

United States Patent [19]

Takaishi et al.

[11] Patent Number: **Des. 300,458**

[45] Date of Patent: **** Mar. 28, 1989**

[54] **AIR CONDITIONER**

[75] Inventors: **Nobuo Takaishi; Akio Suzuki**, both of Osaka, Japan

[73] Assignee: **Sharp Corporation**, Osaka, Japan

[*] Notice: The portion of the term of this patent subsequent to Mar. 28, 2003 has been disclaimed.

[**] Term: **14 Years**

[21] Appl. No.: **864,963**

[22] Filed: **May 19, 1986**

[30] **Foreign Application Priority Data**

Nov. 19, 1985 [JP] Japan 60-48846

[52] U.S. Cl. **D23/353; D23/351**

[58] Field of Search **D23/333, 351, 353-354, D23/357, 361, 385; 98/40.1, 40.2, 40.24, 40.26, 40.27, 42.07, 42.12, 94.2; 261/DIG. 3, DIG. 43; 62/186, 259.1, 262-263**

[56] **References Cited**

U.S. PATENT DOCUMENTS

D. 177,477	4/1956	Mango	D23/353
D. 185,886	8/1959	Egan	D23/354
D. 286,430	10/1986	Miyake et al.	D23/353
3,045,578	7/1962	McGrath	98/40.2
3,274,919	9/1966	Wegman	98/94.2 X

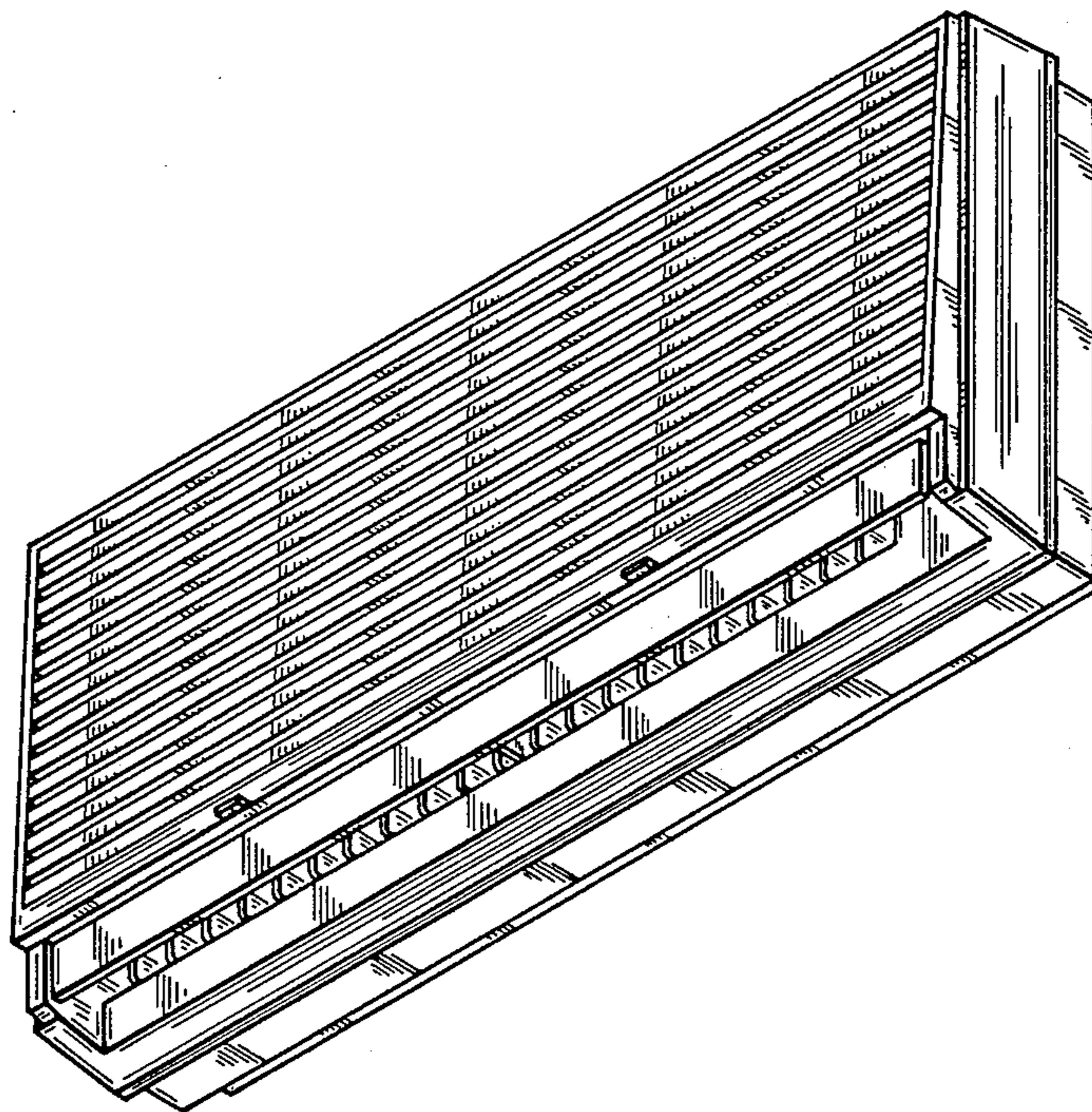
Primary Examiner—Wallace R. Burke
Assistant Examiner—Brian N. Vinson
Attorney, Agent, or Firm—Flehr, Hohbach, Test, Albritton & Herbert

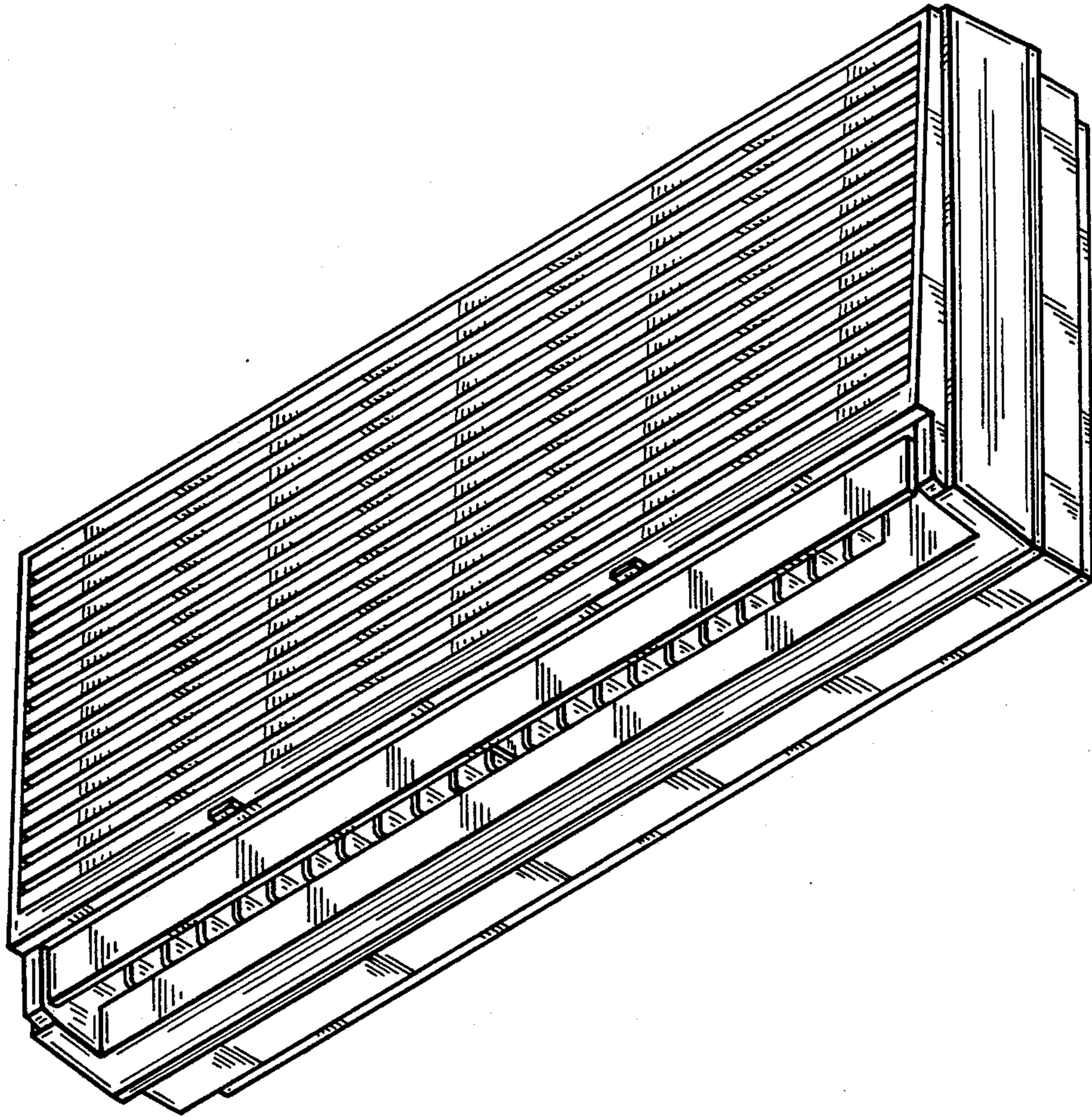
[57] **CLAIM**

The ornamental design for an air conditioner, as shown and described.

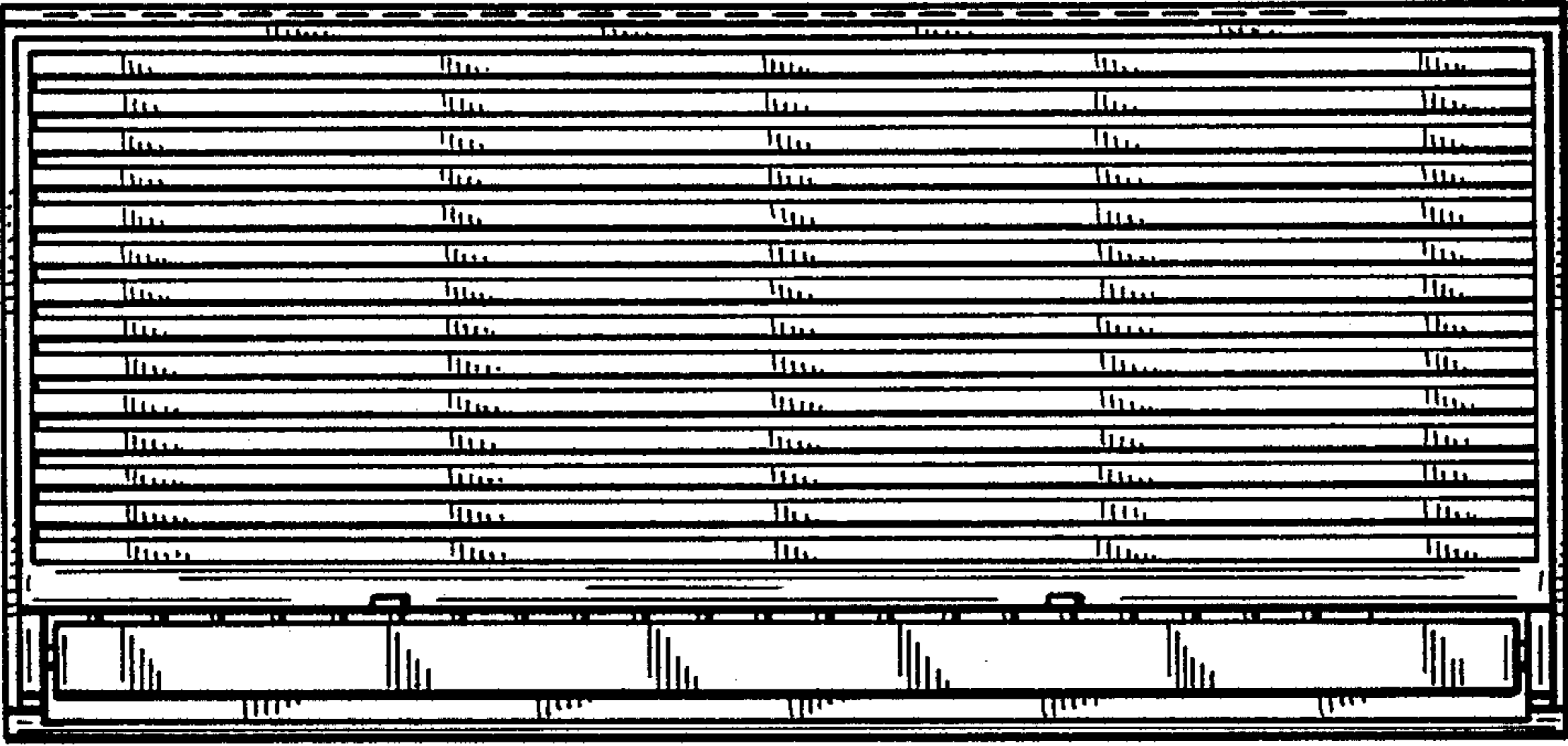
DESCRIPTION

FIG. 1 is a bottom, front perspective view of an air conditioner showing our new design;
FIG. 2 is a front elevational view thereof;
FIG. 3 is a rear elevational view thereof;
FIG. 4 is a top plan view thereof;
FIG. 5 is a bottom plan view thereof;
FIG. 6 is a right side elevational view thereof; and
FIG. 7 is a left side elevational view thereof.

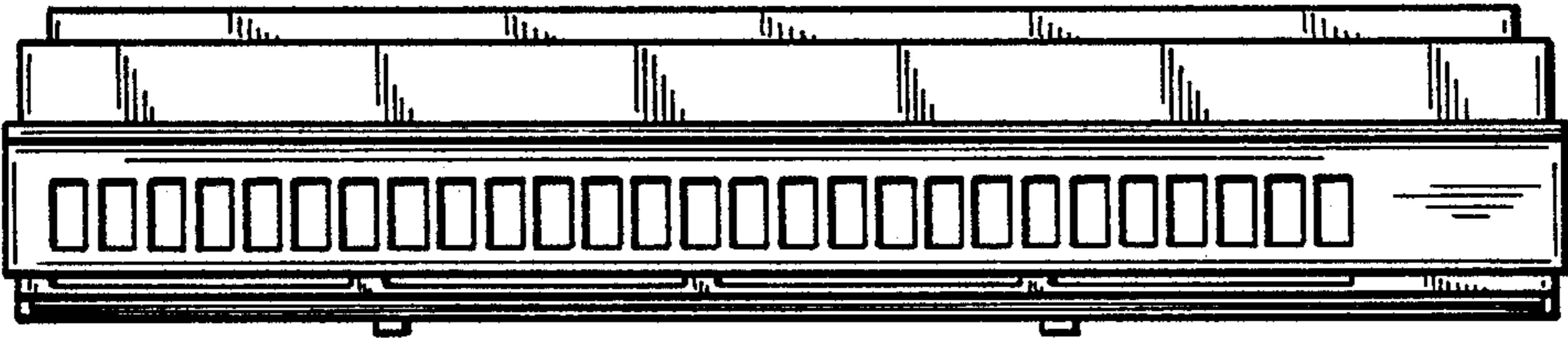




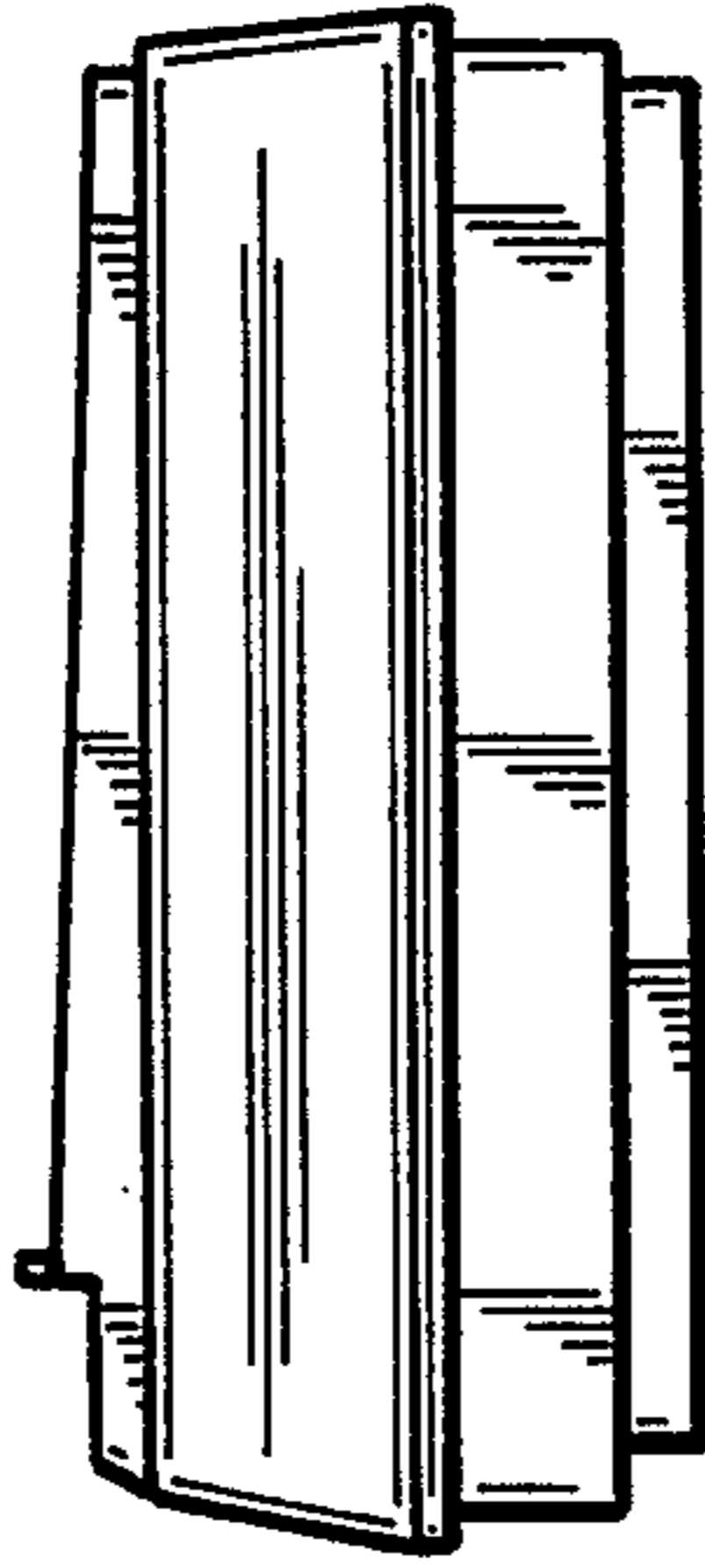
FIG_1



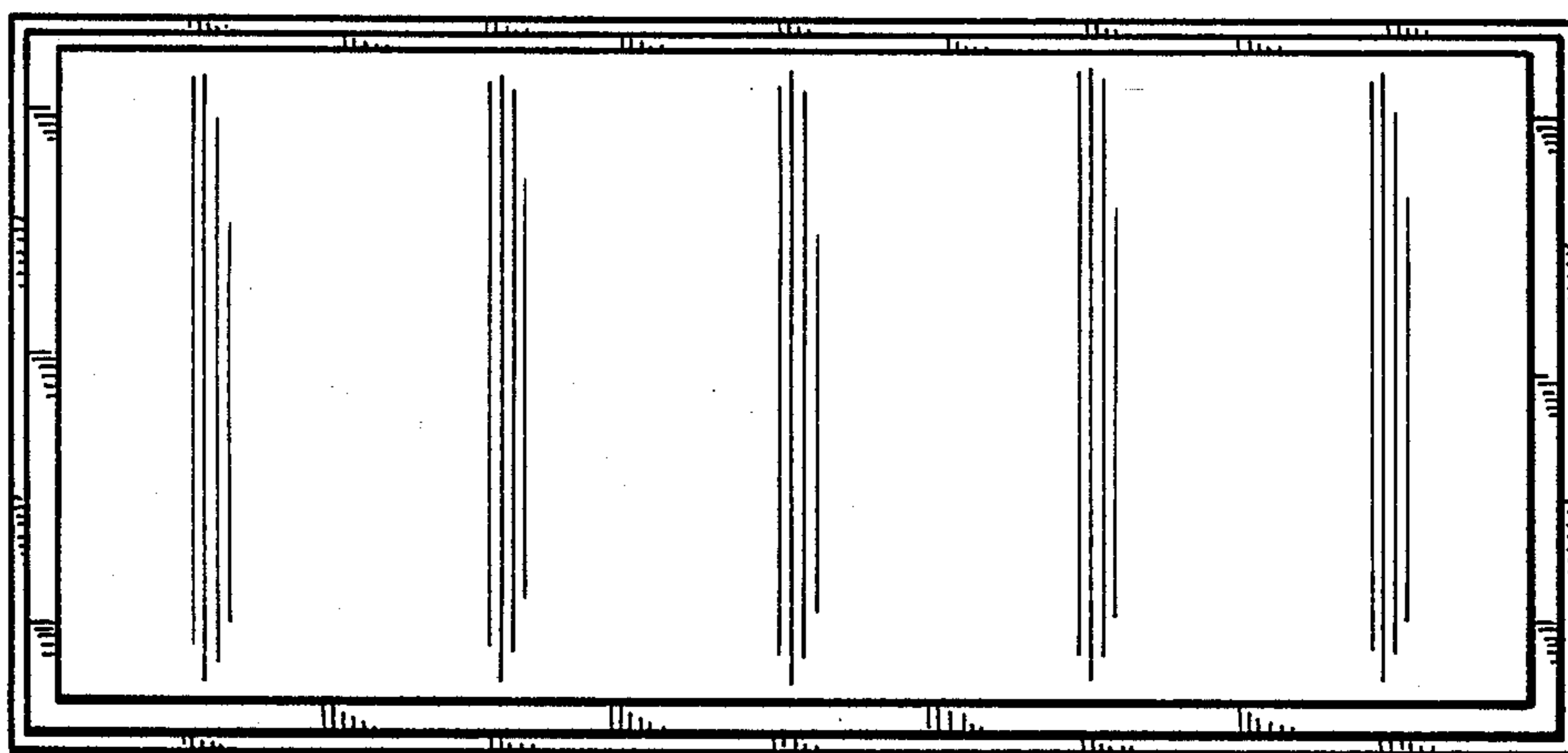
FIG_2



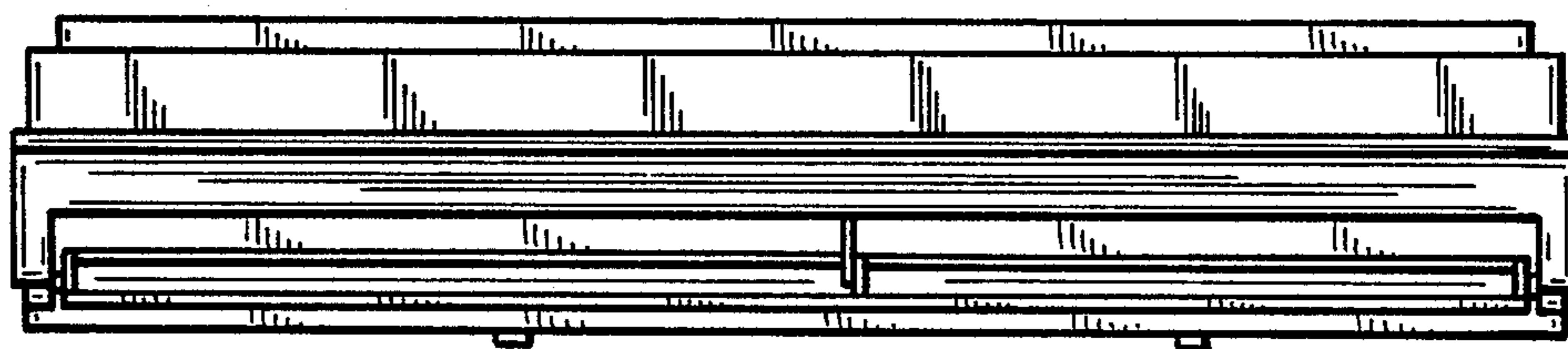
FIG_4



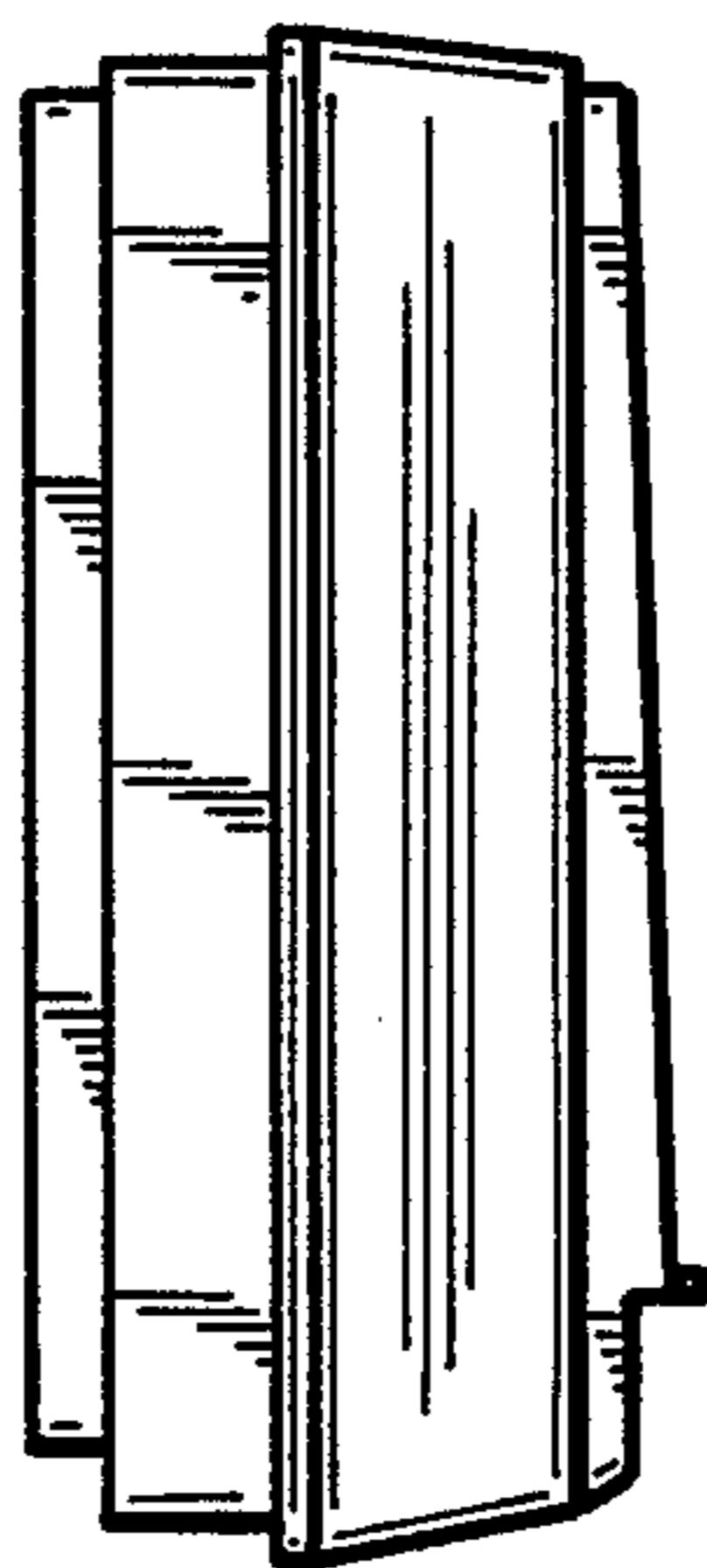
FIG_6



FIG_3



FIG_5



FIG_7