

[54] COMBINED HOSE-ATTACHED PRESSURE SPRAYER AND CONNECTOR FOR ATTACHMENT TO AN ADDITIVE FLUID DISPENSER

[75] Inventors: Rudy R. Proctor, Costa Mesa; Fred M. Reinstein, Encino, both of Calif.

[73] Assignee: Turbo Tek Enterprises, Los Angeles, Calif.

[**] Term: 14 Years

[21] Appl. No.: 77,787

[22] Filed: Jul. 27, 1987

[52] U.S. Cl. D23/226; D23/223

[58] Field of Search D23/213-214, D23/223-224, 226, 229; D32/1; 239/152, 154, 195, 164-165, 280-281, 525, 532, 569; 222/174, 523

[56] References Cited

U.S. PATENT DOCUMENTS

- D. 102,576 12/1936 Ofeldt .
- D. 155,508 10/1949 Heimburger .
- D. 230,641 3/1974 Mowbray .
- D. 241,544 9/1976 Whitbread D23/213
- D. 243,532 3/1977 Fyffe .
- D. 270,560 9/1983 Clivio et al. .
- D. 283,832 5/1986 Weinstein et al. .
- D. 288,838 3/1987 Hengesbach D23/213
- D. 292,133 9/1987 Proctor et al. D32/1
- 1,169,524 1/1916 Baker .
- 2,215,375 9/1940 Ortman .
- 2,218,790 10/1940 Gifford .

- 2,257,585 9/1941 Auvil .
- 2,289,889 7/1942 Stick et al. .
- 2,337,149 12/1943 Bullock .
- 3,602,273 8/1971 Flentge et al. 222/566 X
- 3,670,967 6/1972 Fahlin et al. 239/525 X
- 3,915,382 10/1975 Davis 239/281
- 3,961,754 6/1976 Kuhns et al. 239/525 X
- 4,174,068 11/1979 Rudolph .
- 4,403,737 9/1983 Hancock .

OTHER PUBLICATIONS

Gilmour Mfg. Co., "Hosemaster" catalogue-1965, p. 62-S, Acid-Cleaning Wand.

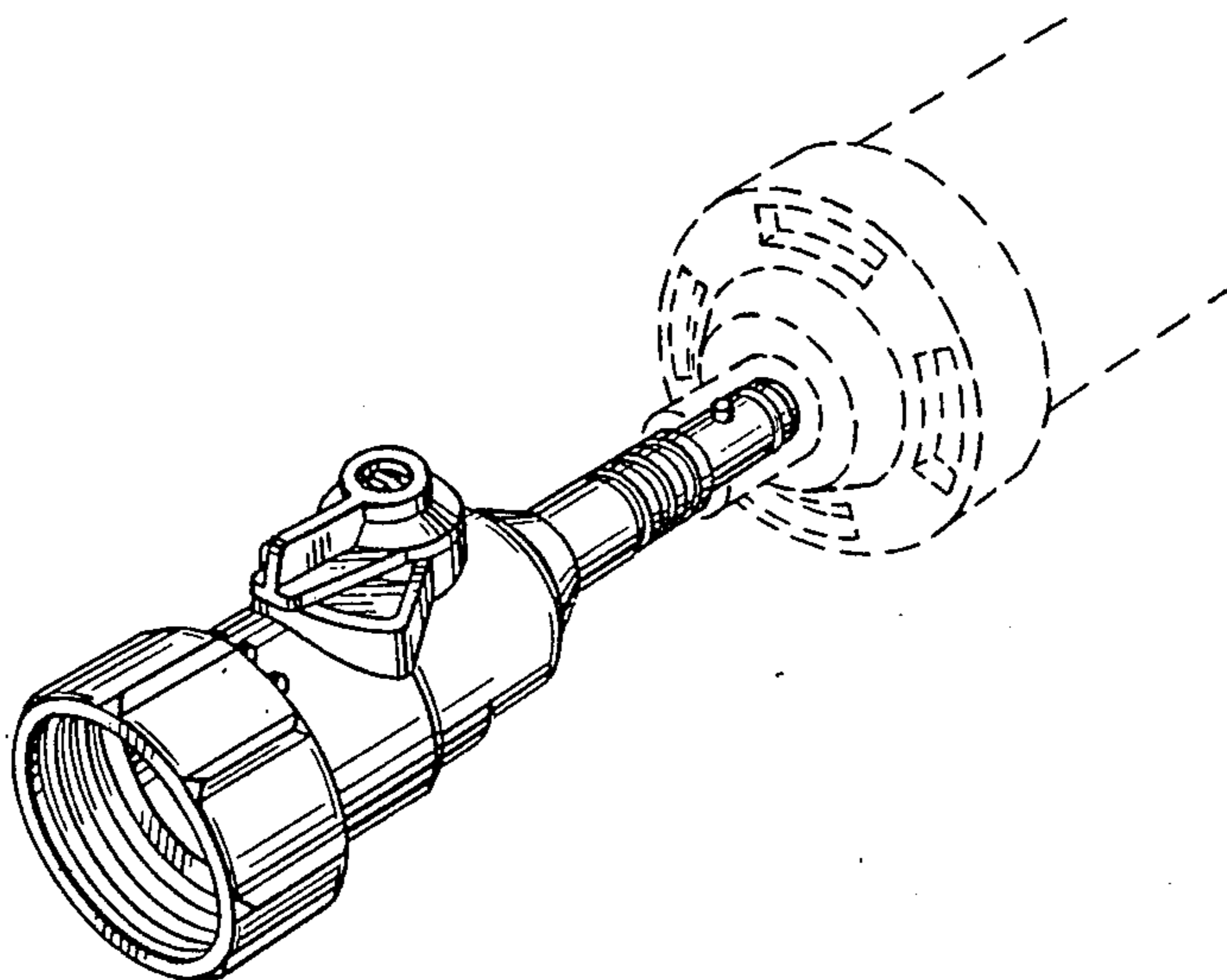
Primary Examiner—Wallace R. Burke
Assistant Examiner—Brian N. Vinson
Attorney, Agent, or Firm—Fleit, Jacobson, Cohn & Price

[57] CLAIM

The ornamental design for combined hose-attached pressure sprayer and connector for attachment to an additive fluid dispenser, as shown and described.

DESCRIPTION

FIG. 1 is a top perspective view of a combined hose-attached pressure sprayer and connector for attachment to an additive fluid dispenser showing our new design; FIG. 2 is a side elevational view thereof, the opposite side being a mirror image; FIG. 3 is a top plan view thereof; FIG. 4 is a bottom plan view thereof; FIG. 5 is an end elevational view thereof; and FIG. 6 is an opposite end elevational view thereof. The partial broken line showing of the additive fluid dispenser in FIGS. 1 and 2 is for illustrative purposes only and forms no part of the claimed design.



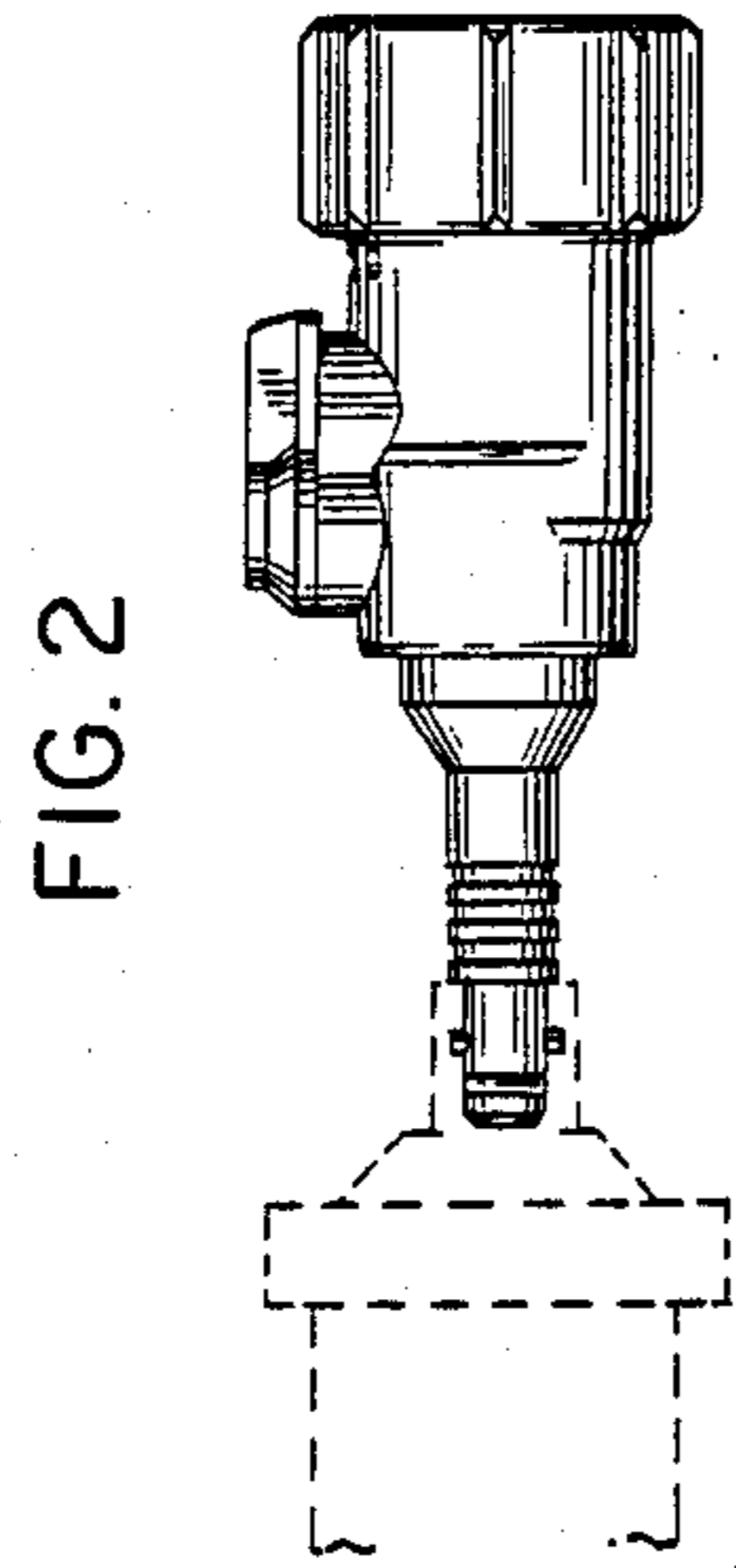


FIG. 2

FIG. 4

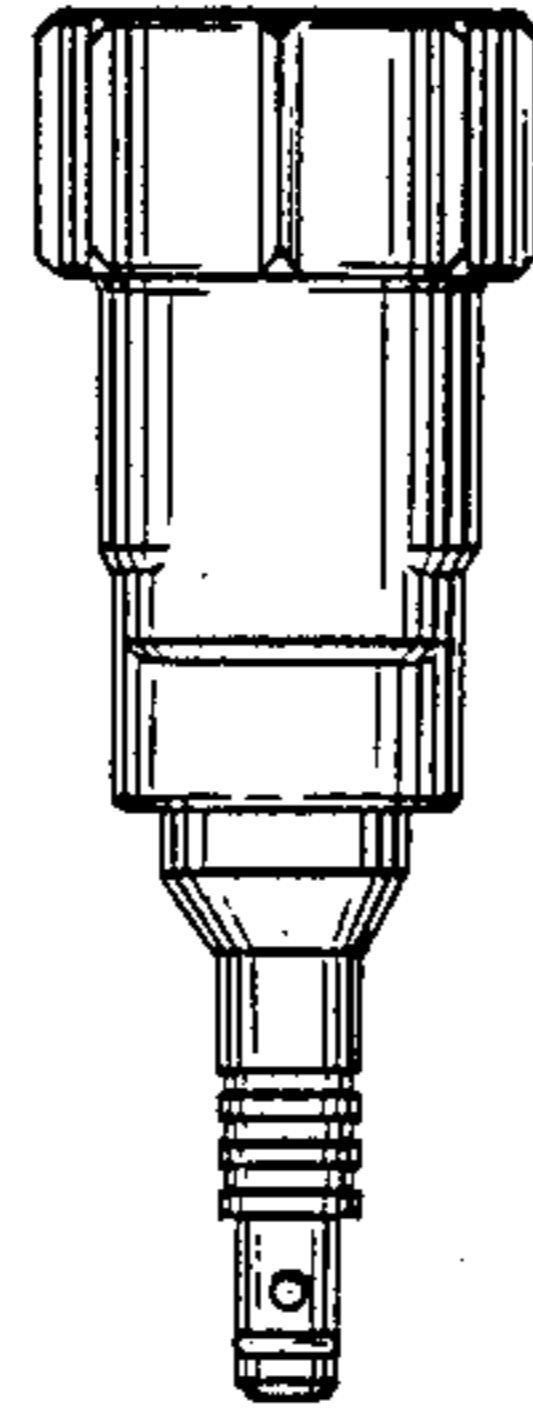


FIG. 6

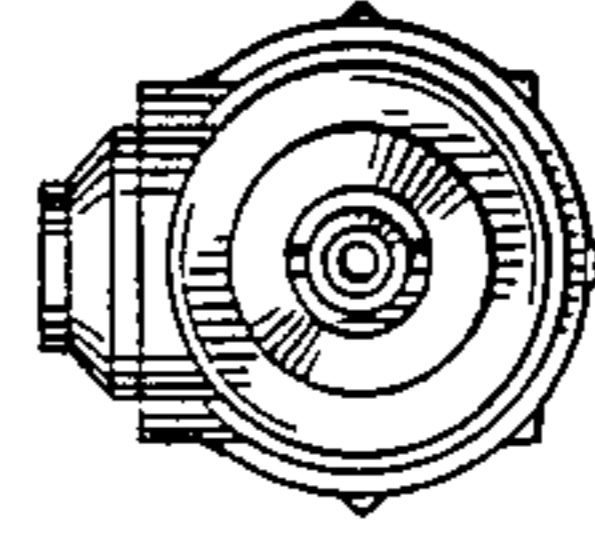


FIG. 5

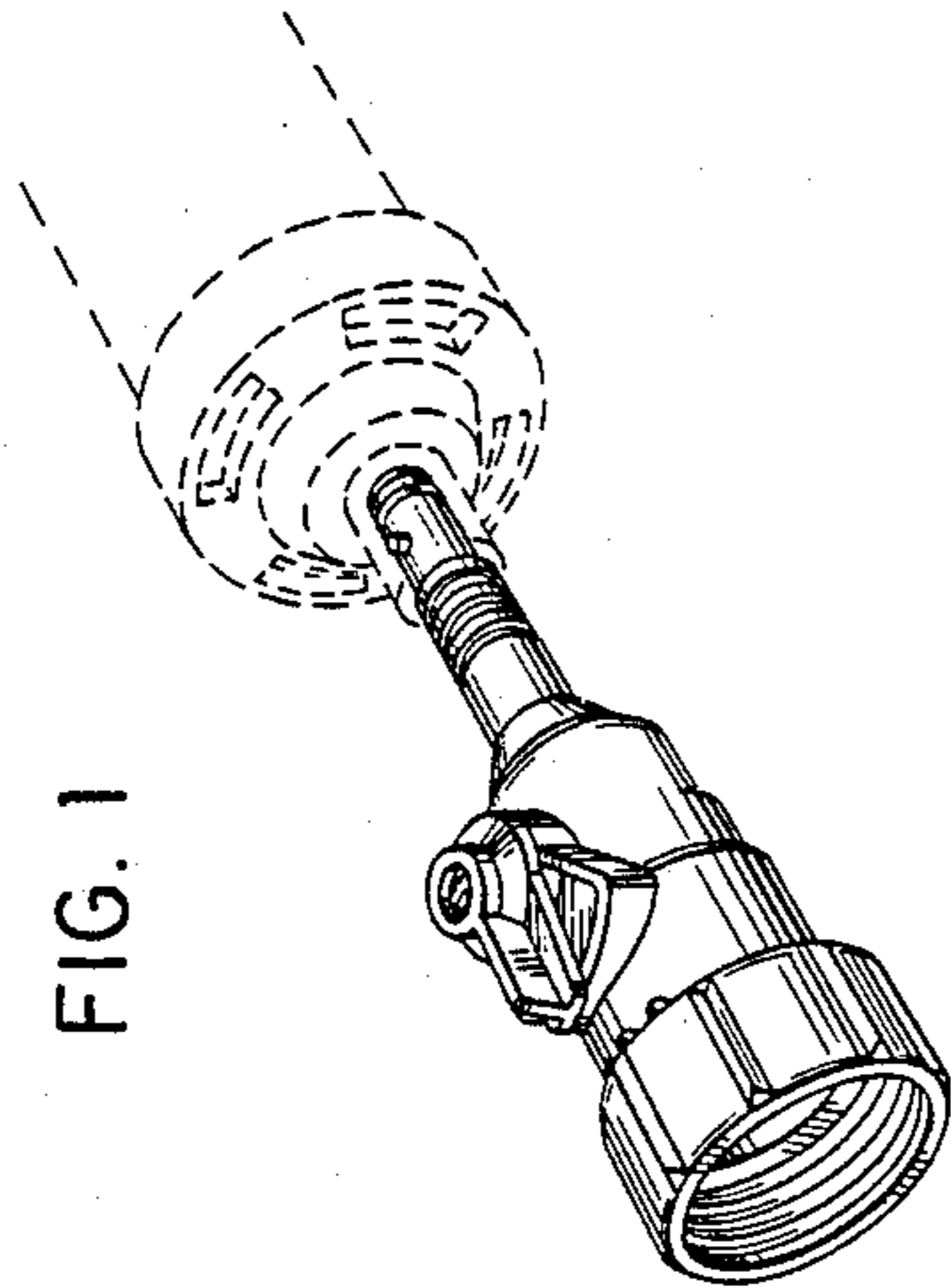
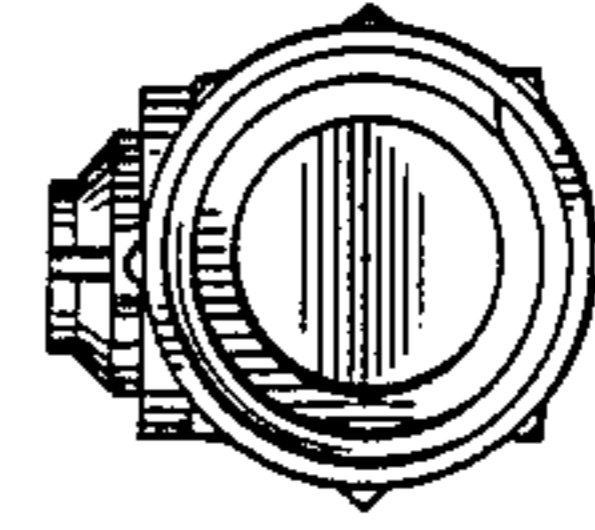


FIG. 1

FIG. 3

