

[54] FISHING REEL

[75] Inventors: Frank E. Epperson, Aurora, Colo.;
Craig W. Smith, Oak View; Randall
E. Ohnemus, Ventura, both of Calif.

[73] Assignee: F.M.&G., Inc., Aurora, Colo.

[**] Term: 14 Years

[21] Appl. No.: 871,622

[22] Filed: Jun. 5, 1986

[52] U.S. Cl. D22/141

[58] Field of Search D22/141; 242/84.1 R,
242/84.2 R, 84.2 J

[56] References Cited

U.S. PATENT DOCUMENTS

D. 192,430 3/1962 Miller et al. D22/141

D. 255,823 7/1980 Deguchi et al. D22/141
D. 273,886 5/1984 Fee et al. D22/141

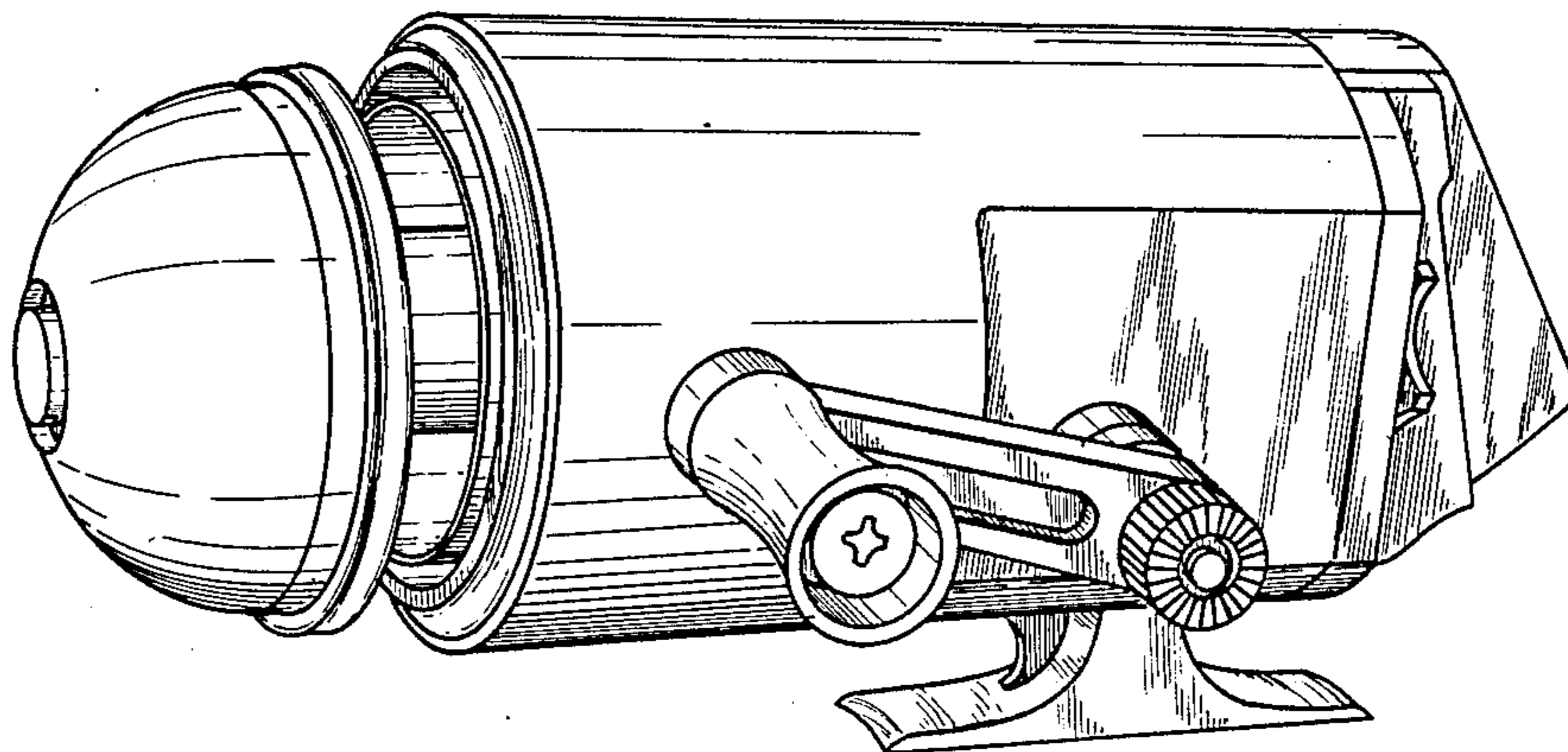
Primary Examiner—A. Hugo Word
Attorney, Agent, or Firm—John E. Reilly

[57] CLAIM

The ornamental design for a fishing reel, as shown and described.

DESCRIPTION

FIG. 1 is a perspective view of a fishing reel showing our new design;
FIG. 2 is a front view in elevation thereof;
FIG. 3 is one end view thereof;
FIG. 4 is a rear view in elevation thereof;
FIG. 5 is an opposite end view to that shown in FIG. 3;
FIG. 6 is a top plan view thereof; and
FIG. 7 is a bottom plan view thereof.



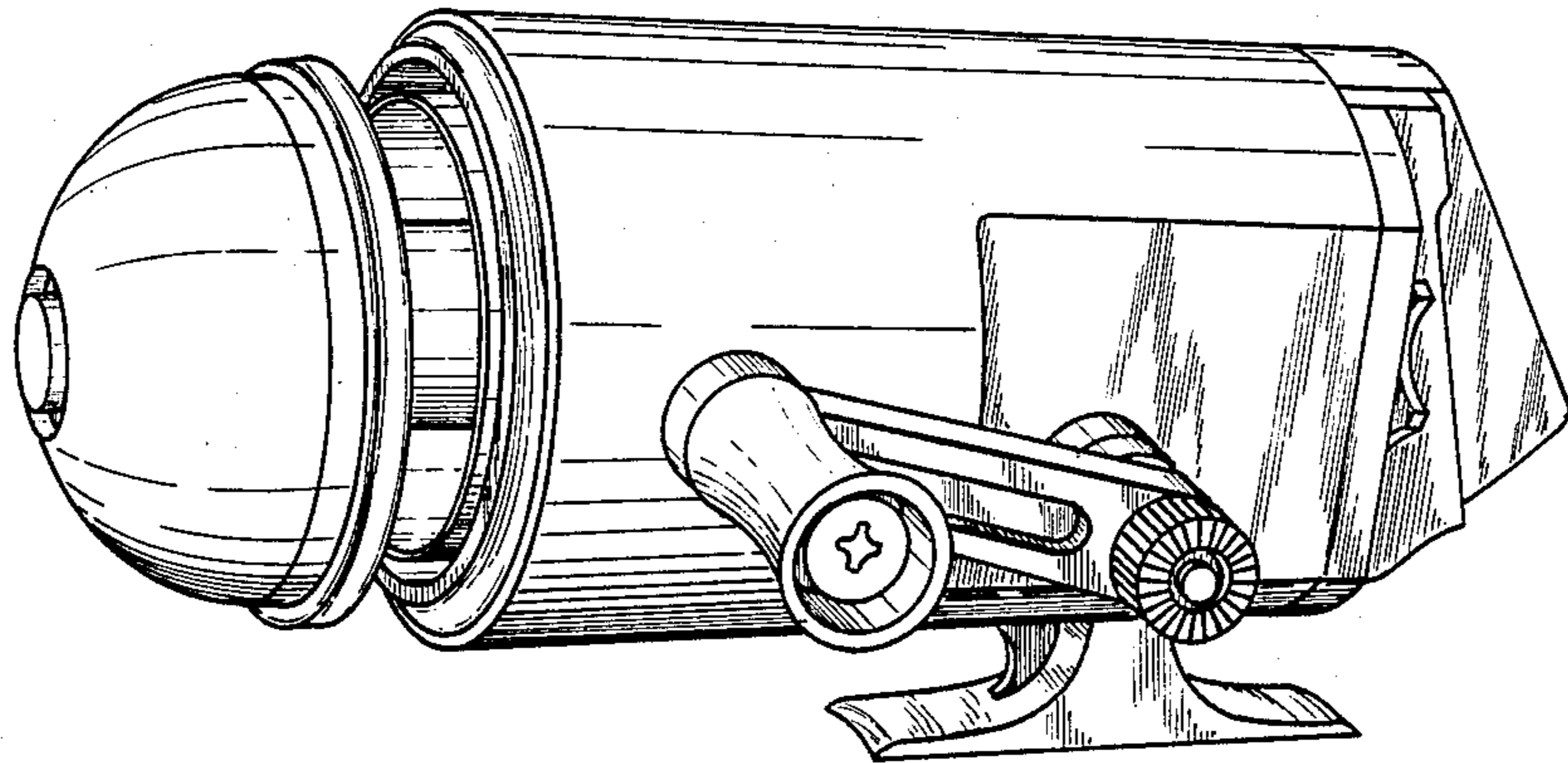


FIG. 1

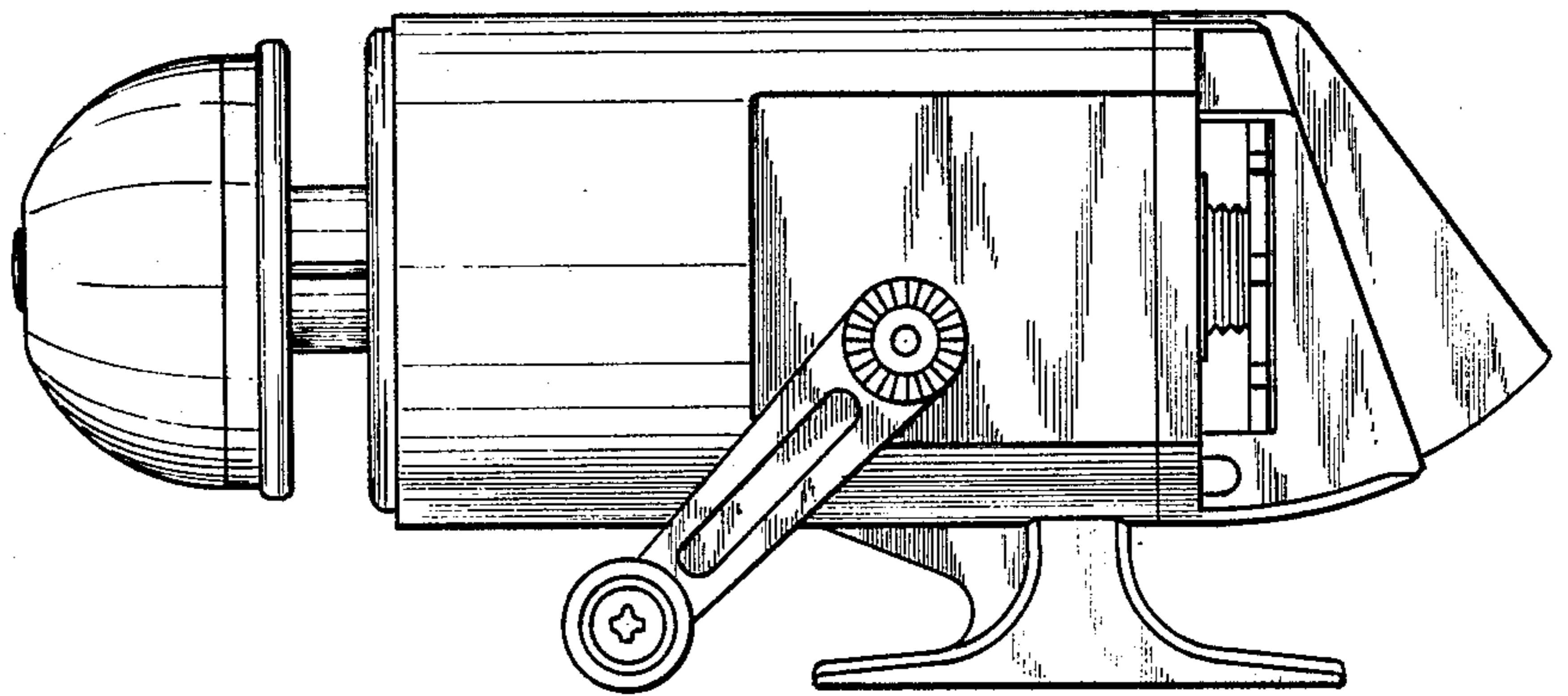


FIG. 2

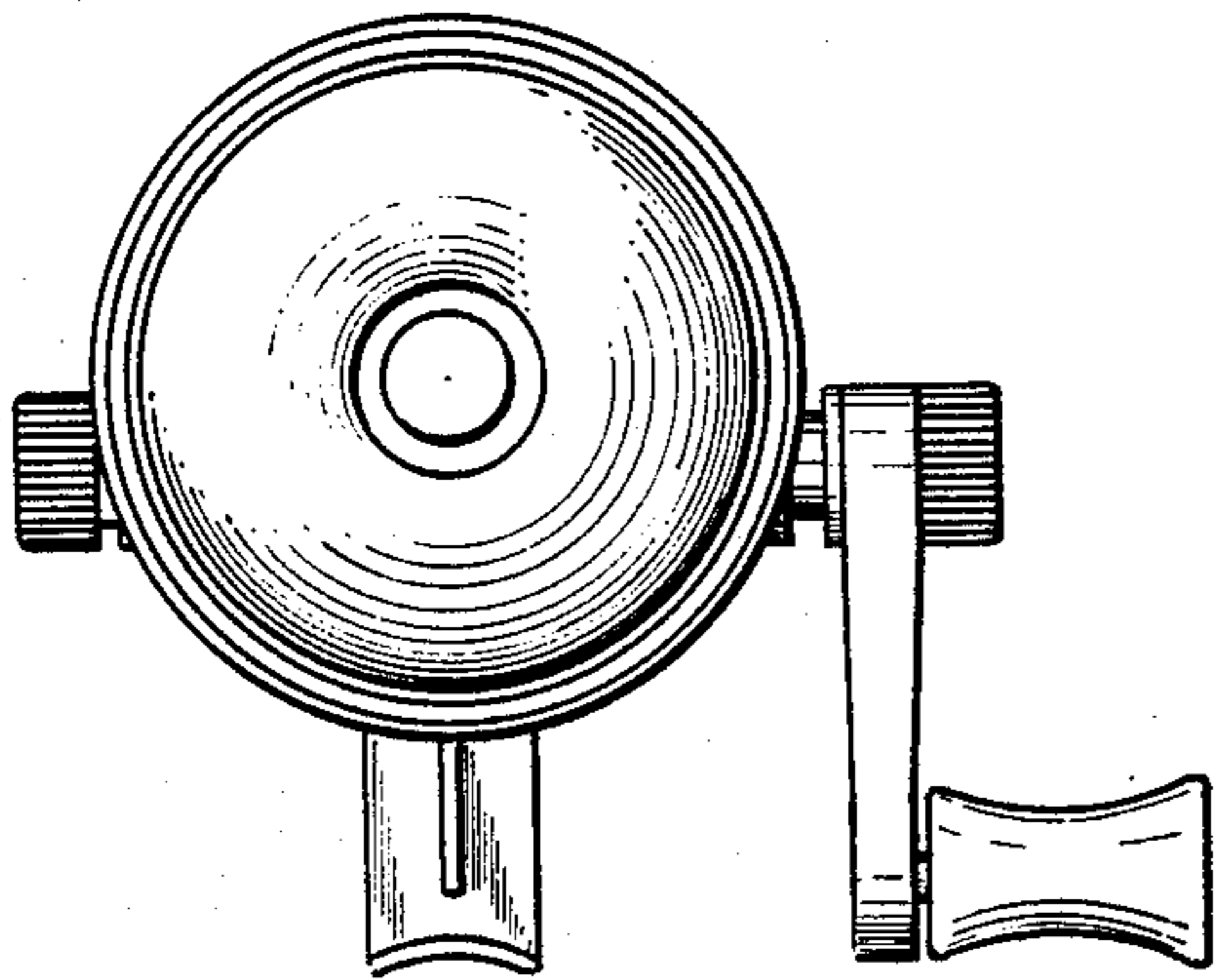


FIG. 3

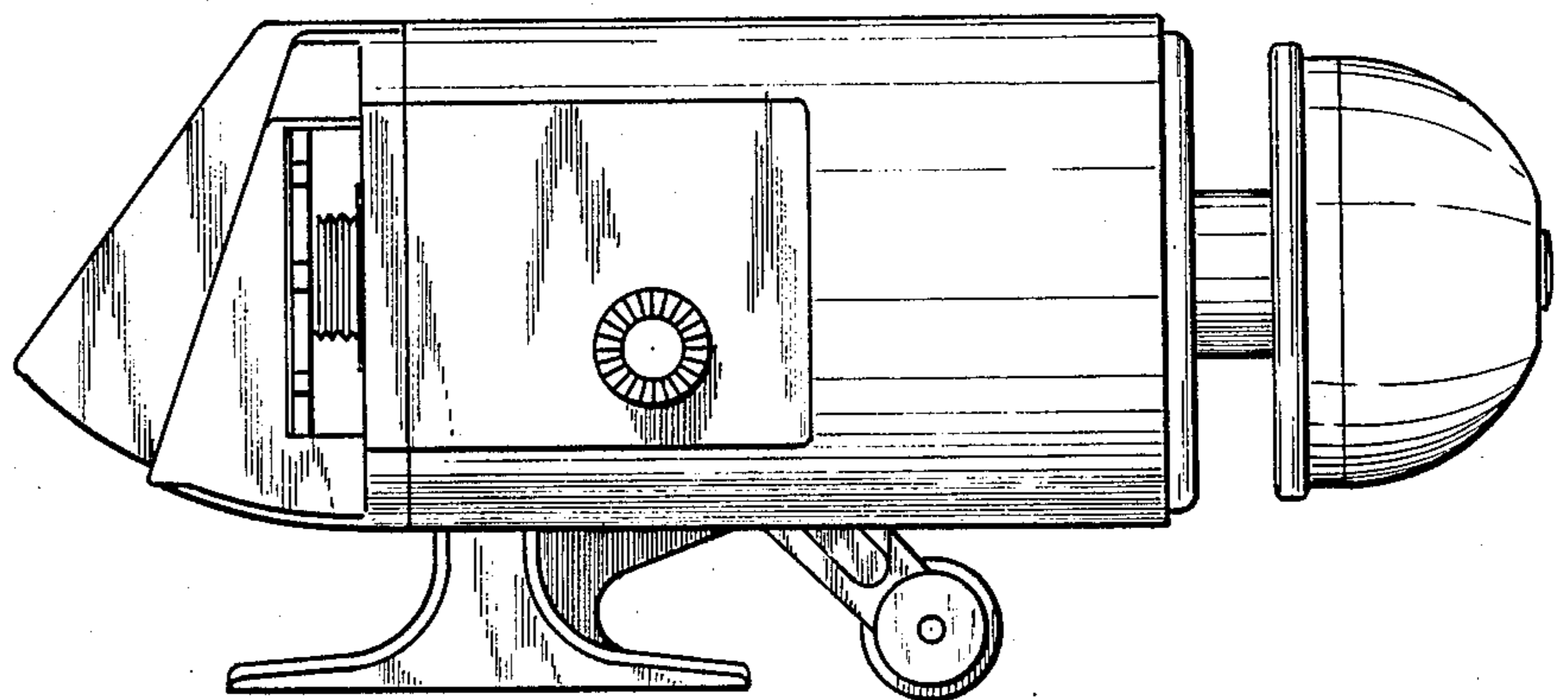


FIG. 4

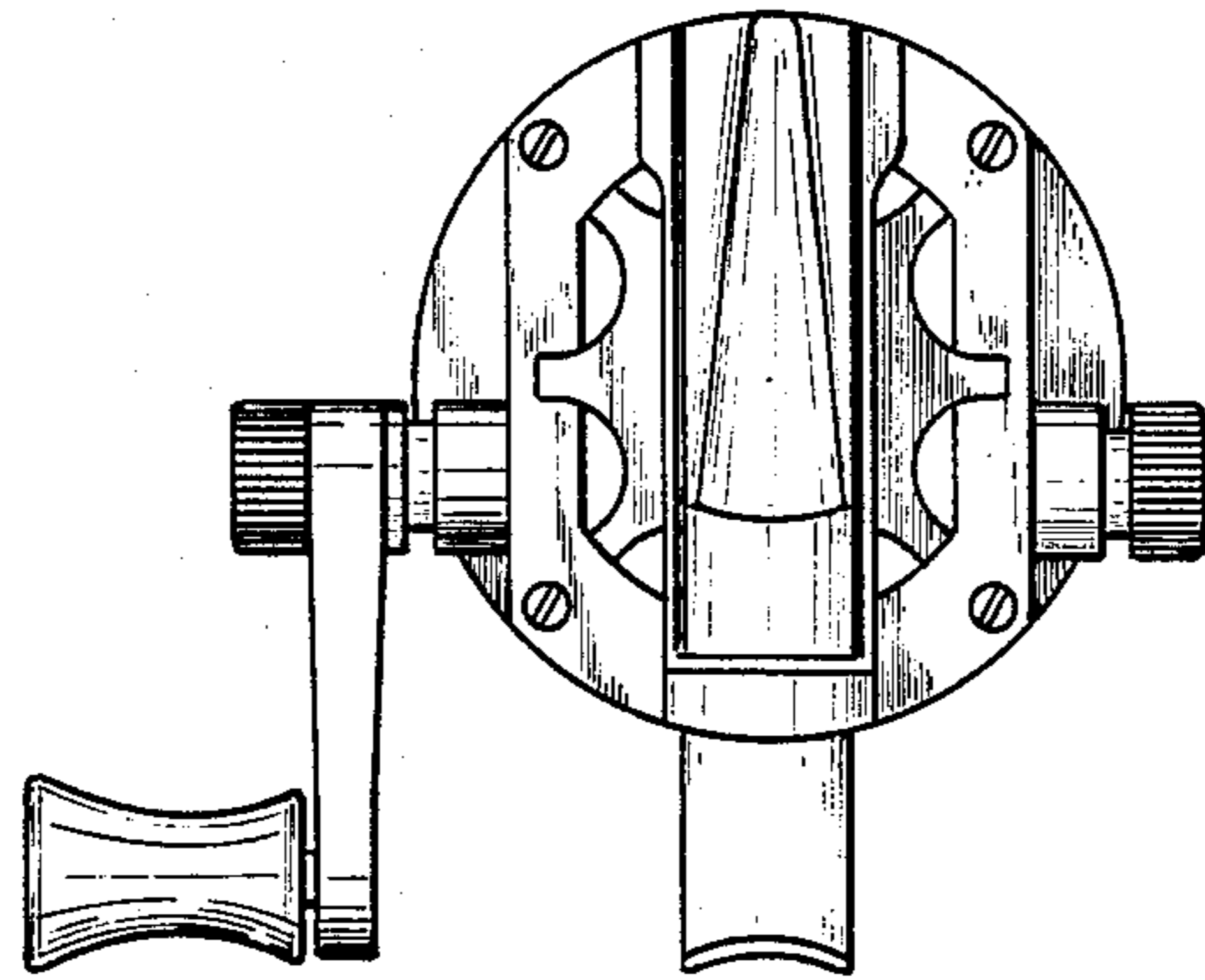


FIG. 5

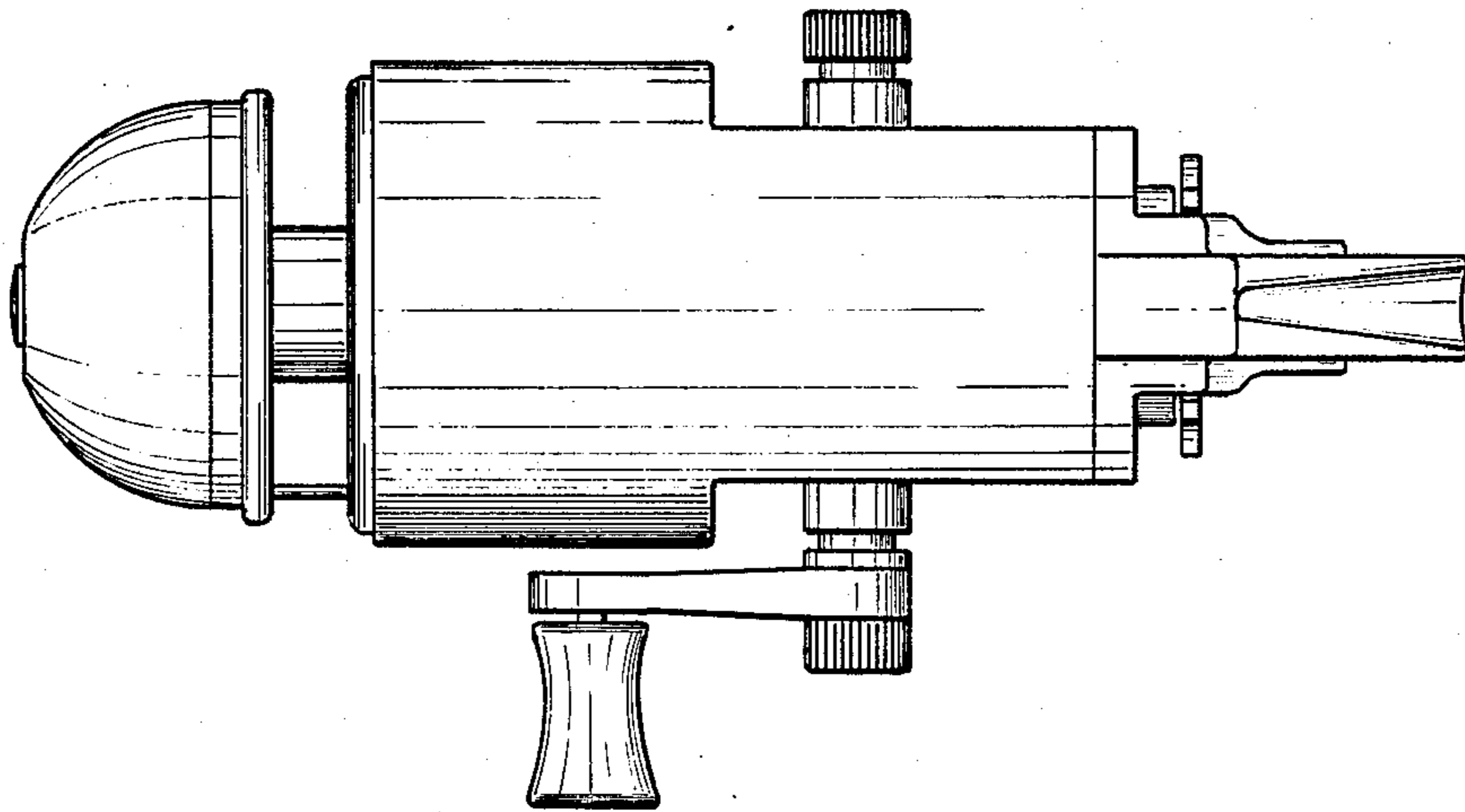


FIG. 6

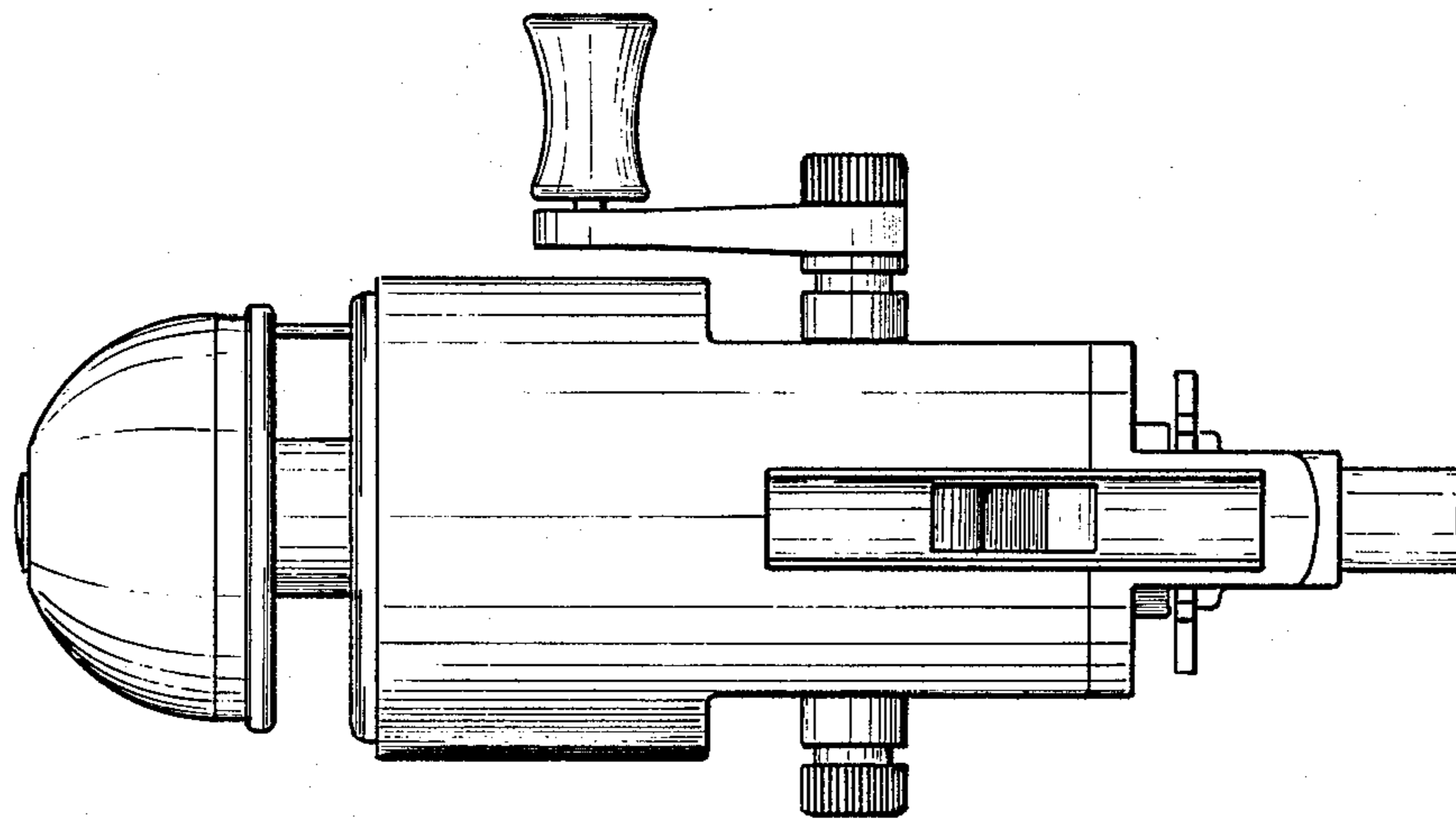


FIG. 7

UNITED STATES PATENT AND TRADEMARK OFFICE
CERTIFICATE OF CORRECTION

PATENT NO. : Des. 300,452
DATED : March 28, 1989
INVENTOR(S) : Frank E. Epperson et al

Page 1 of 4

It is certified that error appears in the above-identified patent and that said Letters Patent is hereby corrected as shown below:

The title page should be deleted to appear as per attached title page.

The sheet of drawing consisting of Figs. 1-7 should be added as per attached sheet.

Signed and Sealed this
Eleventh Day of September, 1990

Attest:

Attesting Officer

HARRY F. MANBECK, JR.

Commissioner of Patents and Trademarks

United States Patent [19]

Epperson et al.

[11] Patent Number: Des. 300,452

[45] Date of Patent: ** Mar. 28, 1989

[54] FISHING REEL

[75] Inventors: Frank E. Epperson, Aurora, Colo.;
Craig W. Smith, Oak View; Randall
E. Ohnemus, Ventura, both of Calif.

[73] Assignee: F.M.&G., Inc., Aurora, Colo.

[**] Term: 14 Years

[21] Appl. No.: 871,622

[22] Filed: Jun. 5, 1986

[52] U.S. Cl. D22/141

[58] Field of Search D22/141; 242/84.1 R,
242/84.2 R, 84.2 J

[56] References Cited

U.S. PATENT DOCUMENTS

D. 192,430 3/1962 Miller et al. D22/141

D. 255,823 7/1980 Deguchi et al. D22/141
D. 273,886 5/1984 Fee et al. D22/141

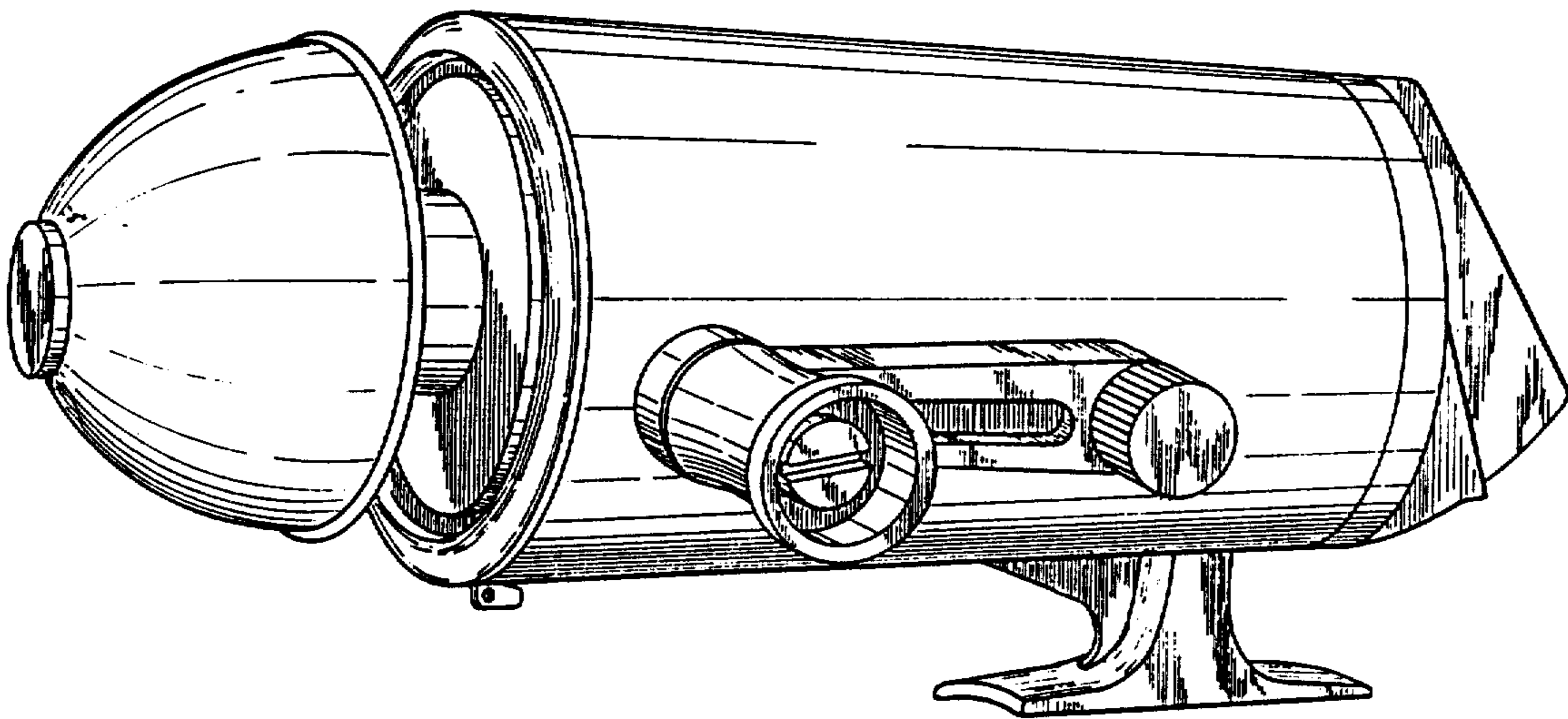
Primary Examiner—A. Hugo Word
Attorney, Agent, or Firm—John E. Reilly

[57] CLAIM

The ornamental design for a fishing reel, as shown and described.

DESCRIPTION

FIG. 1 is a perspective view of a fishing reel showing our new design;
FIG. 2 is a front view in elevation thereof;
FIG. 3 is one end view thereof;
FIG. 4 is a rear view in elevation thereof;
FIG. 5 is an opposite end view to that shown in FIG. 3;
FIG. 6 is a top plan view thereof; and
FIG. 7 is a bottom plan view thereof.



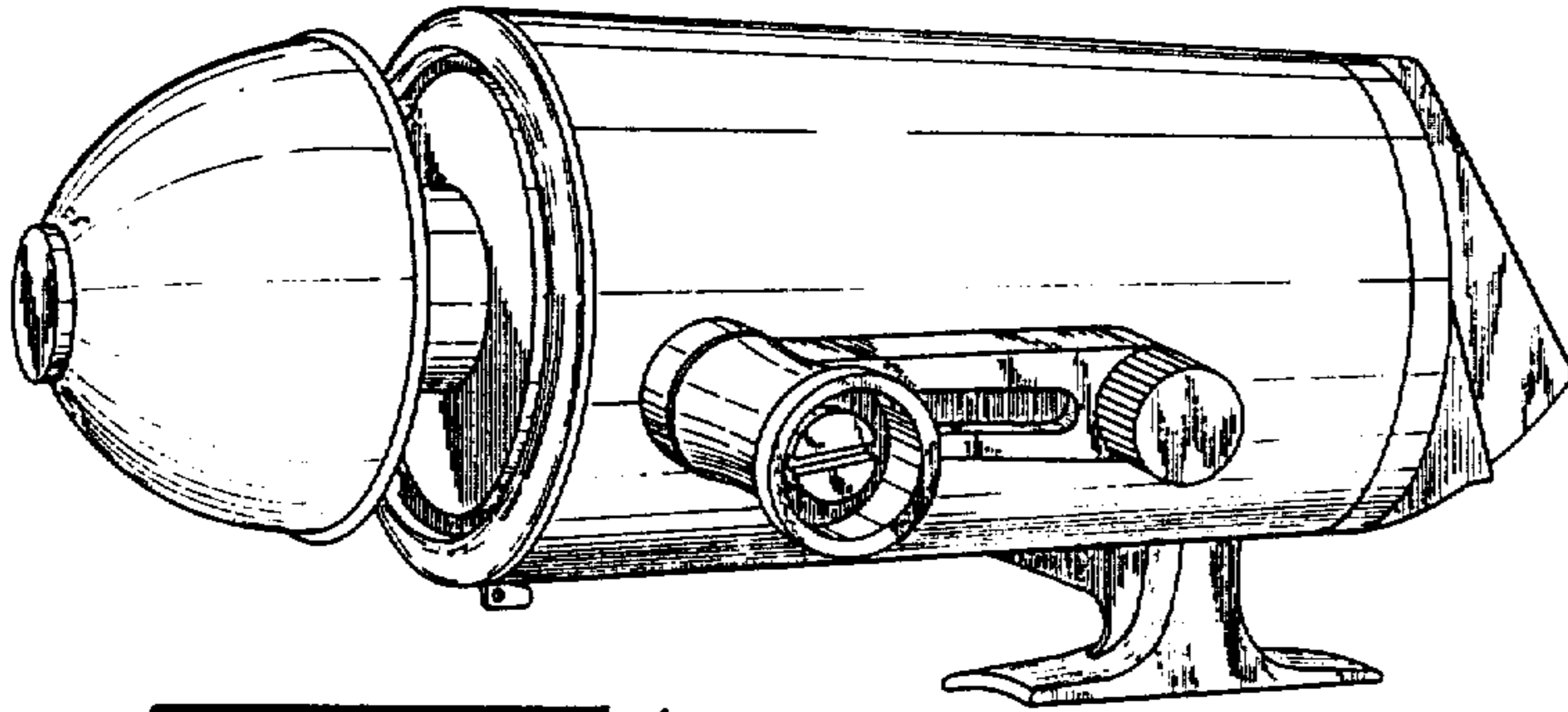


FIG 1

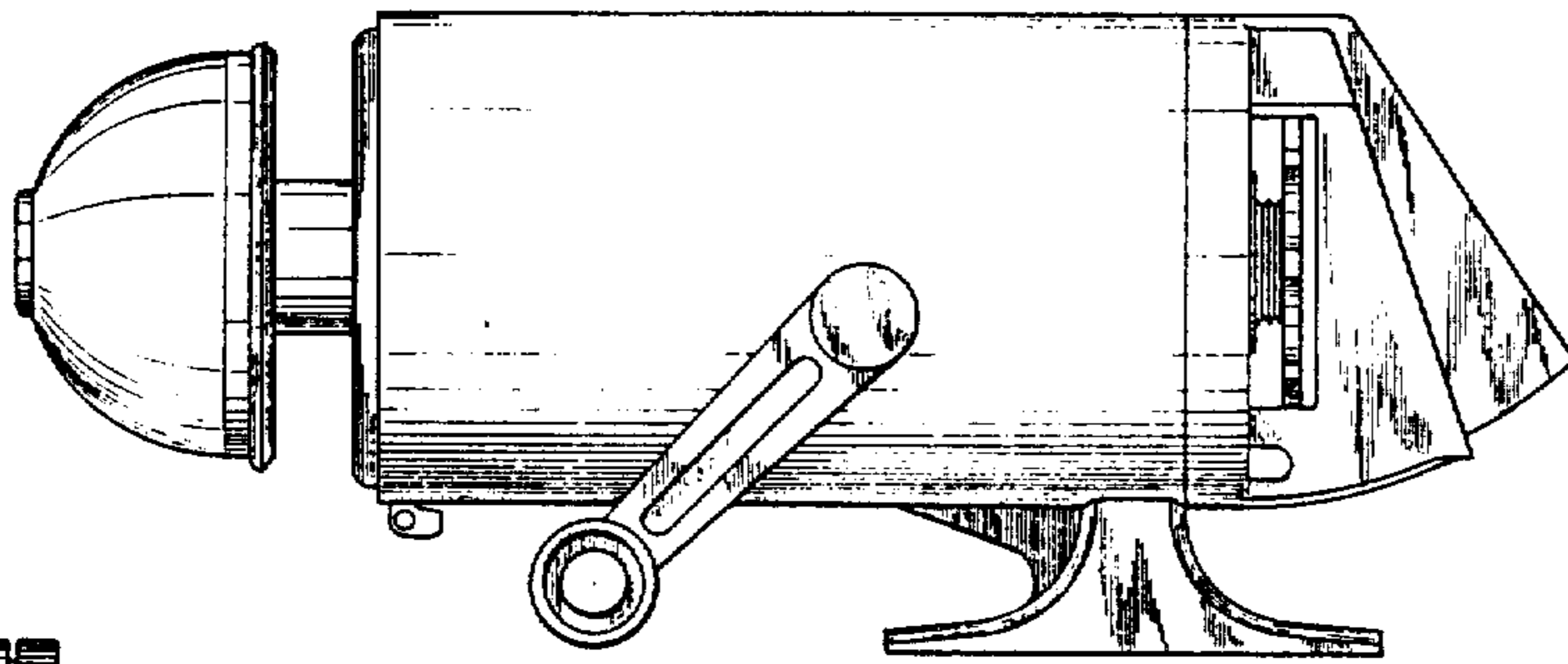


FIG 2

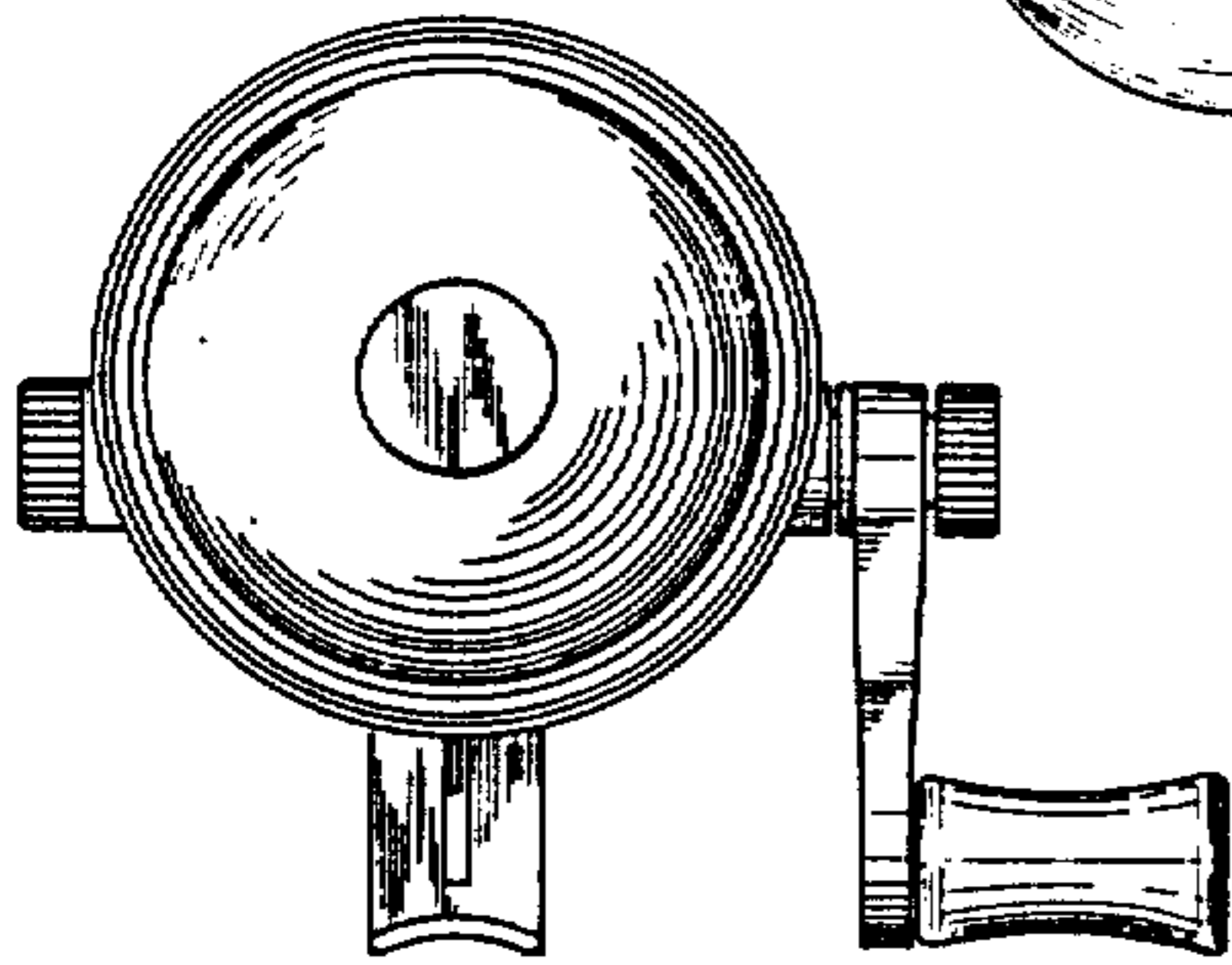


FIG 3

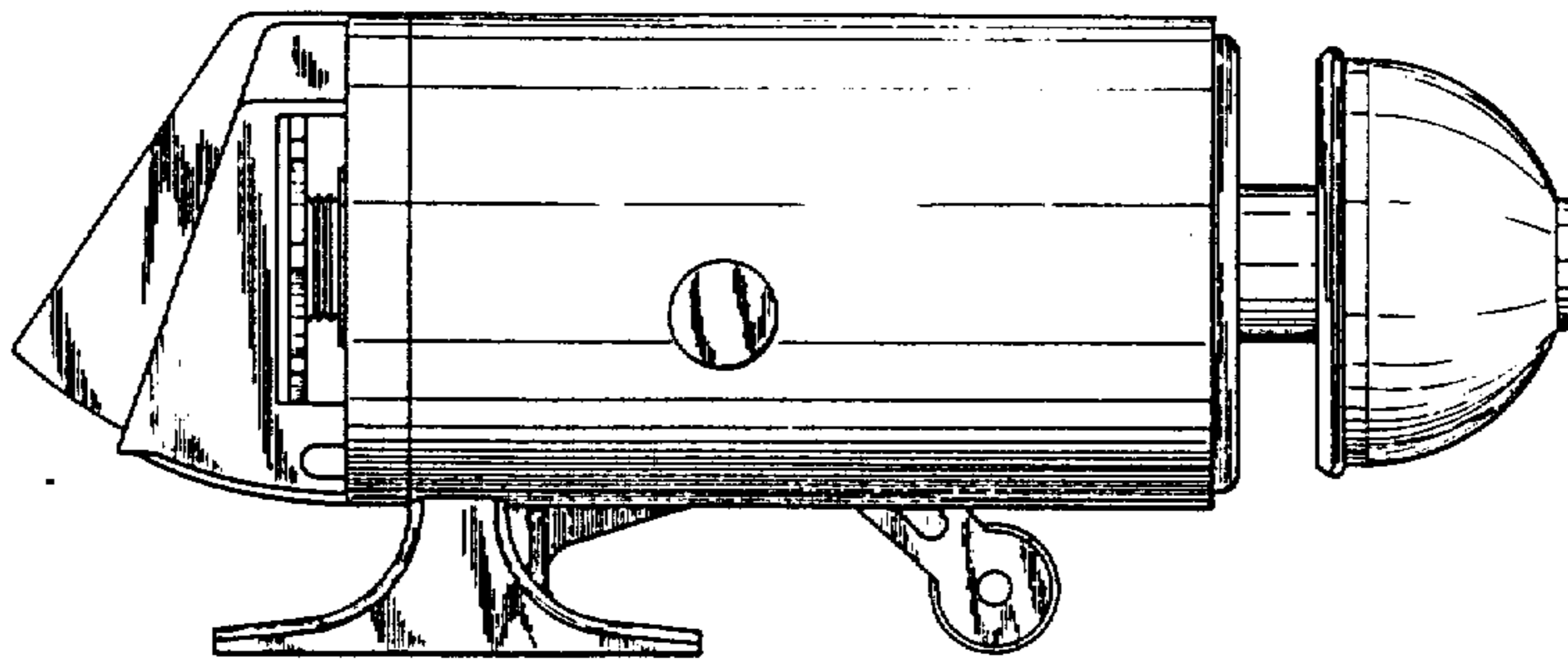


FIG 4

