

[54] **MOTORIZED FISHING REEL**

[76] Inventor: **Walter J. Steffan**, P.O. Box 116,  
Tygh Valley, Oreg. 97063

[\*\*] Term: **14 Years**

[21] Appl. No.: **59,570**

[22] Filed: **Jun. 8, 1987**

[52] U.S. Cl. .... **D22/140**

[58] Field of Search ..... **242/84.1 R, 84.2 R,  
242/84.2 J; D22/140**

[56] **References Cited**

**U.S. PATENT DOCUMENTS**

- D. 176,408 12/1955 Fowler ..... D22/140
- D. 259,503 6/1981 Huffman ..... D22/140
- D. 284,209 6/1986 Iwama et al. .... D22/140

*Primary Examiner*—A. Hugo Word  
*Attorney, Agent, or Firm*—Eugene M. Eckelman

[57] **CLAIM**

The ornamental design for a motorized fishing reel, as shown and described.

**DESCRIPTION**

FIG. 1 is a perspective view of a motorized fishing reel showing my new design, a portion of a fish pole being shown in phantom;

FIG. 2 is an end elevational view taken from the right side of FIG. 1;

FIG. 3 is an end elevational view taken from the left side of FIG. 1;

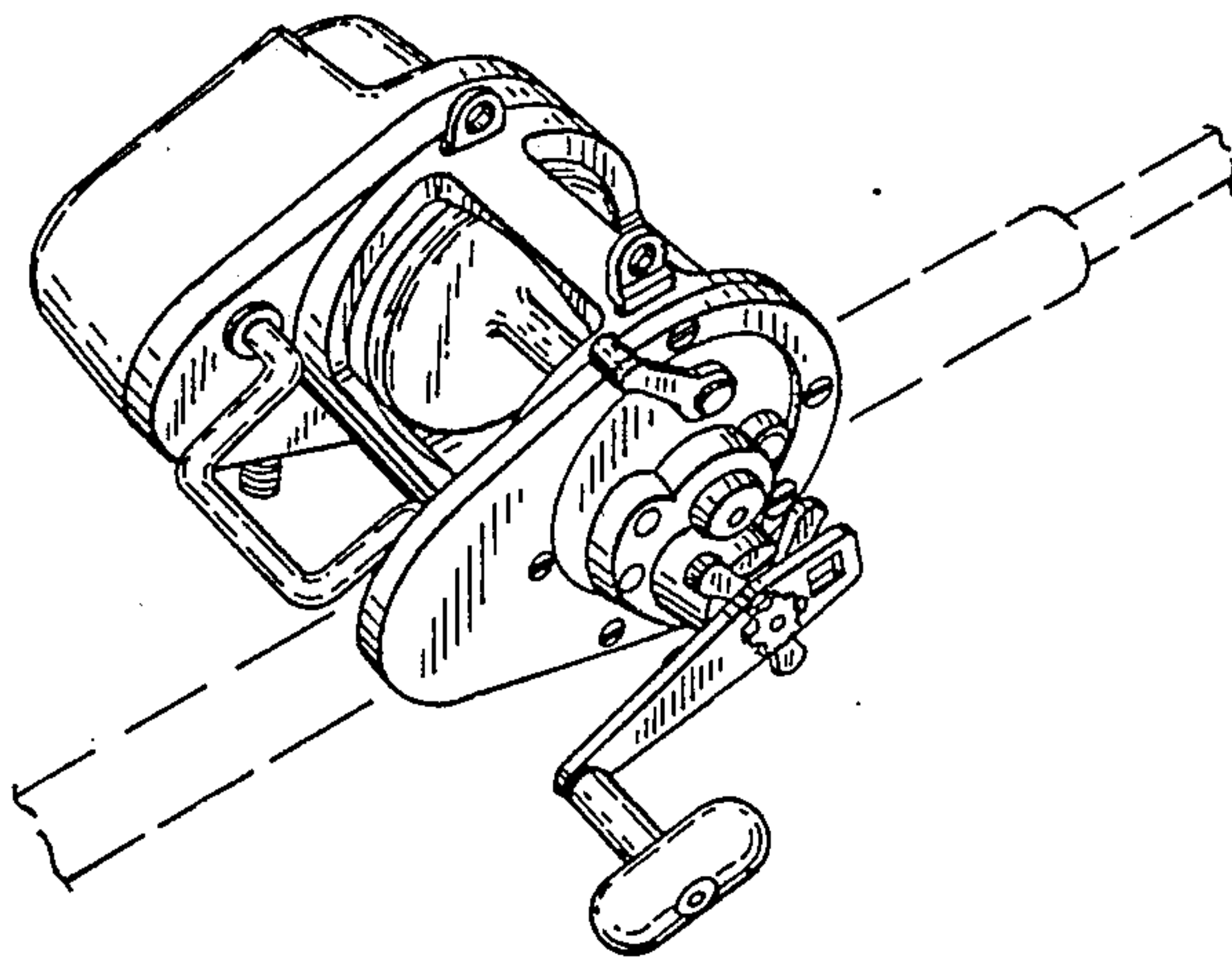
FIG. 4 is a top plan view;

FIG. 5 is a bottom plan view;

FIG. 6 is a front elevational view; and

FIG. 7 is a rear elevational view.

The broken line showing of the fish pole is for illustrative purposes only and forms no part of the claimed design.



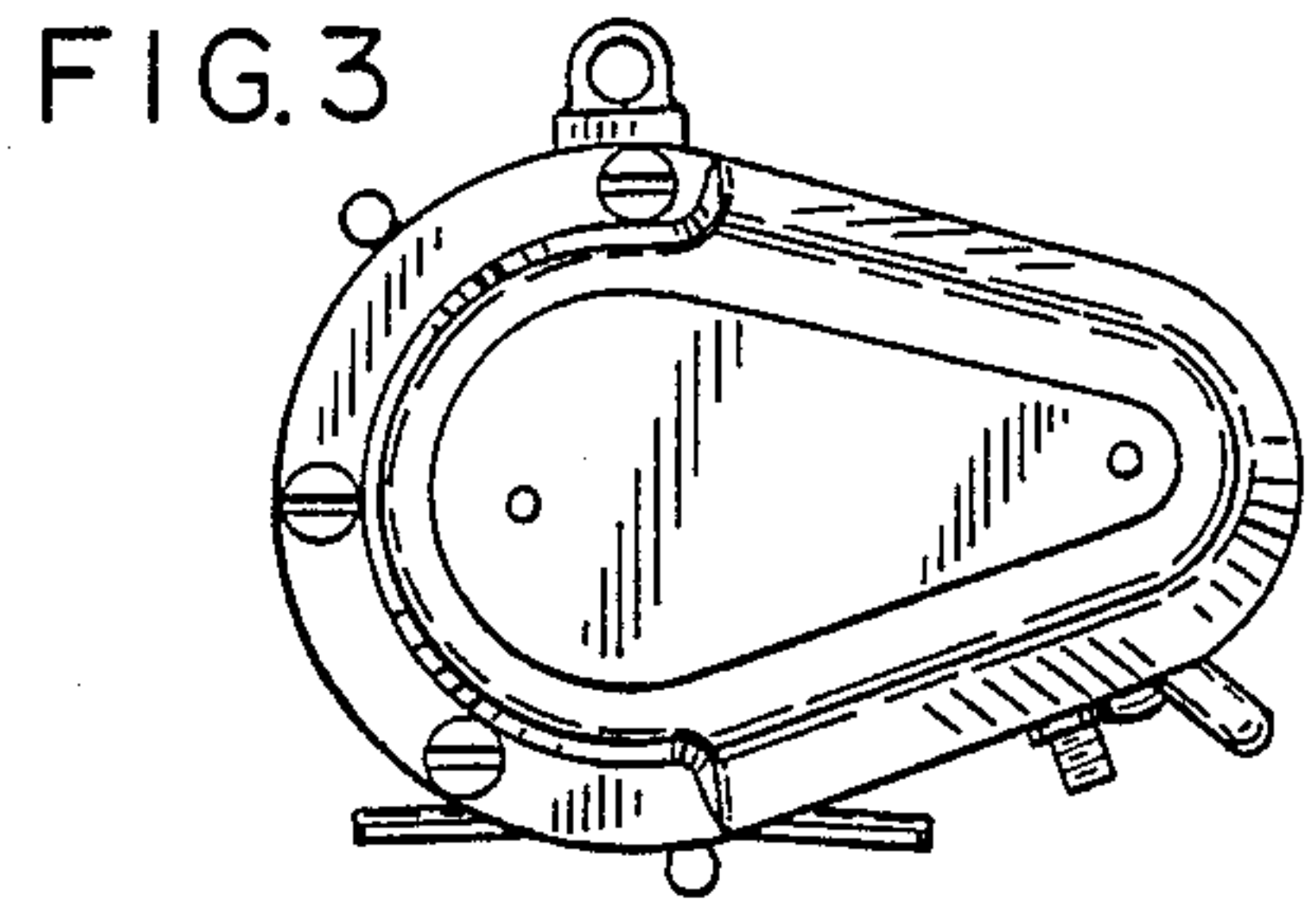
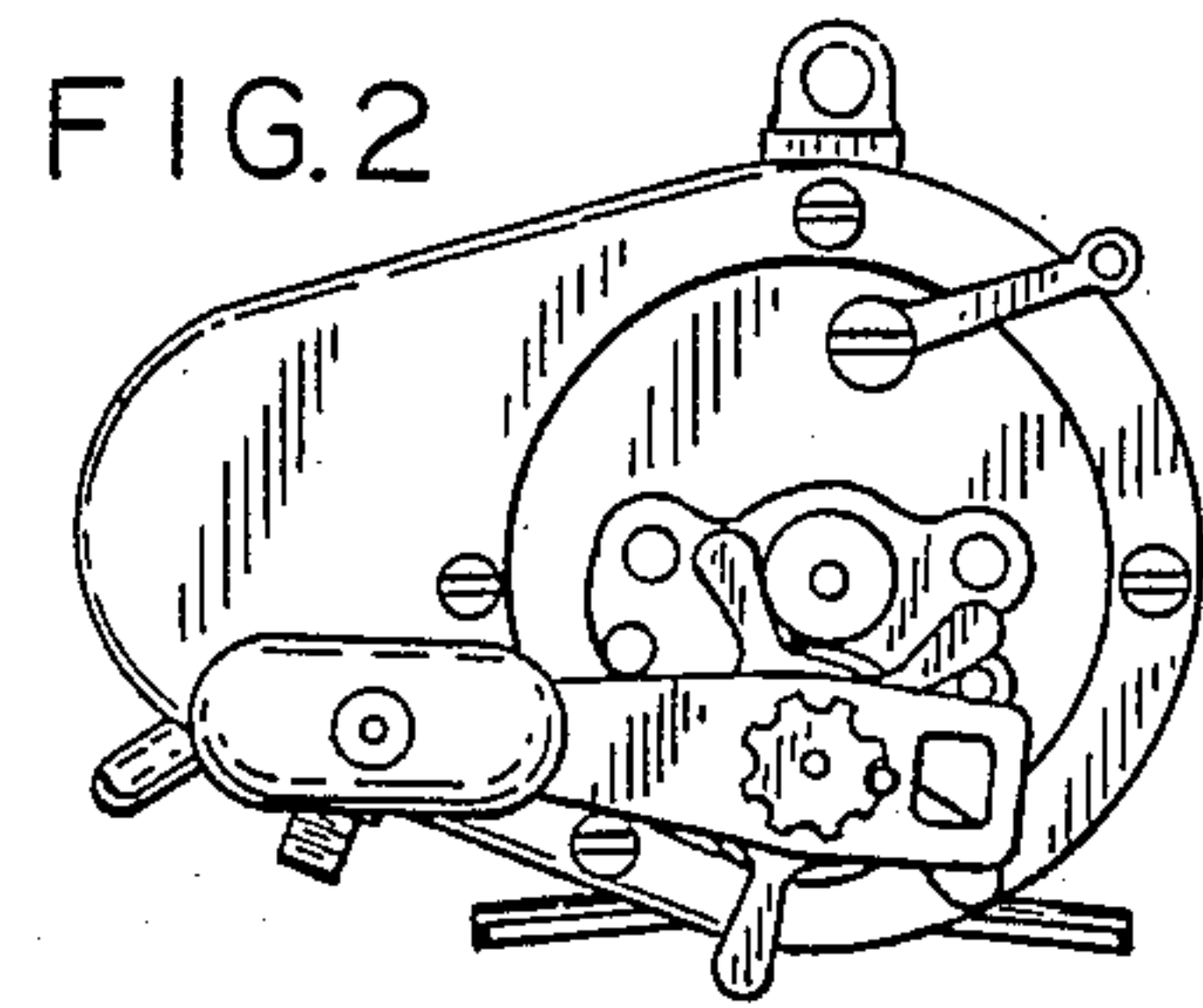
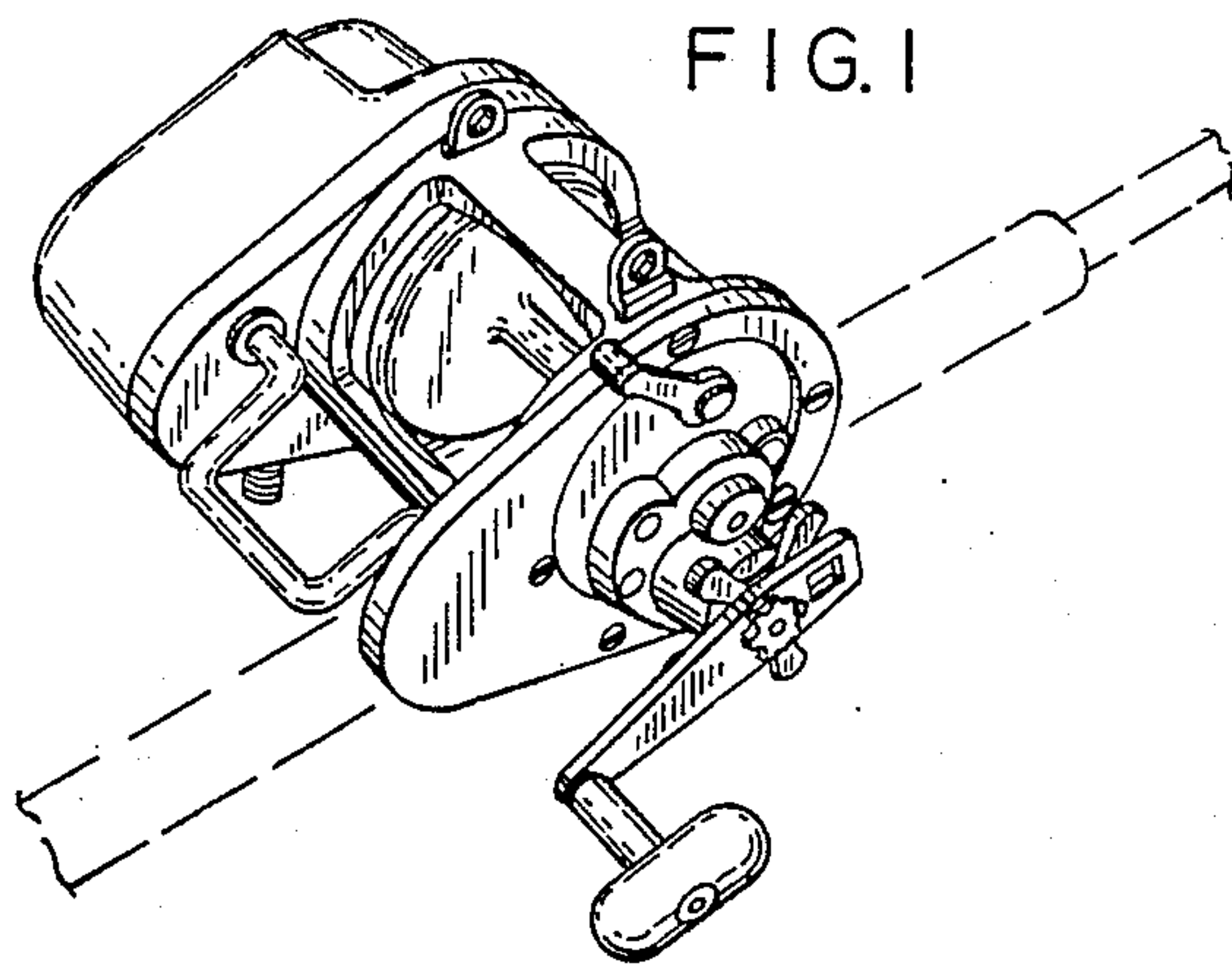


FIG. 4

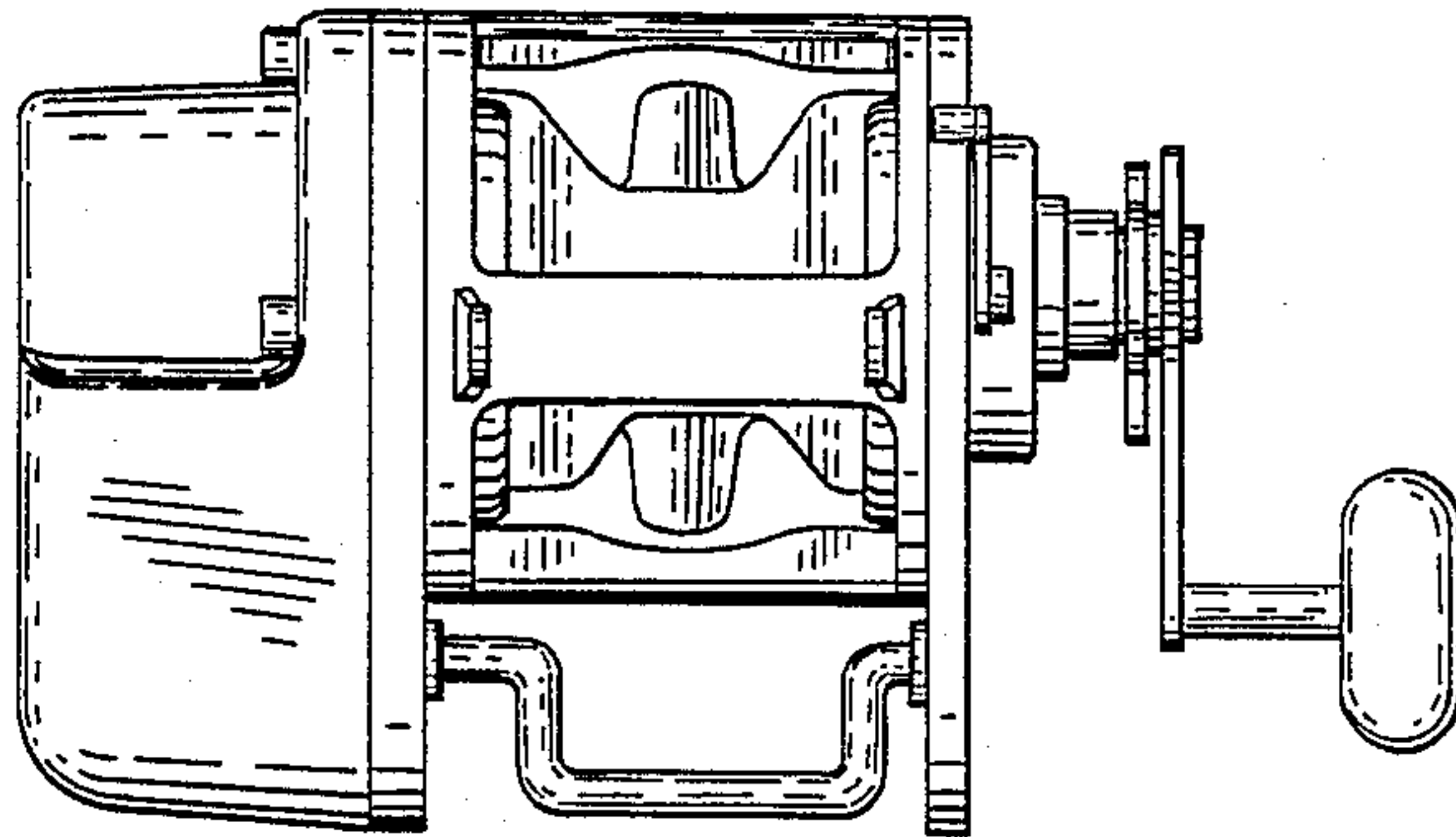


FIG. 5

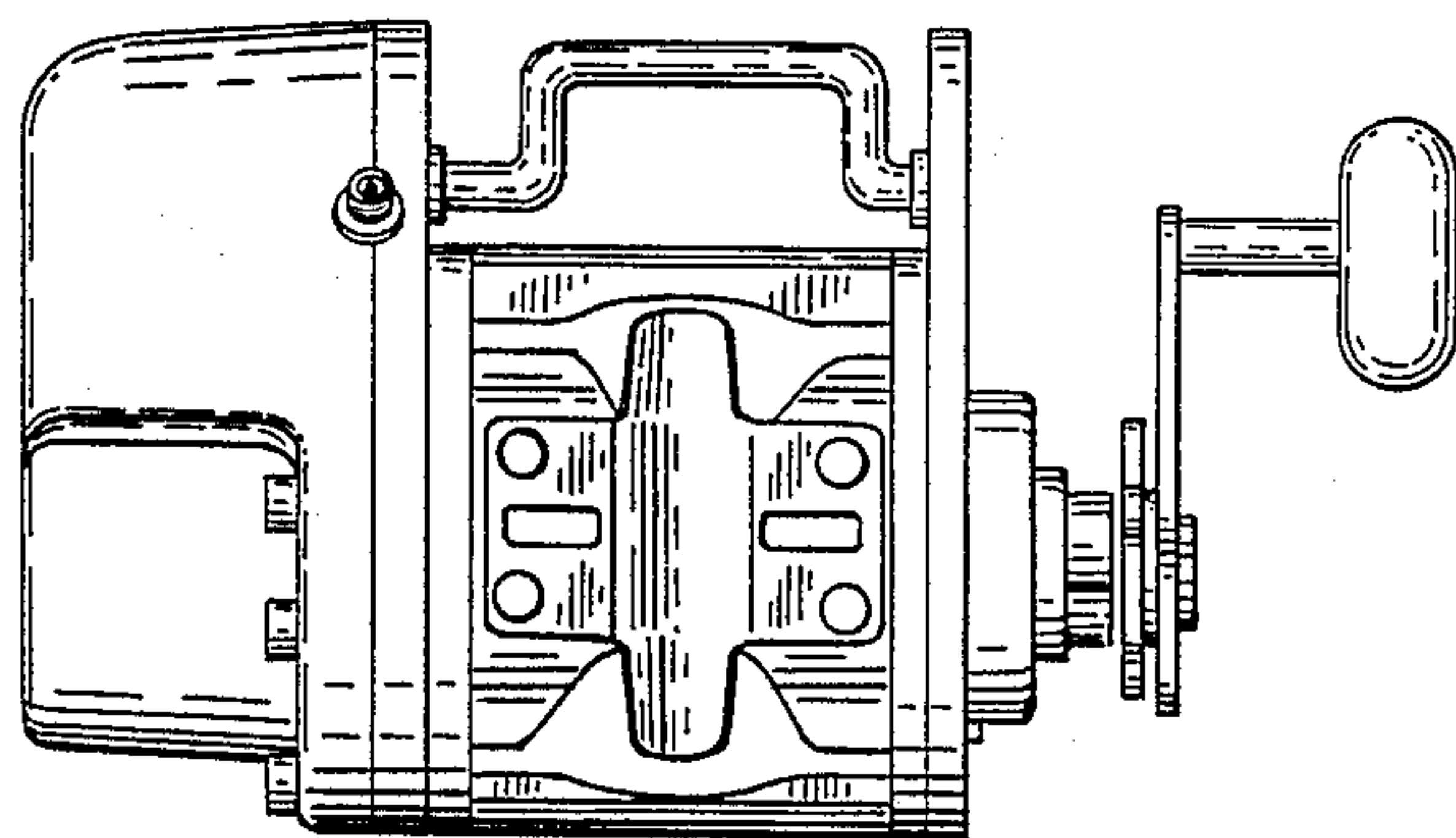


FIG. 6

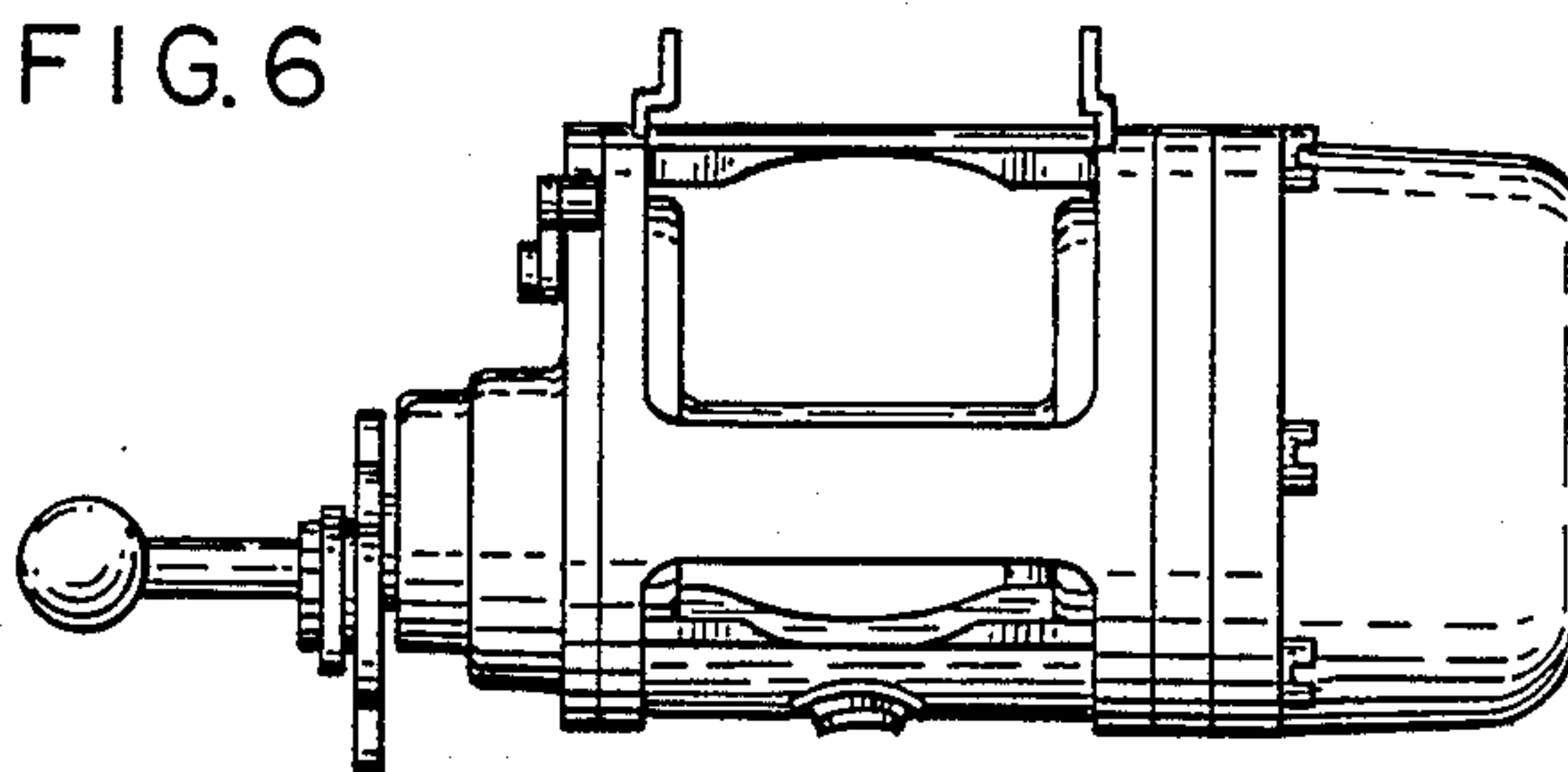


FIG. 7

