

United States Patent [19]
Brentham

[11] **Patent Number: Des. 300,442**

[45] **Date of Patent: ** Mar. 28, 1989**

[54] **UNILATERAL UPRIGHT ROW**

[76] **Inventor: Jerry D. Brentham, P.O. Box 599,
Belton, Tex. 76513**

[**] **Term: 14 Years**

[21] **Appl. No.: 926,787**

[22] **Filed: Nov. 4, 1986**

[52] **U.S. Cl. D21/195**

[58] **Field of Search D21/191-199;
272/93, 67, 117, 112, 125, 127, 130, 131, 134,
135, 136, 139, 142, 143, 144**

[56] **References Cited**

U.S. PATENT DOCUMENTS

D. 226,439 3/1973 Coker 272/130

D. 230,618 3/1974 Coker 272/130

D. 242,732 12/1976 Brentham .

4,618,140 10/1986 Brown 272/130

Primary Examiner—Charles A. Rademaker
Attorney, Agent, or Firm—Crutsinger & Booth

[57] **CLAIM**

The ornamental design for an unilateral upright row, as shown.

DESCRIPTION

FIG. 1 is a top plan view of an unilateral upright row showing my new design;

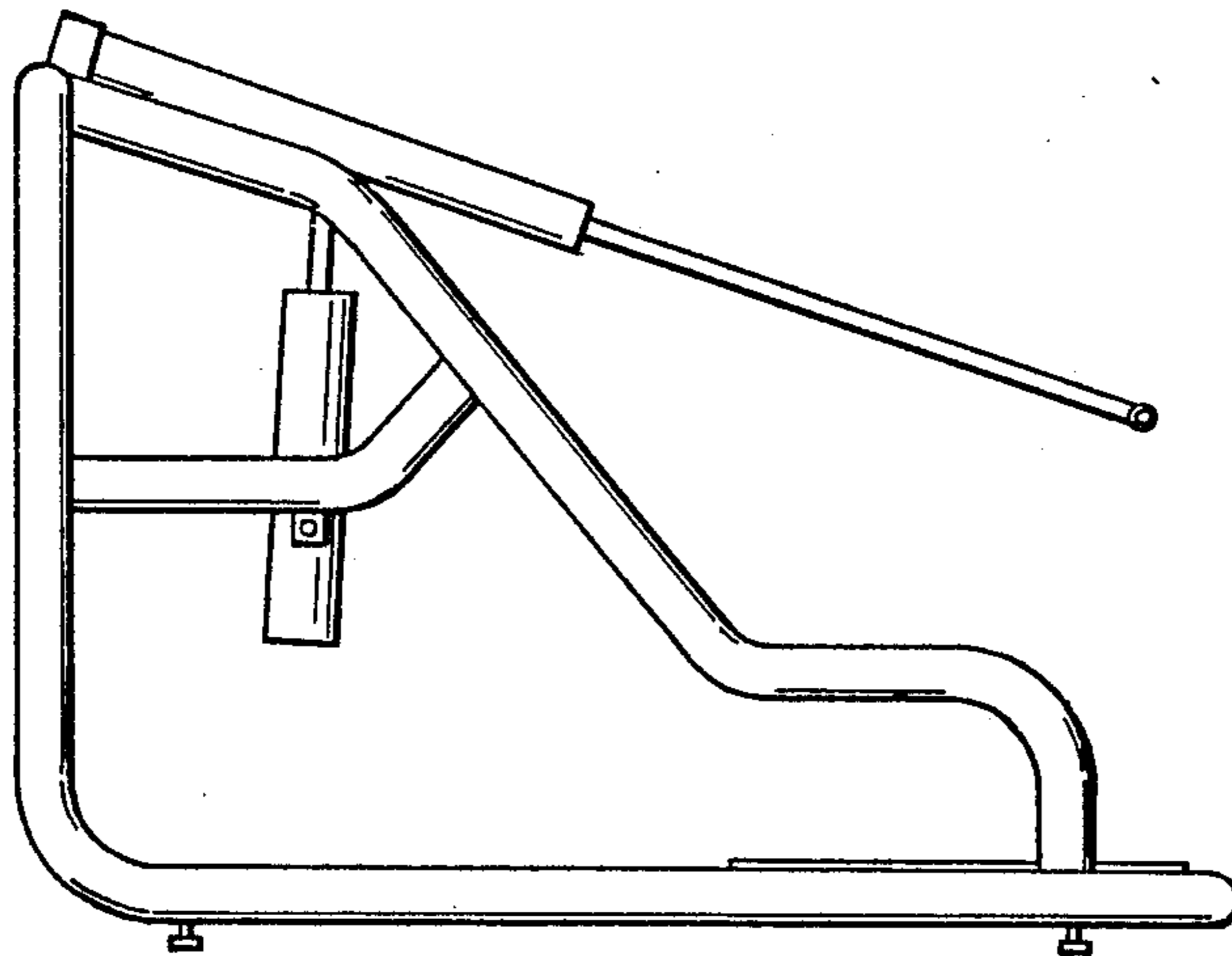
FIG. 2 is a bottom plan view thereof;

FIG. 3 is a left side elevational view thereof;

FIG. 4 is a right side elevational view thereof;

FIG. 5 is a front elevational view thereof; and

FIG. 6 is a rear elevational view thereof.



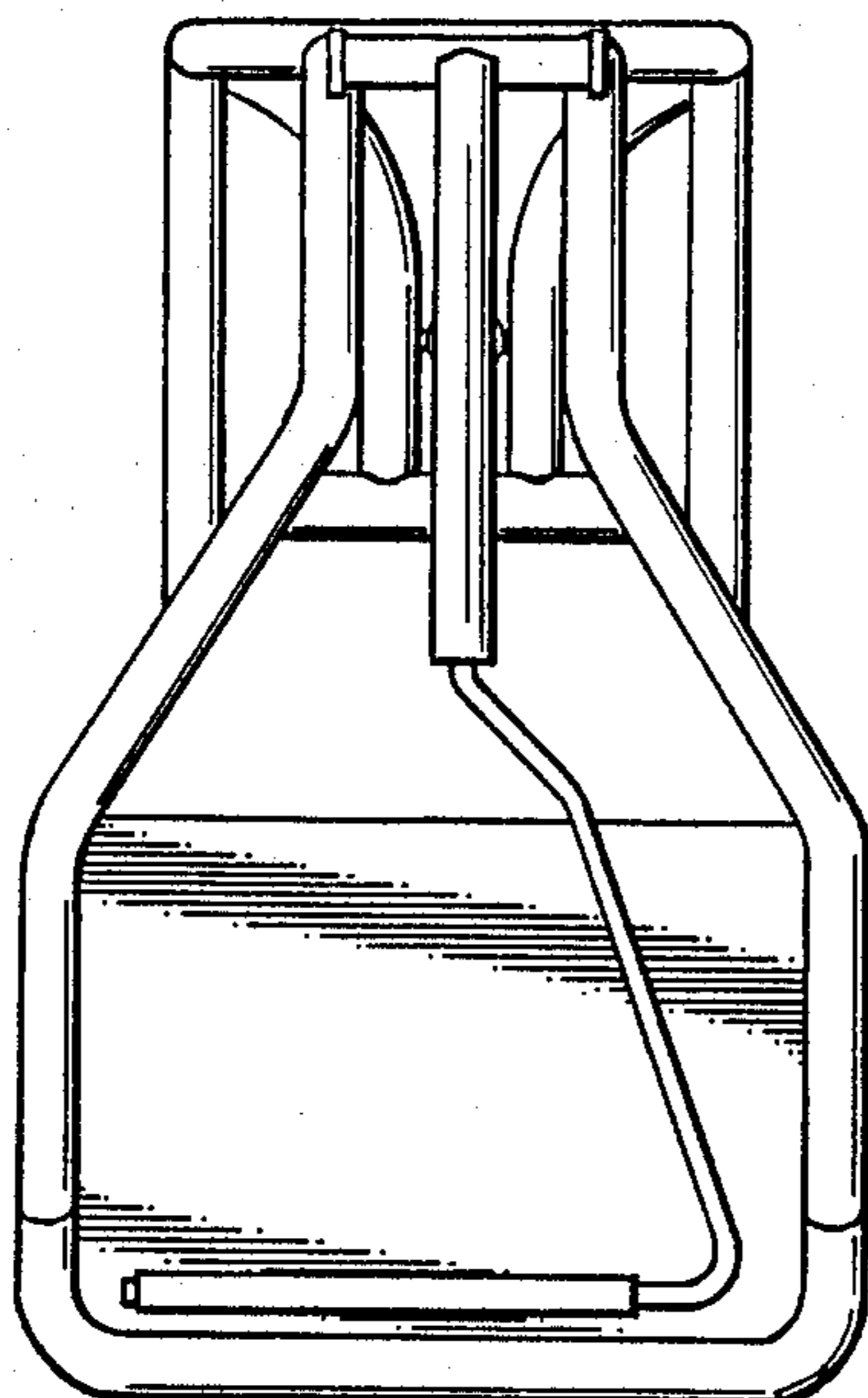


FIG. 1

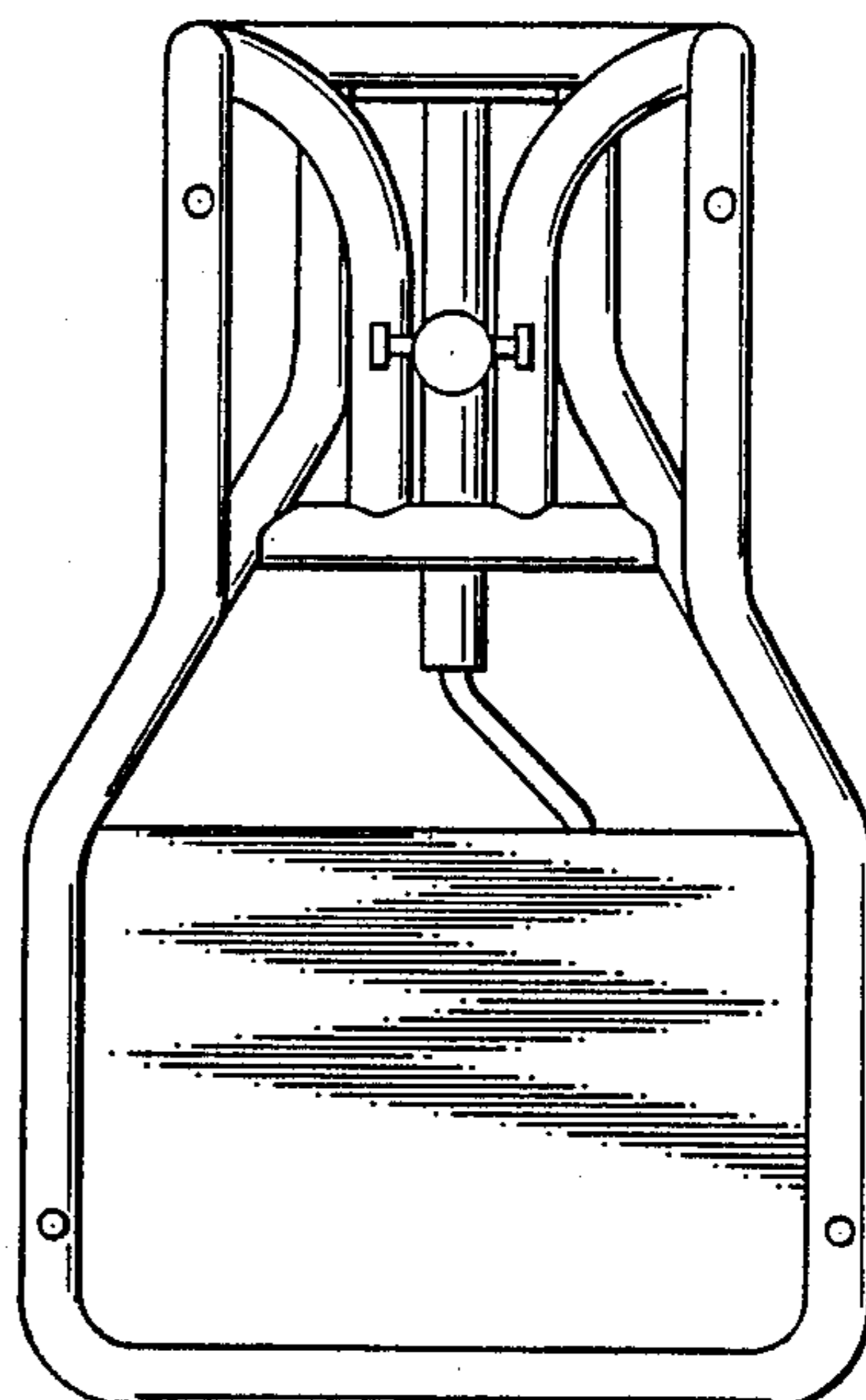


FIG. 2

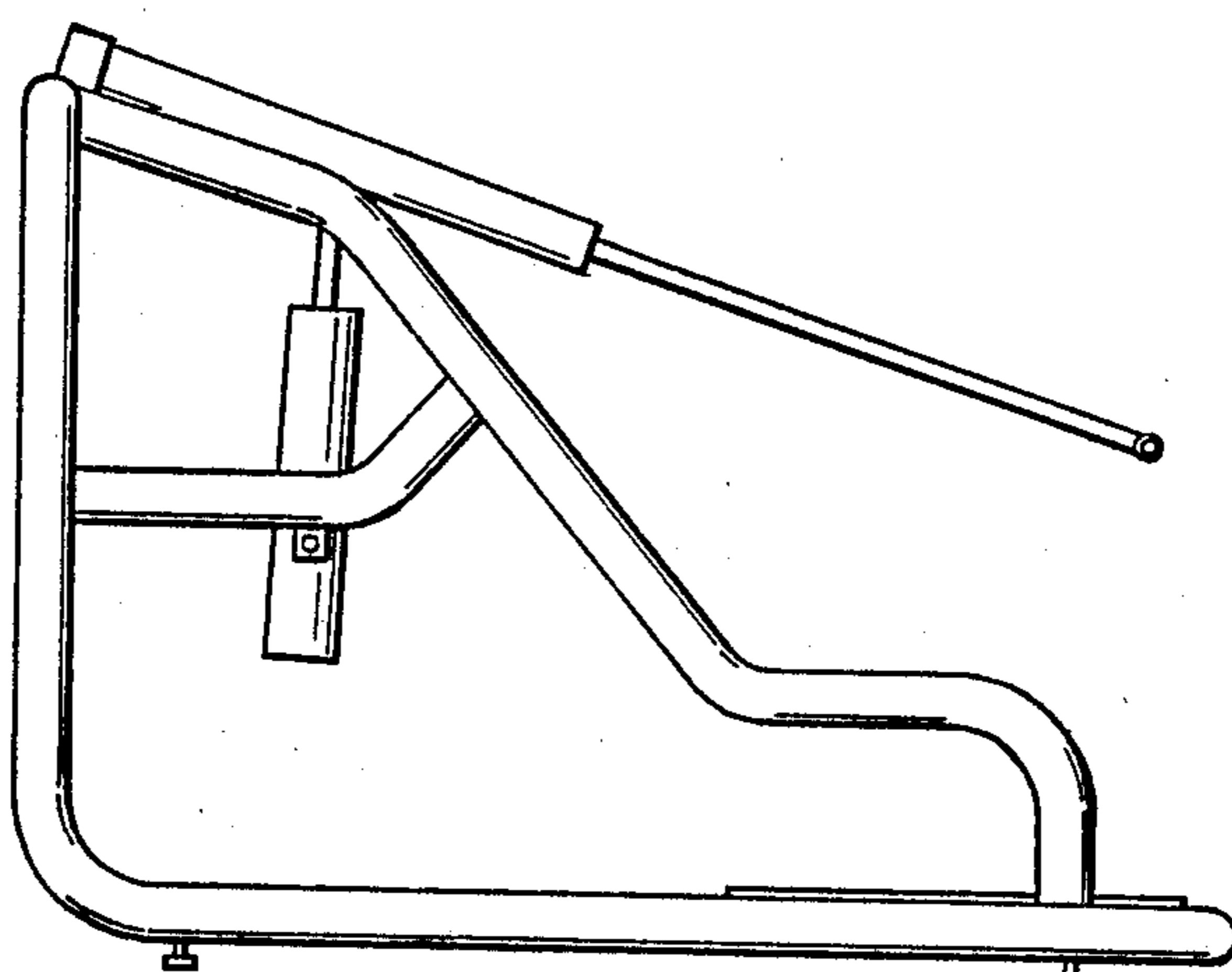


FIG. 3

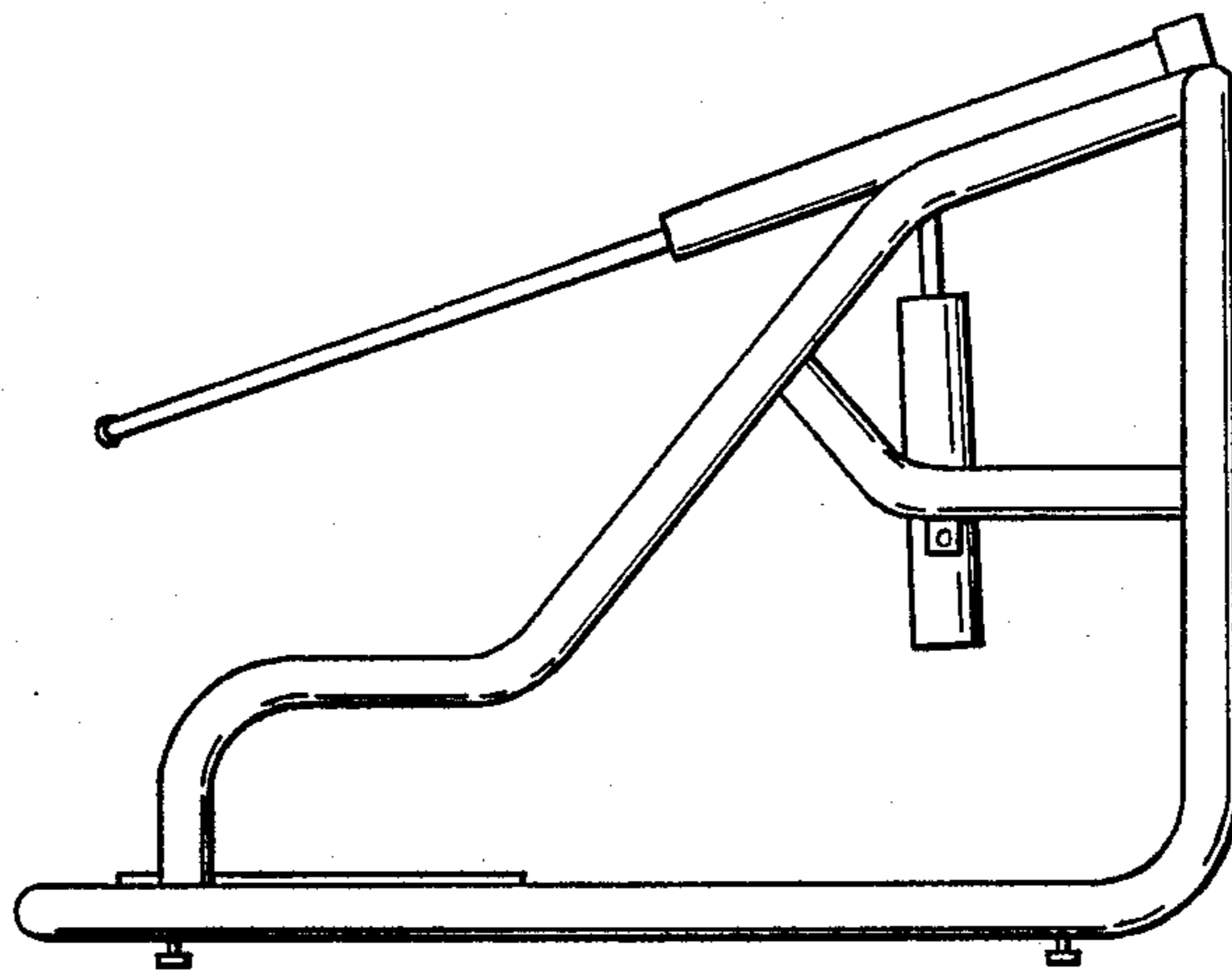


FIG. 4

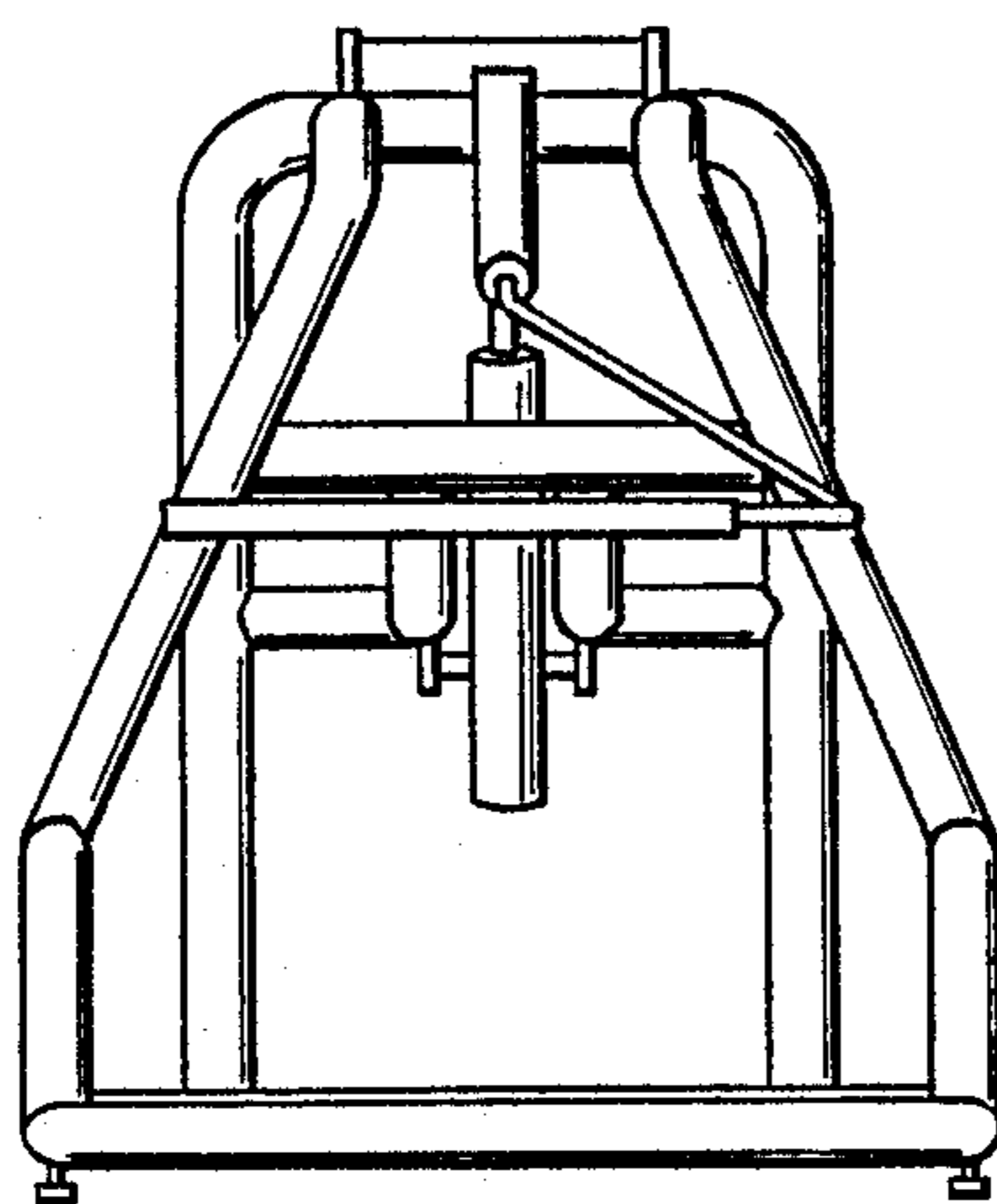


FIG. 5

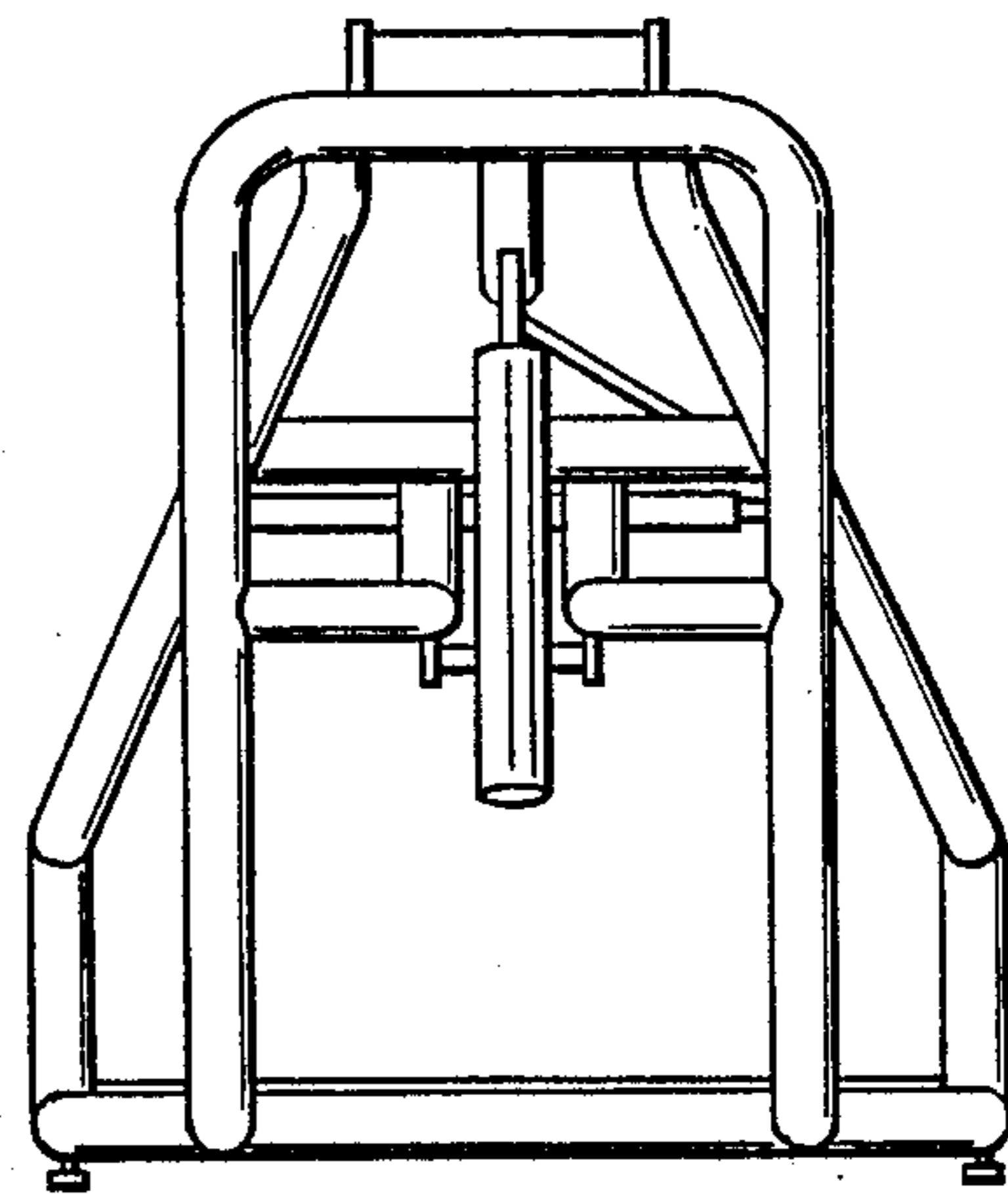


FIG. 6