

United States Patent [19]

Thomson et al.

[11] Patent Number: Des. 300,440

[45] Date of Patent: ** Mar. 28, 1989

[54] TOY TELEPHONE

[75] Inventors: Harry S. Thomson, Richmond; David M. Raffo; John A. Pape, both of Hitchin, all of England

[73] Assignee: Hestair Kiddicraft Limited, Bristol, England

[**] Term: 14 Years

[21] Appl. No.: 43,989

[22] Filed: Apr. 29, 1987

[30] Foreign Application Priority Data

Nov. 4, 1986 [GB] United Kingdom 1037806

[52] U.S. Cl. D21/111

[58] Field of Search D21/59, 63, 64, 110, D21/111; 446/141, 142; D14/53, 57

[56] References Cited

U.S. PATENT DOCUMENTS

D. 211,998 8/1968 Abraham D14/53

D. 281,517 11/1985 Kolich D21/111
D. 286,875 11/1986 Cameron D14/57
D. 288,809 3/1987 Asaki et al. D14/53

OTHER PUBLICATIONS

Hong Kong Toys '86 Catalog, p. 51, Toy Telephone at bottom of page.

Primary Examiner—Charles A. Rademaker

[57] CLAIM

The ornamental design for a toy telephone, as shown and described.

DESCRIPTION

FIG. 1 is a front elevational view of a toy telephone embodying our new design;
FIG. 2 is a rear elevational view thereof;
FIG. 3 is a side elevational view thereof;
FIG. 4 is a side elevational view of the opposite side thereof;
FIG. 5 is a top view thereof;
FIG. 6 is a bottom view thereof.

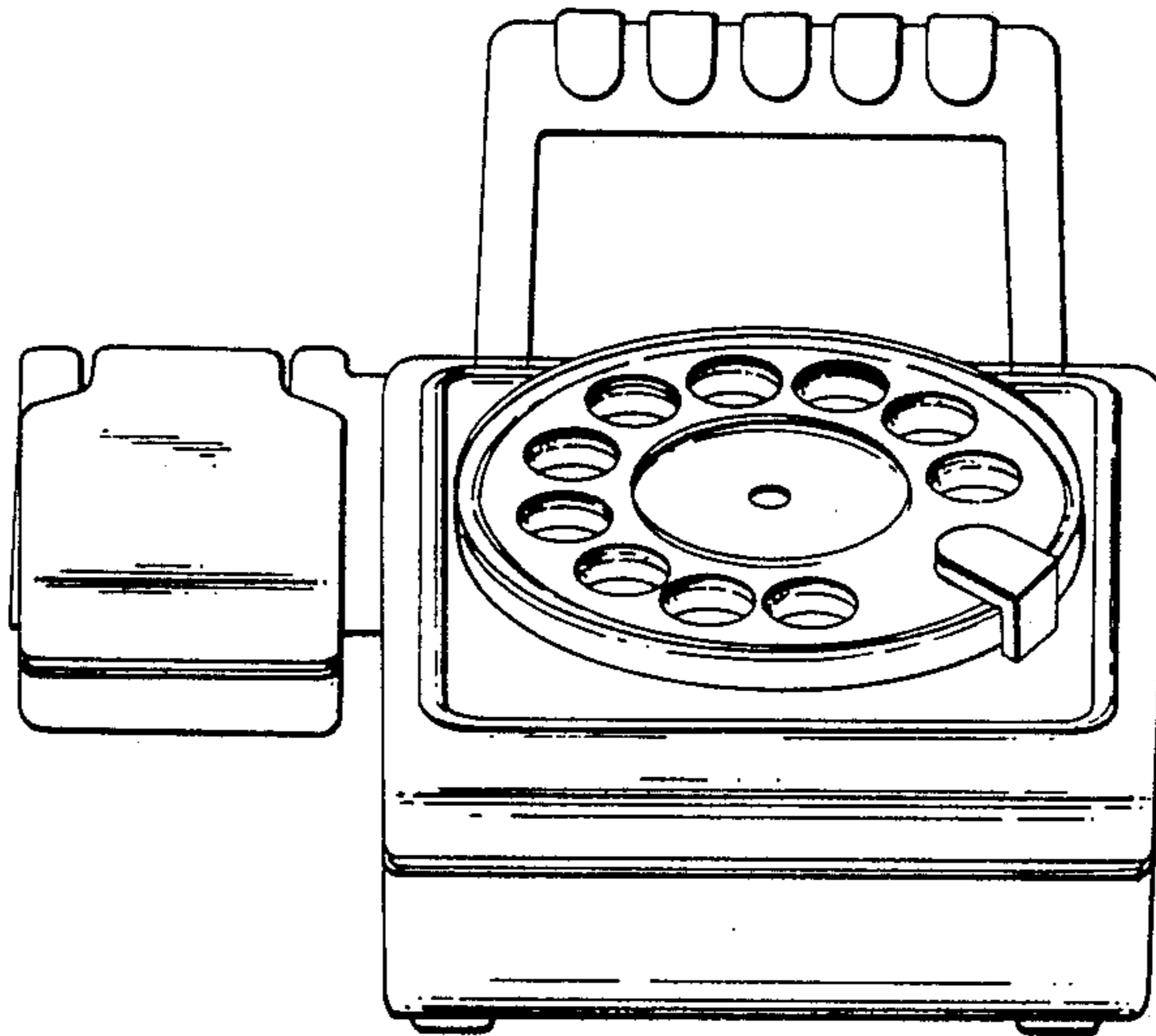


FIG. 1

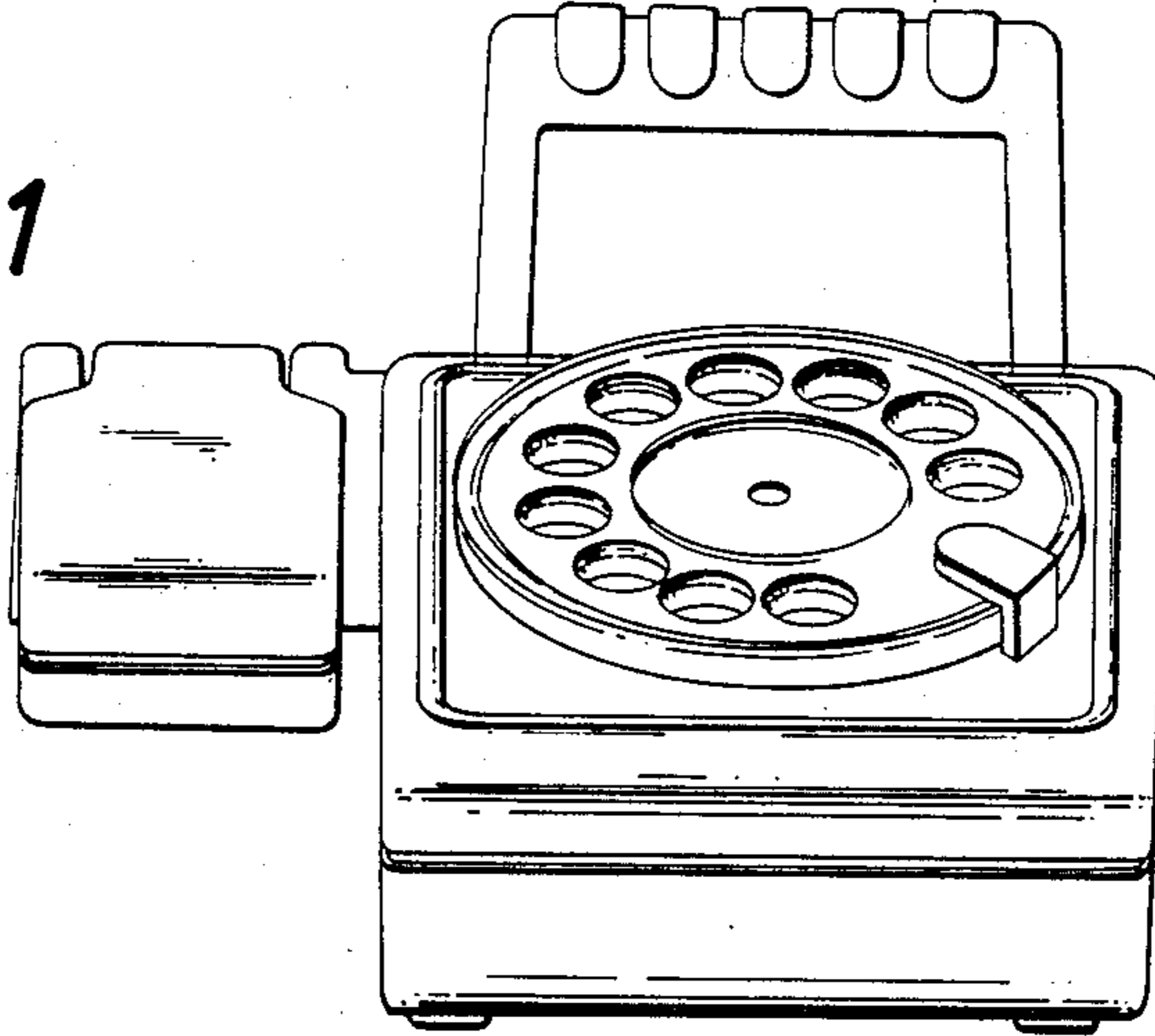


FIG. 2

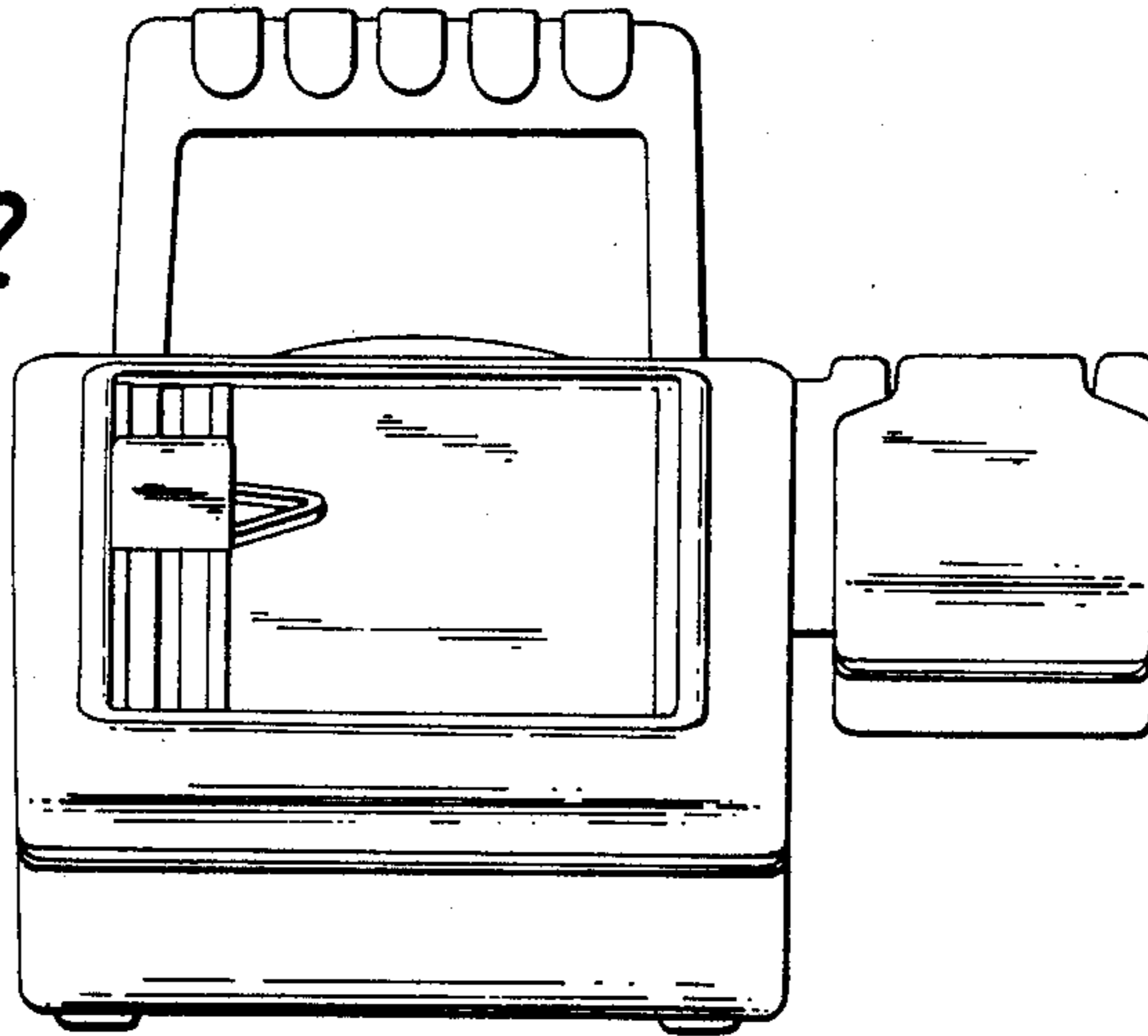


FIG. 3

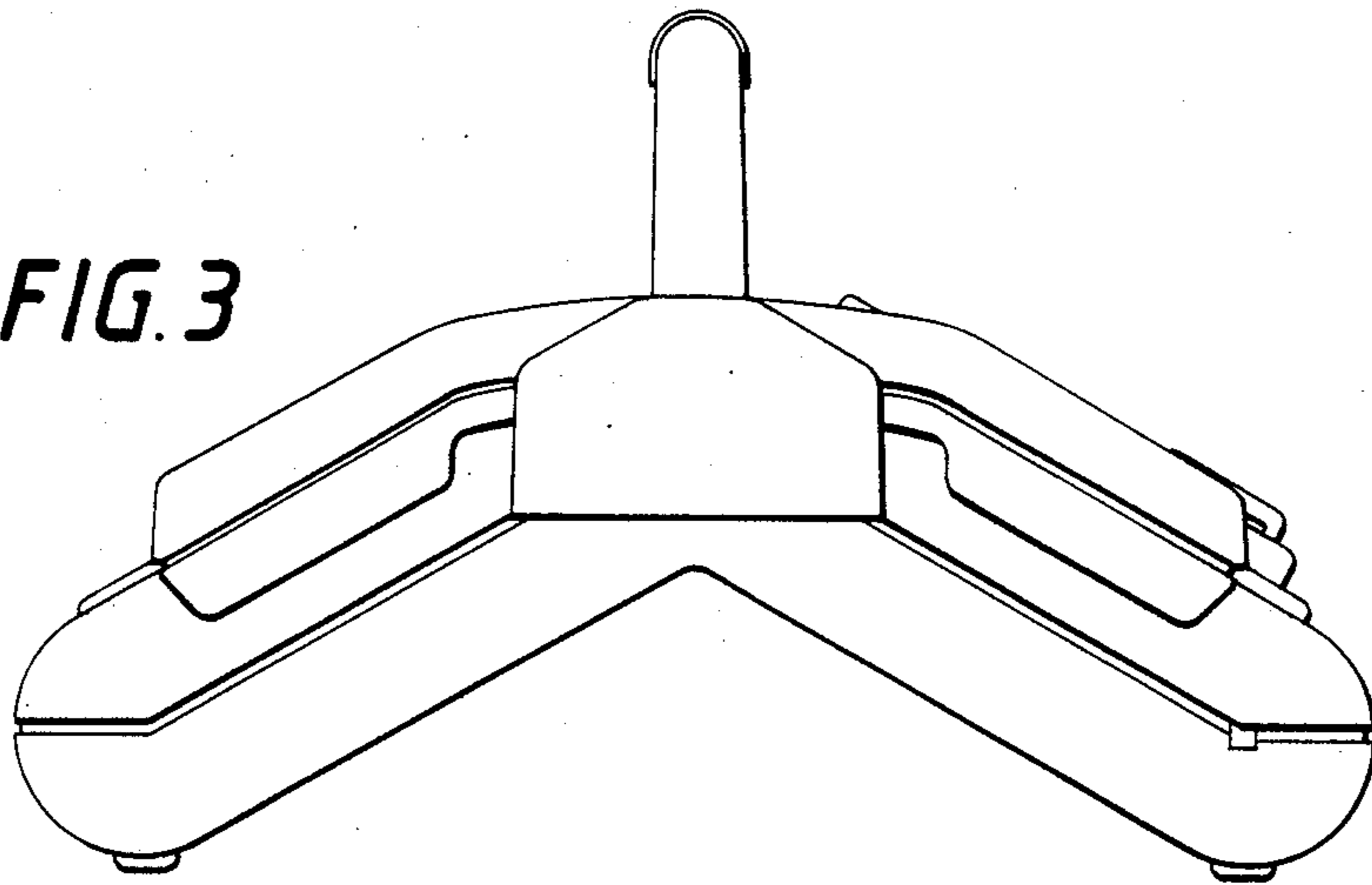
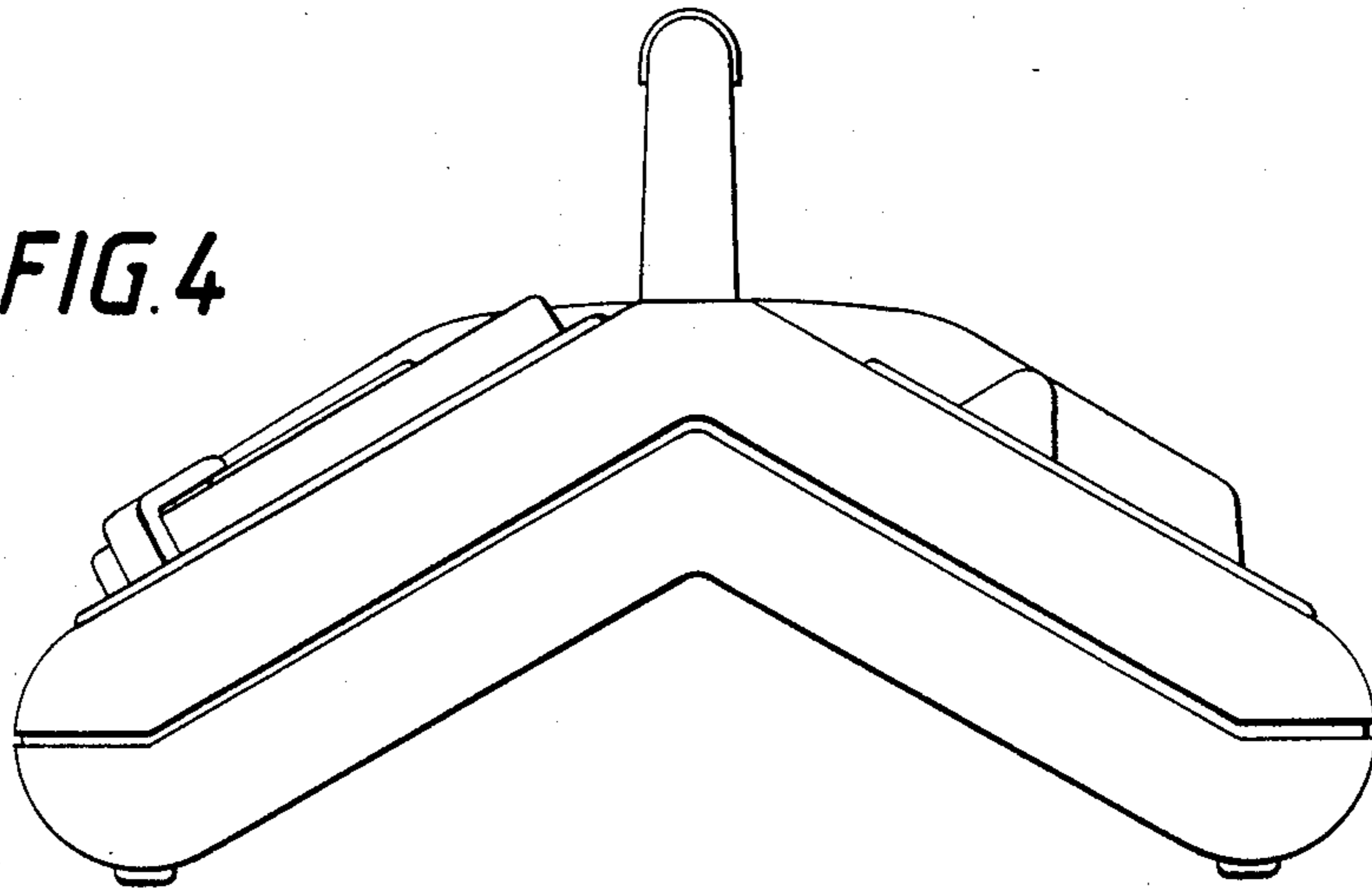


FIG. 4



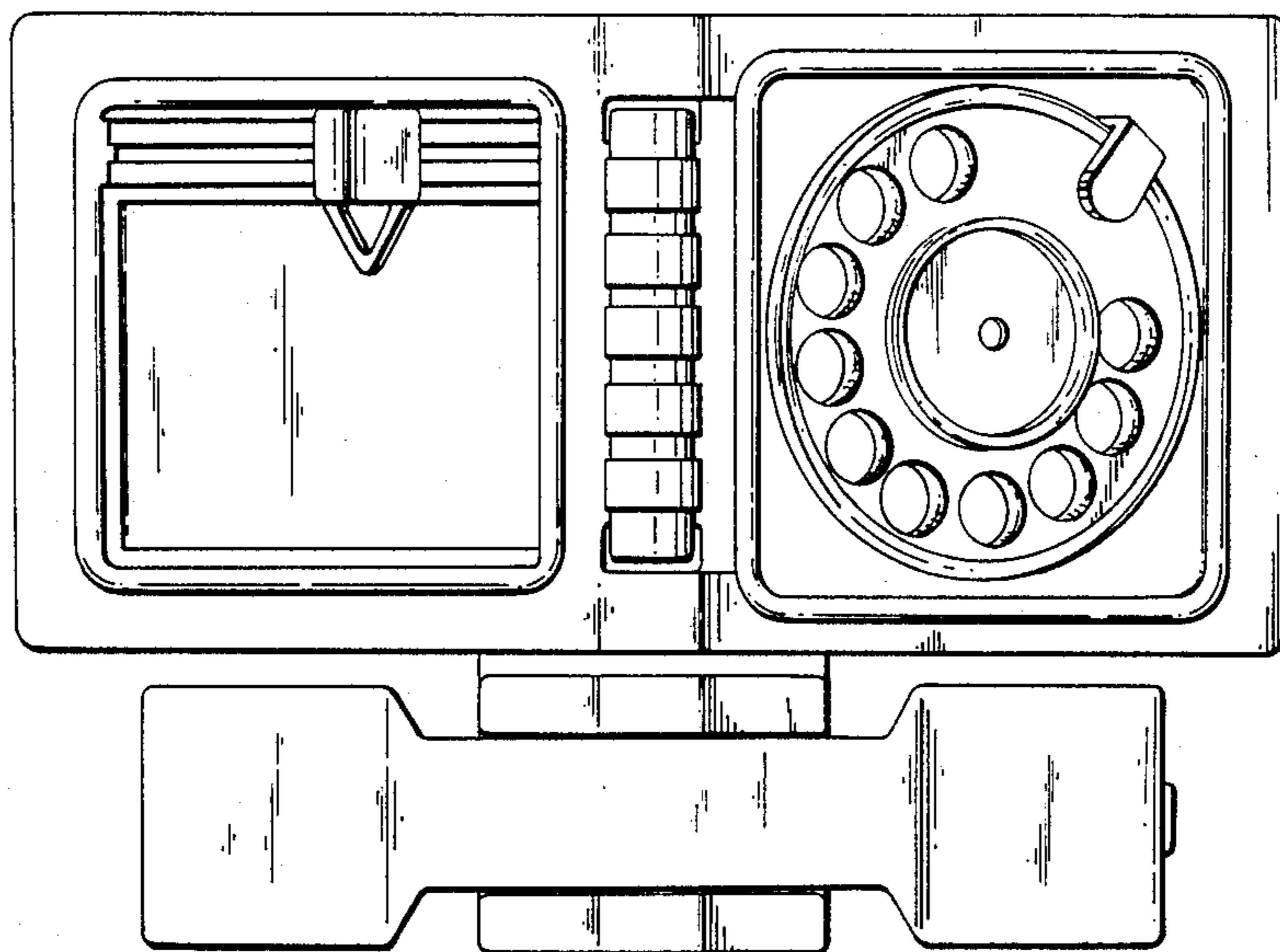


FIG. 5

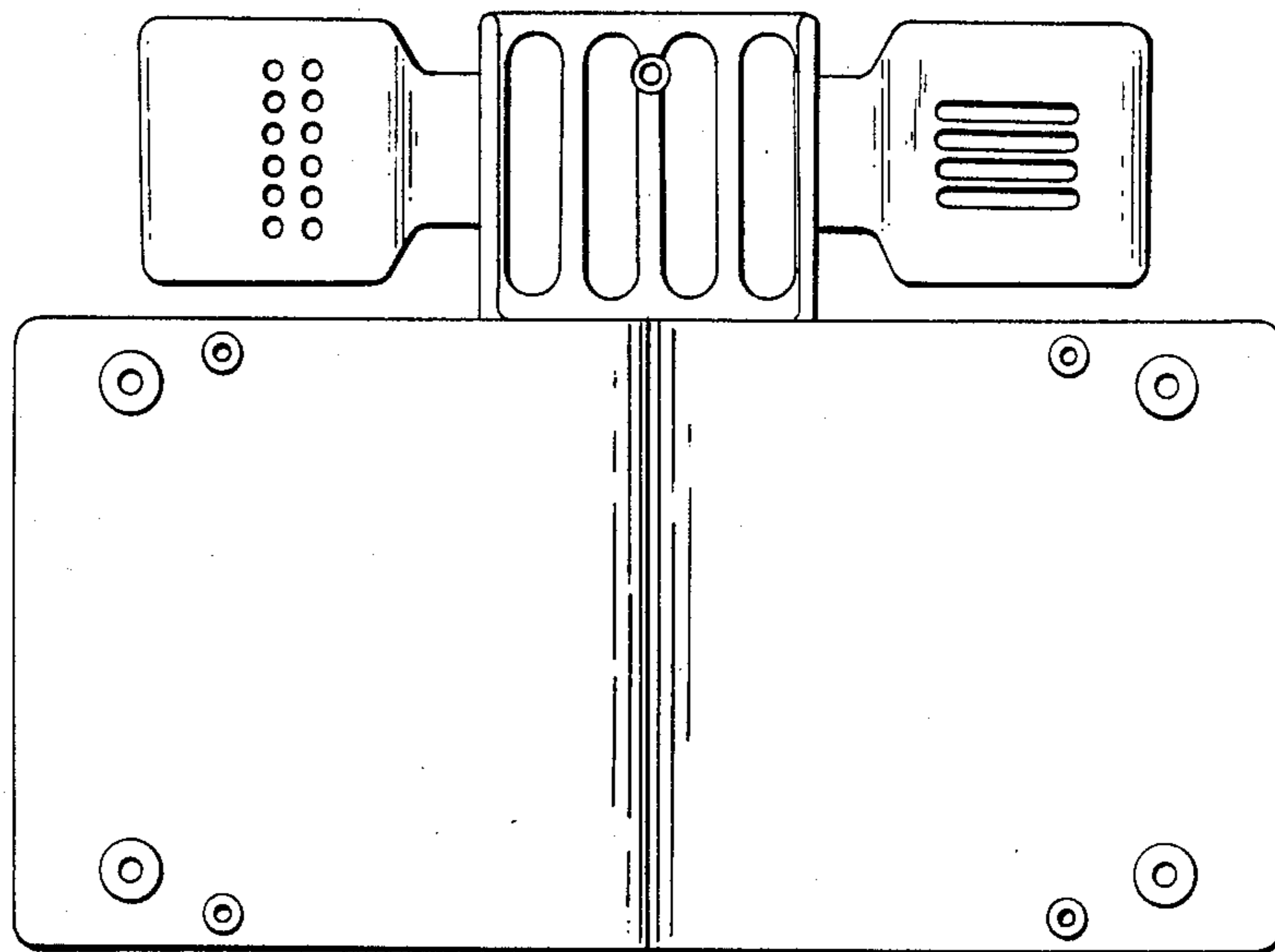


FIG. 6