

[54] **TOY TEA KETTLE**

[75] **Inventor: David E. Moomaw, East Aurora, N.Y.**

[73] **Assignee: The Quaker Oats Company, Chicago, Ill.**

[**] **Term: 14 Years**

[21] **Appl. No.: 919,485**

[22] **Filed: Oct. 15, 1986**

[52] **U.S. Cl. D21/109**

[58] **Field of Search D21/122, 109, 59;
D7/334, 354, 355, 314, 361; 446/71, 73, 479,
481, 491**

[56] **References Cited**

U.S. PATENT DOCUMENTS

D. 230,042 1/1974 Saito D21/122
D. 276,120 10/1984 Solomon D7/312
D. 279,698 7/1985 Goyne D21/122
D. 285,521 9/1986 Urich D7/318
D. 287,984 1/1987 Thomson et al. D21/122

OTHER PUBLICATIONS

Sears Wish Book, 1986, p. 408, item #6, Toy Kettle.

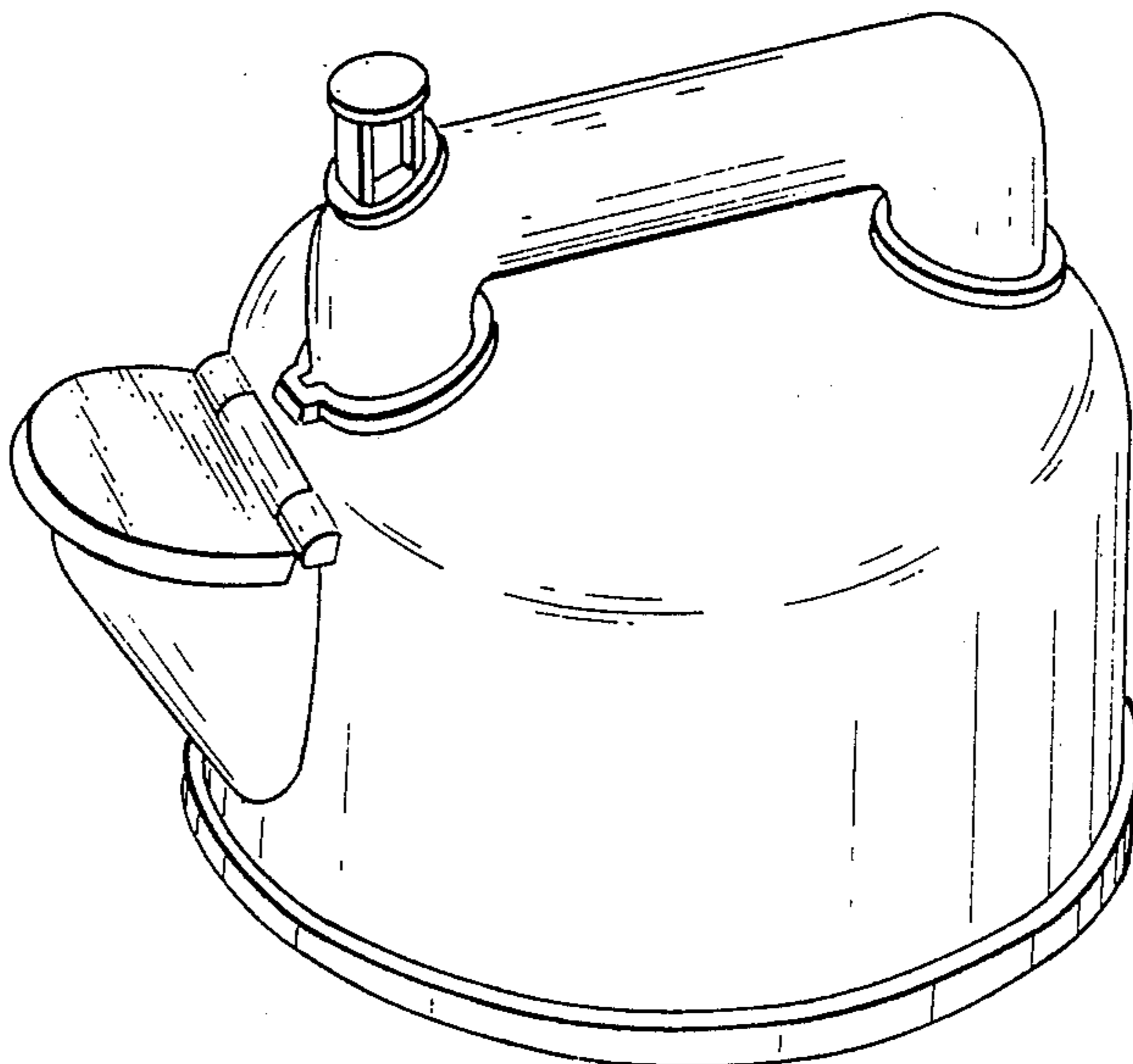
Primary Examiner—Charles A. Rademaker
Attorney, Agent, or Firm—Cumpston & Shaw

[57] **CLAIM**

The ornamental design for a toy tea kettle, as shown.

DESCRIPTION

FIG. 1 is a left-side perspective view of a toy tea kettle showing my new design;
FIG. 2 is a bottom plan view thereof; and
FIG. 3 is a rear elevational view thereof.



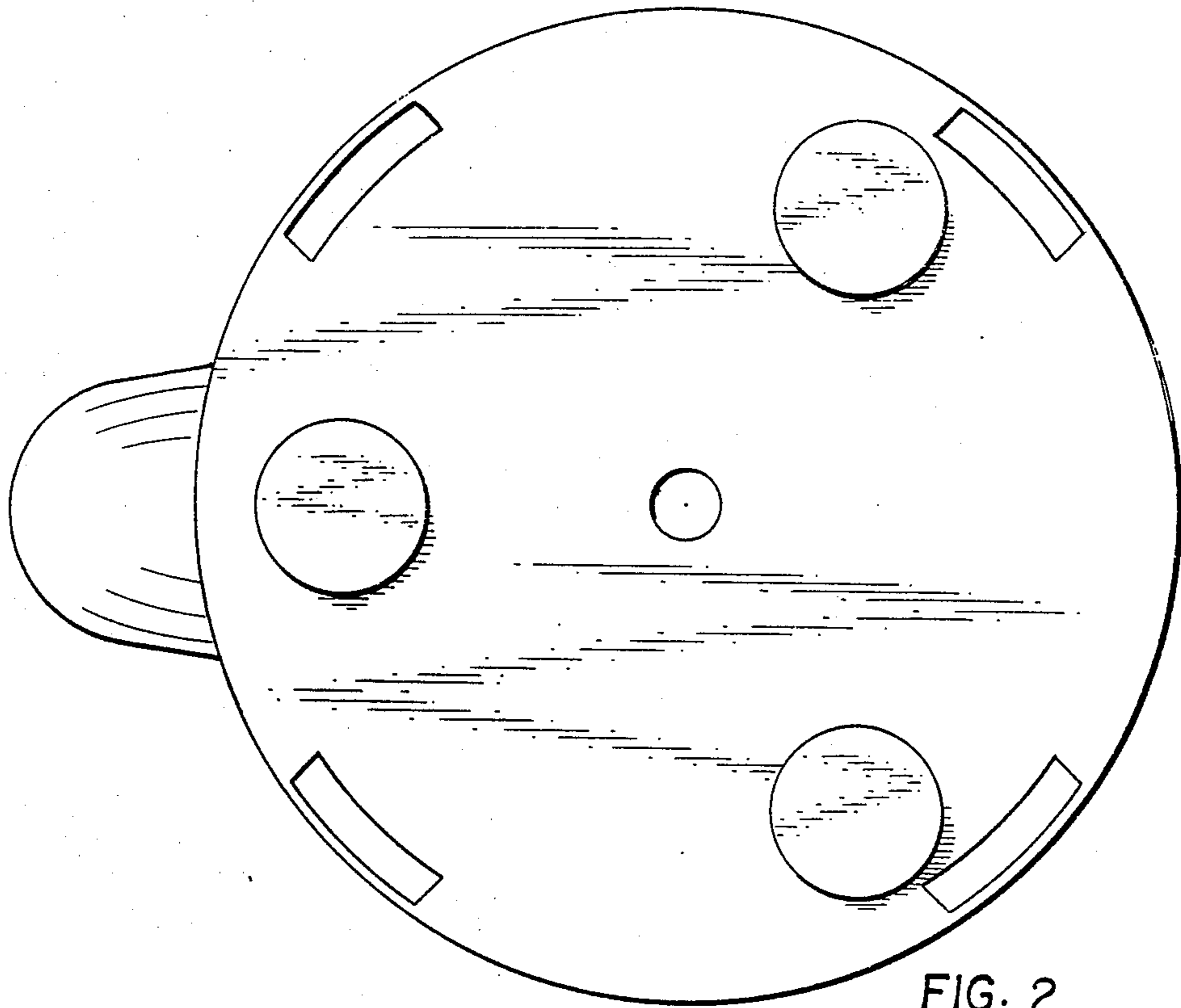


FIG. 2

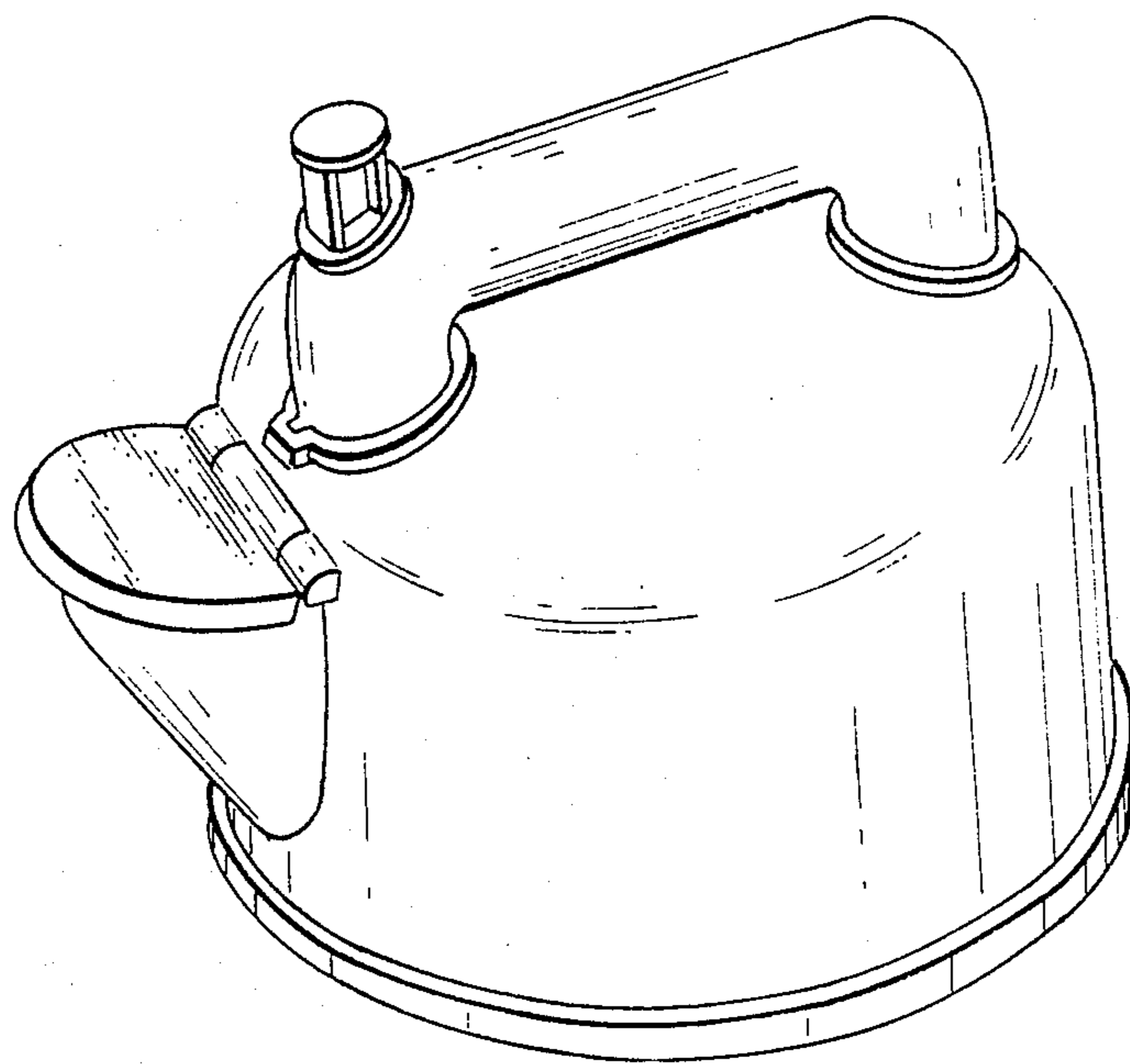


FIG. 1

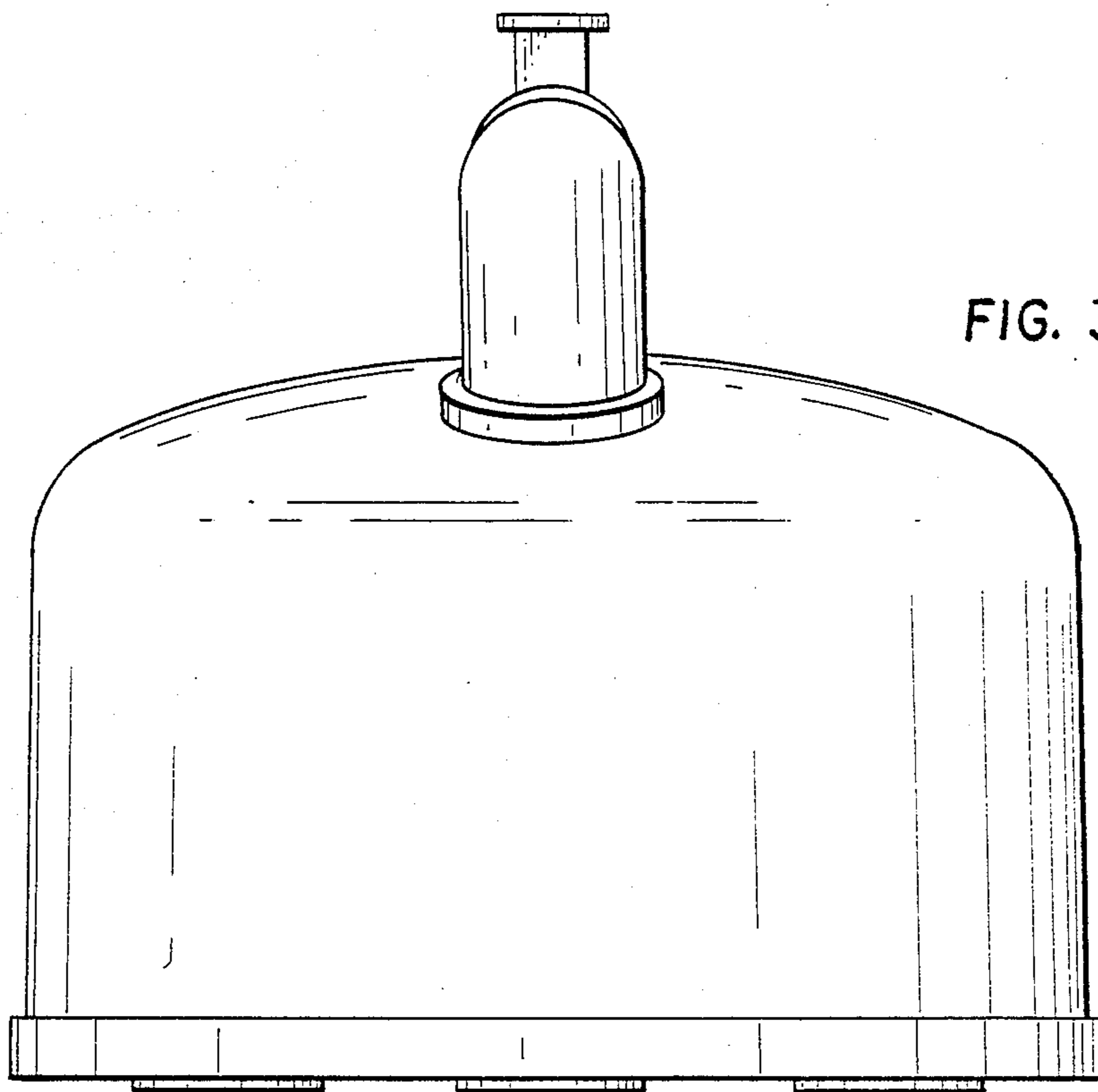


FIG. 3