

[54] TOY MUSICAL INSTRUMENT

[75] Inventors: Robert D. Berghash, Buffalo; Dan A. Jachimowicz, Elba, both of N.Y.

[73] Assignee: Brimms Inc., Tonawanda, N.Y.

[**] Term: 14 Years

[21] Appl. No.: 859,886

[22] Filed: May 7, 1986

[52] U.S. Cl. D21/64; D17/10

[58] Field of Search D21/59, 63, 64, 65; D17/10; 446/397, 404, 408, 416, 417, 448; 84/330

[56] References Cited

U.S. PATENT DOCUMENTS

D. 206,824	1/1967	Ryan et al.	D21/64
D. 254,911	5/1980	Larson	D17/10
700,986	5/1902	Smith	446/416
1,465,675	8/1923	McIntyre	446/416

OTHER PUBLICATIONS

The V.I.P. Gold or Silver Kazoo-0.82-1.00
The Kazoo . . . a Musical Delight-0.50-0.60.
The One and Only, Original Kazoo Line-No. 19C-B.
The Original American Kazoo (copy of packaging).
How to Kazoo by Barbara Stewart (5 pages).

Primary Examiner—Charles A. Rademaker
Attorney, Agent, or Firm—Christel, Bean & Linihan

[57] CLAIM

The ornamental design for a toy musical instrument, as shown.

DESCRIPTION

FIG. 1 is a perspective view of a toy musical instrument, showing our new design;
FIG. 2 is a top plan view thereof;
FIG. 3 is a bottom plan view thereof;
FIG. 4 is a side elevational view thereof;
FIG. 5 is an opposite side elevational view thereof;
FIG. 6 is an end elevational view thereof, looking at the mouth piece end of the instrument; and
FIG. 7 is an opposite end elevational view thereof.

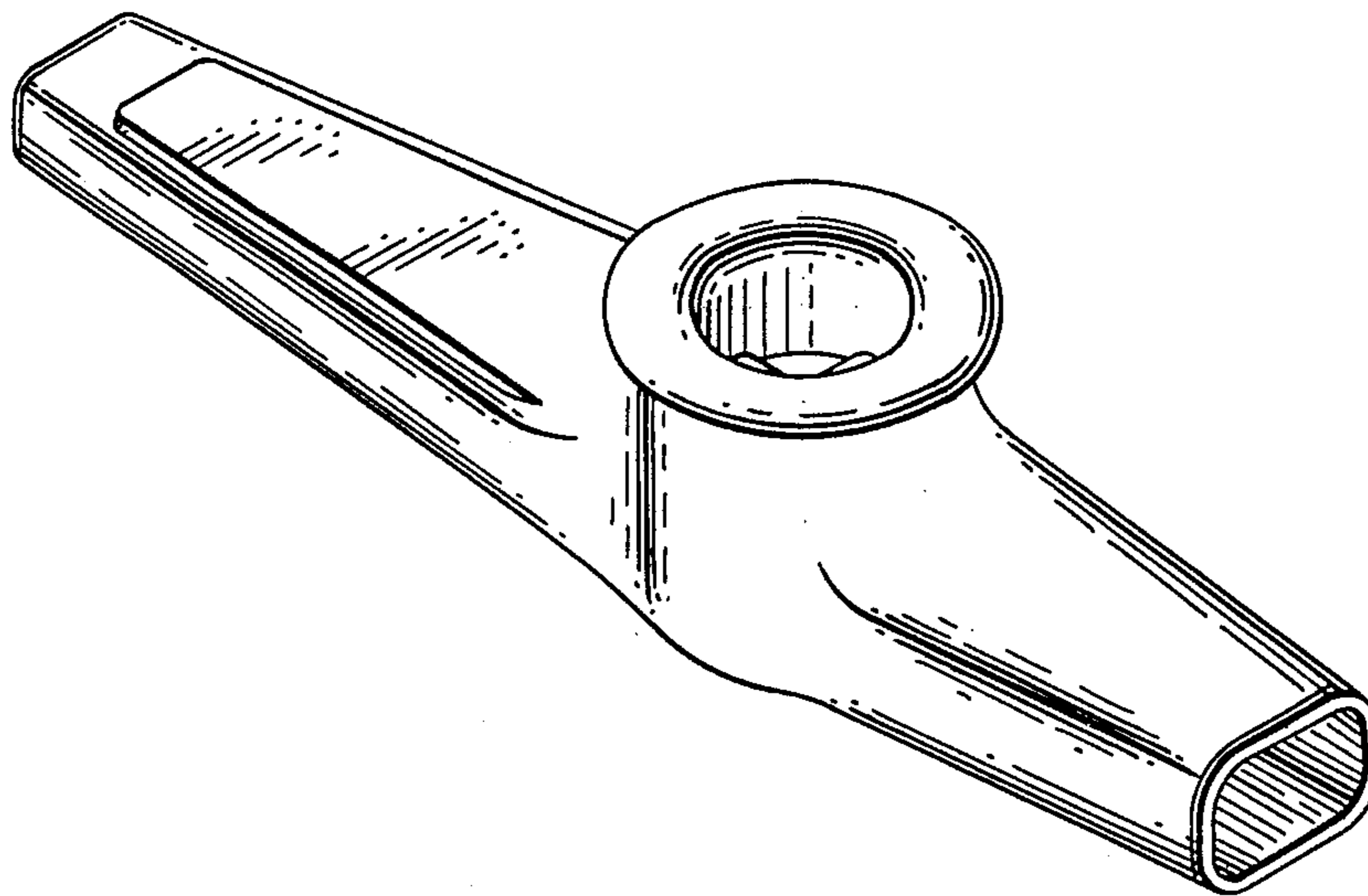


Fig. 1.

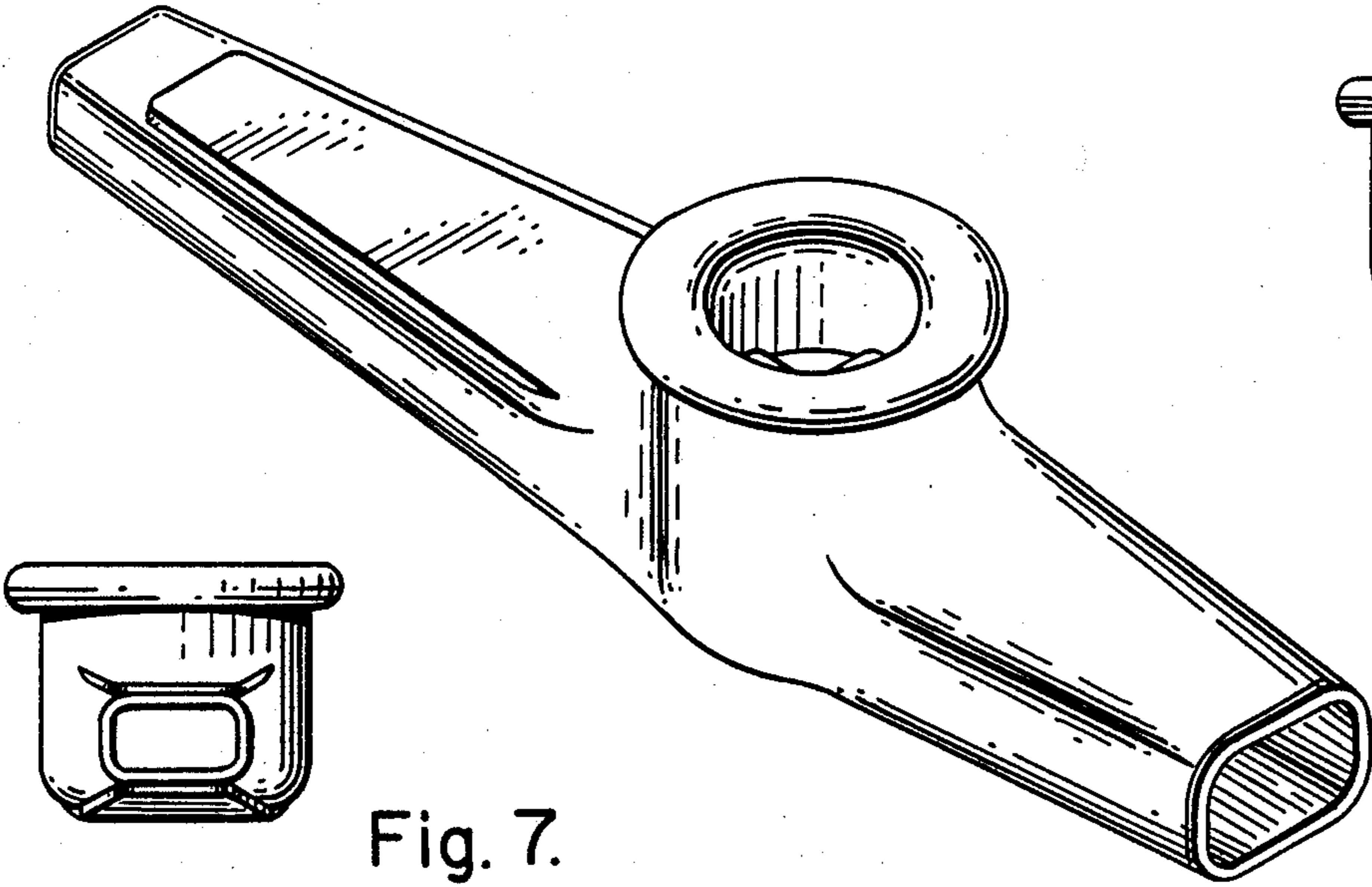


Fig. 6.

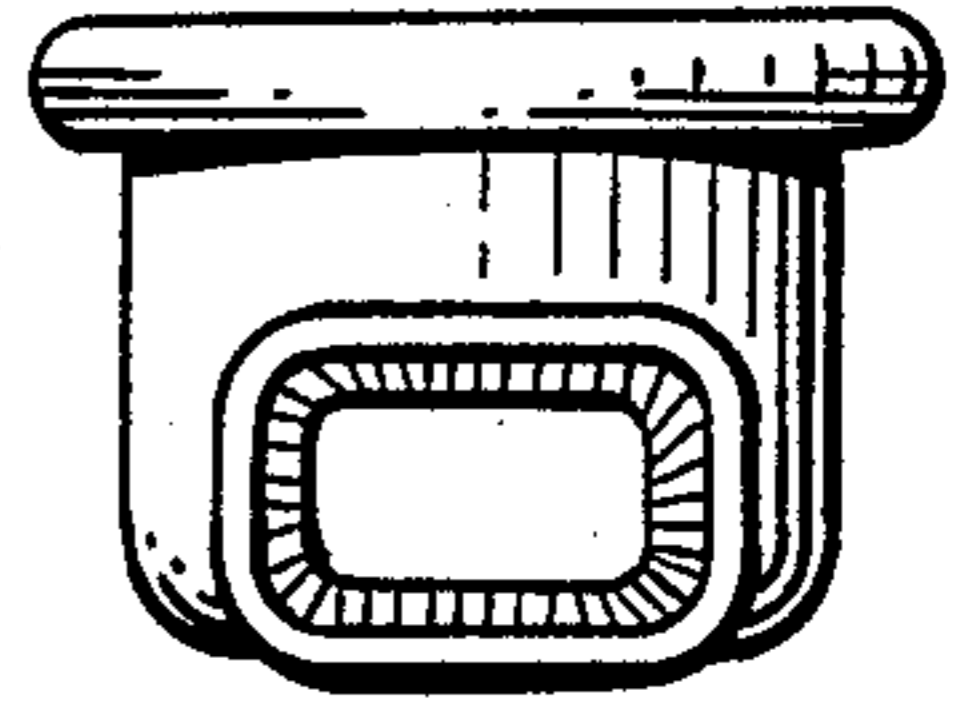


Fig. 7.

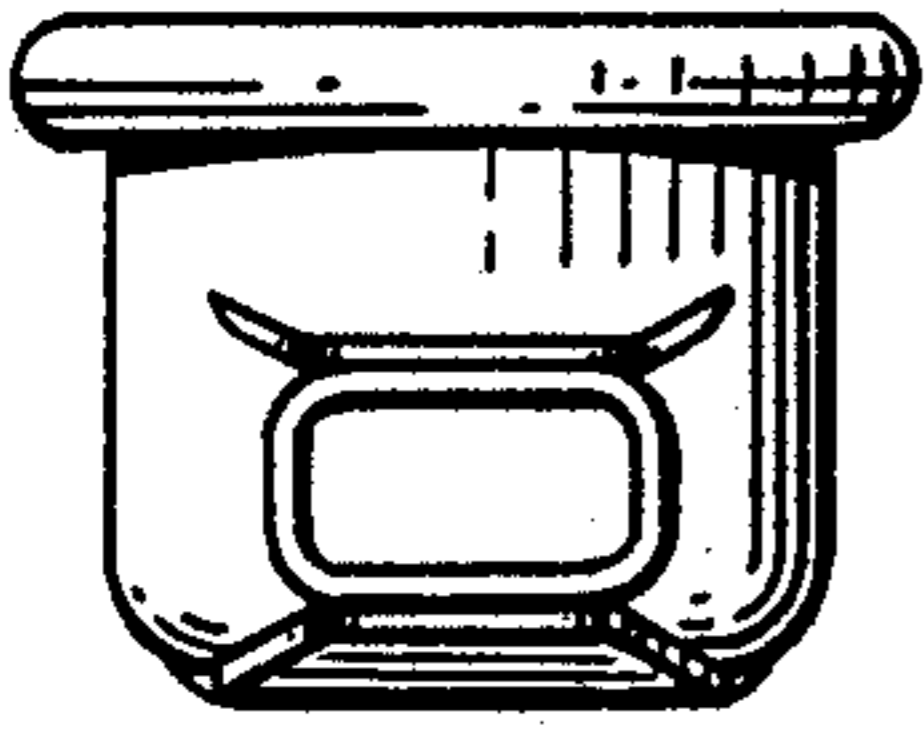


Fig. 2.

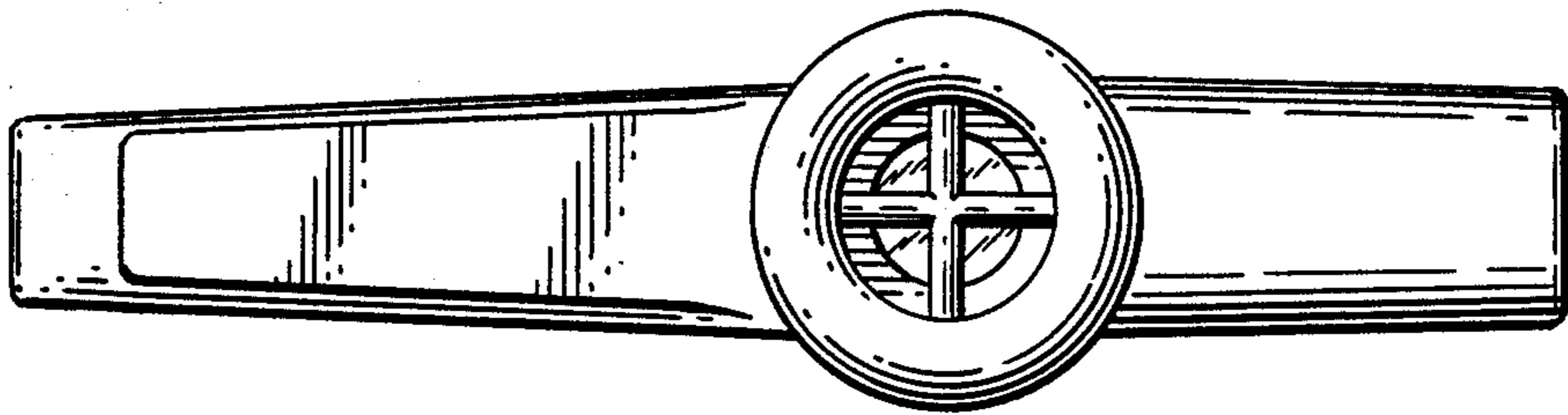


Fig. 3.

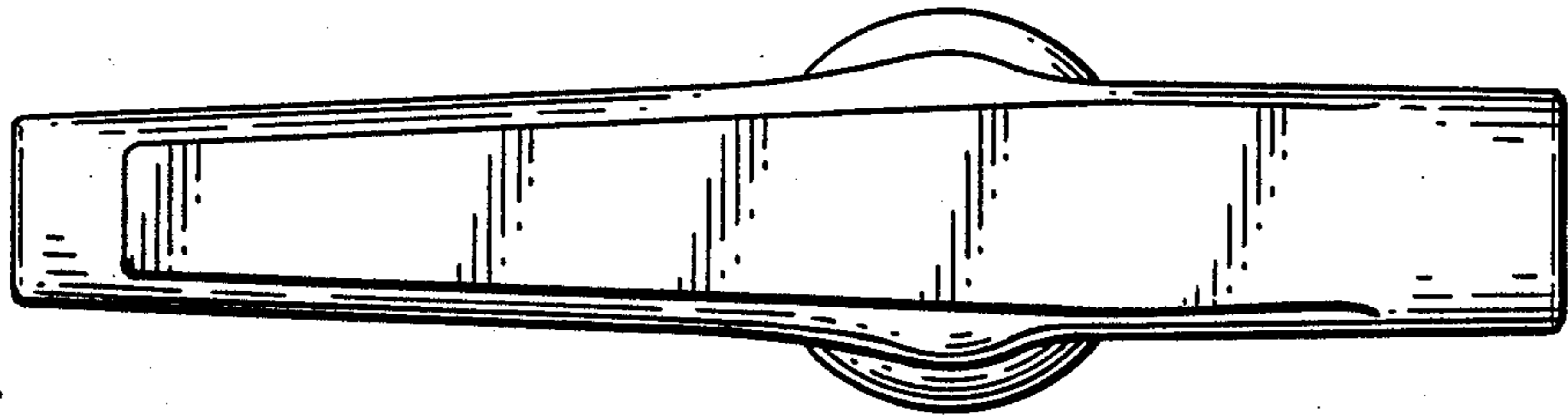


Fig. 4.

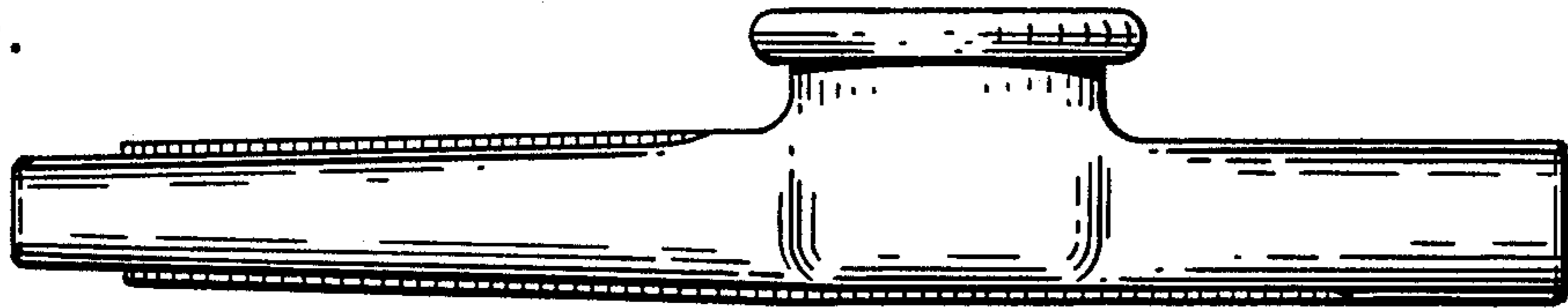


Fig. 5.

