

[54] MUSICAL MOBILE

[75] Inventors: James O. Capper, Cheadle; Ruth Elliott, Bramhall, both of England

[73] Assignee: Hestair Kiddicraft Limited, Bristol, England

[\*\*] Term: 14 Years

[21] Appl. No.: 43,472

[22] Filed: Apr. 28, 1987

[30] Foreign Application Priority Data

Nov. 4, 1986 [GB] United Kingdom ..... 1037807

[52] U.S. Cl. .... D21/63

[58] Field of Search ..... D21/59, 63, 64, 65, D21/150; D11/141; 446/215, 217, 227, 228, 229

[56] References Cited

U.S. PATENT DOCUMENTS

D. 213,982	4/1969	Simon .....	D11/141
D. 258,301	2/1981	Nakao et al. ....	D21/63
D. 261,783	11/1981	Nakao et al. ....	D11/141
D. 278,446	4/1985	Kujawski et al. ....	D21/63
D. 282,383	1/1986	Nakao et al. ....	D21/63

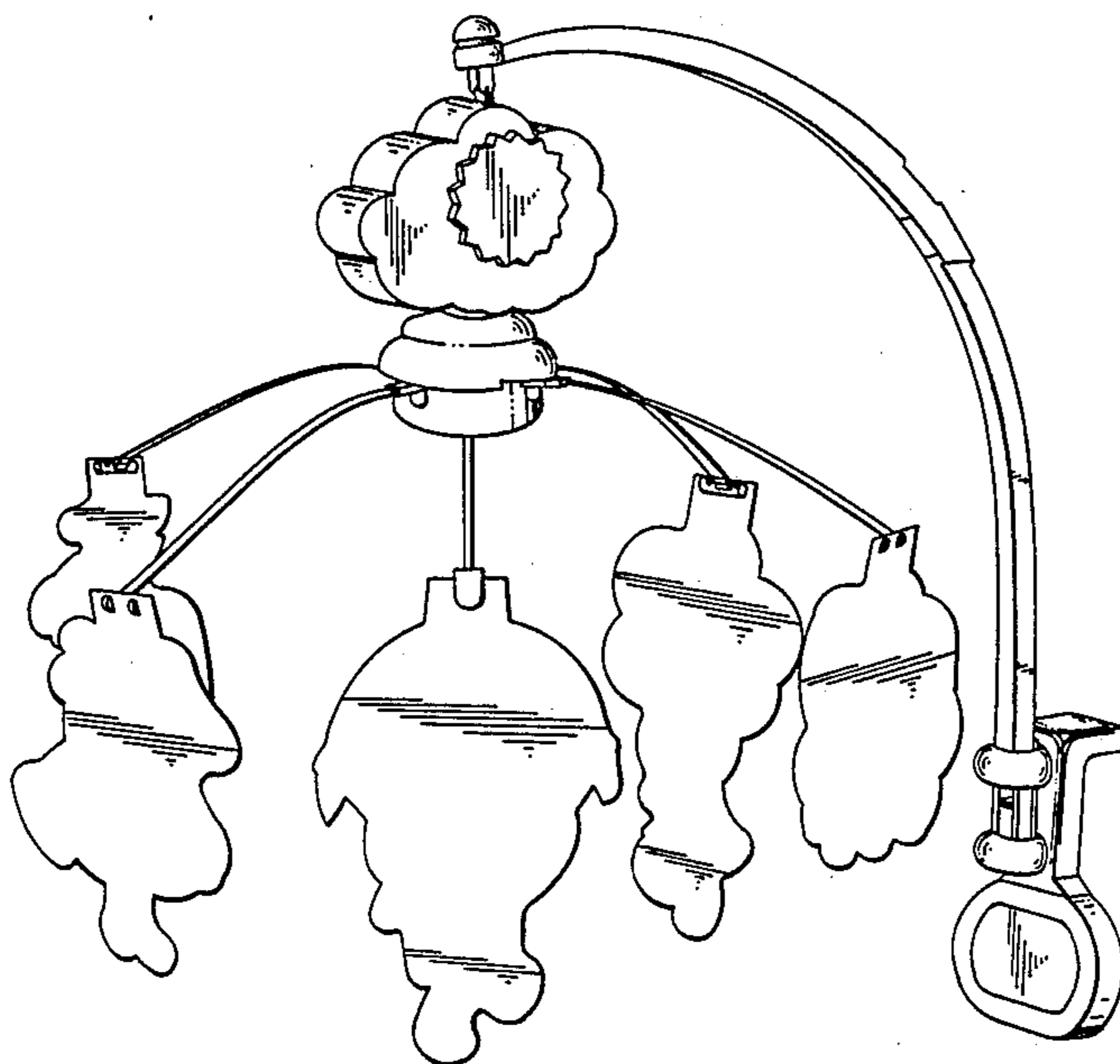
Primary Examiner—Charles A. Rademaker

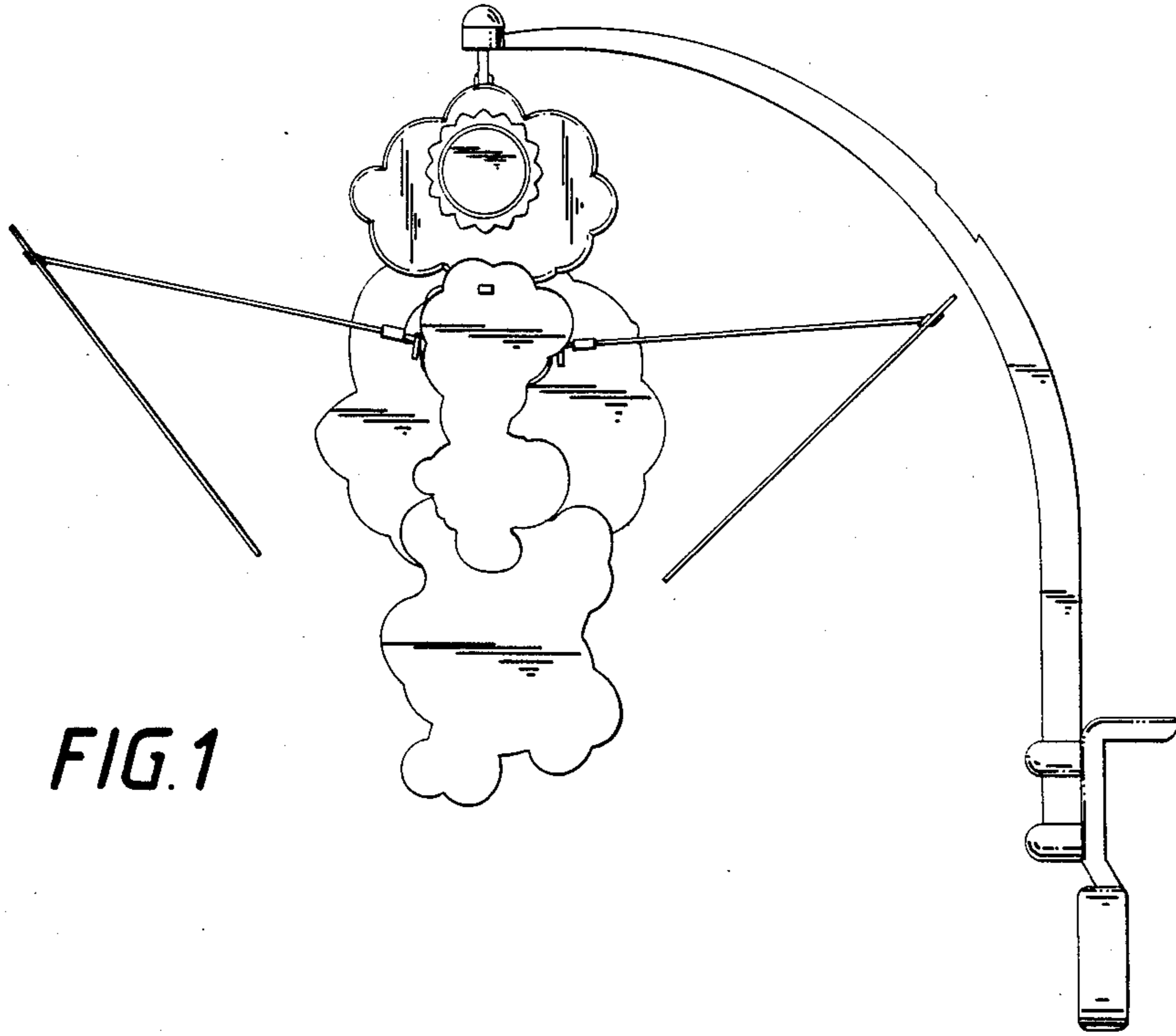
[57] CLAIM

The ornamental design for a musical mobile, as shown and described.

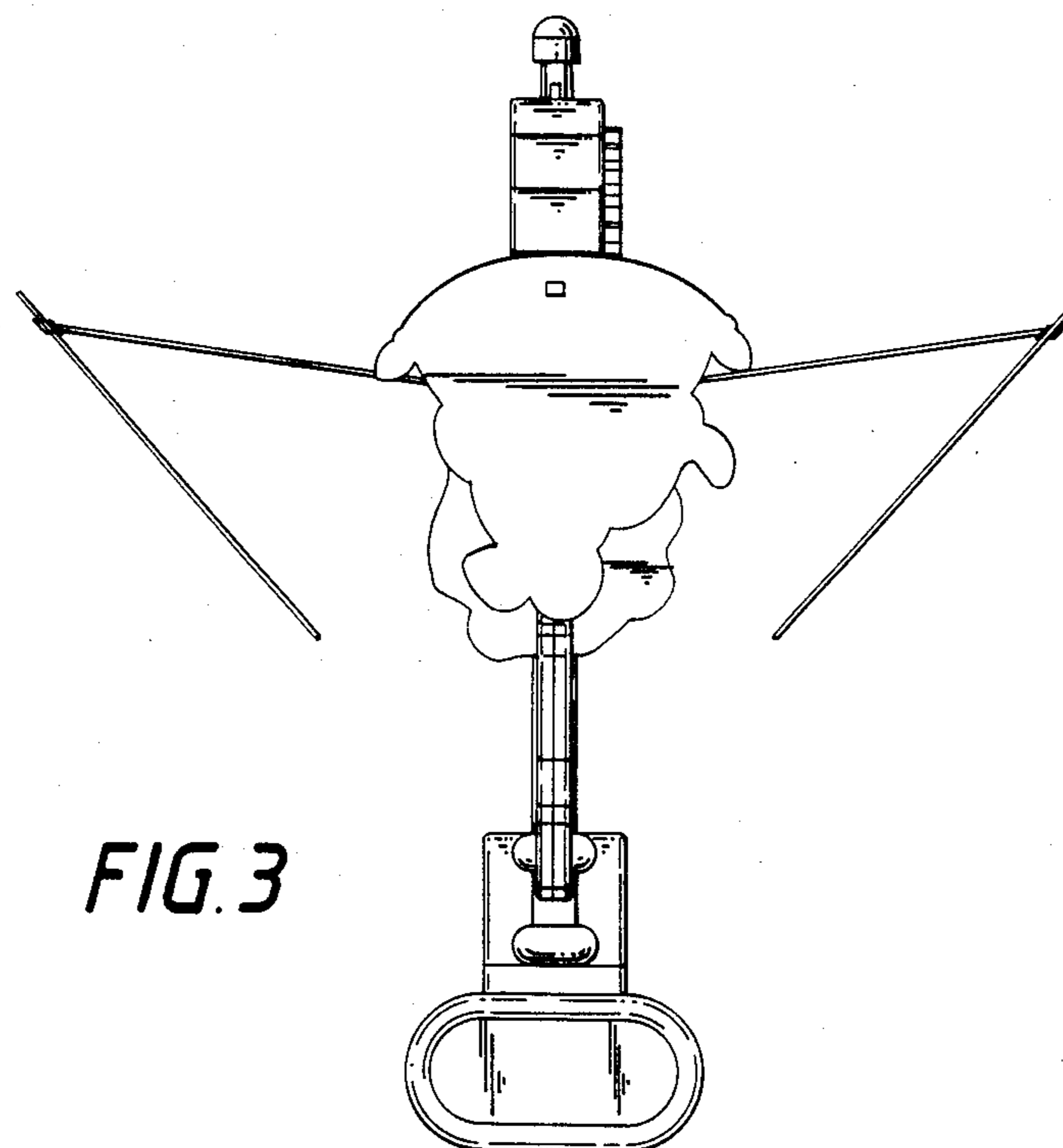
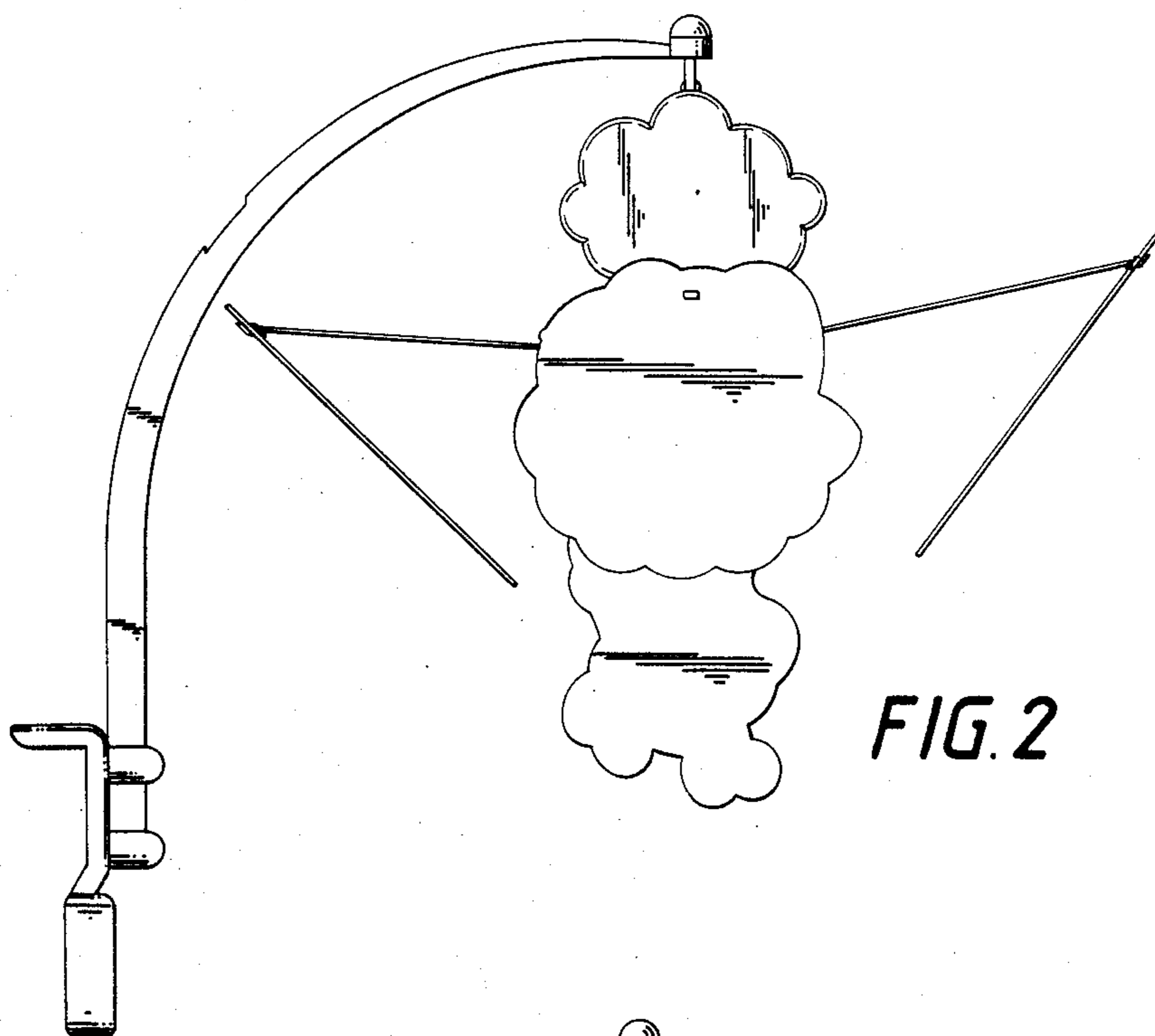
DESCRIPTION

FIG. 1 is a front elevational view of a musical mobile showing our new design; FIG. 2 is a rear elevational view thereof; FIG. 3 is an end elevational view thereof; FIG. 4 is a perspective view thereof.





**FIG. 1**



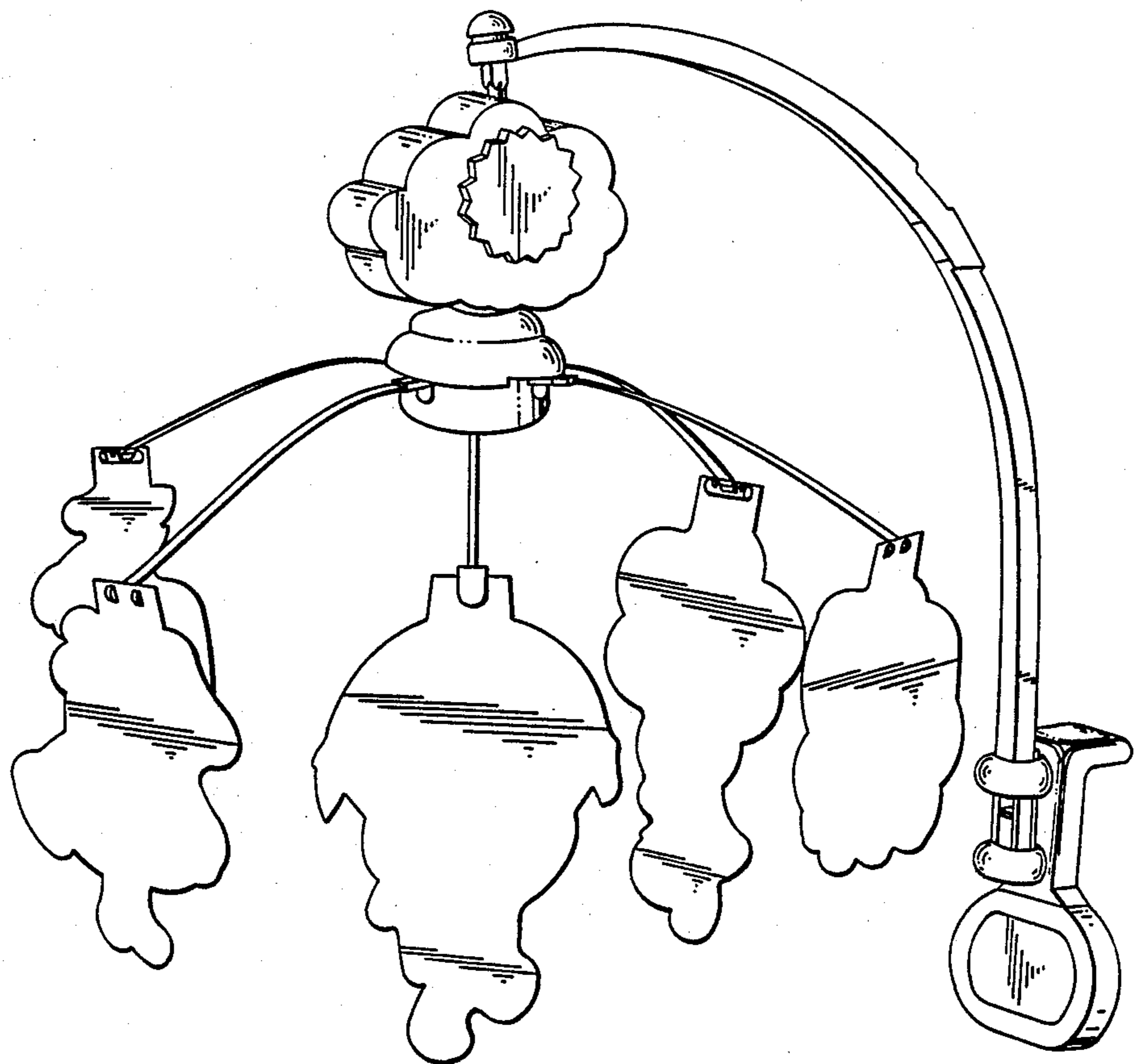


FIG. 4