

[54] REMOTE CONTROL HOLDER

[76] Inventor: Richard Zuehsow, 11 Devonshire Dr., Sterling, Va. 22170

[**] Term: 14 Years

[21] Appl. No.: 772,448

[22] Filed: Sep. 4, 1985

[52] U.S. Cl. D14/218

[58] Field of Search D14/77, 79-85, D14/99, 113; 116/DIG. 29, DIG. 30, DIG. 31; 351/191.1, 192.1, 194.1

[56] References Cited

U.S. PATENT DOCUMENTS

- D. 243,190 1/1977 Knutsson et al. D14/99
- D. 263,466 3/1982 Hiraki D14/99 X

D. 281,425 11/1985 Dulan D14/84

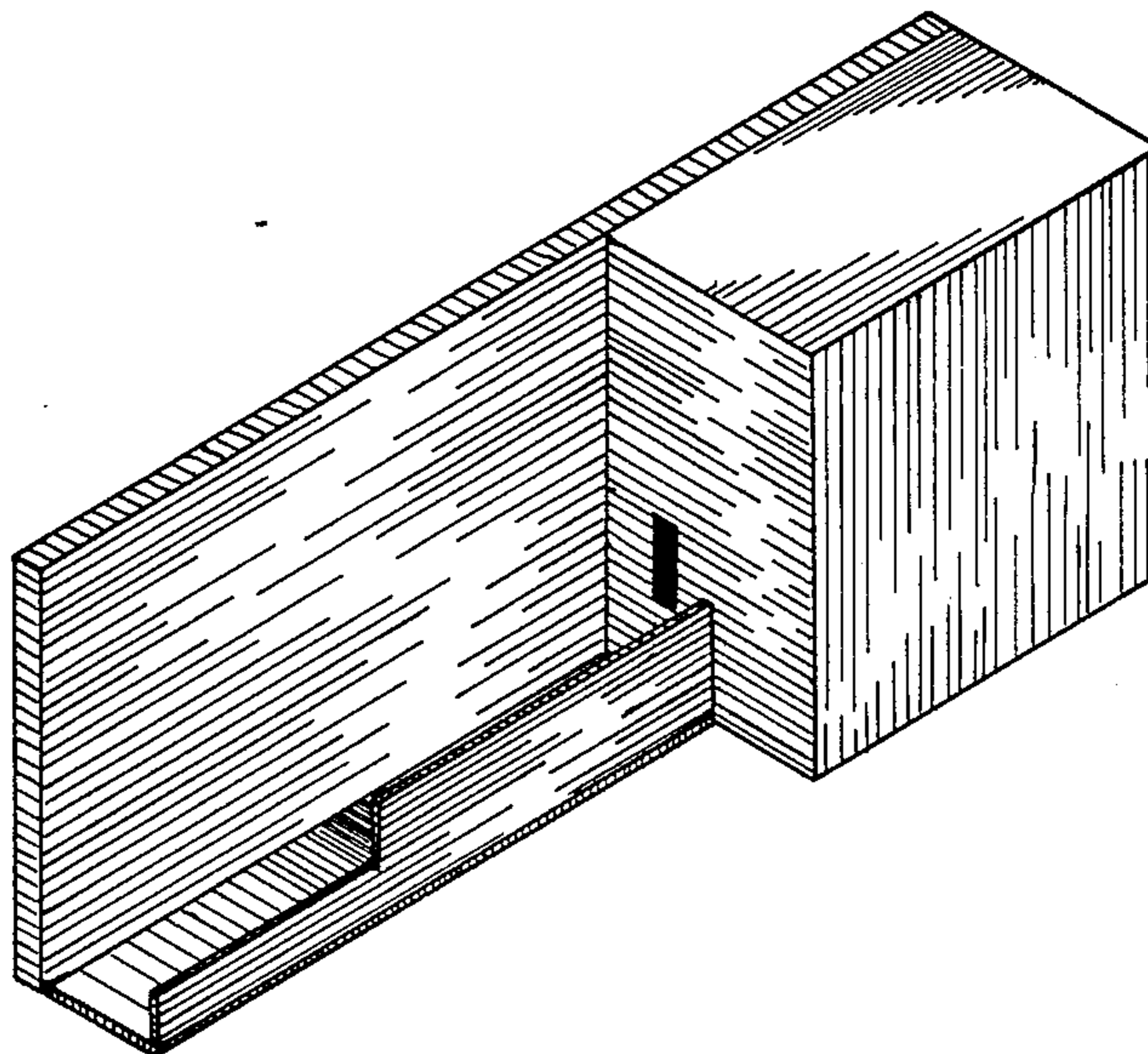
Primary Examiner—Bernard Ansher
Assistant Examiner—Theodore M. Shooman
Attorney, Agent, or Firm—James Creighton Wray

[57] CLAIM

The ornamental design for a remote control holder, as shown and described.

DESCRIPTION

FIG. 1 is a top, front and left side perspective view of a remote control holder showing my new design.
FIG. 2 is a bottom plan view thereof;
FIG. 3 is a right side elevational view thereof;
FIG. 4 is a left side elevational view thereof;
FIG. 5 is a plan view of the embodiment of FIG. 3.
The rear of the remote control holder is plane and unornamented.



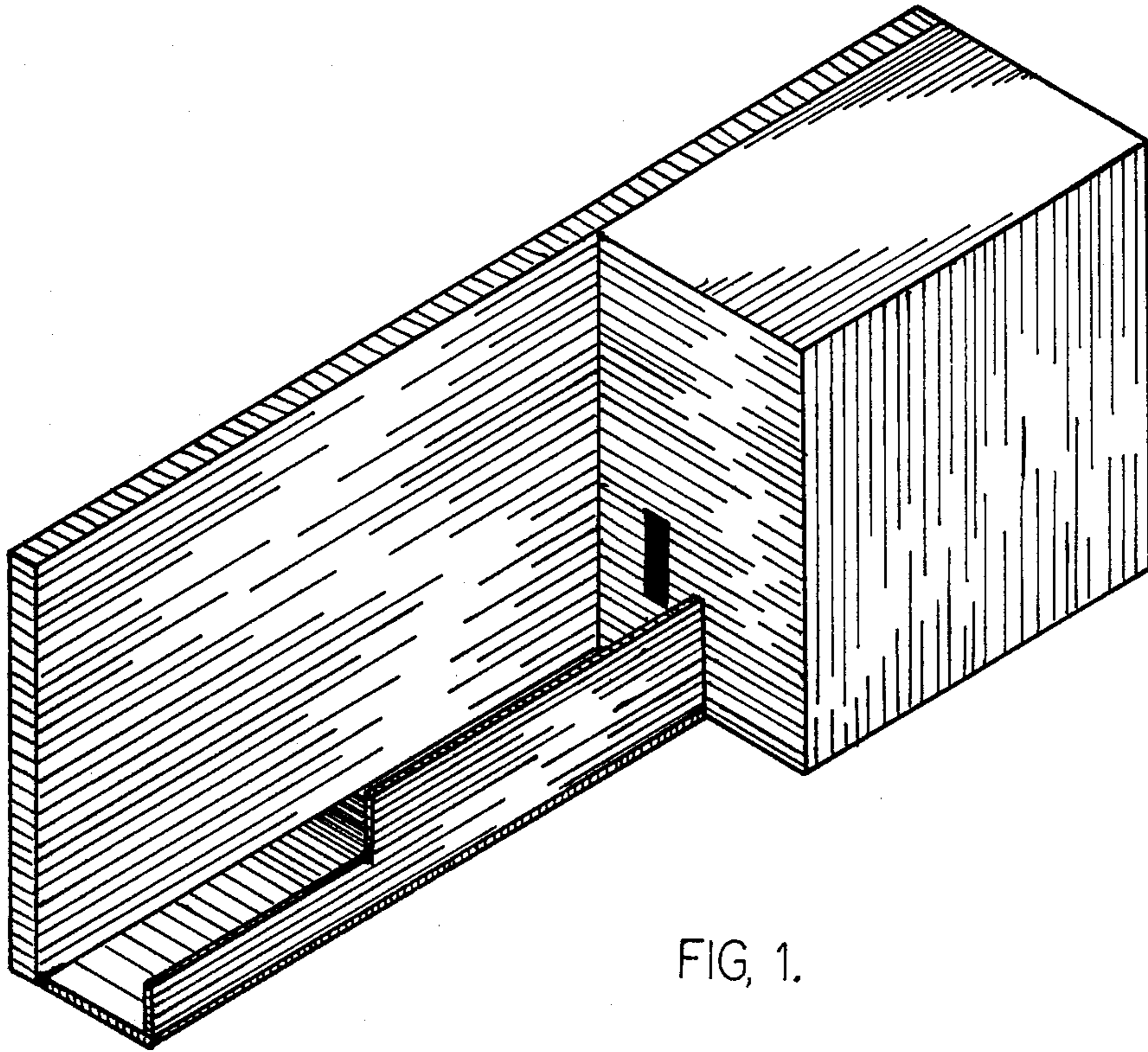


FIG. 1.

FIG. 2

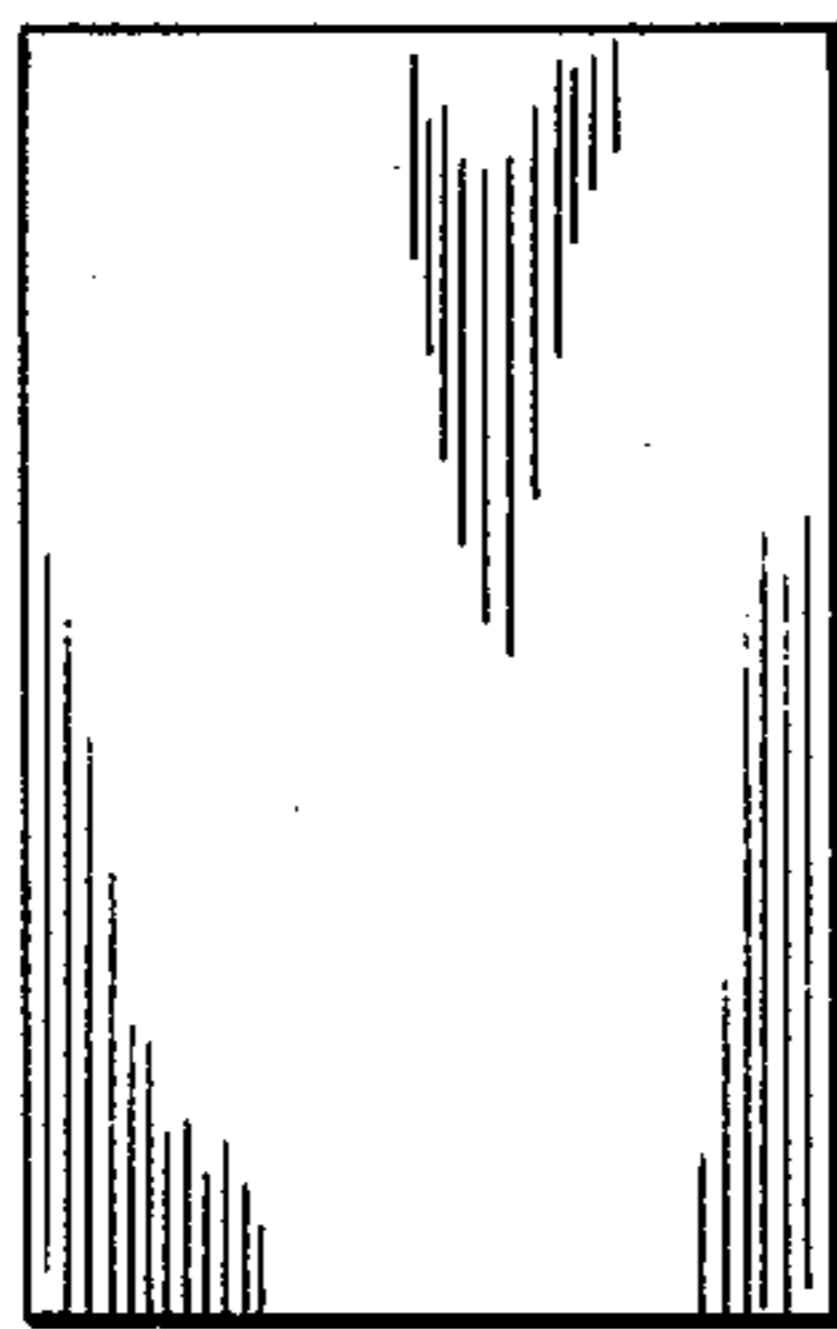
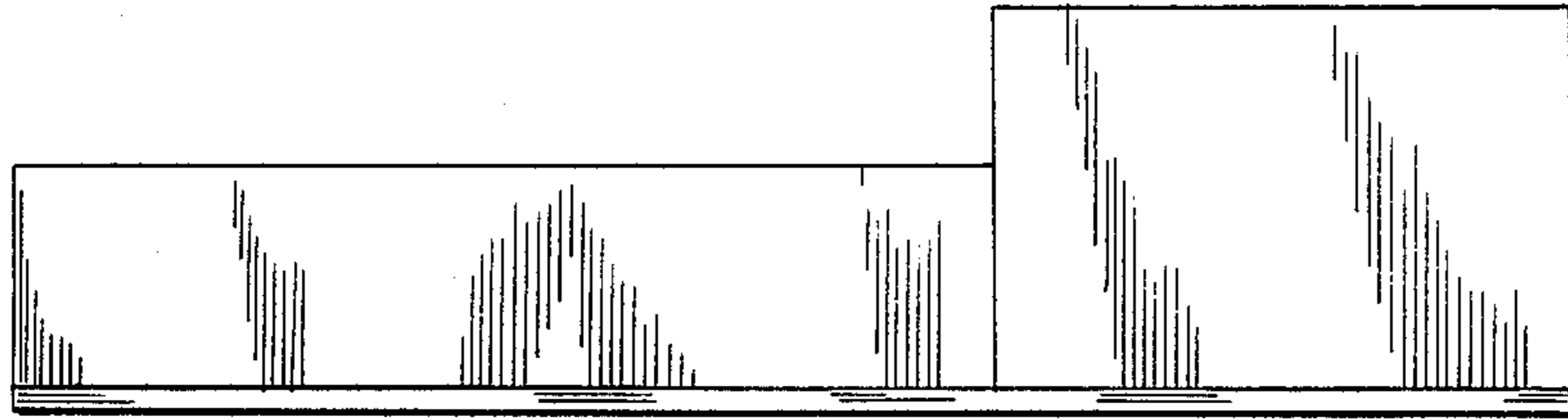


FIG. 3

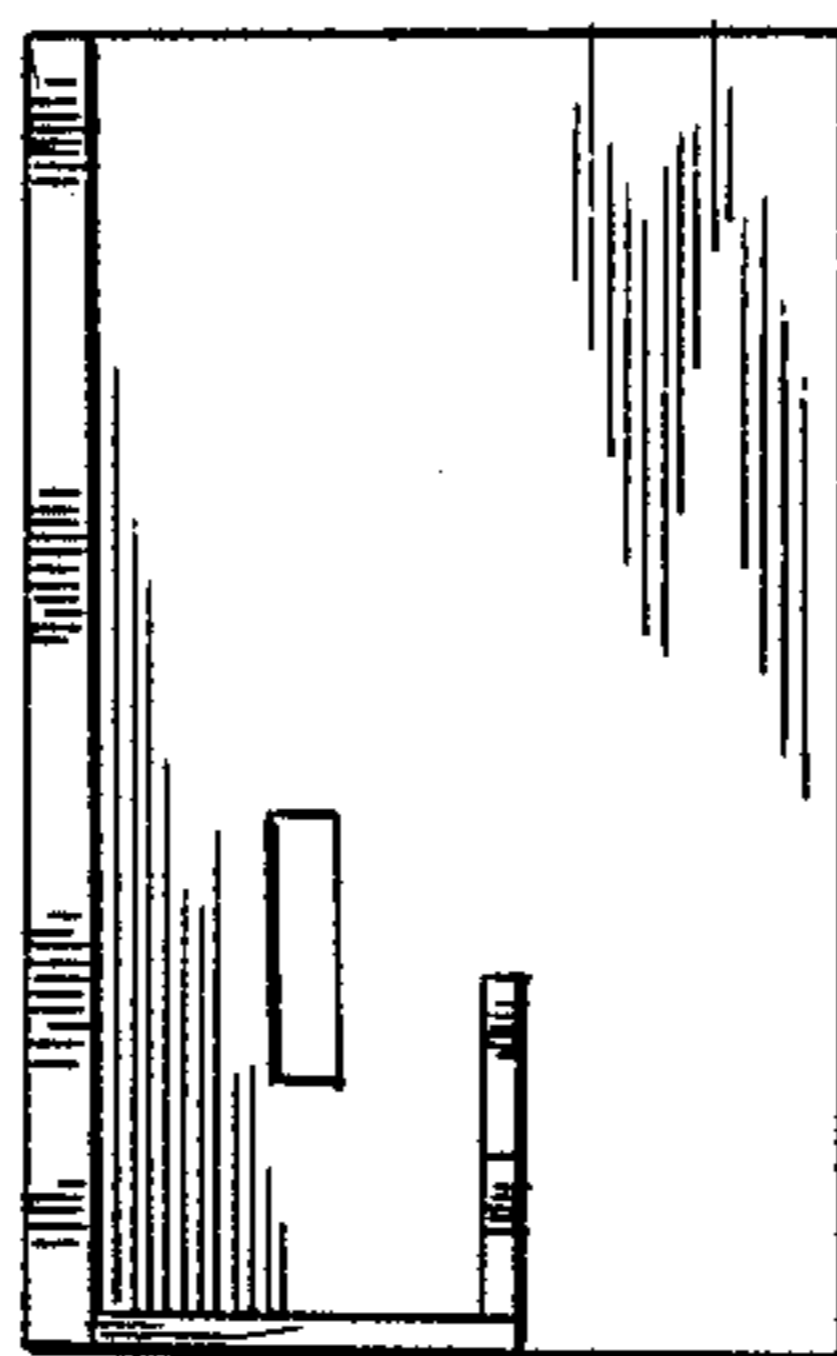


FIG. 4