

[54] COMMUNICATION SYSTEMS EQUIPMENT CABINET

[75] Inventor: Willi Lotz, Carp, Canada

[73] Assignee: Trilium Telephone Systems Inc., Ontario, Canada

[**] Term: 14 Years

[21] Appl. No.: 936,374

[22] Filed: Dec. 1, 1986

[30] Foreign Application Priority Data

Sep. 18, 1986 [CA] Canada 18-09-86-9

[52] U.S. Cl. D14/240; D13/40

[58] Field of Search D13/12, 40-41, D13/99; D14/58; D6/512, 553, 559; 307/150, 112

[56] References Cited

U.S. PATENT DOCUMENTS

D. 282,654 2/1986 Perry et al. D13/41

D. 295,400 4/1988 Wung D13/12

3,279,871 10/1966 Albright D13/12 X
4,217,624 8/1980 Tuck 307/150 X
4,331,883 5/1982 Vitaloni 307/150

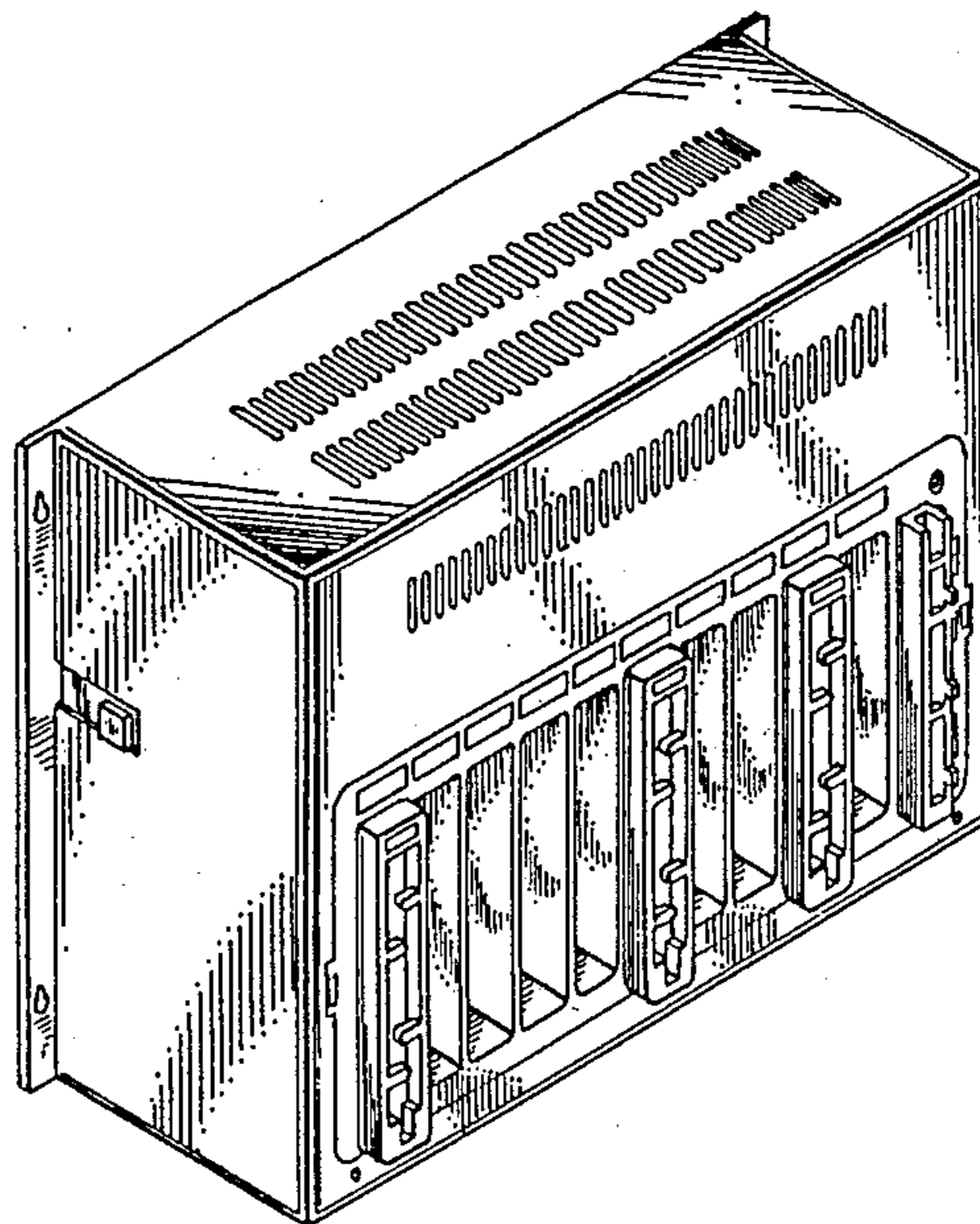
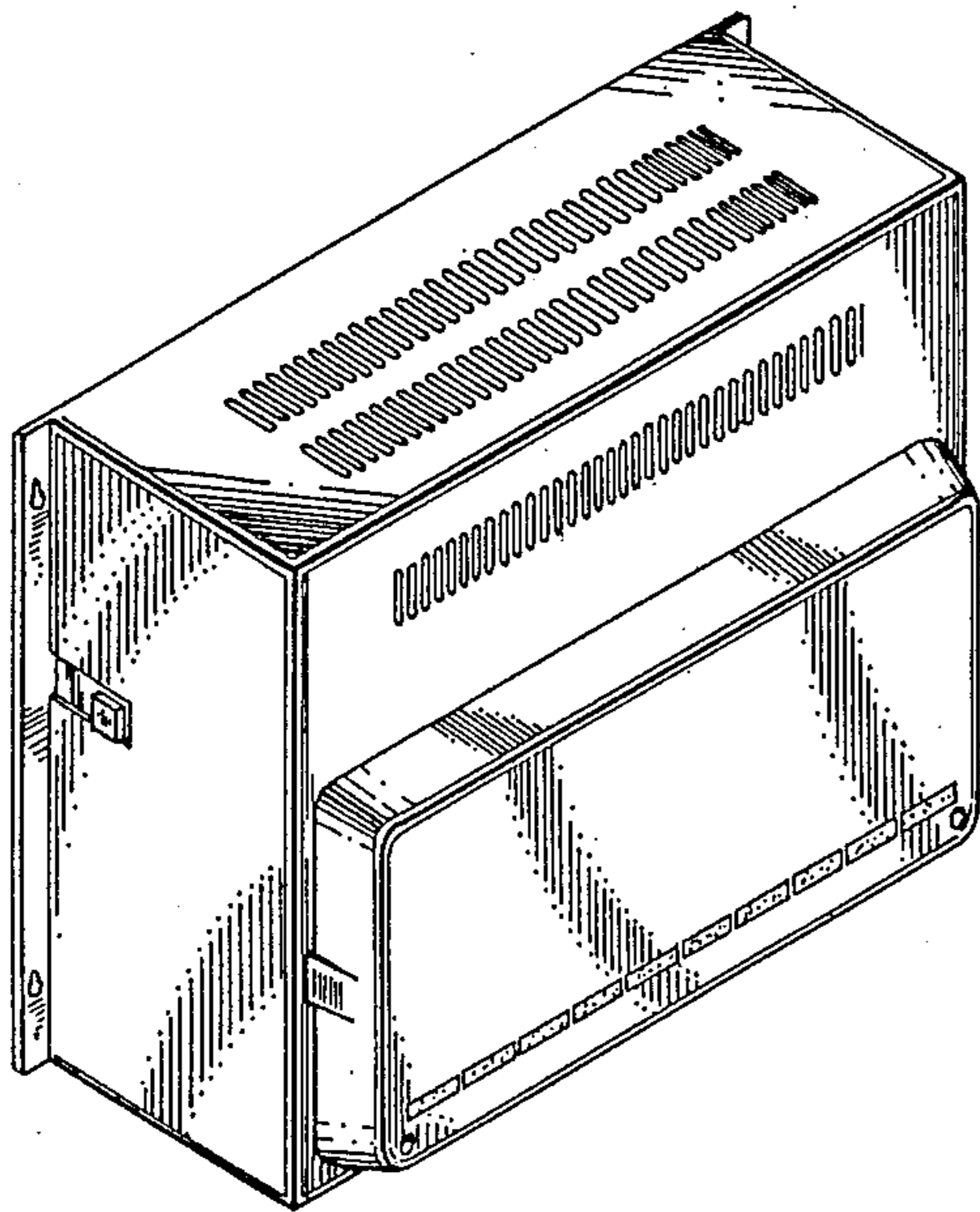
Primary Examiner—Wallace R. Burke
Assistant Examiner—Brian N. Vinson
Attorney, Agent, or Firm—Sandler & Greenblum

[57] CLAIM

The ornamental design for a communication systems equipment cabinet, as shown as described.

DESCRIPTION

FIG. 1 is a left side perspective view of a communication systems equipment cabinet showing my new design;
FIG. 2 is a top plan view thereof;
FIG. 3 is a front elevational view thereof;
FIG. 4 is a rear elevational view thereof;
FIG. 5 is a bottom elevational view thereof;
FIG. 6 is a left side elevational view thereof;
FIG. 7 is a right side elevational view thereof; and
FIG. 8 is a left side perspective view thereof with the lid removed.



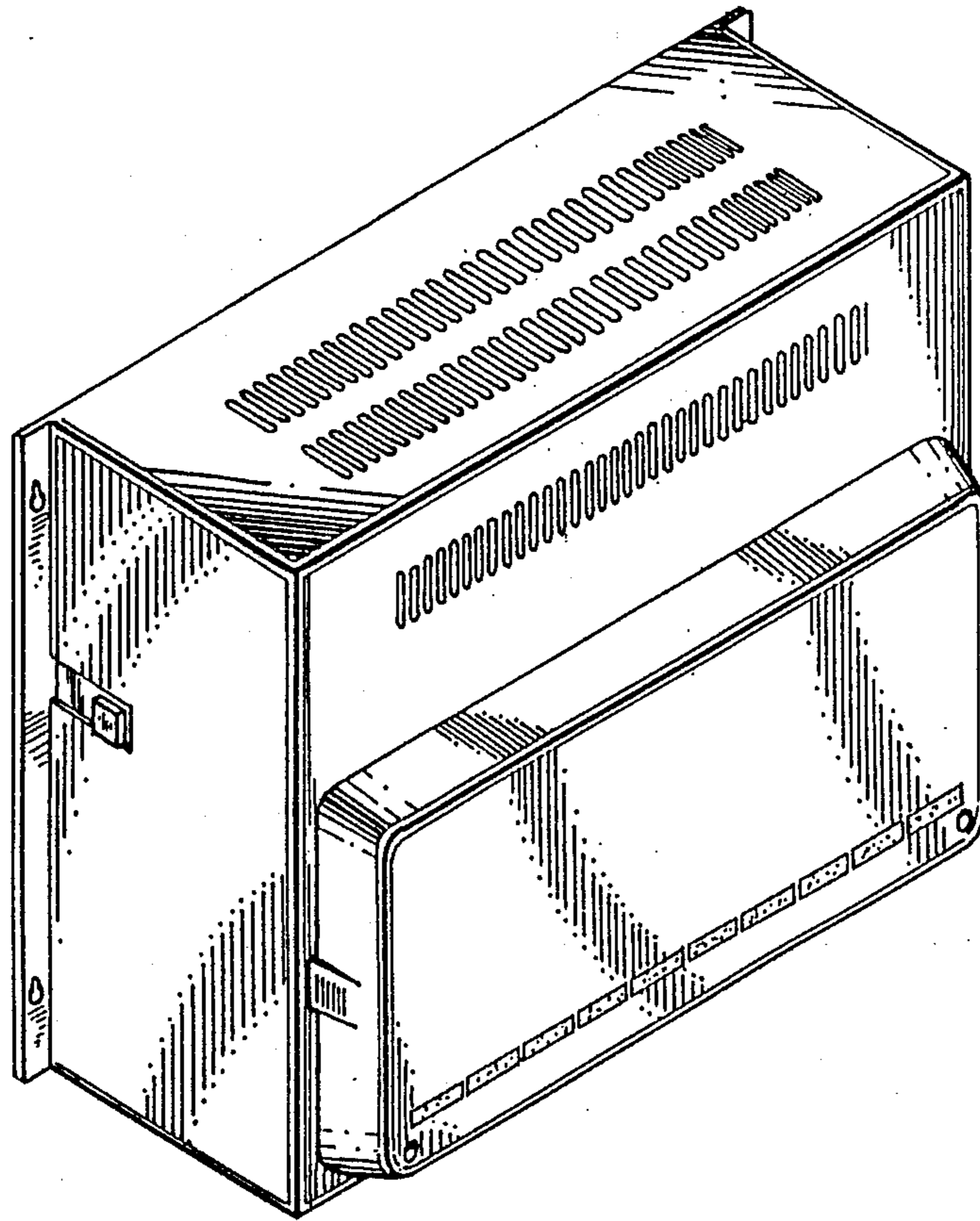


FIG. 1

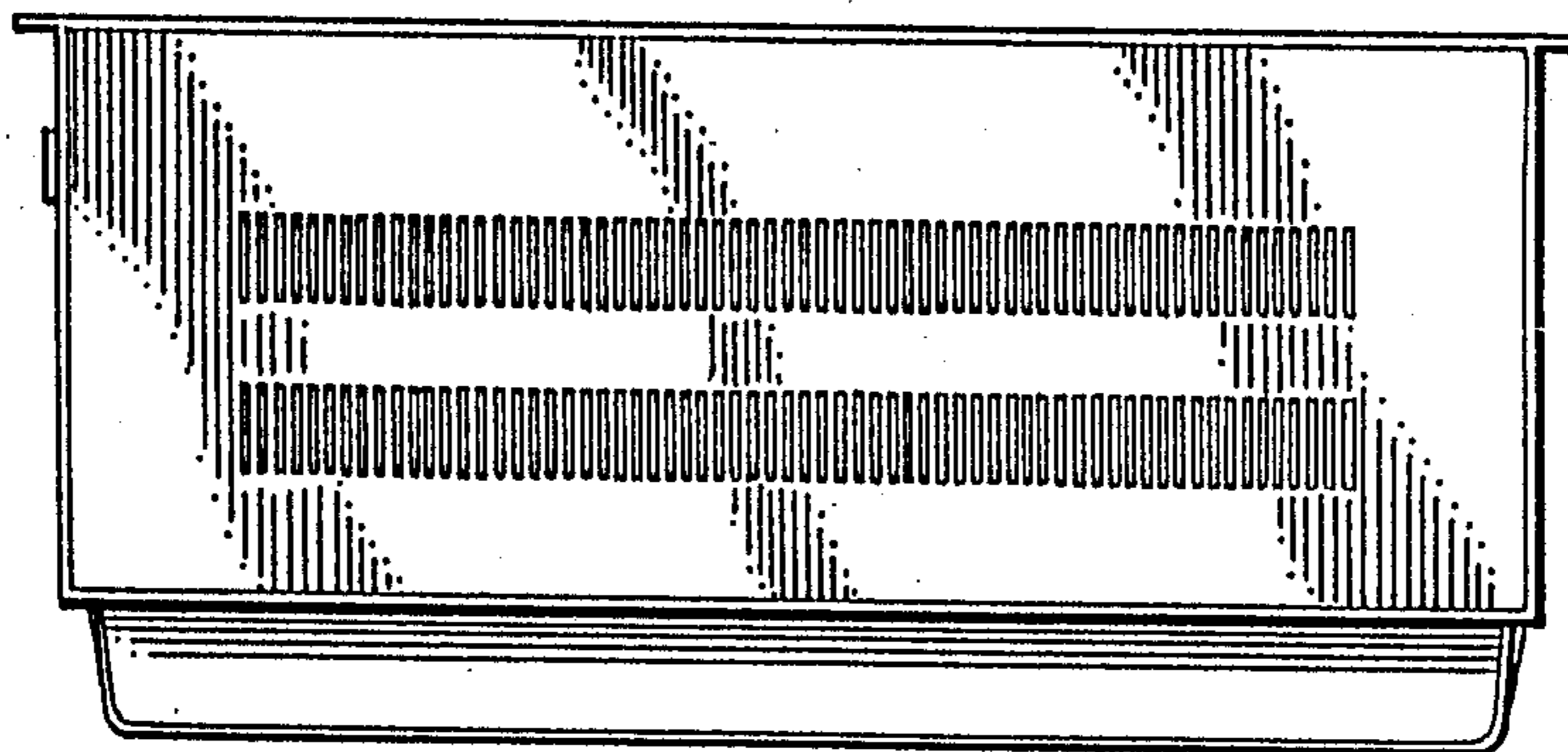


FIG. 2

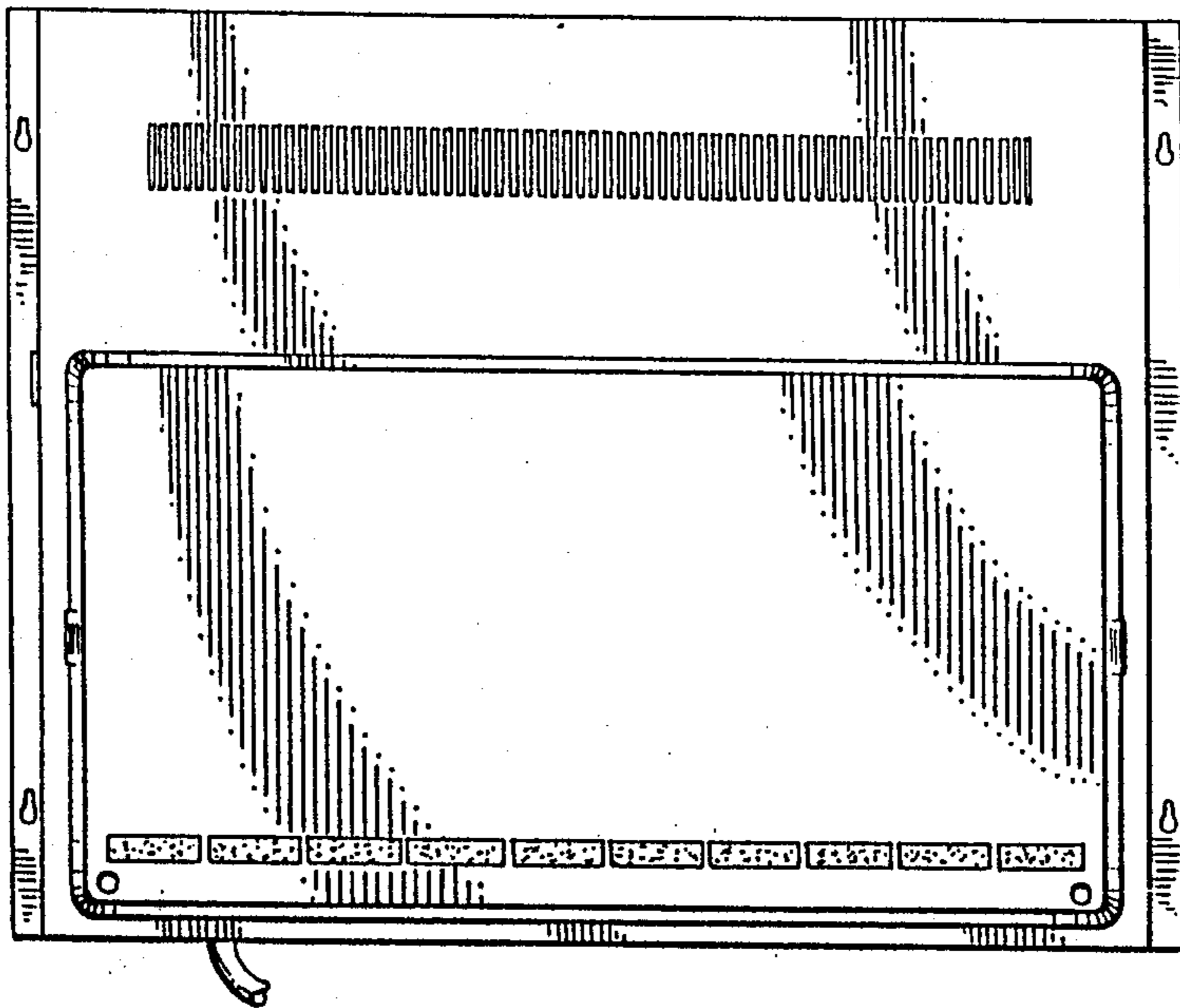


FIG. 3

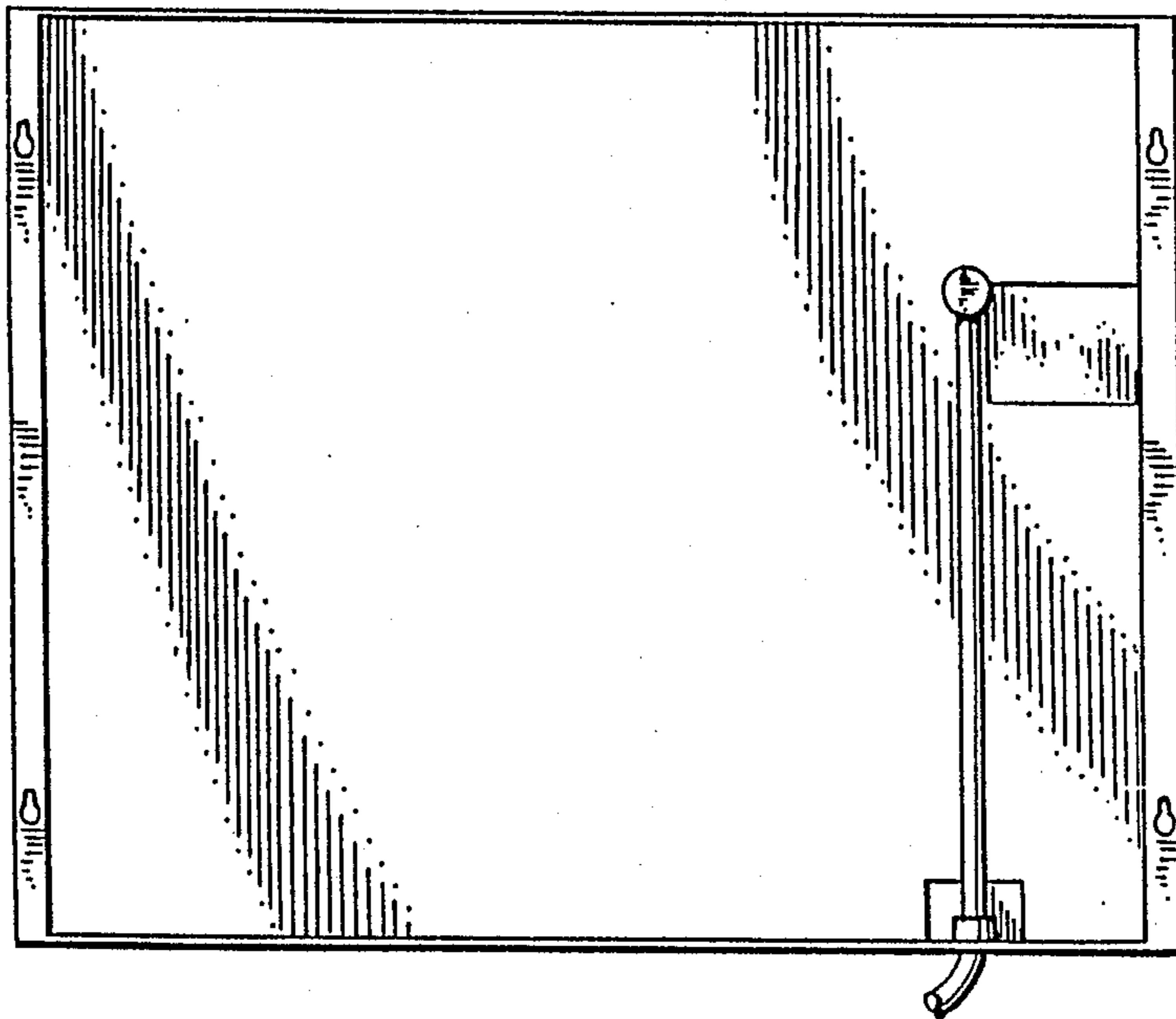


FIG. 4

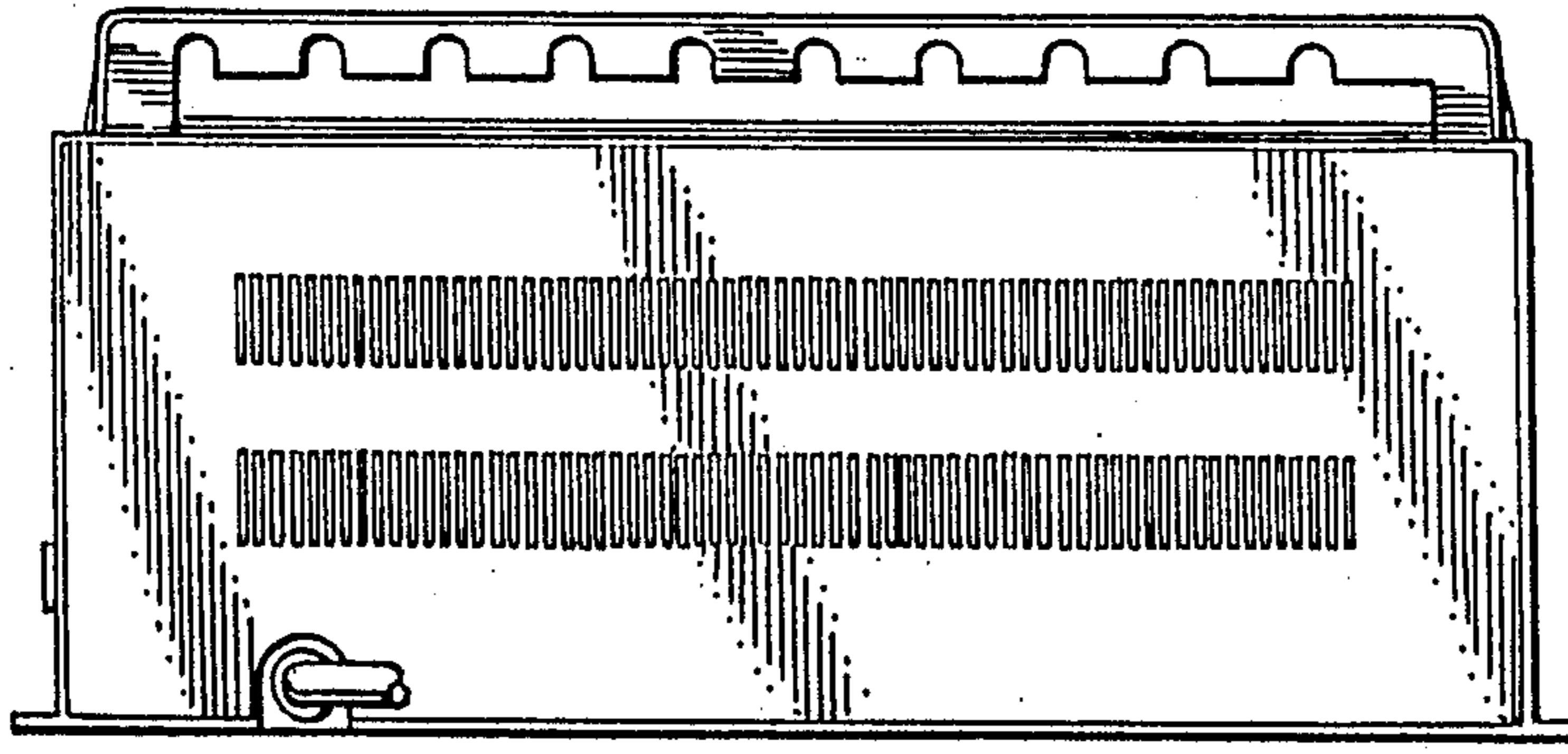


FIG. 5

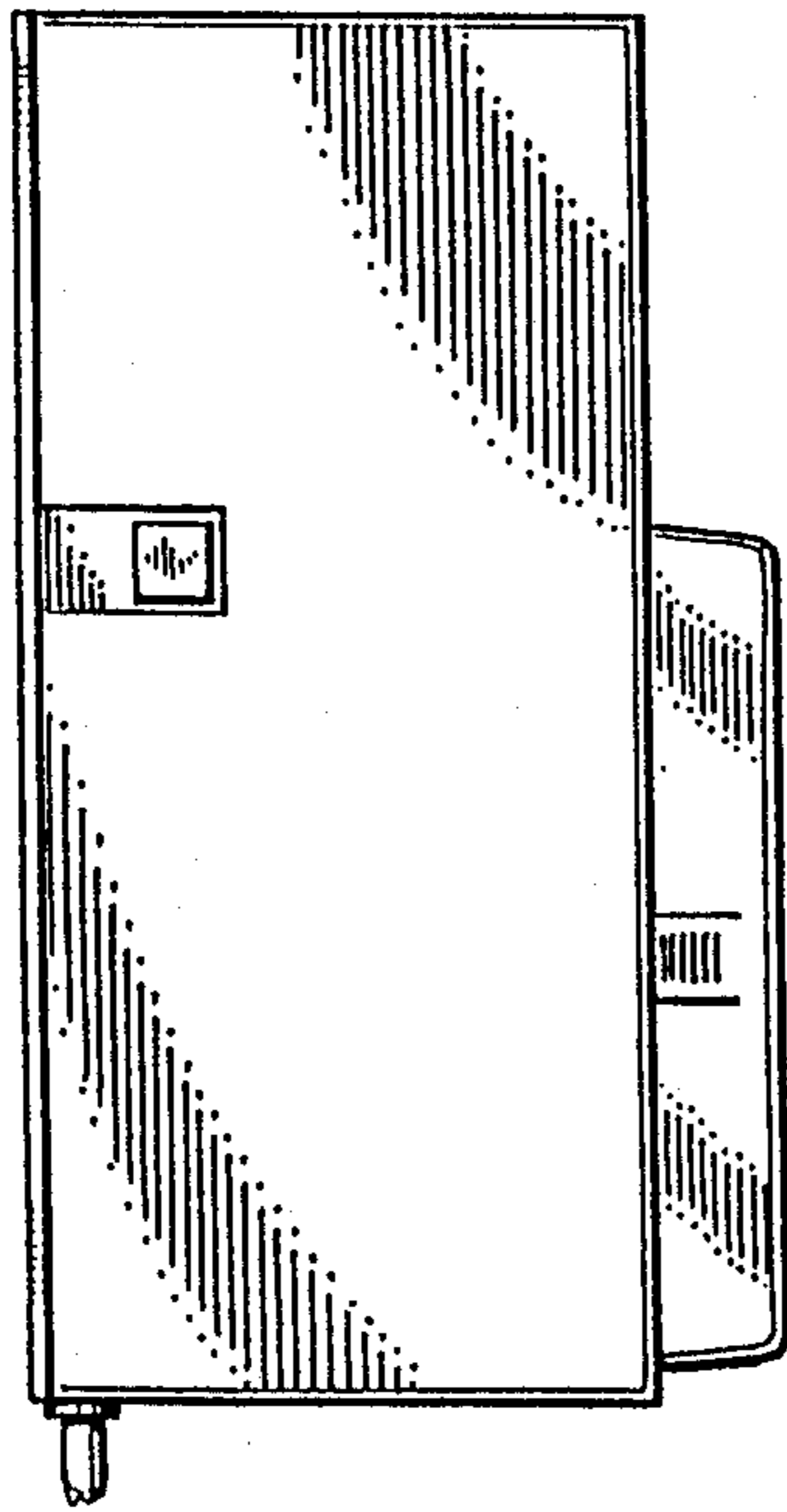


FIG. 6

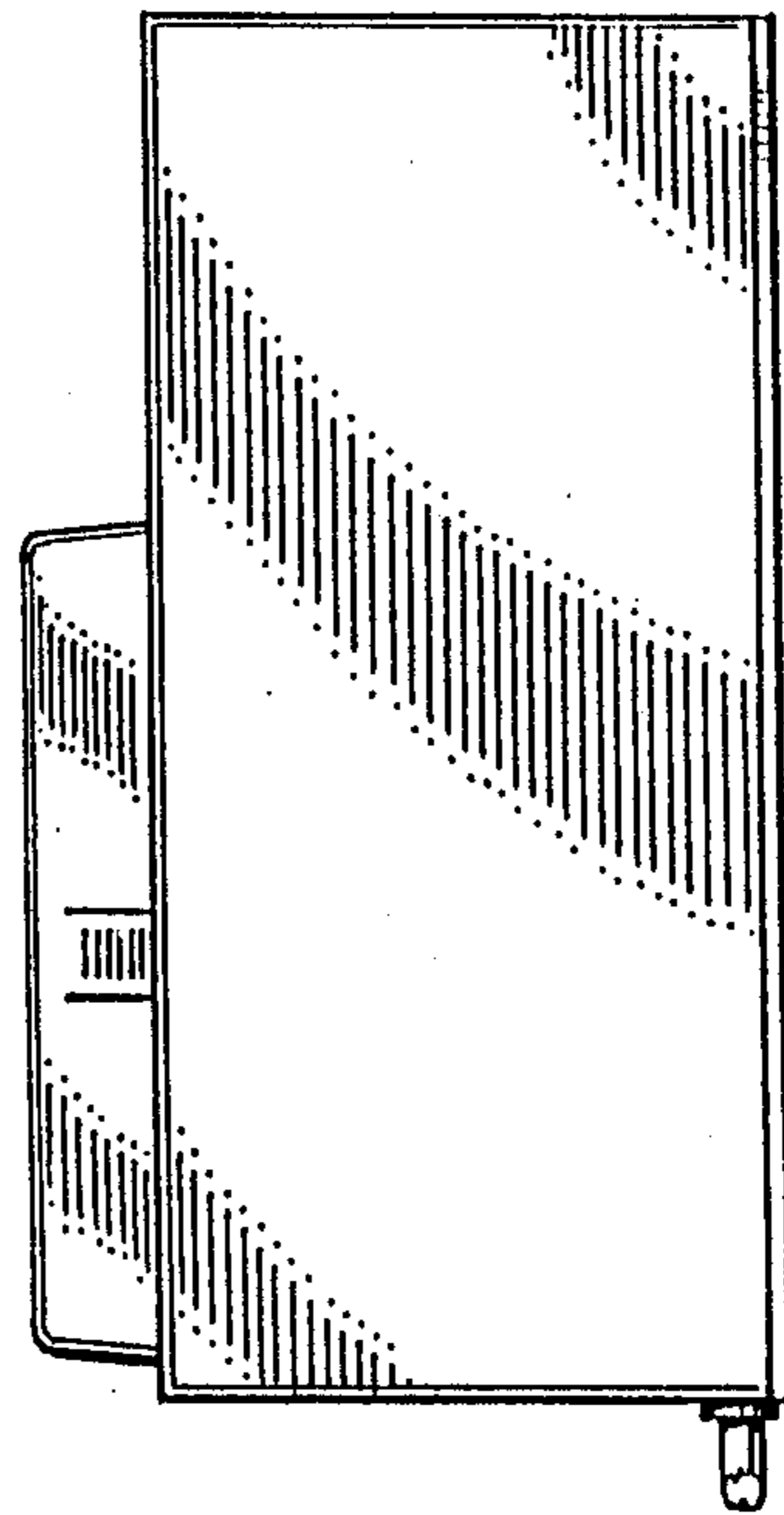


FIG. 7

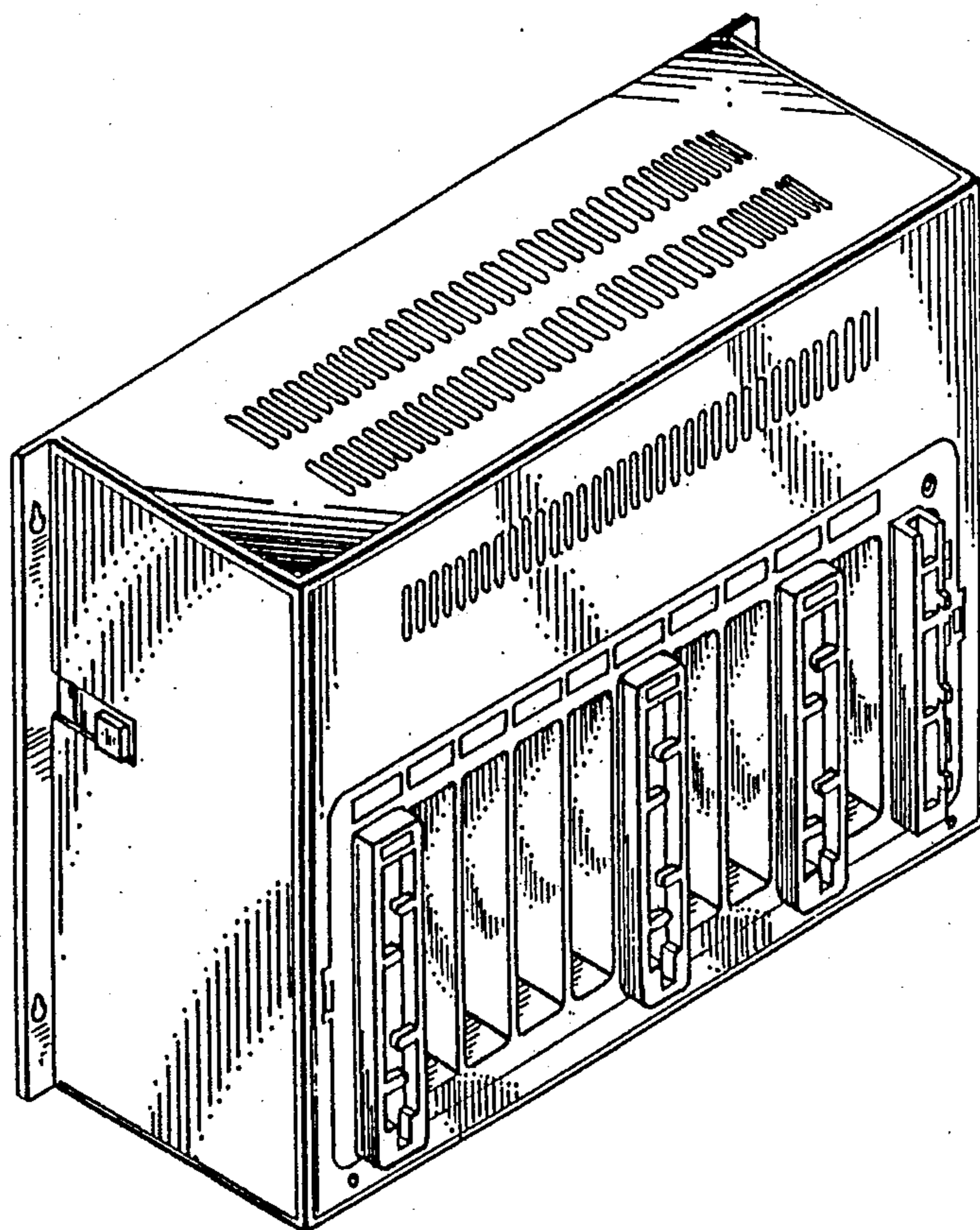


FIG. 8