

[54] **MULTIPLE RECEPTACLE ELECTRICAL CONNECTOR**

[75] **Inventors:** Shuichi Matsuzaki; Akira Nakazawa, both of Tokyo, Japan

[73] **Assignee:** Hirose Electric Co., Ltd., Tokyo, Japan

[*] **Notice:** The portion of the term of this patent subsequent to Feb. 24, 2001 has been disclaimed.

[**] **Term:** 14 Years

[21] **Appl. No.:** 768,944

[22] **Filed:** Aug. 23, 1985

[30] **Foreign Application Priority Data**

Feb. 27, 1985 [JP]	Japan	60-7116
Feb. 27, 1985 [JP]	Japan	60-7118
Feb. 27, 1985 [JP]	Japan	60-7120

[52] **U.S. Cl.** D13/24

[58] **Field of Search** D13/24-31;
439/668, 347, 418, 189, 676, 82; 379/324,
326-328, 442, 443

[56] **References Cited**

U.S. PATENT DOCUMENTS

D. 218,973	10/1970	Pritulsky	D13/24
3,688,243	8/1972	Yamada et al.	439/676
4,168,877	9/1979	Little et al.	439/347
4,225,209	9/1980	Hughes	439/676
4,231,628	11/1980	Hughes	339/17 LC
4,290,664	9/1981	Davis et al.	379/442
4,295,702	10/1981	Snyder	439/668
4,303,296	12/1981	Spaulding	339/122 R

OTHER PUBLICATIONS

PCT Patent Application No. PCT/US83/00456, Oct. 1983, Johnston et al.

Burndy, Flexway Undercarpet Systems brochure, ©1984, Splitting & Bridging Adapters, top & ctr. photos.

Primary Examiner—Bruce W. Dunkins

Assistant Examiner—Clare E. Heflin
Attorney, Agent, or Firm—Rosen, Dainow & Jacobs

[57] **CLAIM**

The ornamental design for a multiple receptacle electrical connector, as shown and described.

DESCRIPTION

FIG. 1 is a top, front and right side perspective view of a multiple receptacle electrical connector showing our new design;

FIG. 2 is a top plan view thereof;

FIG. 3 is a front elevational view thereof;

FIG. 4 is a left side elevational view thereof;

FIG. 5 is a bottom plan view thereof;

FIG. 6 is a rear elevational view thereof;

FIG. 7 is a cross-sectional view thereof taken along the line 7—7 of FIG. 3;

FIG. 8 is a cross-sectional view thereof taken along the line 8—8 of FIG. 3;

FIG. 9 is a top, front and right side perspective view of a first alternative embodiment of an electrical connector receptacle showing our new design;

FIG. 10 is a top plan view thereof;

FIG. 11 is a front elevational view thereof;

FIG. 12 is a left side elevational view thereof;

FIG. 13 is a bottom plan view thereof;

FIG. 14 is a rear elevational view thereof;

FIG. 15 is a cross-sectional view thereof taken along the line 15—15 of FIG. 11;

FIG. 16 is a cross-sectional view thereof taken along the line 16—16 of FIG. 11;

FIG. 17 is a top, front and right side perspective view of a second alternative embodiment of an electrical connector receptacle showing our new design;

FIG. 18 is a top plan view thereof;

FIG. 19 is a front elevational view thereof;

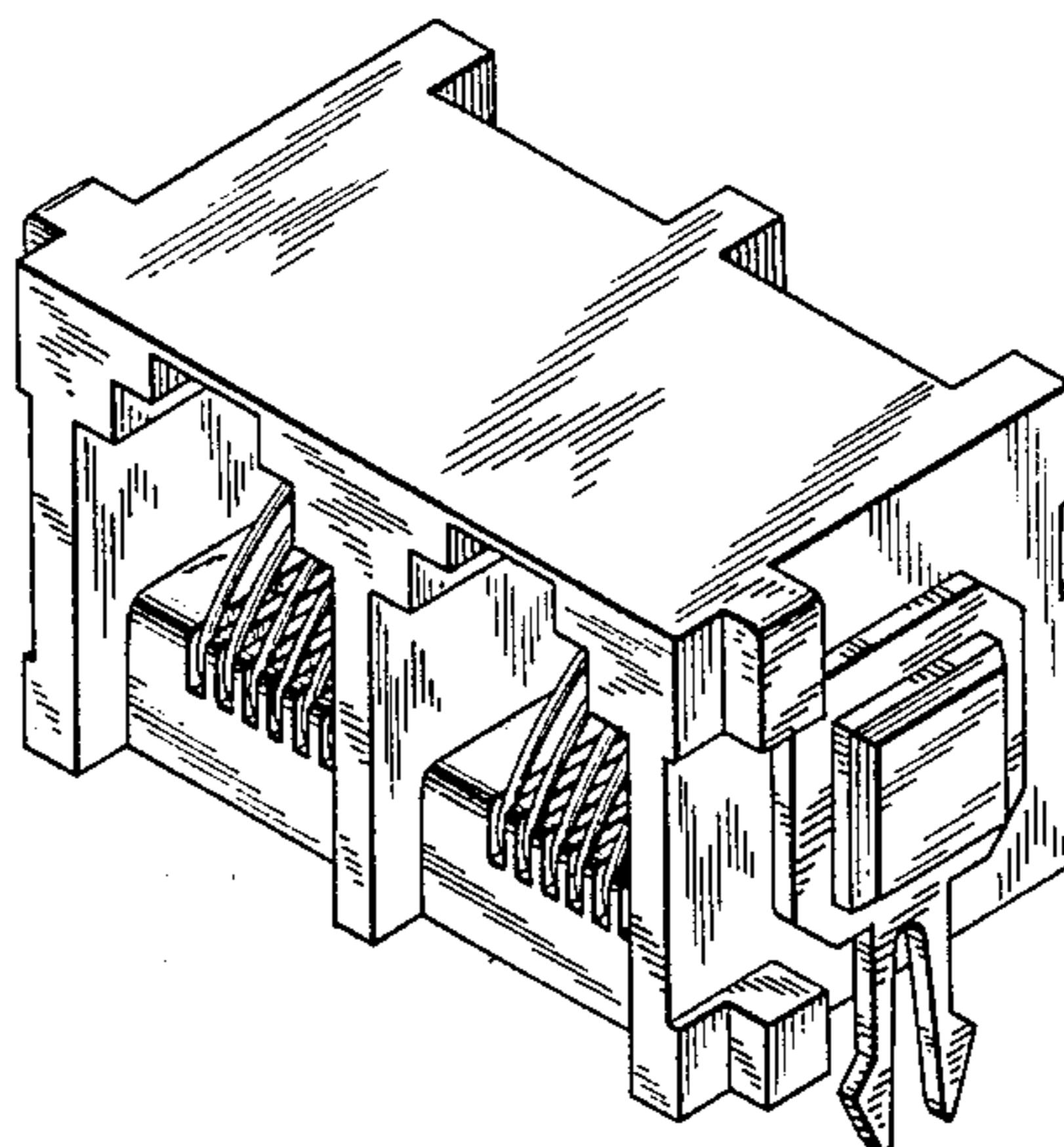
FIG. 20 is a left side elevational view thereof;

FIG. 21 is a bottom plan view thereof;

FIG. 22 is a rear elevational view thereof;

FIG. 23 is a cross-sectional view thereof taken along the line 23—23 of FIG. 19;

FIG. 24 is a cross-sectional view thereof taken along the line 24—24 of FIG. 19.



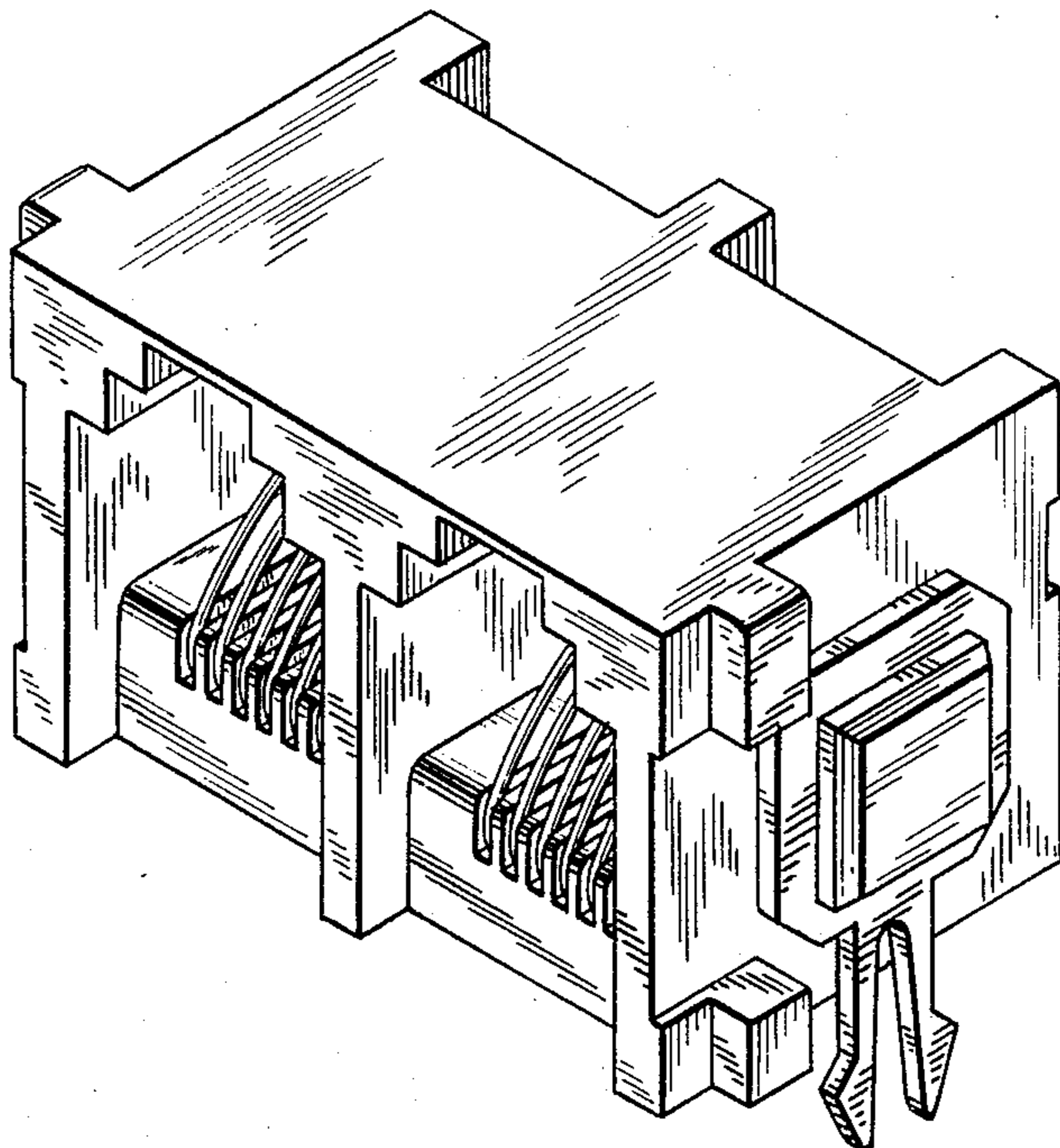


FIG. 1

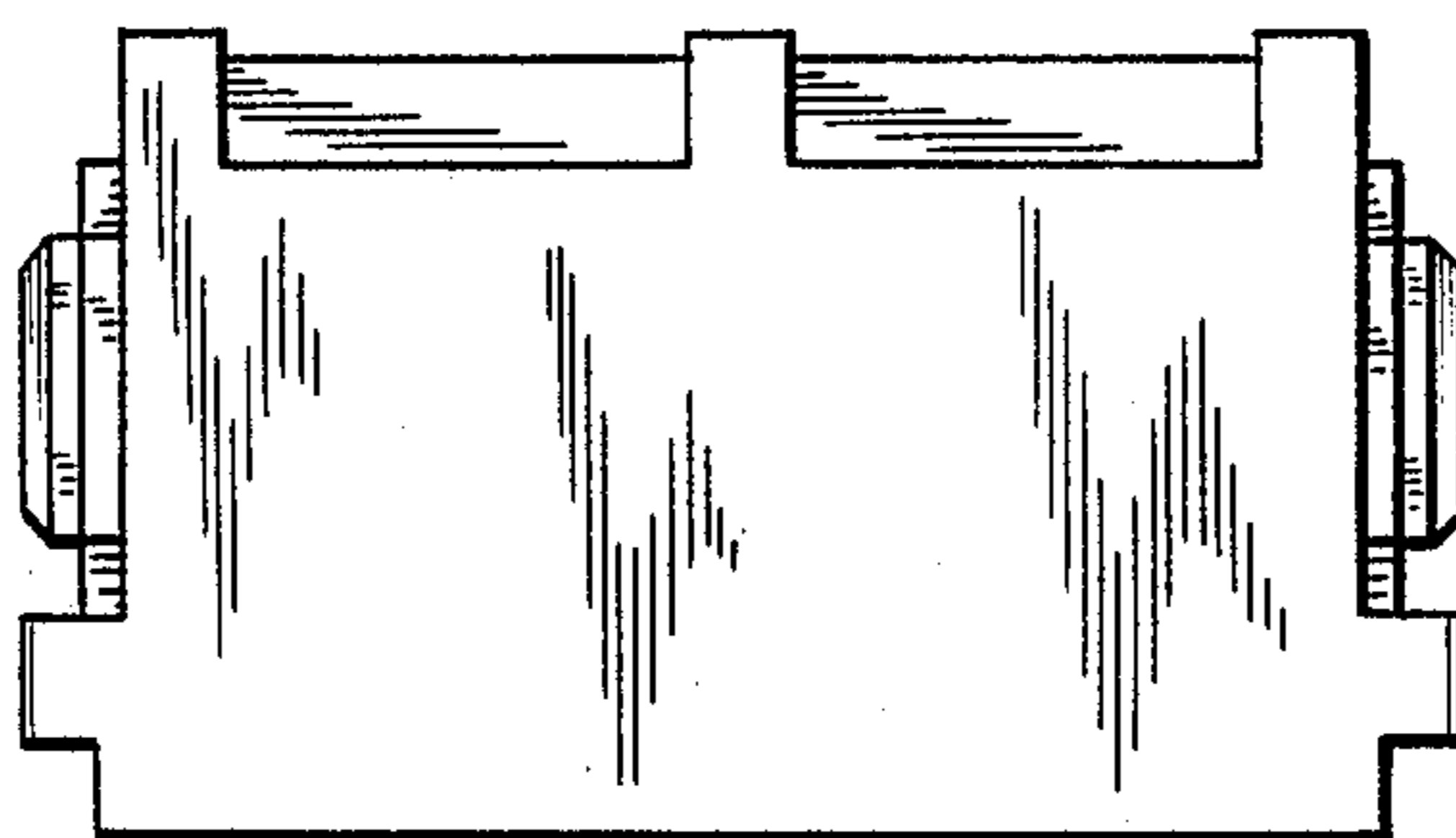


FIG. 2

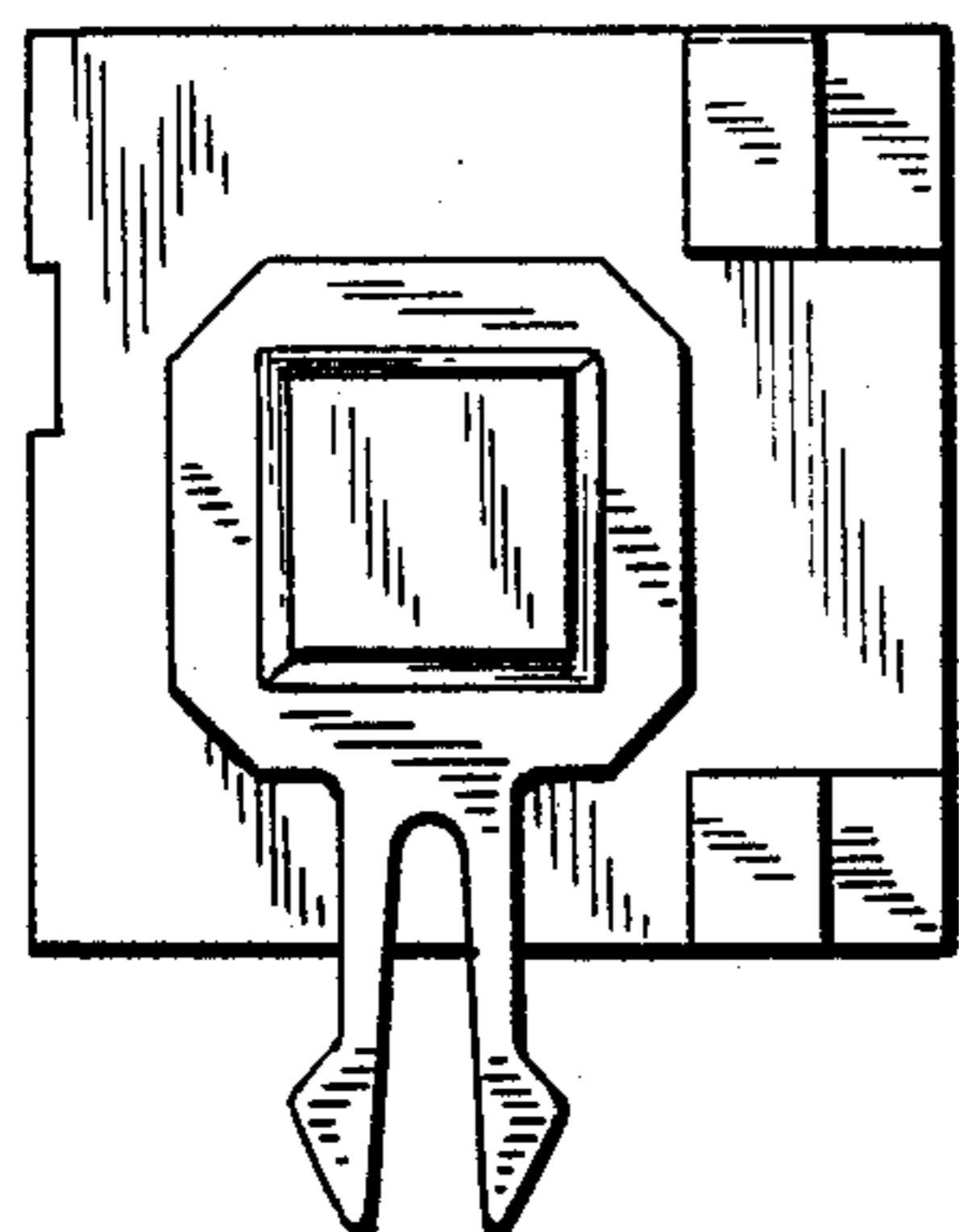


FIG. 4

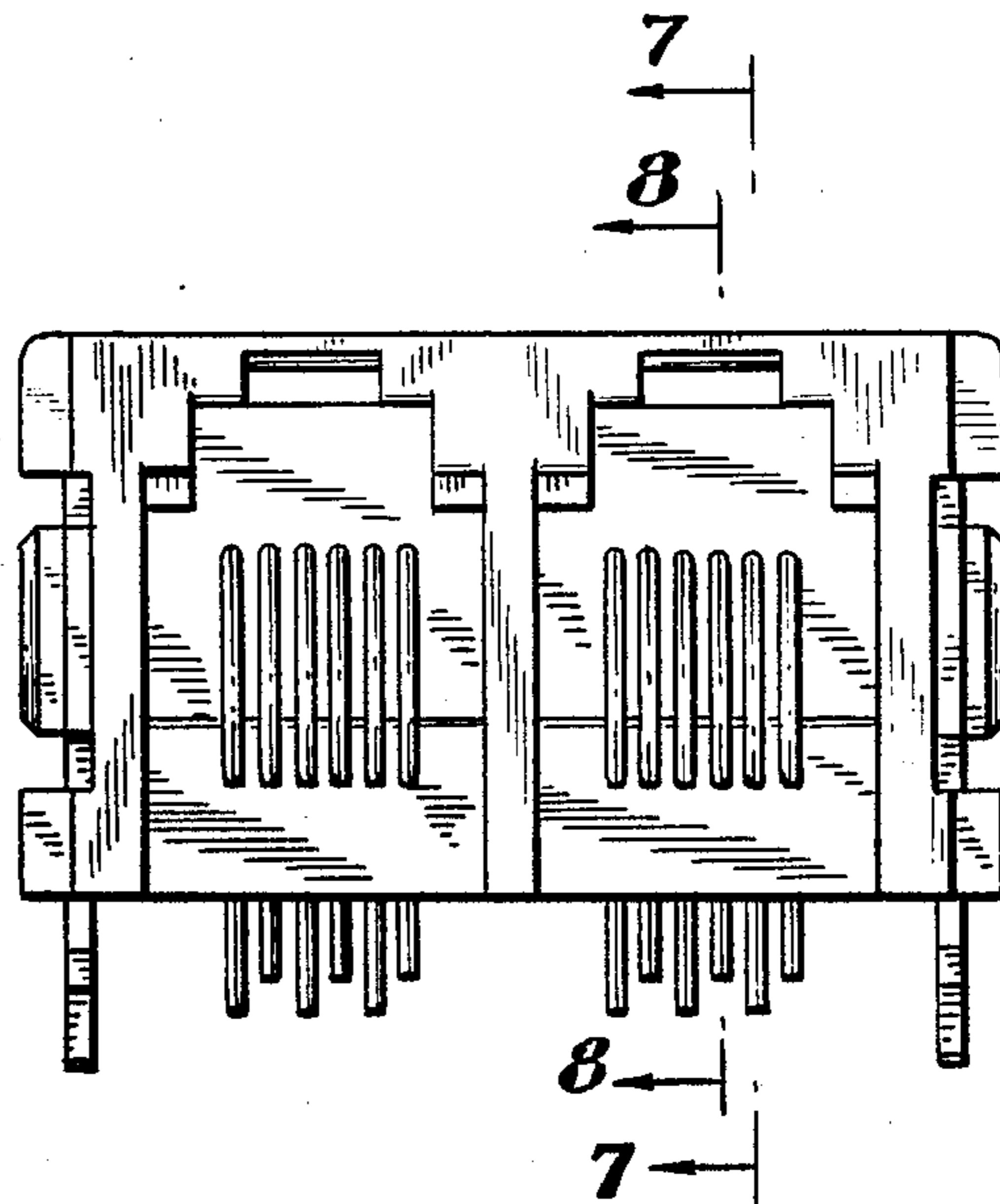


FIG. 3

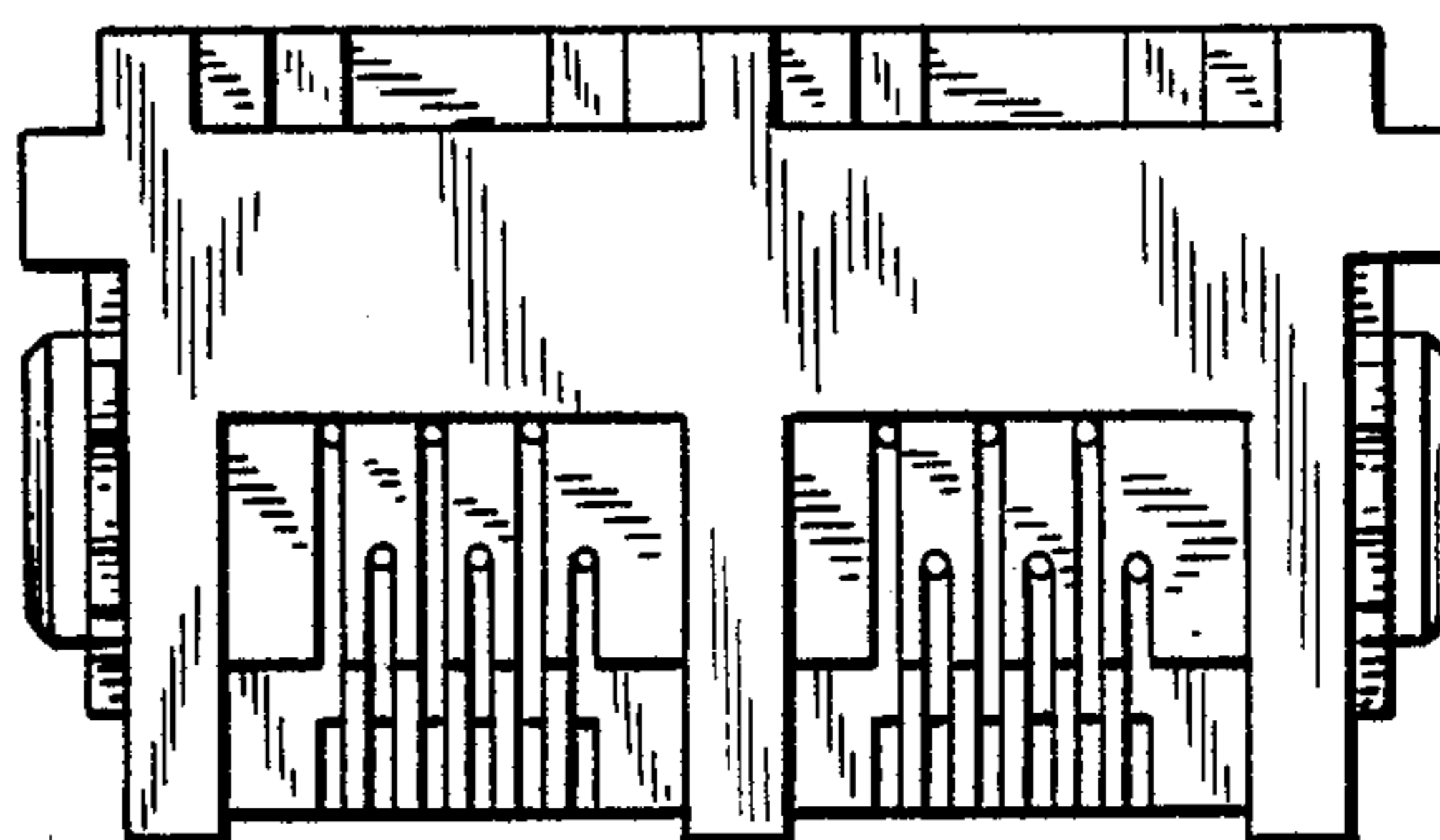


FIG. 5

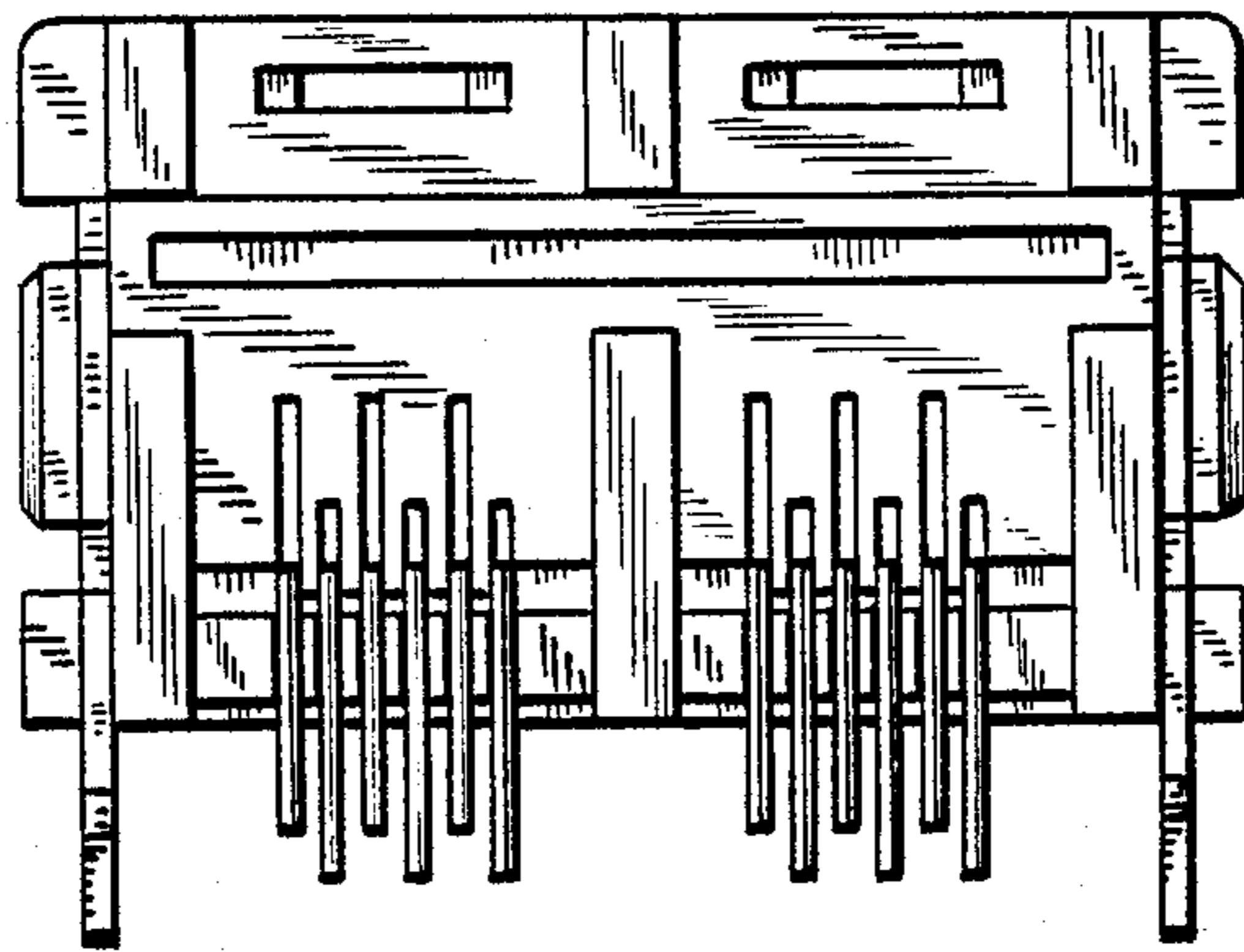


FIG. 6

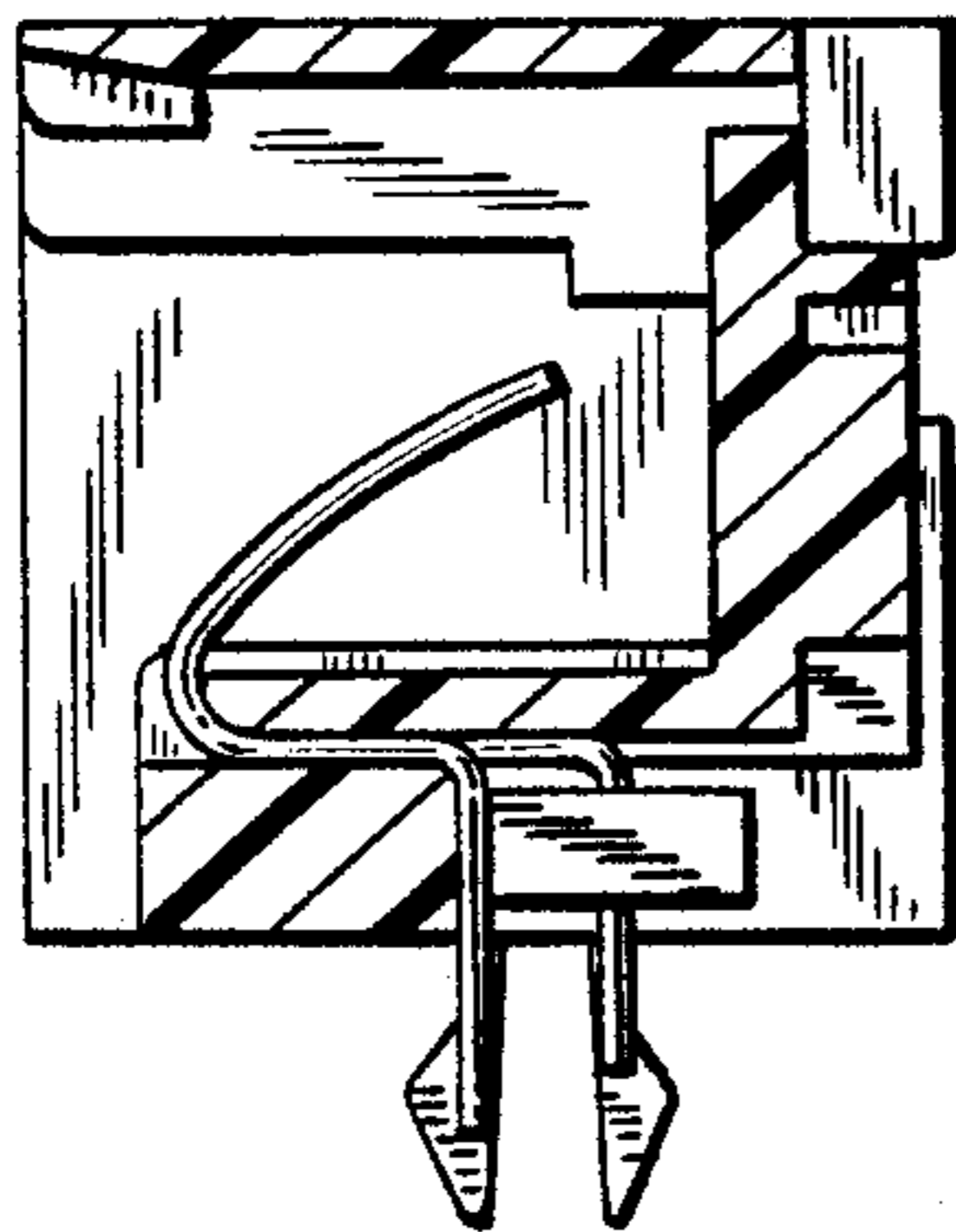


FIG. 7

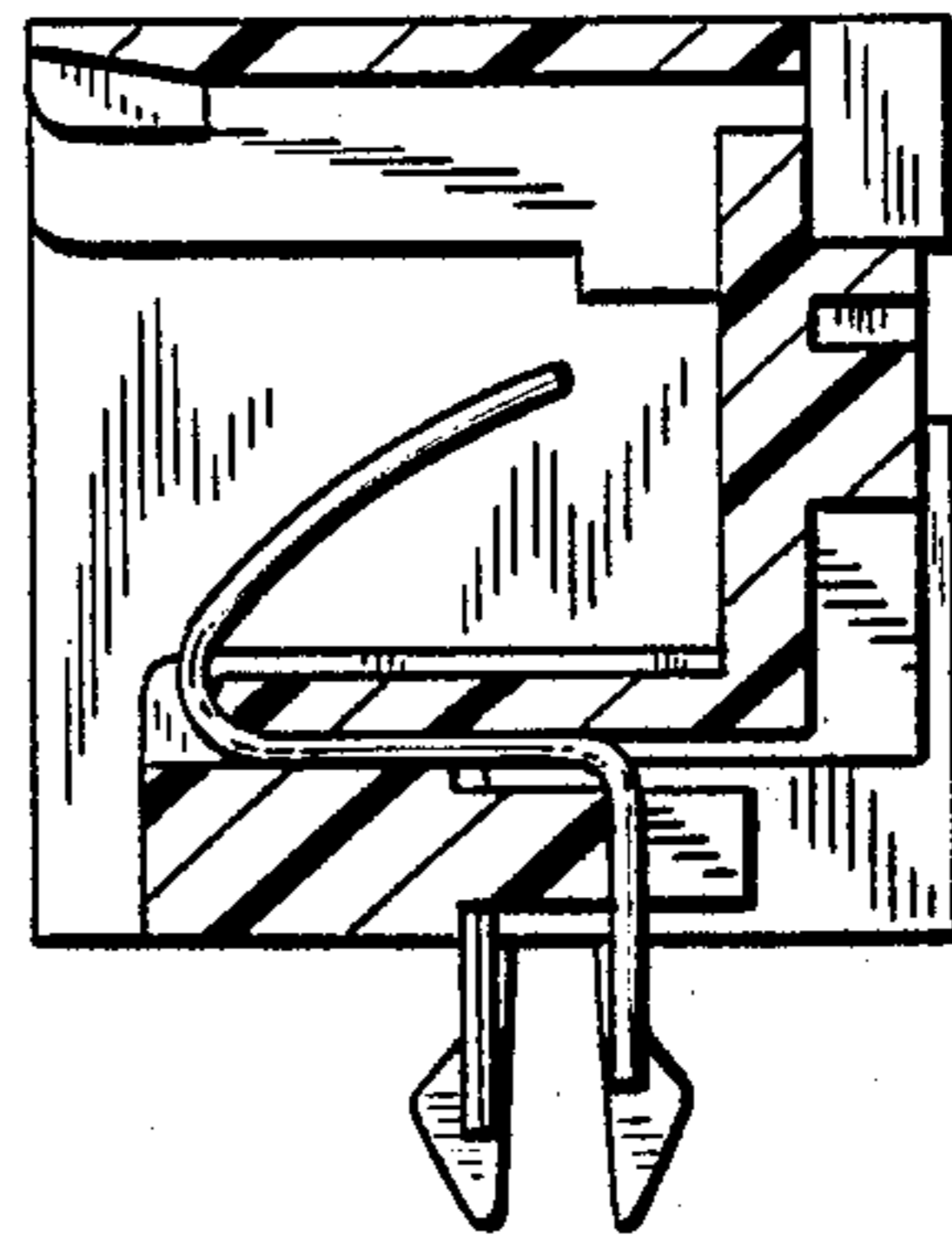


FIG. 8

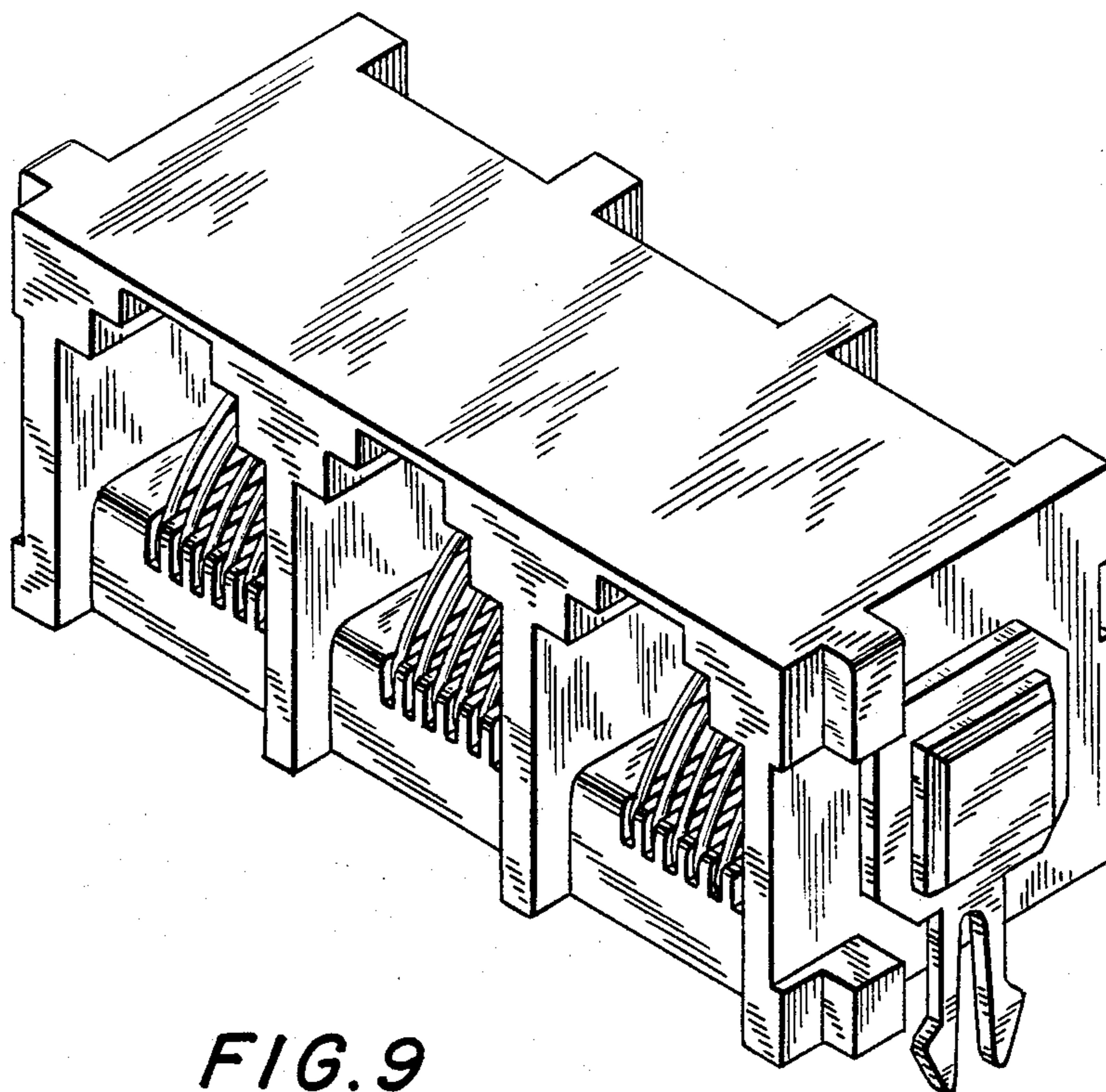


FIG. 9

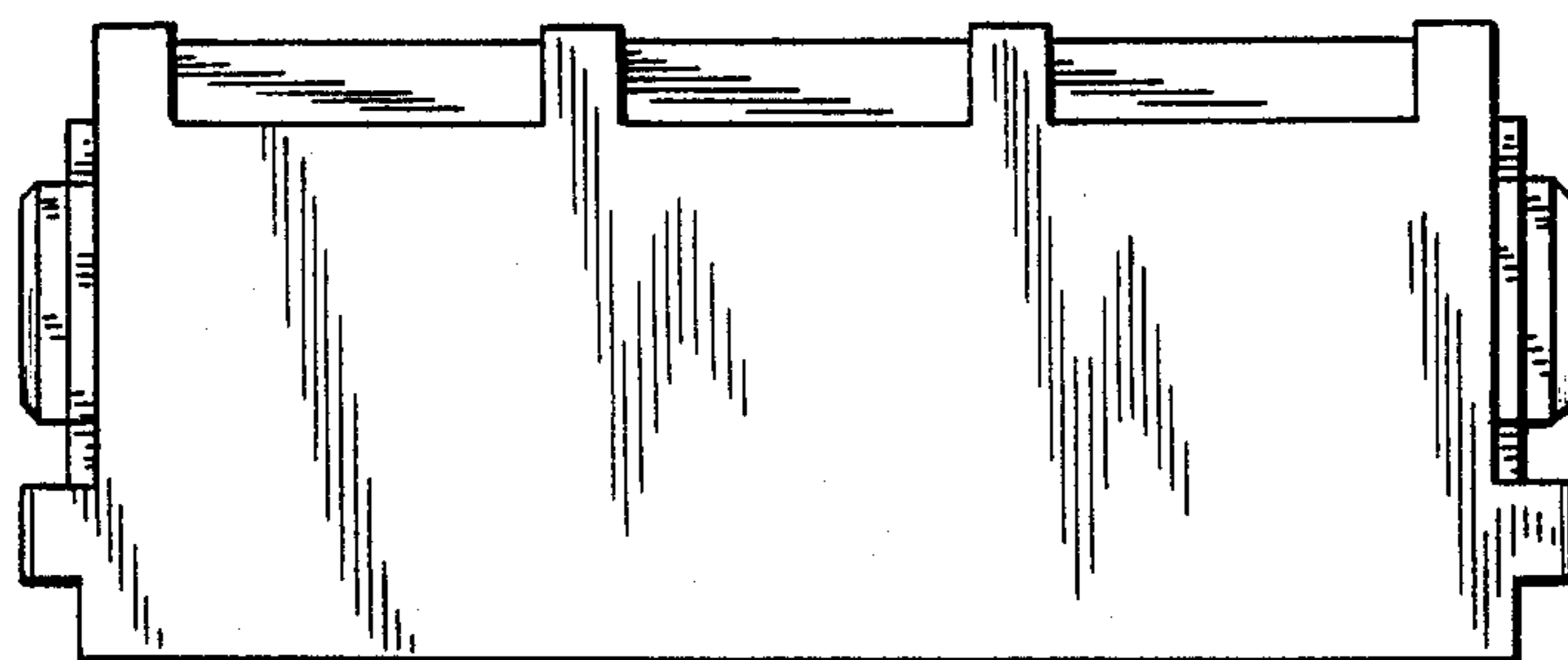


FIG. 10

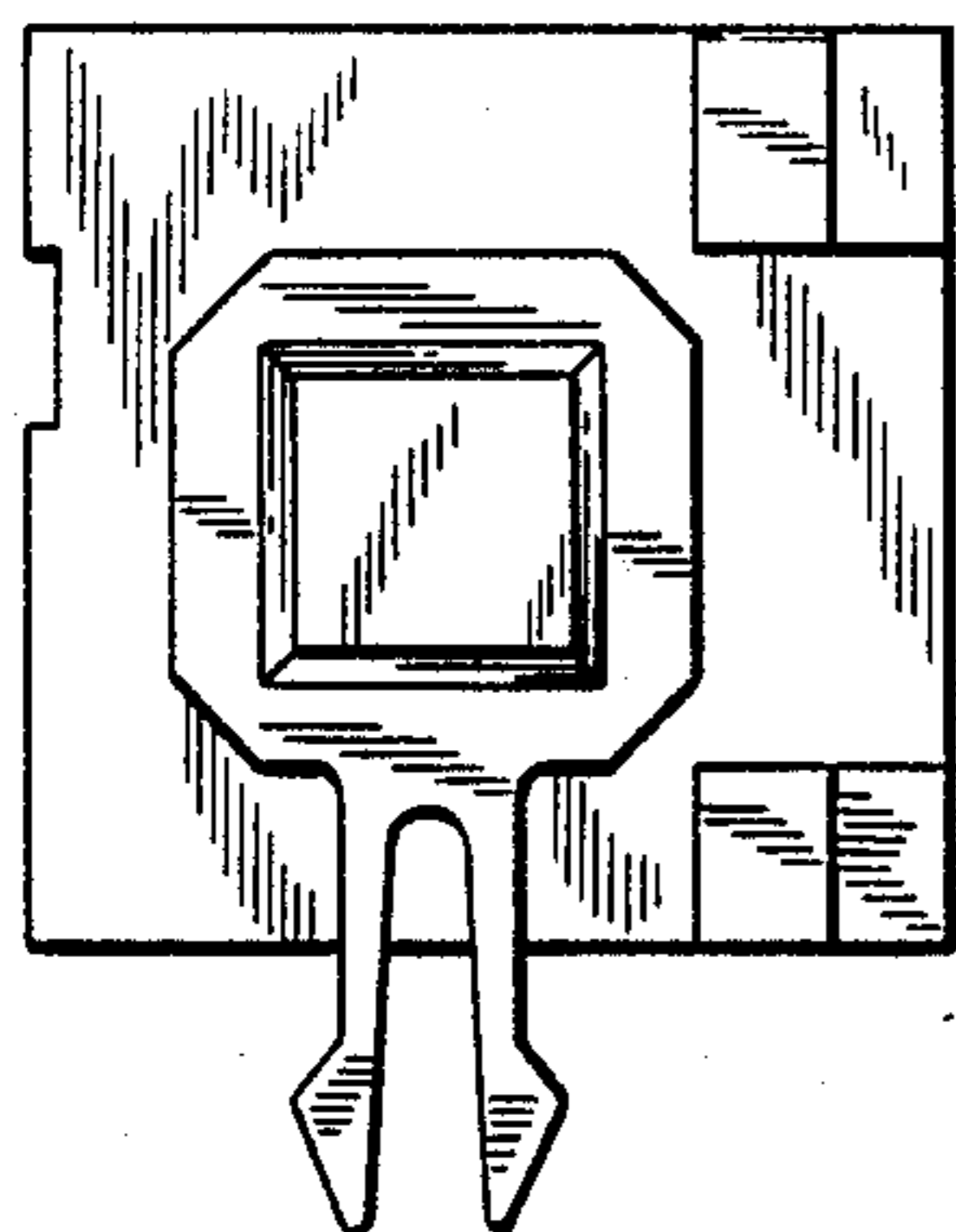


FIG. 12

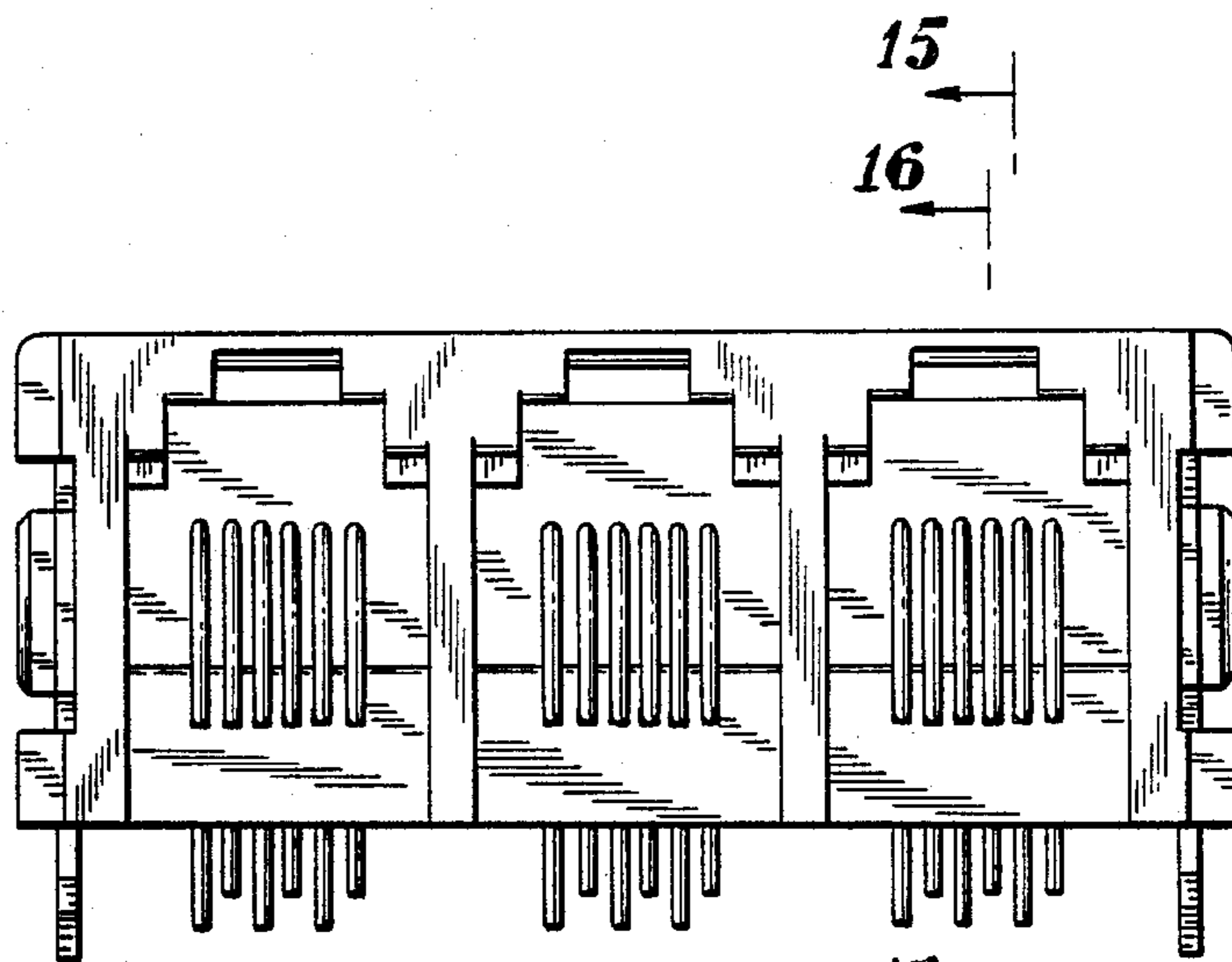


FIG. 11

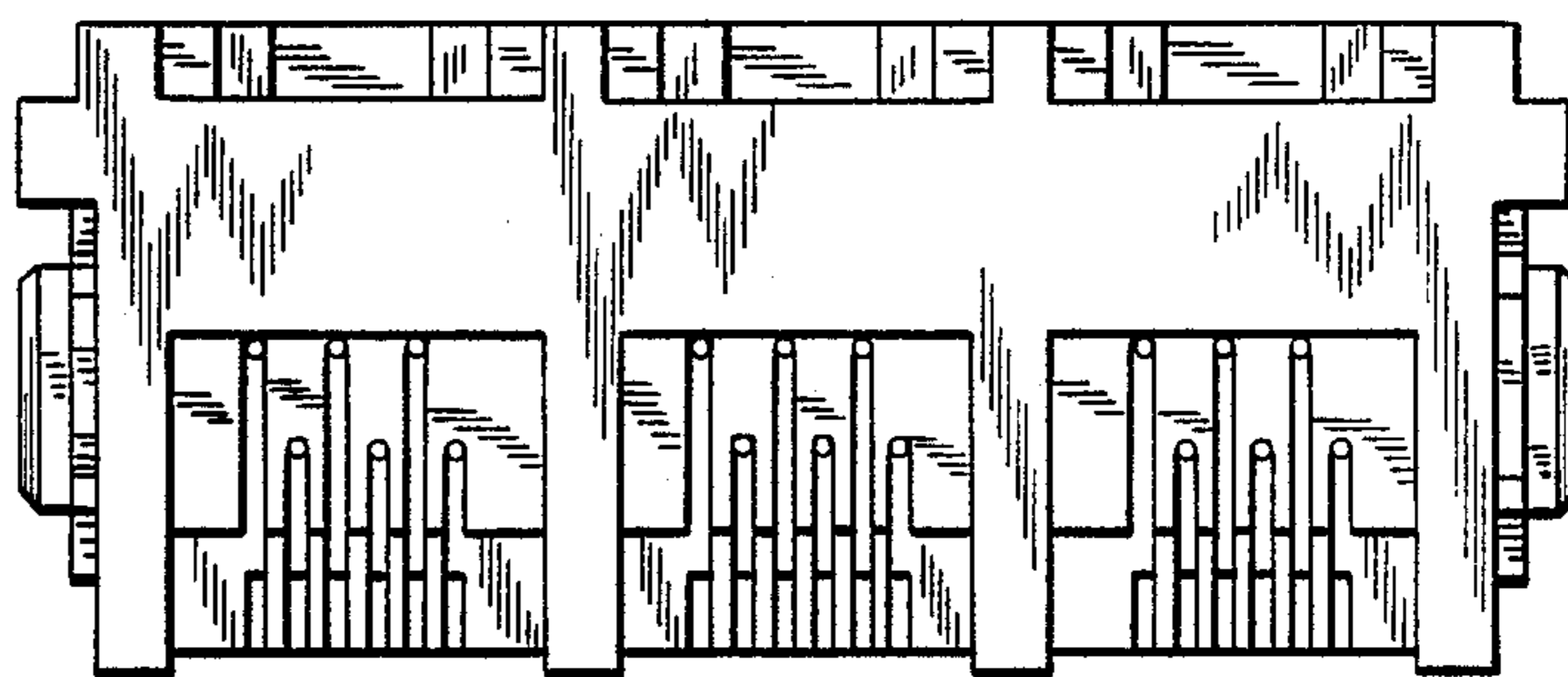


FIG. 13

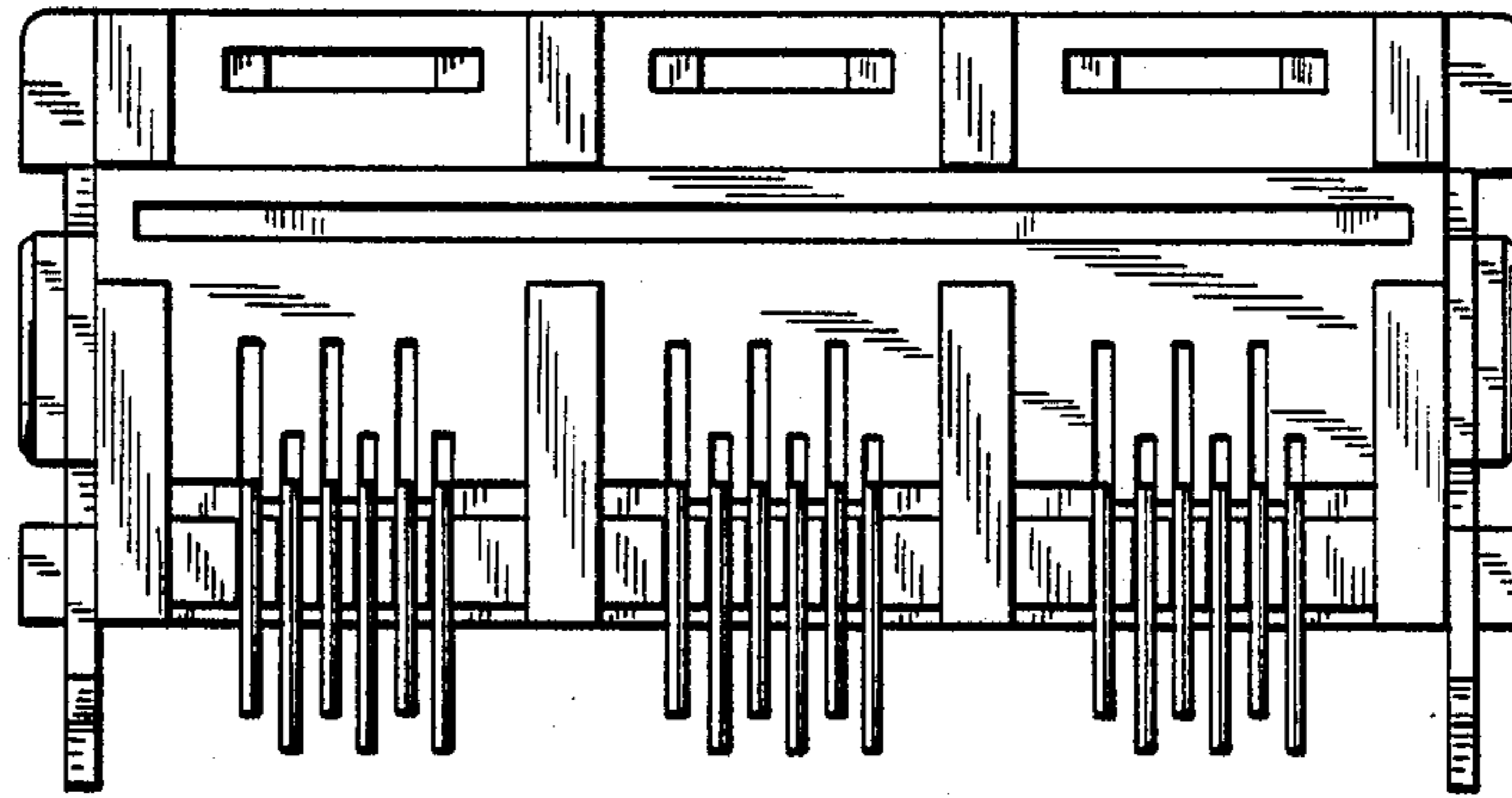


FIG. 14

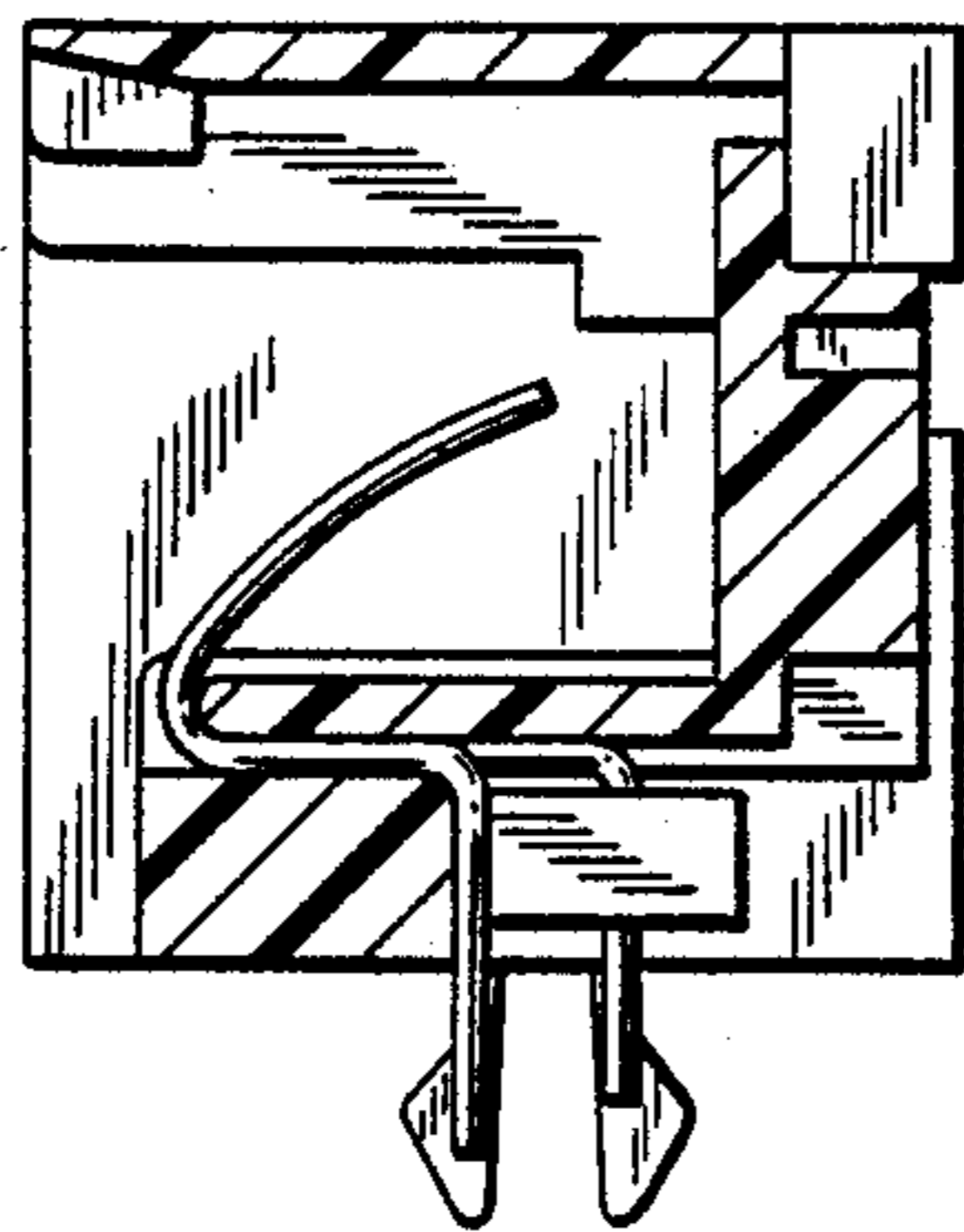


FIG. 15

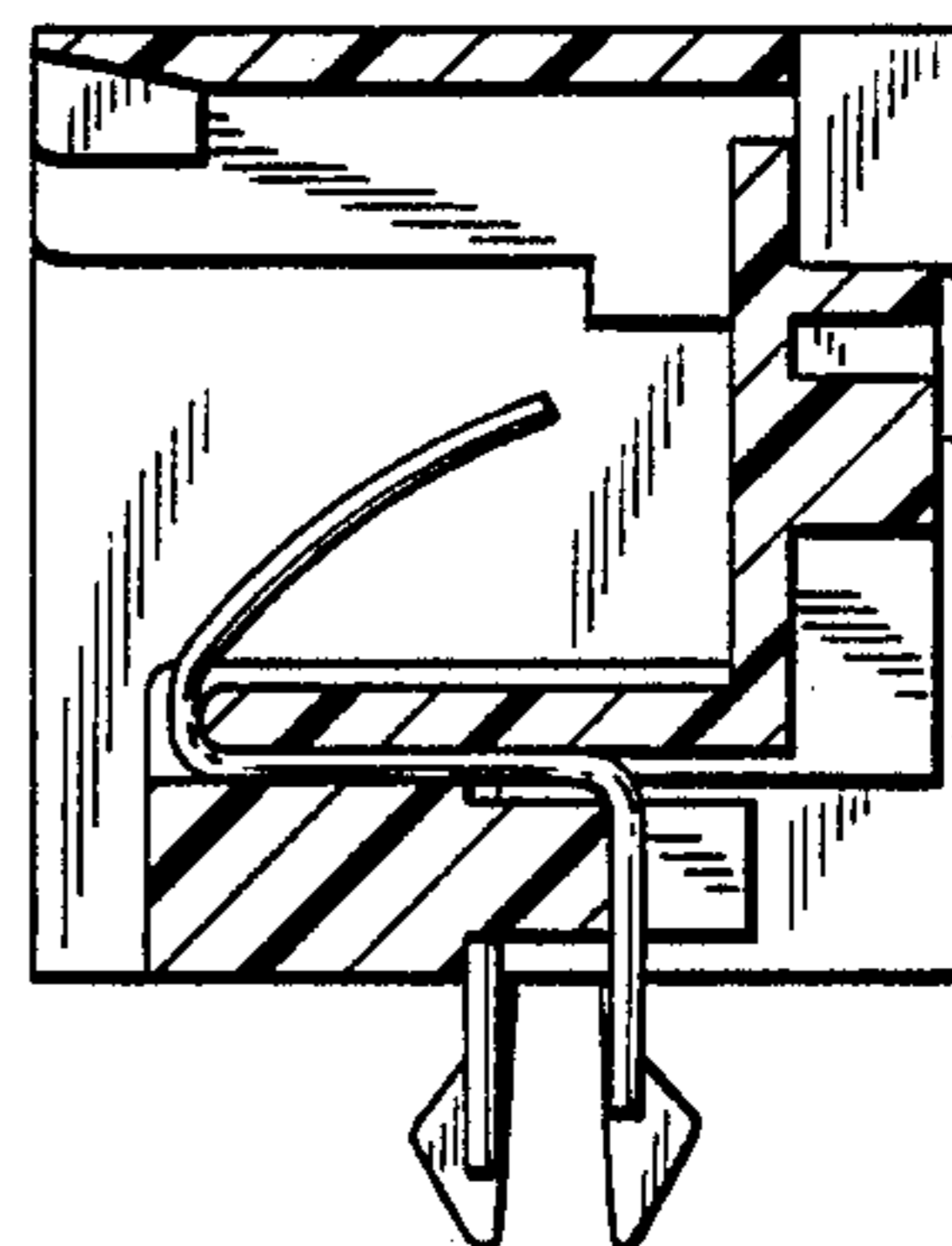


FIG. 16

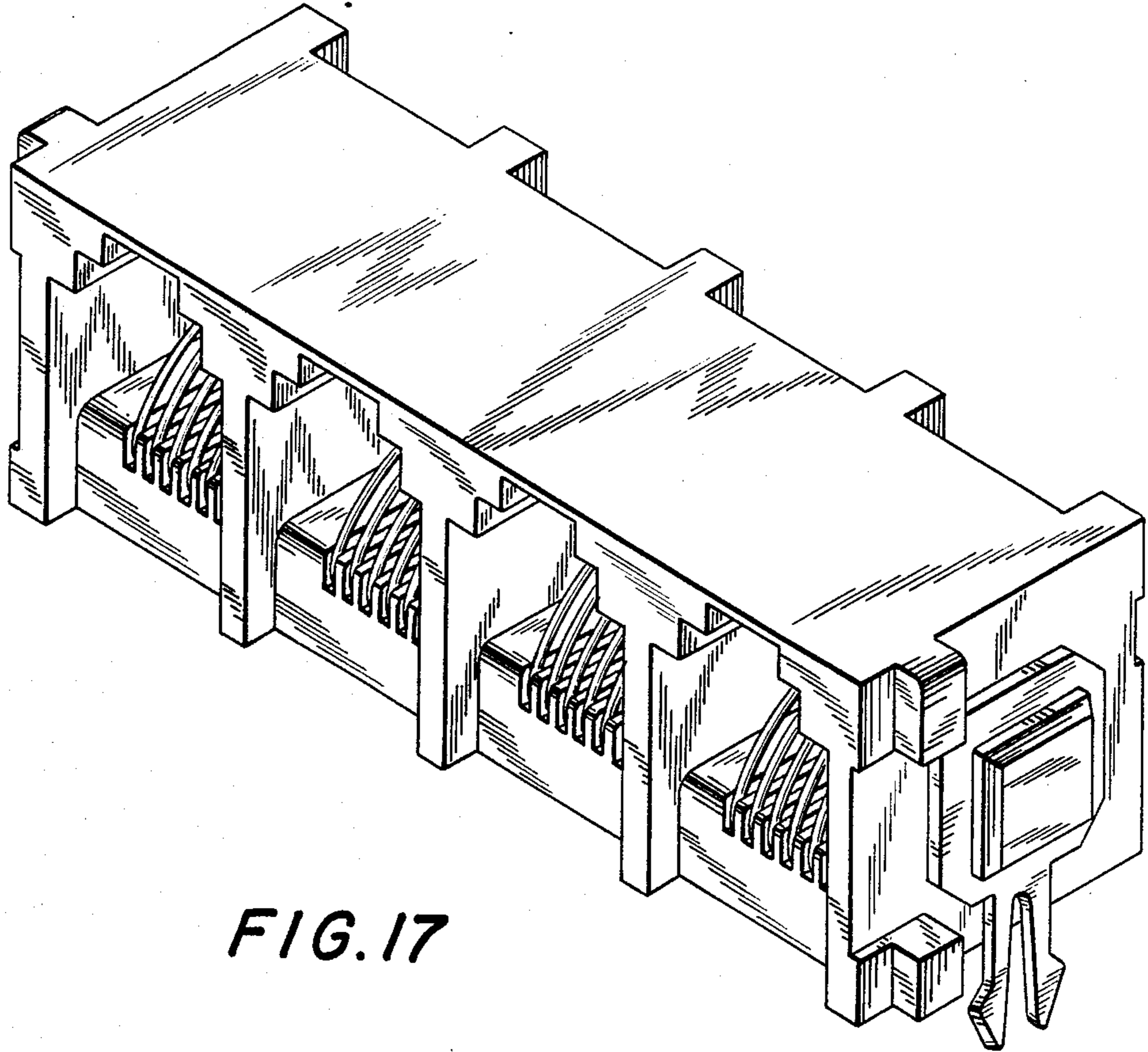


FIG. 17

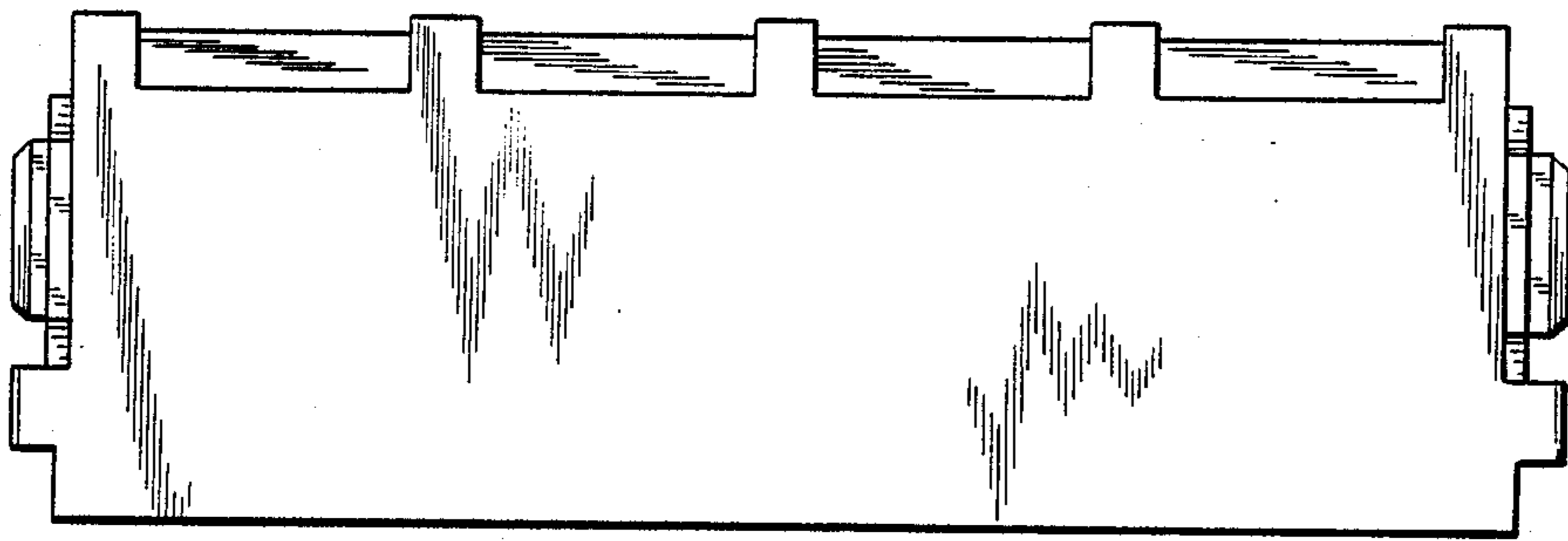


FIG. 18

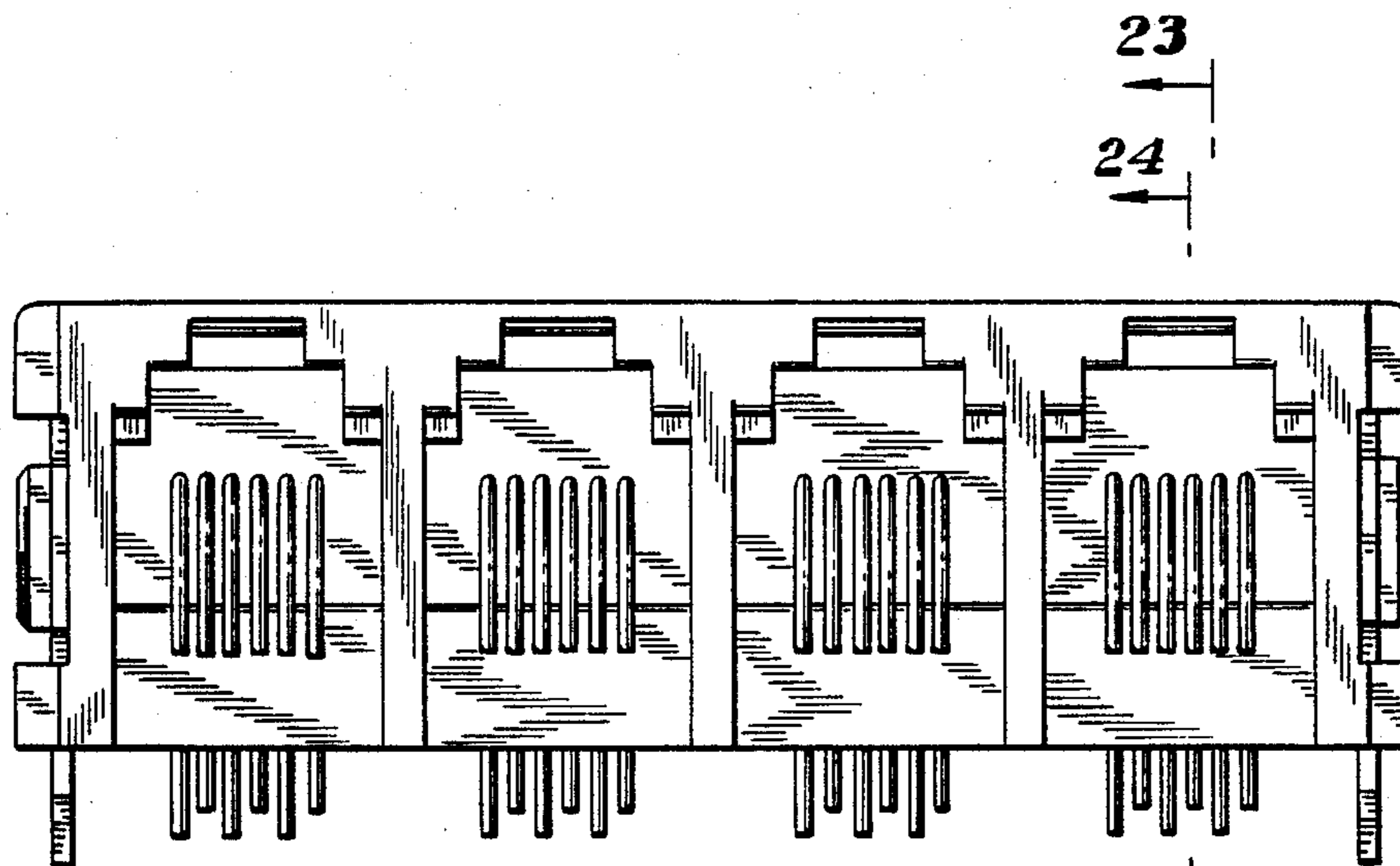


FIG. 19

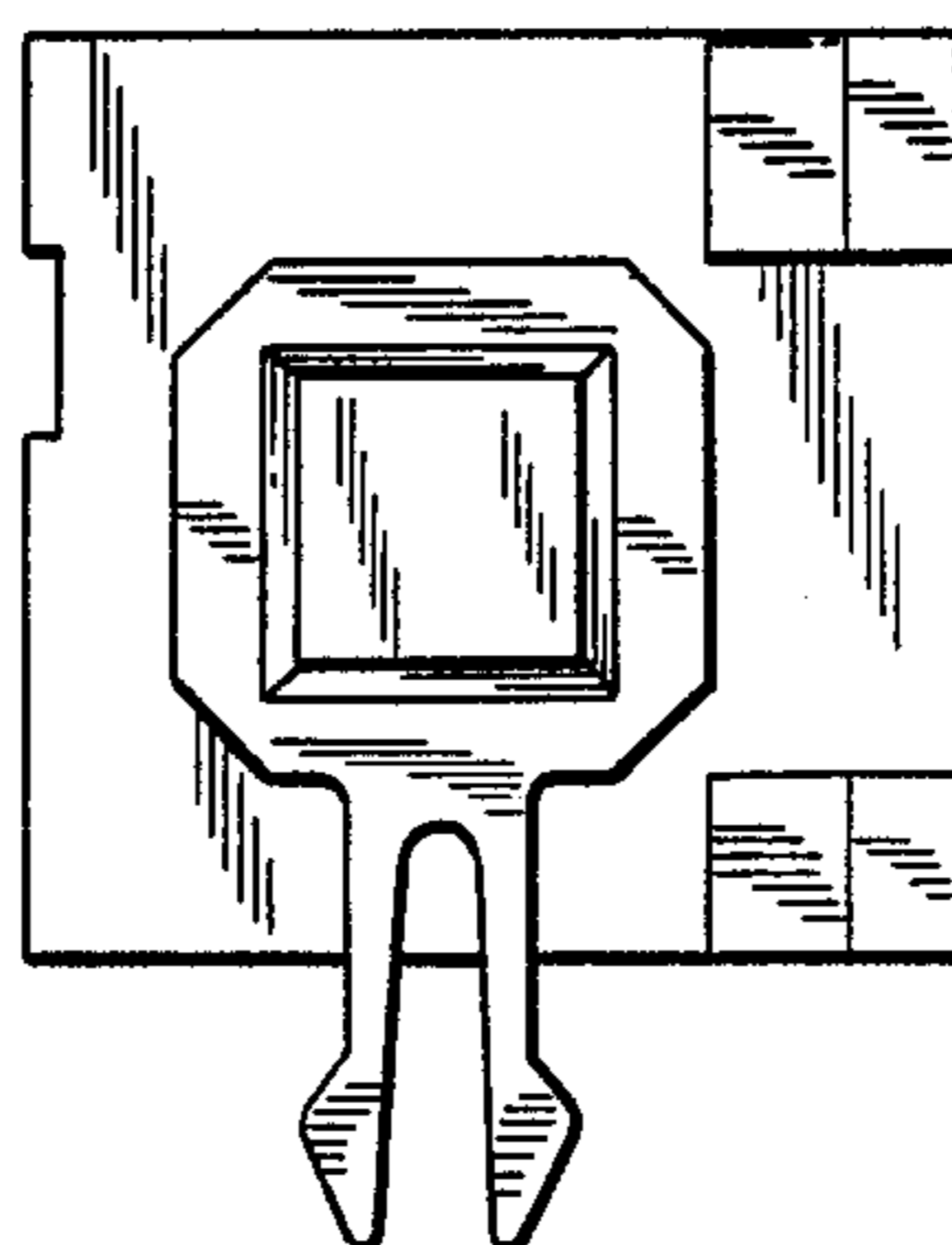


FIG. 20

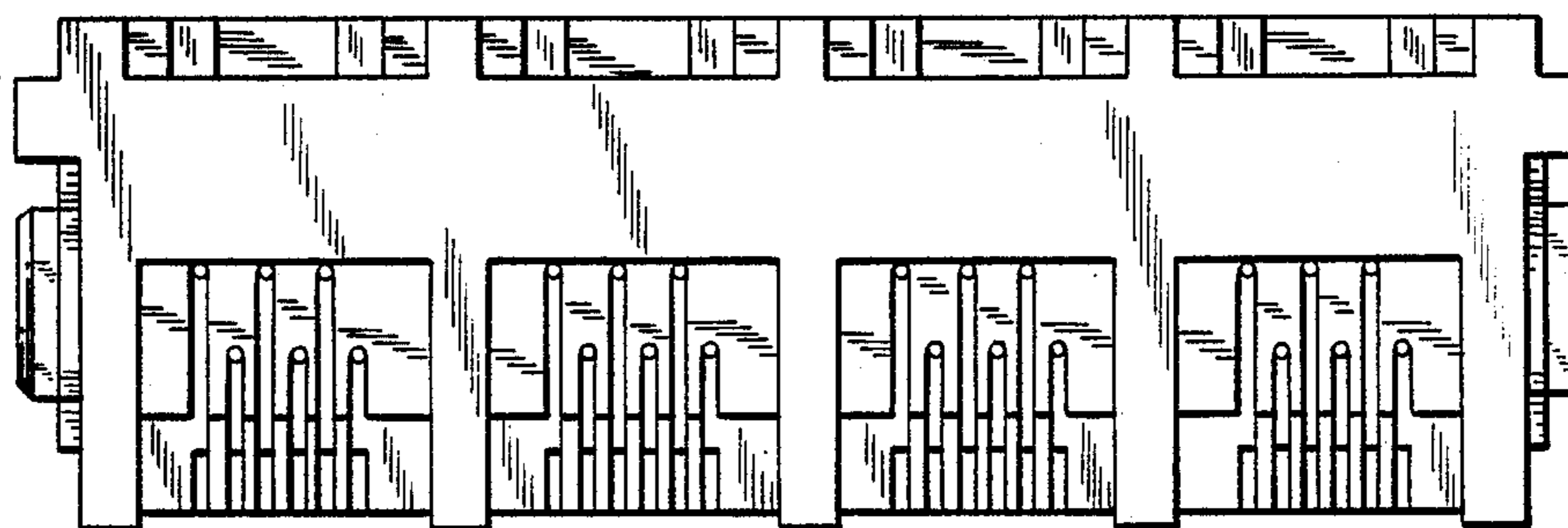


FIG. 21

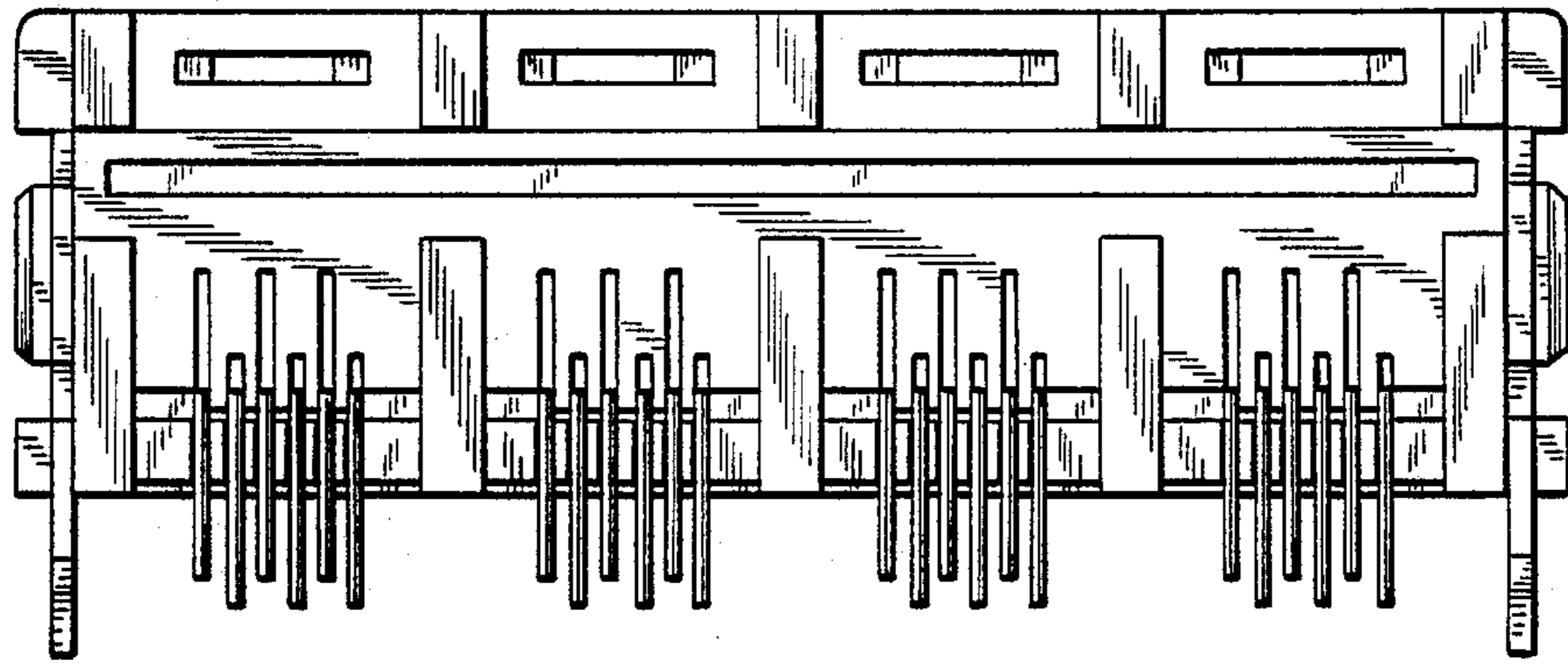


FIG. 22

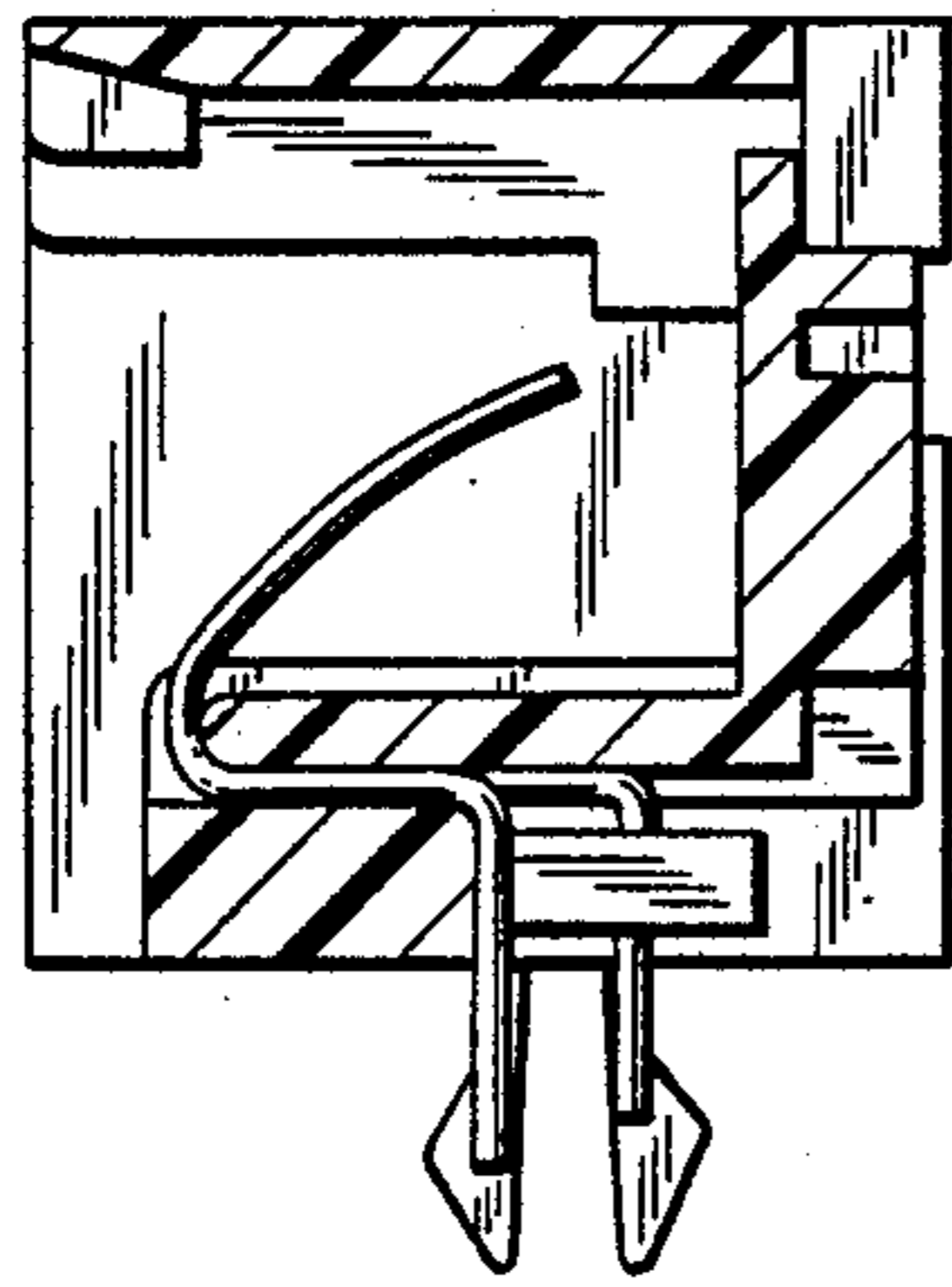


FIG. 23

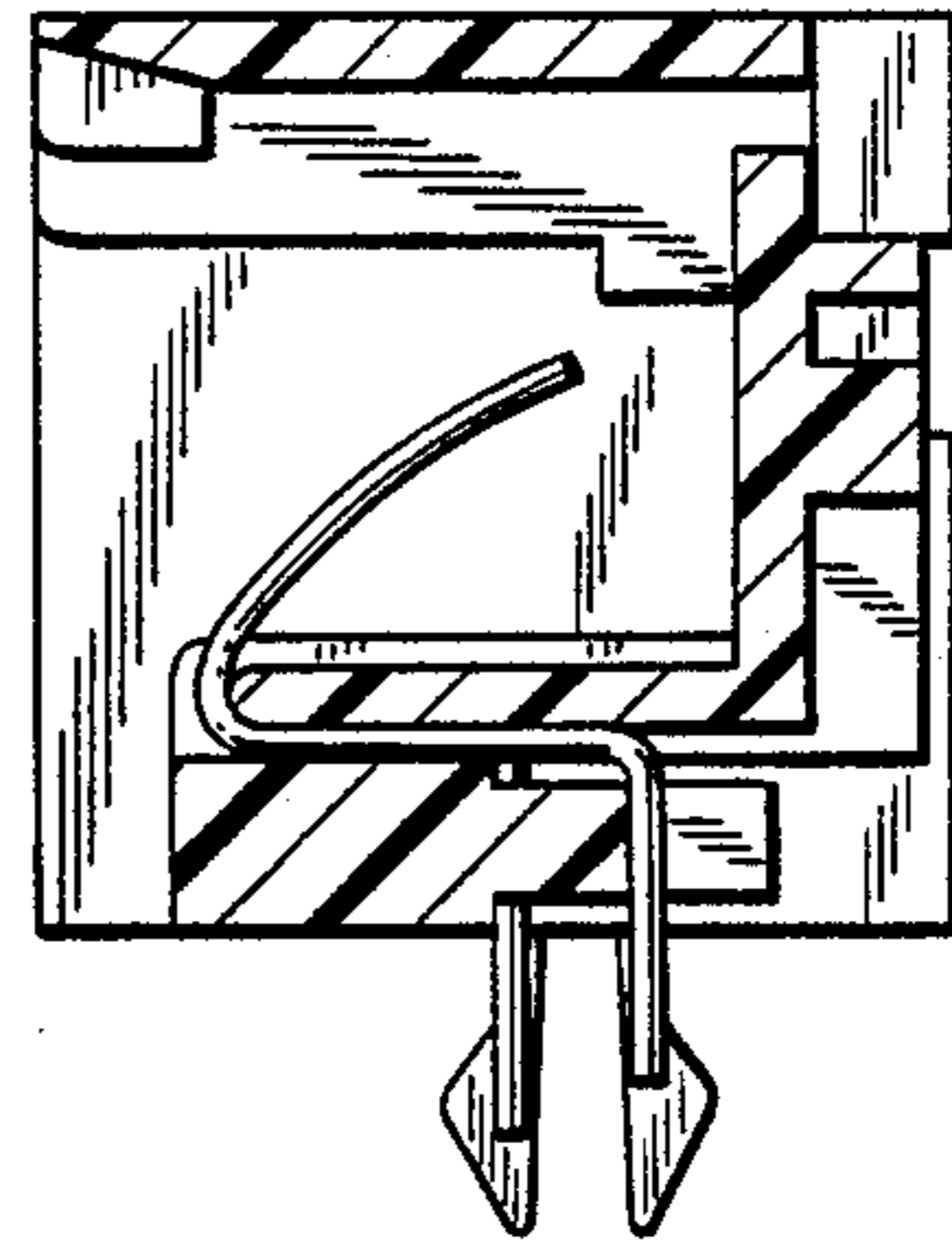


FIG. 24