

[54] INSULATING HOLDER FOR ELECTRIFIED WIRE FENCE

[75] Inventor: Jack H. Reeves, Hamilton, New Zealand

[73] Assignee: Precision Electronics Limited, Hamilton, New Zealand

[**] Term: 14 Years

[21] Appl. No.: 784,409

[22] Filed: Oct. 4, 1985

[52] U.S. Cl. D13/17; 174/163 F

[58] Field of Search D13/17, 18; 174/160, 174/161 F, 163 R, 163 F, 158 R, 158 F, 148; 256/10

[56] References Cited

U.S. PATENT DOCUMENTS

3,090,826	5/1963	Cochran	174/158 R
3,820,758	6/1974	Berg, Jr. et al.	174/163 F X
4,077,611	3/1978	Wilson	174/163 F X

Primary Examiner—Susan J. Lucas
Attorney, Agent, or Firm—Townsend and Townsend

[57] CLAIM

The ornamental design for an insulating holder for electrified wire fence, as shown.

DESCRIPTION

FIG. 1 is a top plan view of an insulator showing my new design;

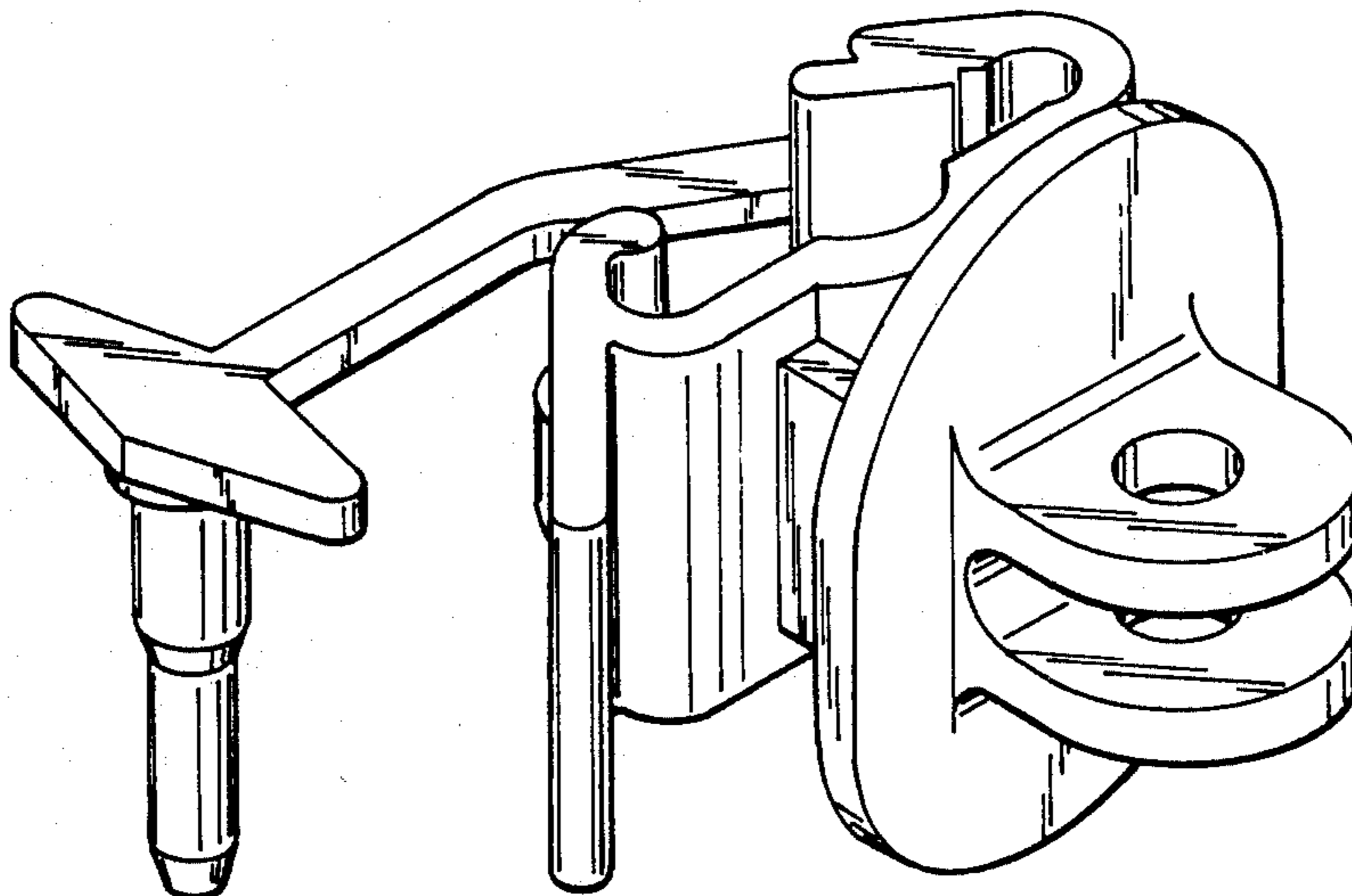
FIG. 2 is a bottom plan view thereof;

FIG. 3 is a left side elevational view thereof;

FIG. 4 is a right side elevational view thereof;

FIG. 5 is a rear elevational view thereof; and

FIG. 7 is a top, front, left side perspective view thereof.



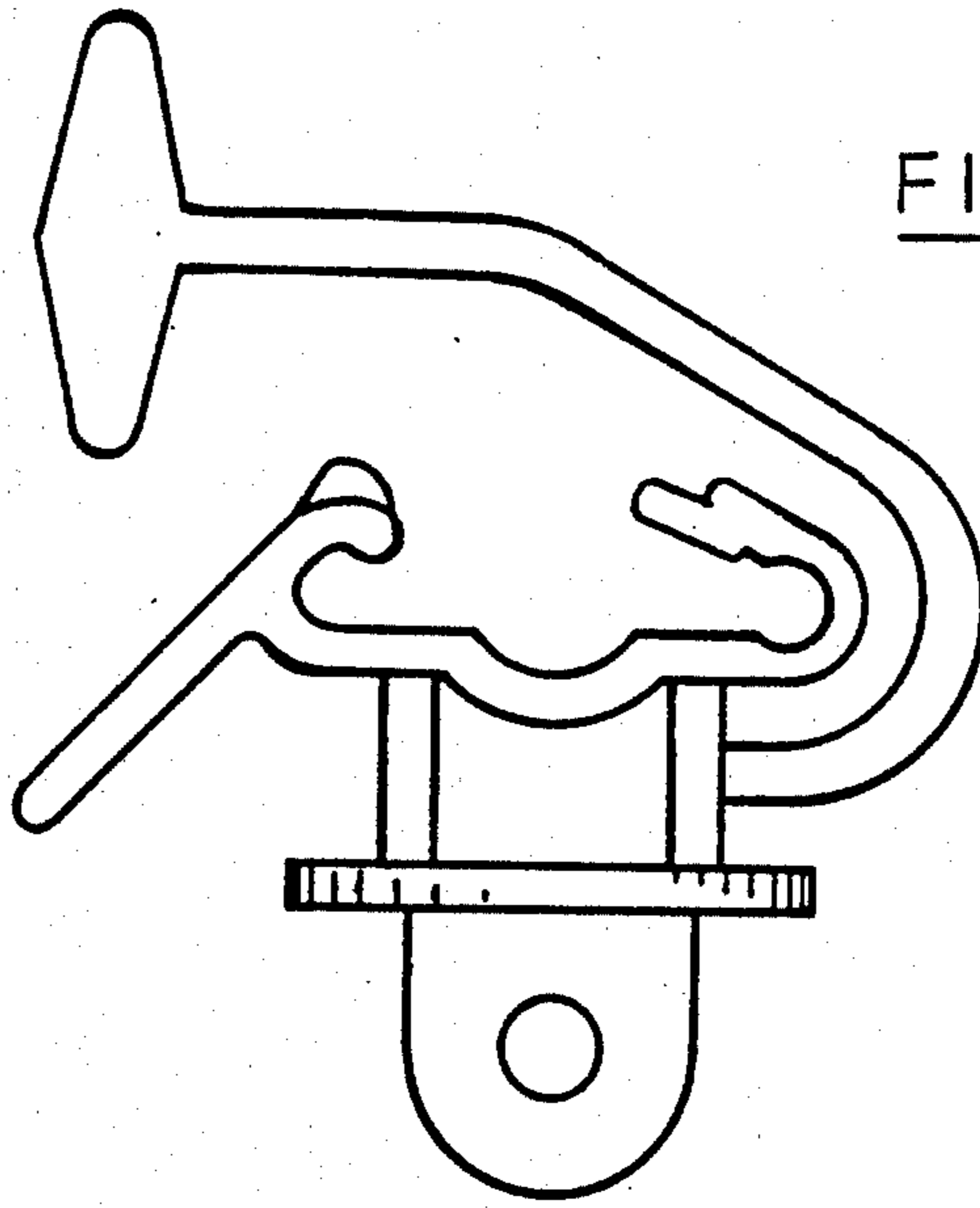


FIG. 1

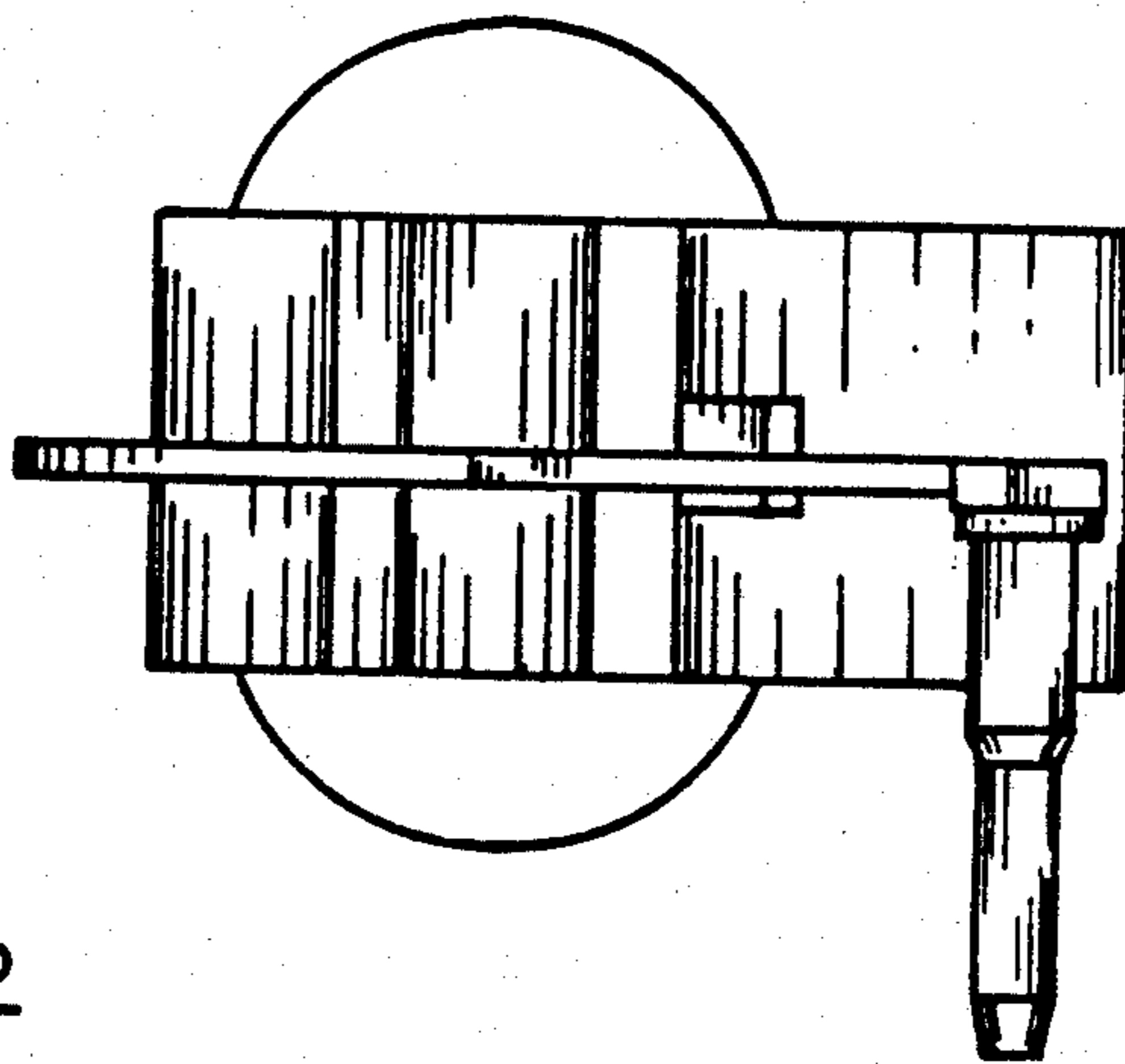


FIG. 6

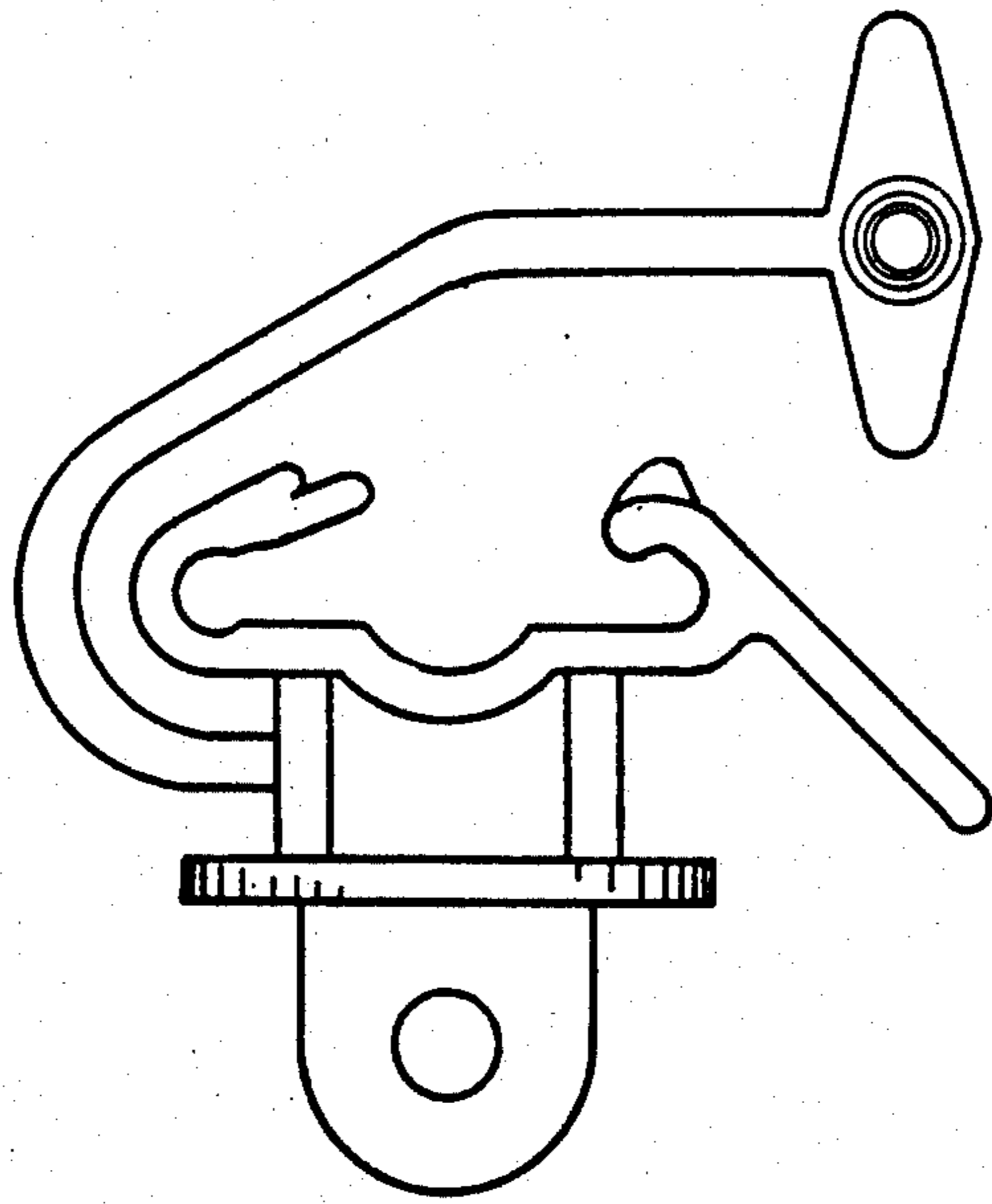


FIG. 2

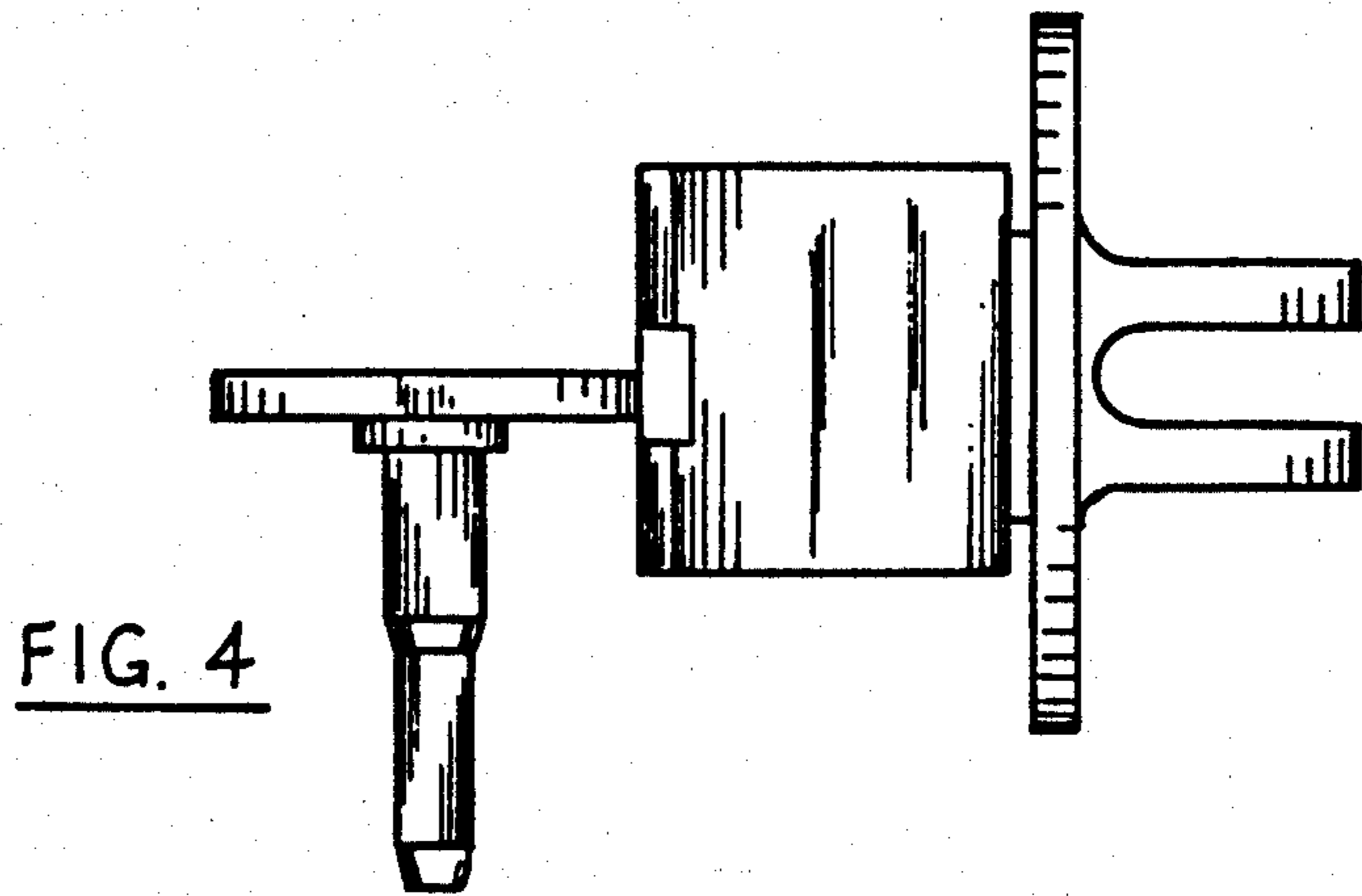


FIG. 4

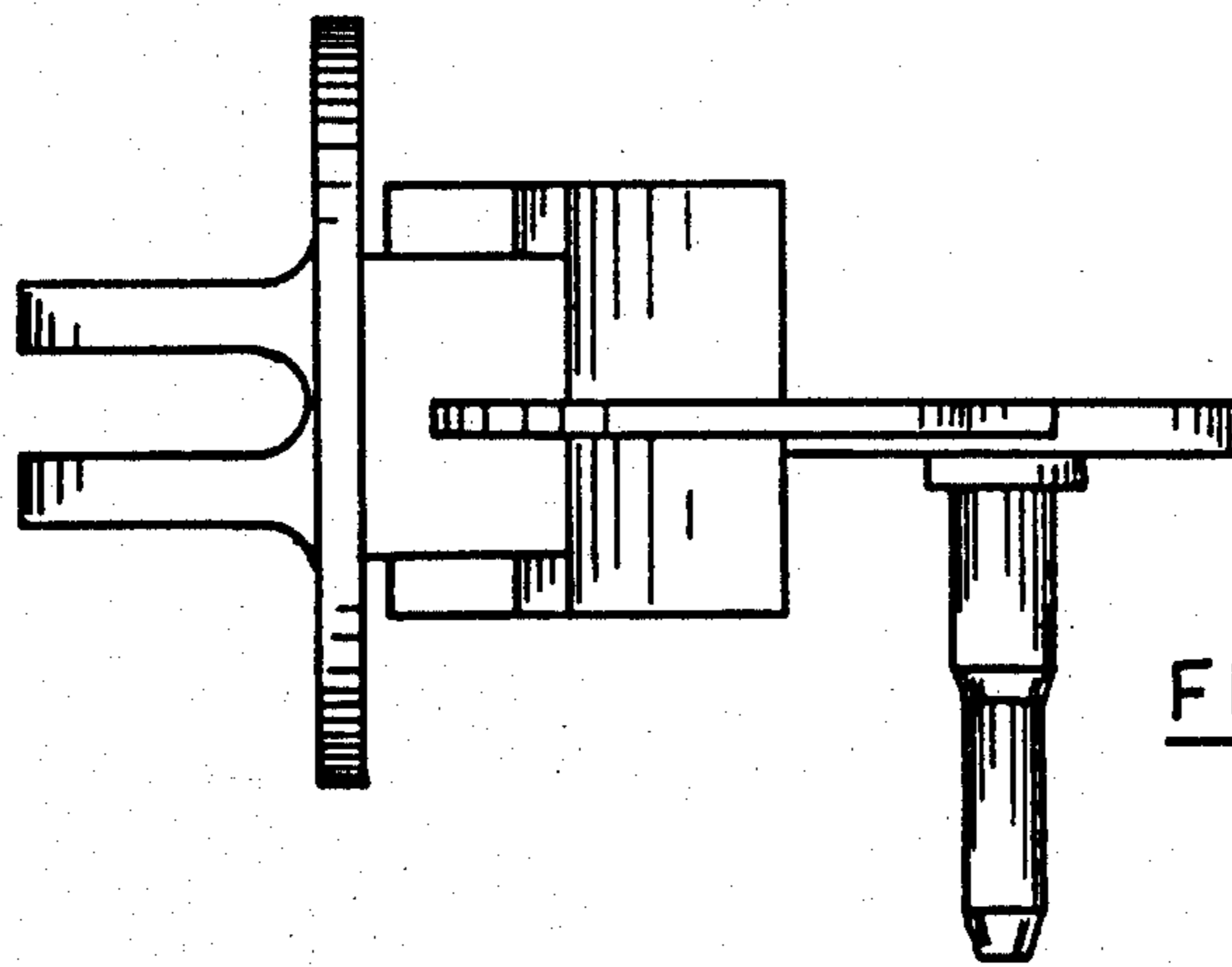


FIG. 3

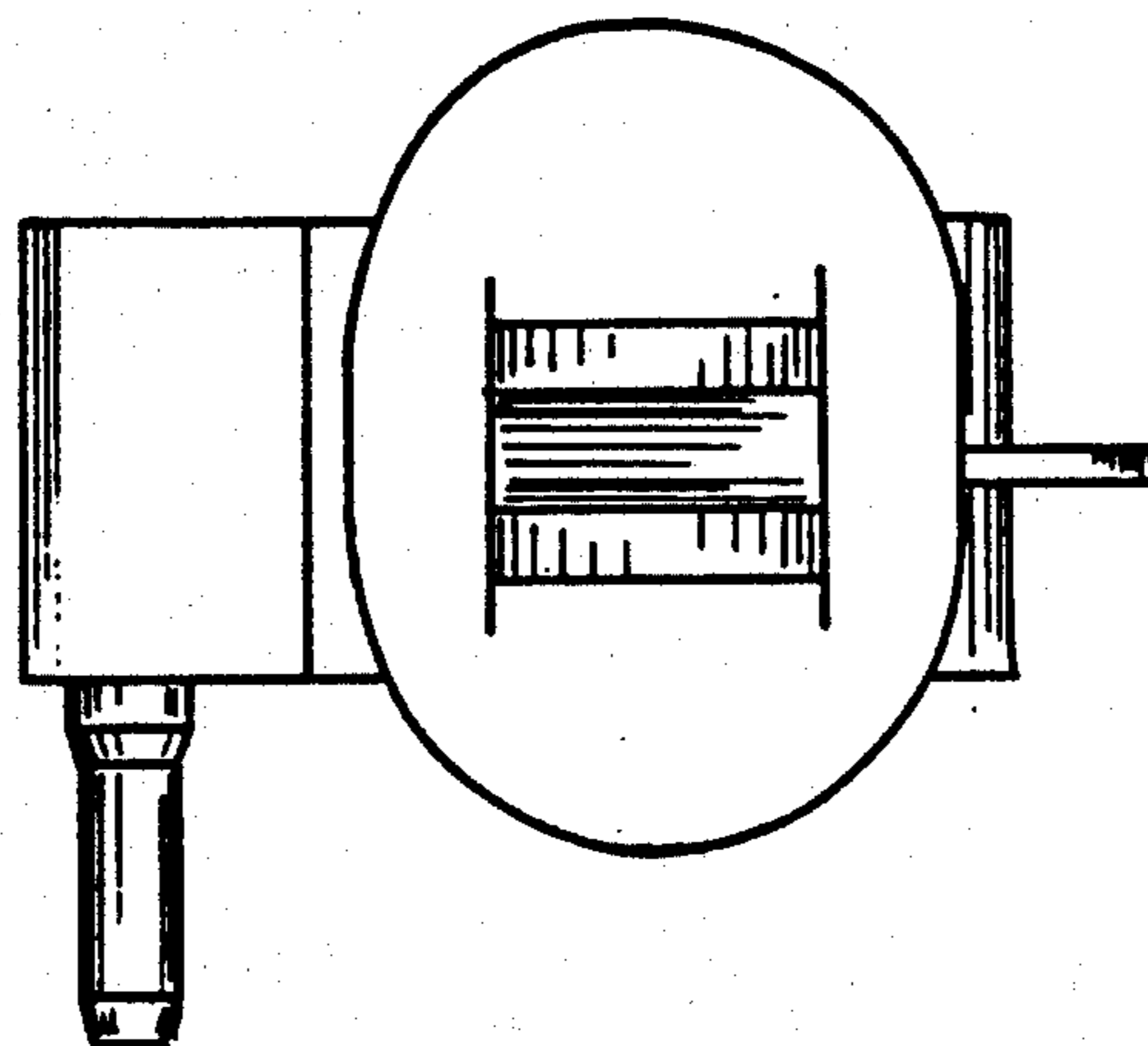


FIG. 5

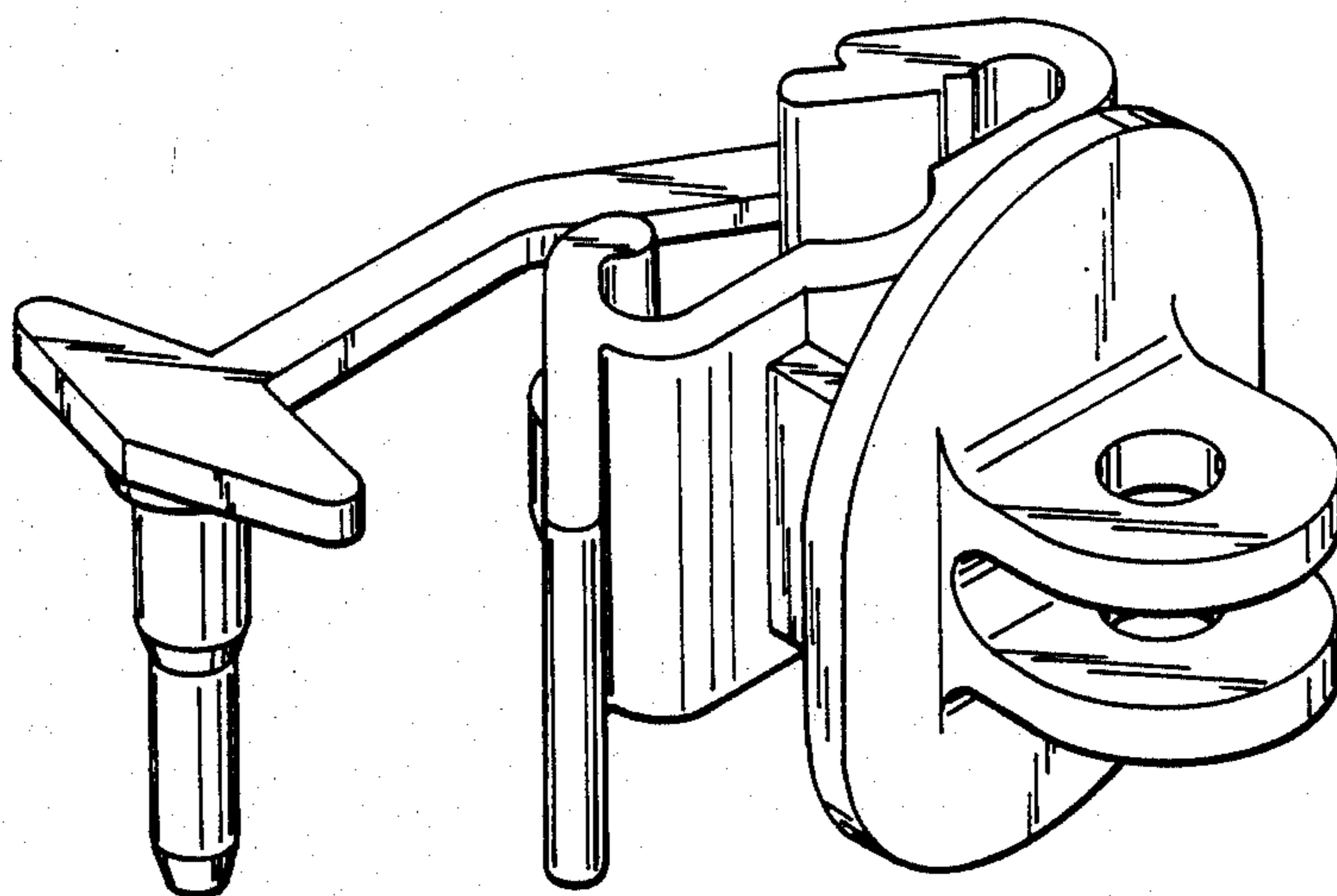


FIG. 7.