

[54] COMBINED UPPER HANDLE BAR CLAMP AND CIGAR LIGHTER HOLDER FOR MOTORCYCLE

[76] Inventor: Brian L. Knecht, 11622 E. Imperial, Norwalk, Calif. 90650

[**] Term: 14 Years

[21] Appl. No.: 872,430

[22] Filed: Jun. 9, 1986

[52] U.S. Cl. D12/114; D12/117

[58] Field of Search D12/117, 118, 114; D27/142, 172; 280/279, 280, 289 R

[56] References Cited

PUBLICATIONS

J. C. Whitney catalog, No. 454D, ©1985, p. 186, cigarette lighter for motorcycles, third box up from bottom left side of page.

Drac Specialties 1984 catalog, p. 10, upper handlebar clamp for Yamaha & Kawasaki, lower center of page.

Primary Examiner—James M. Gandy
Attorney, Agent, or Firm—Charles H. Thomas

[57] CLAIM

The ornamental design for a combined upper handlebar clamp and cigar lighter holder for motorcycle, as shown.

DESCRIPTION

FIG. 1 is a perspective view of my combined upper handlebar clamp and cigar lighter holder for motorcycle showing my new design.

FIG. 2 is a top plan view thereof.

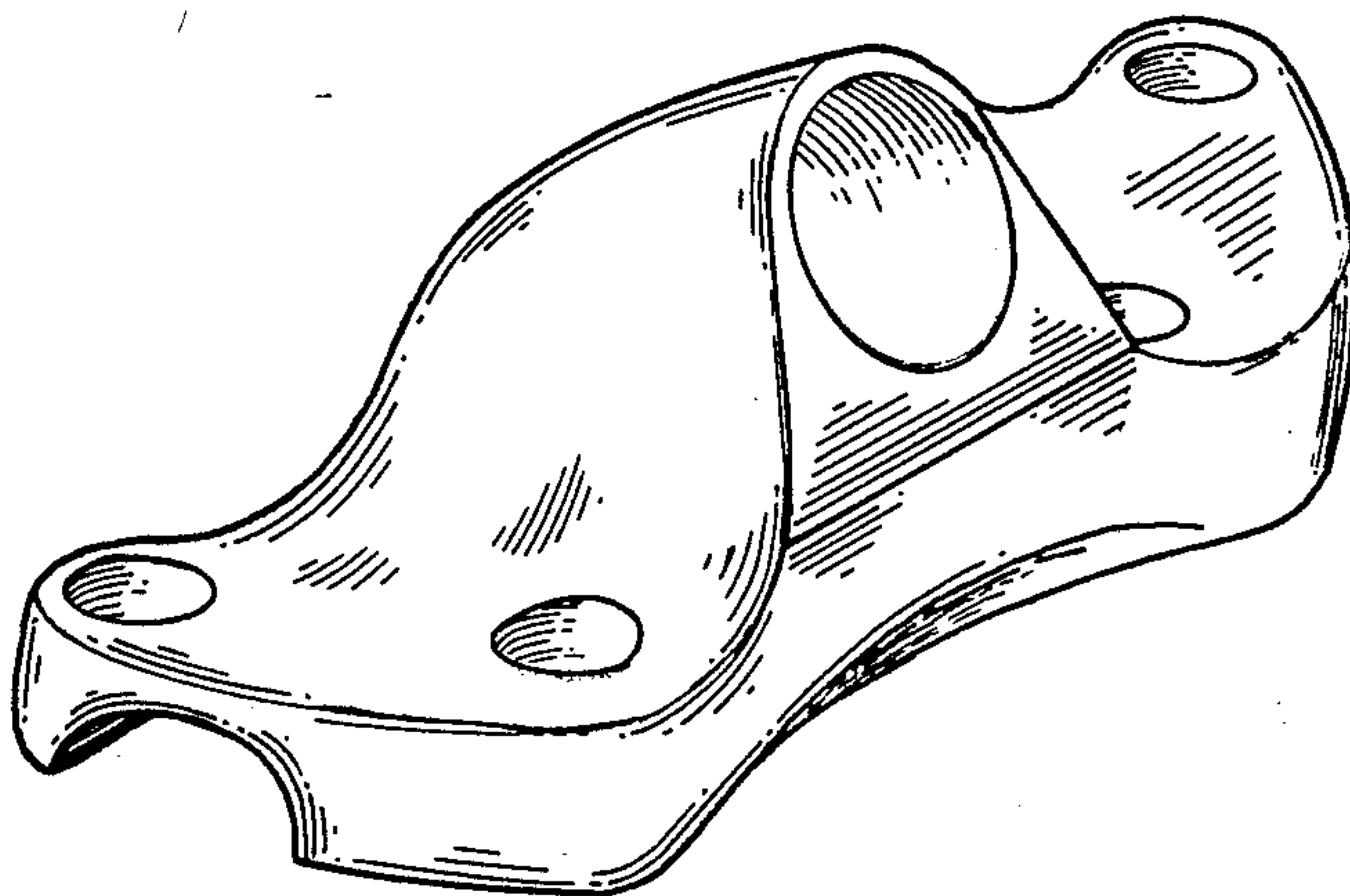
FIG. 3 is a bottom plan view thereof.

FIG. 4 is a front elevational view thereof.

FIG. 5 is a rear elevational view thereof.

FIG. 6 is a right side elevational view thereof.

FIG. 7 is a left side elevational view thereof.



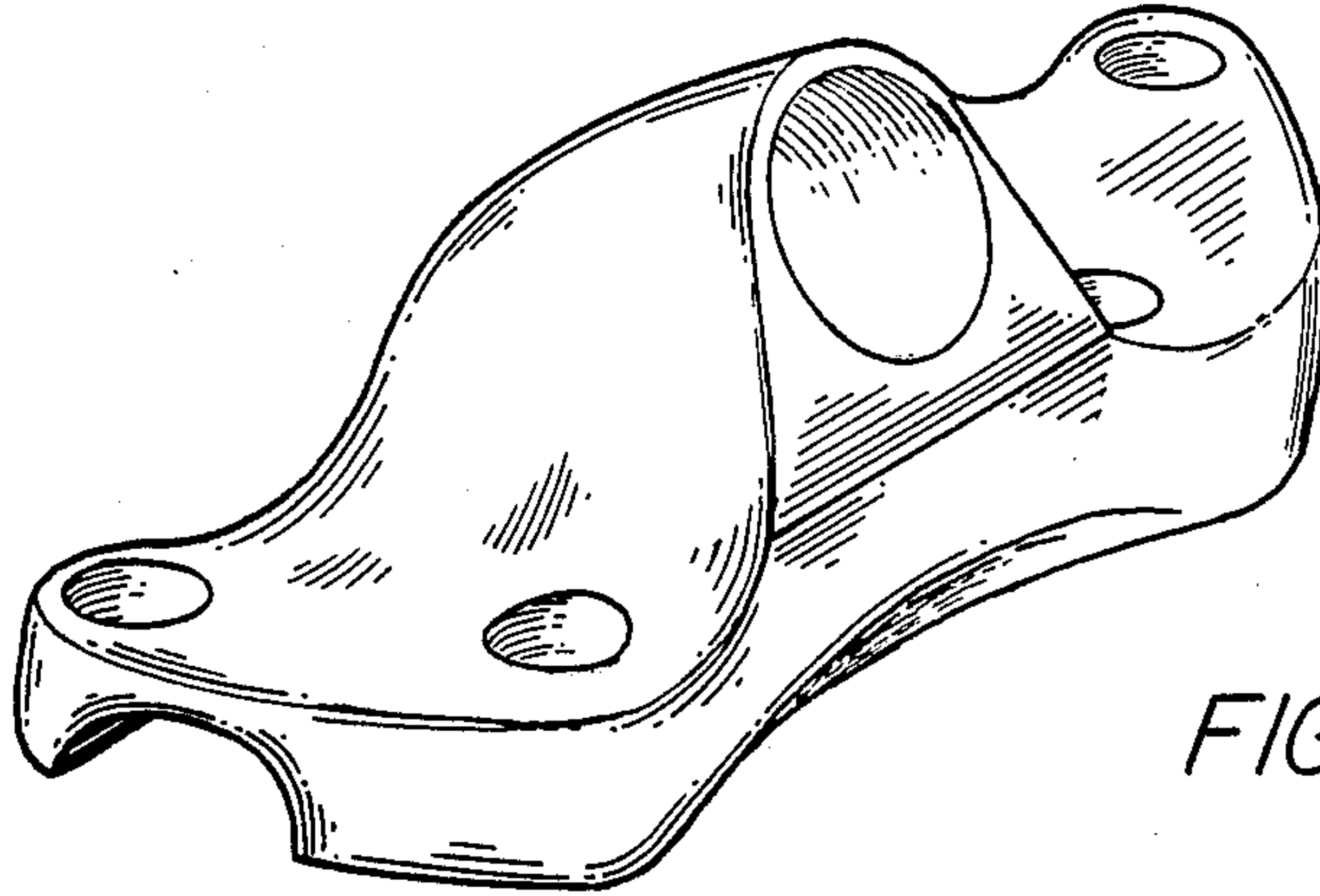


FIG. 1

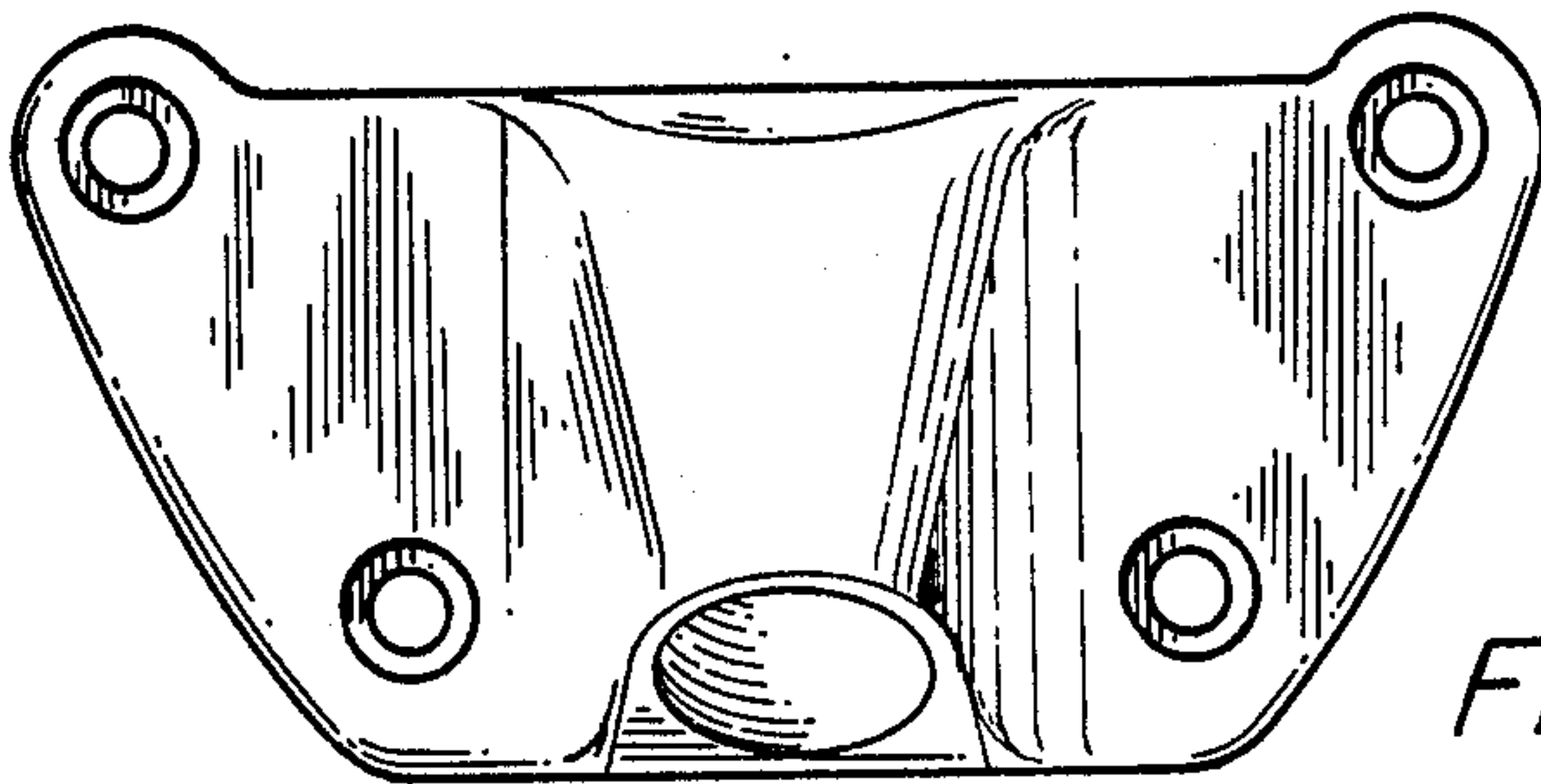


FIG. 2

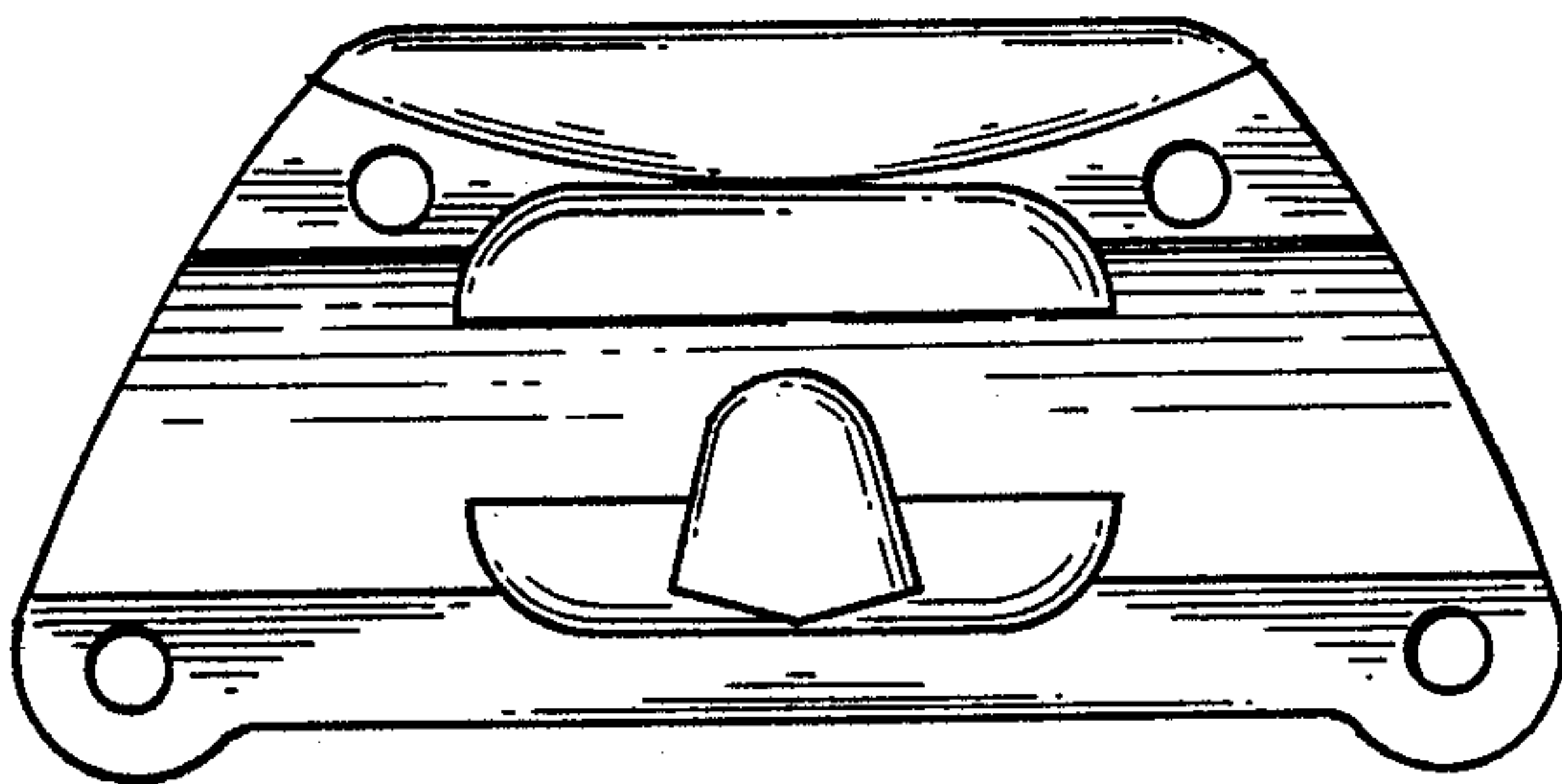


FIG. 3

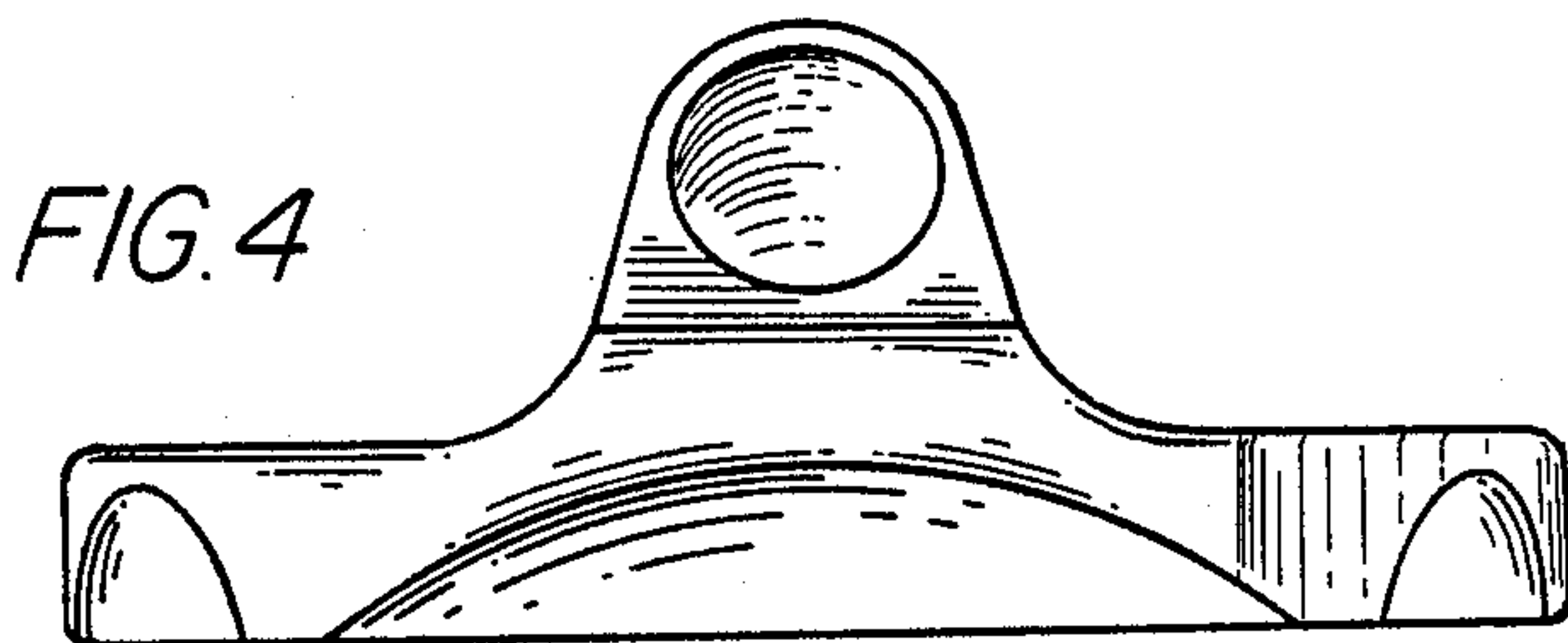


FIG. 4

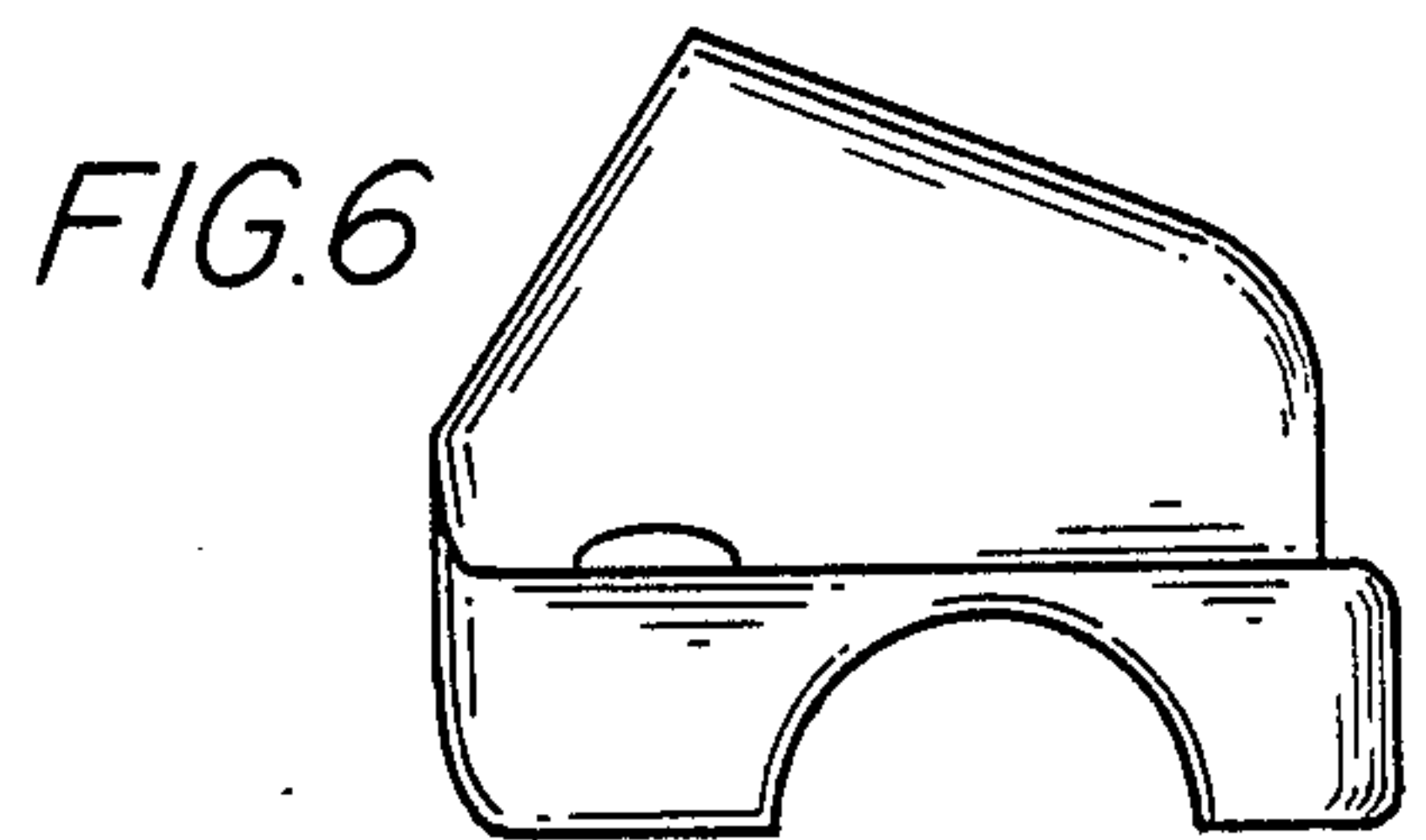


FIG. 6

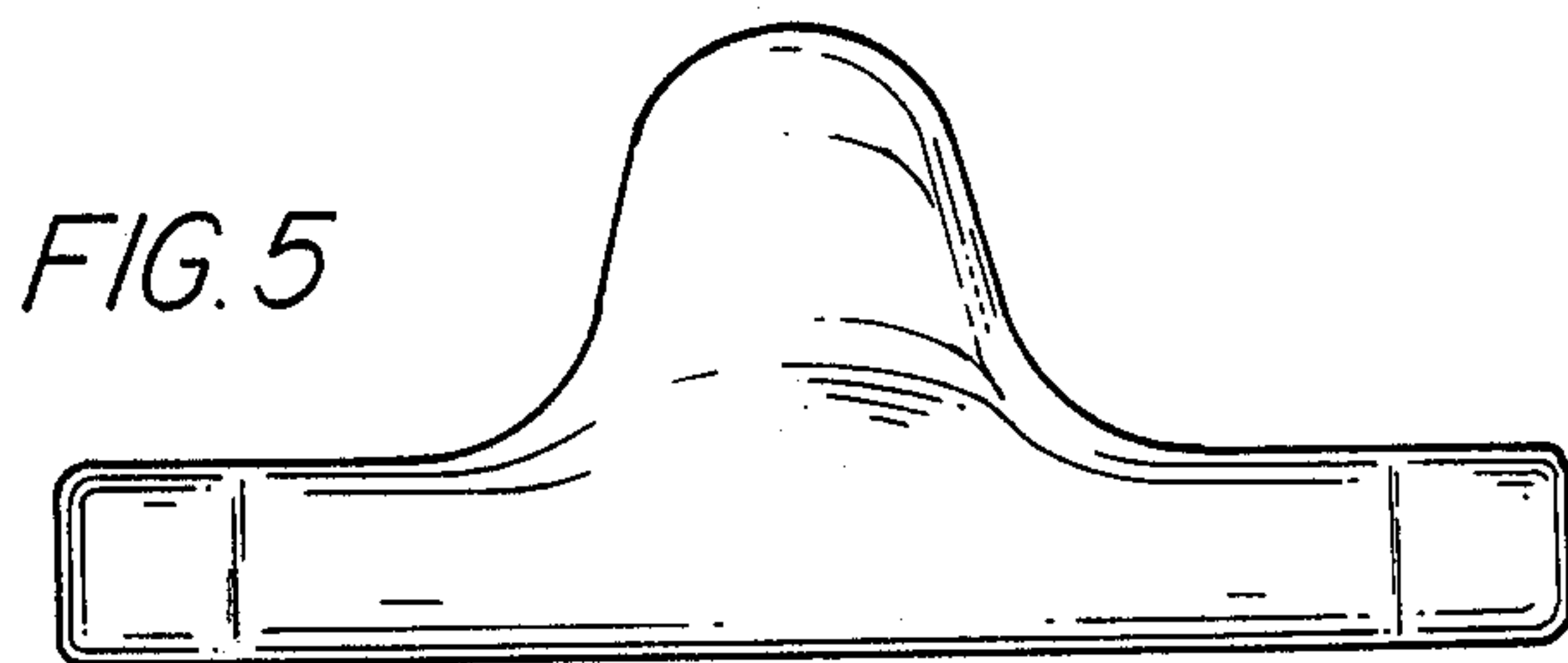


FIG. 5

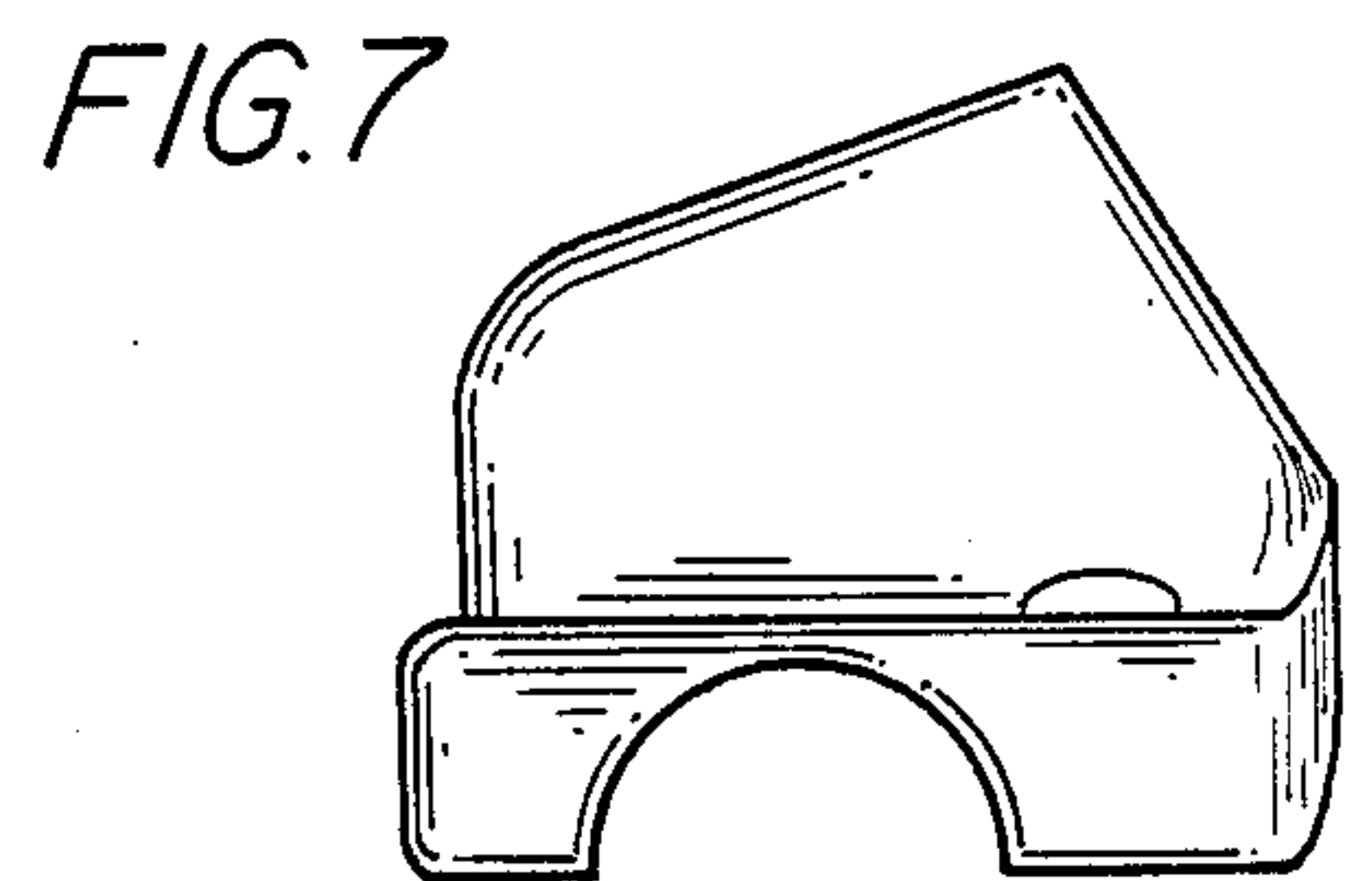


FIG. 7