

[54] TOP SHELL FOR EXPANSION BRACELET LINK

[75] Inventor: Murray L. Cowan, Norwood, Mass.

[73] Assignee: Textron, Inc., Providence, R.I.

[\*\*] Term: 14 Years

[21] Appl. No.: 909,428

[22] Filed: Sep. 19, 1986

[52] U.S. Cl. .... D11/93; D11/25

[58] Field of Search ..... D11/1-6, D11/11-25, 93, 94; 63/1-11; 59/79.1-84, 90-92

[56] References Cited

U.S. PATENT DOCUMENTS

D. 213,633 3/1969 Poon ..... D11/21

D. 227,796 7/1973 Fontaine ..... D11/93  
D. 238,808 2/1976 Cowan ..... D11/25  
1,822,393 9/1931 Fassnacht et al. .... D11/93 X  
2,928,100 3/1960 Gagnon ..... 59/82

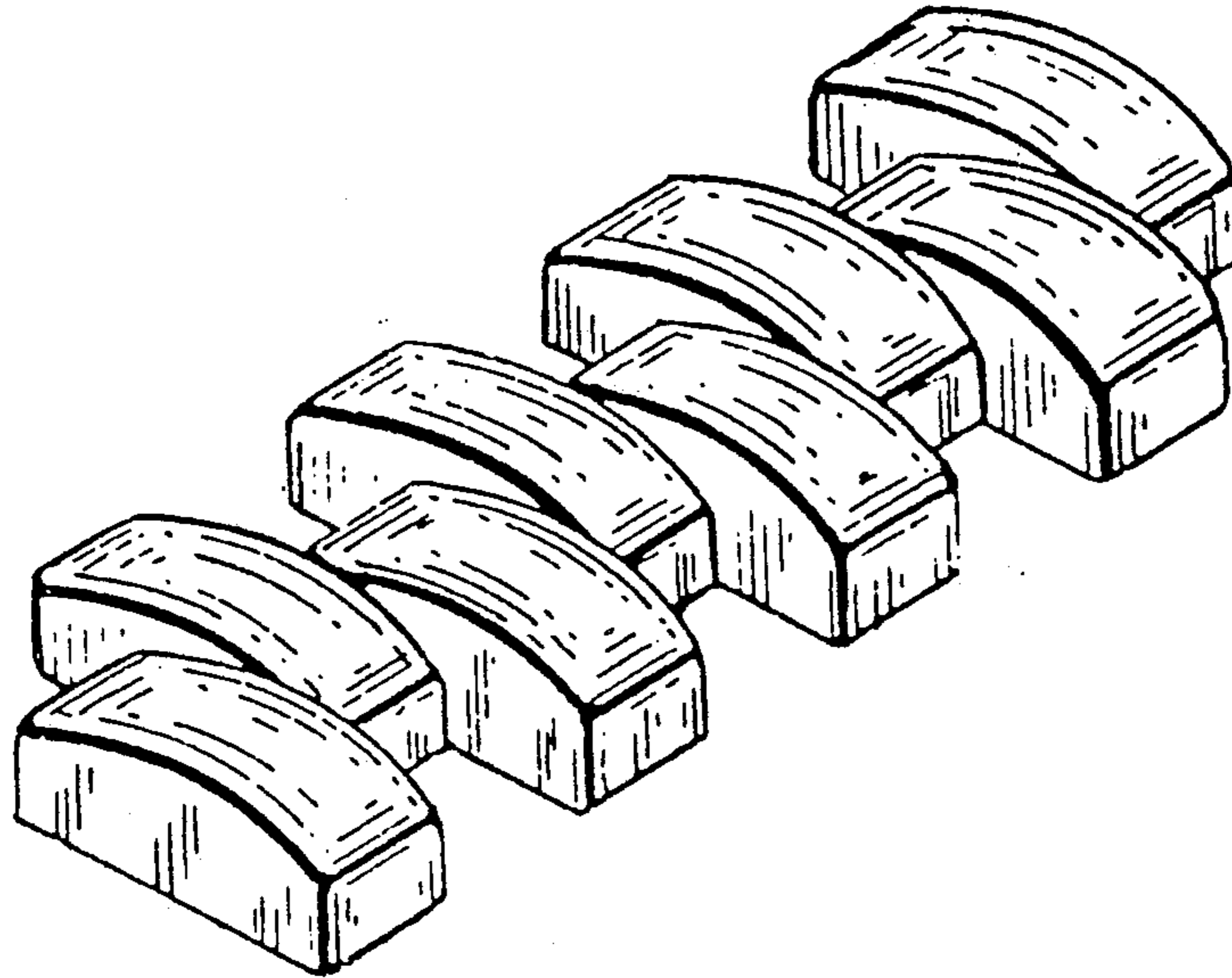
Primary Examiner—Louis S. Zarfes  
Attorney, Agent, or Firm—Samuels, Gauthier, Stevens & Kehoe

[57] CLAIM

The ornamental design for a top shell for expansion bracelet link, as shown and described.

DESCRIPTION

FIG. 1 is a perspective view of a top shell for expansion bracelet link showing my new design; FIG. 2 is a top plan view thereof; FIG. 3 is a side elevational view thereof; FIG. 4 is an end view thereof; and FIG. 5 is a bottom plan view thereof.



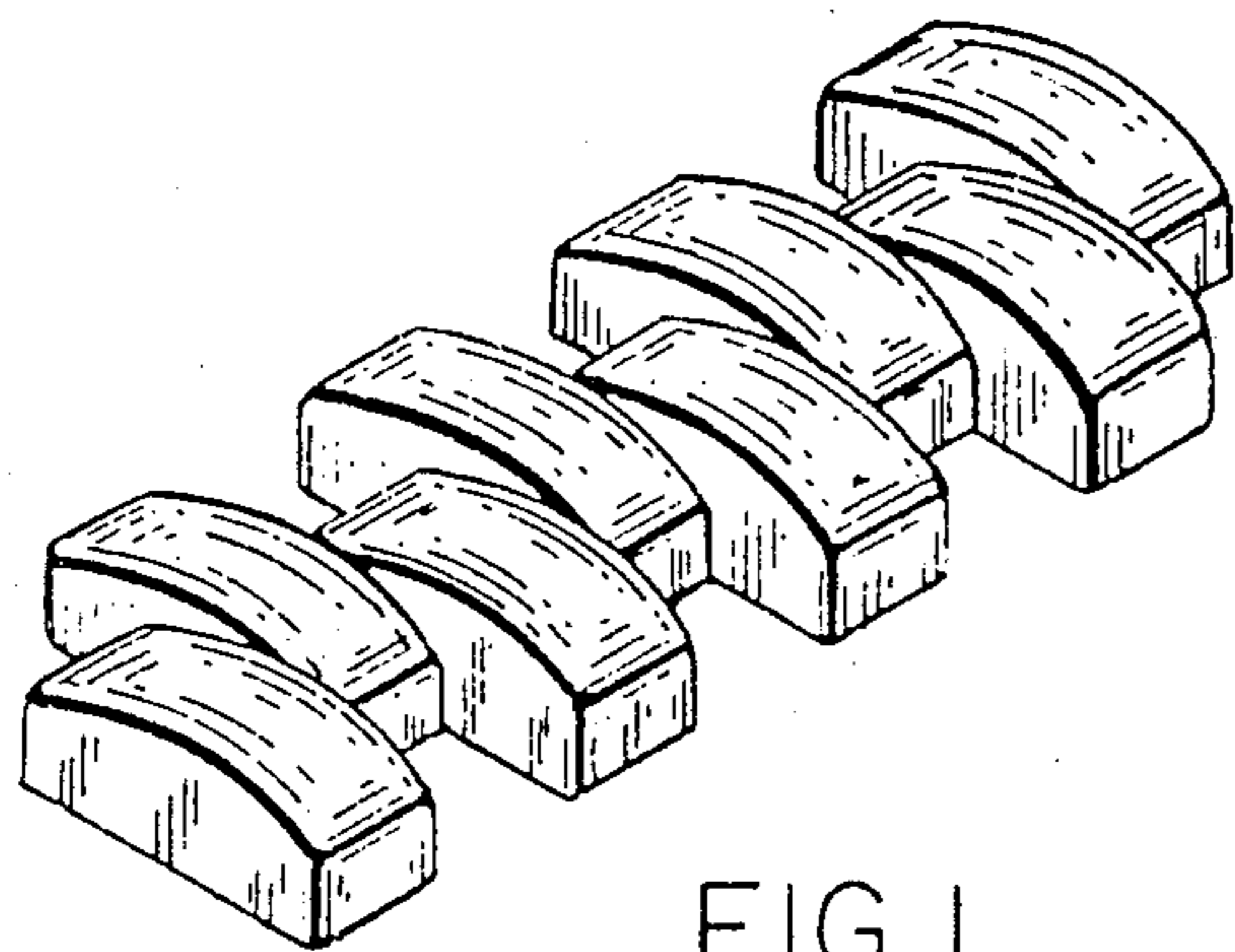


FIG. 1

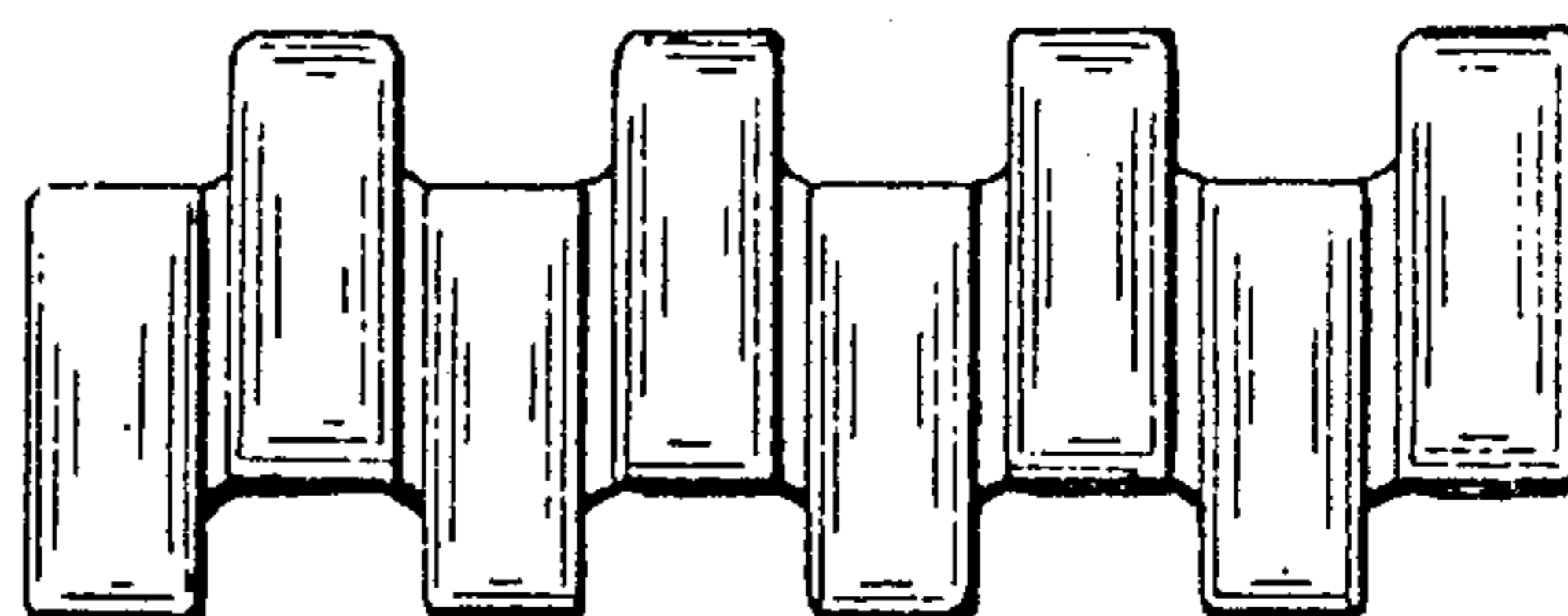


FIG. 2



FIG. 4

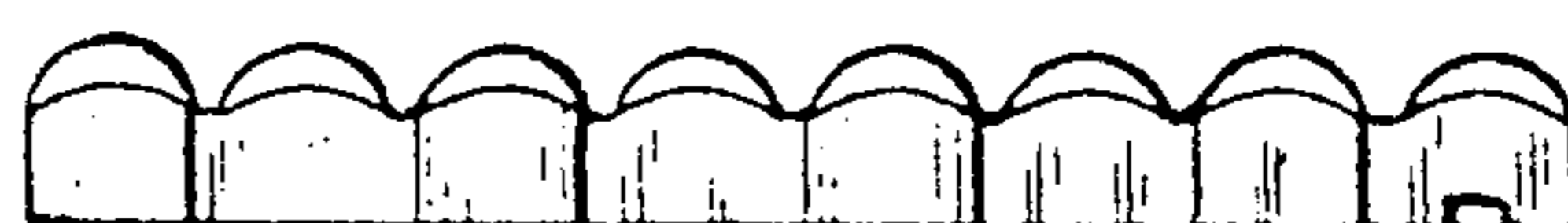


FIG. 3

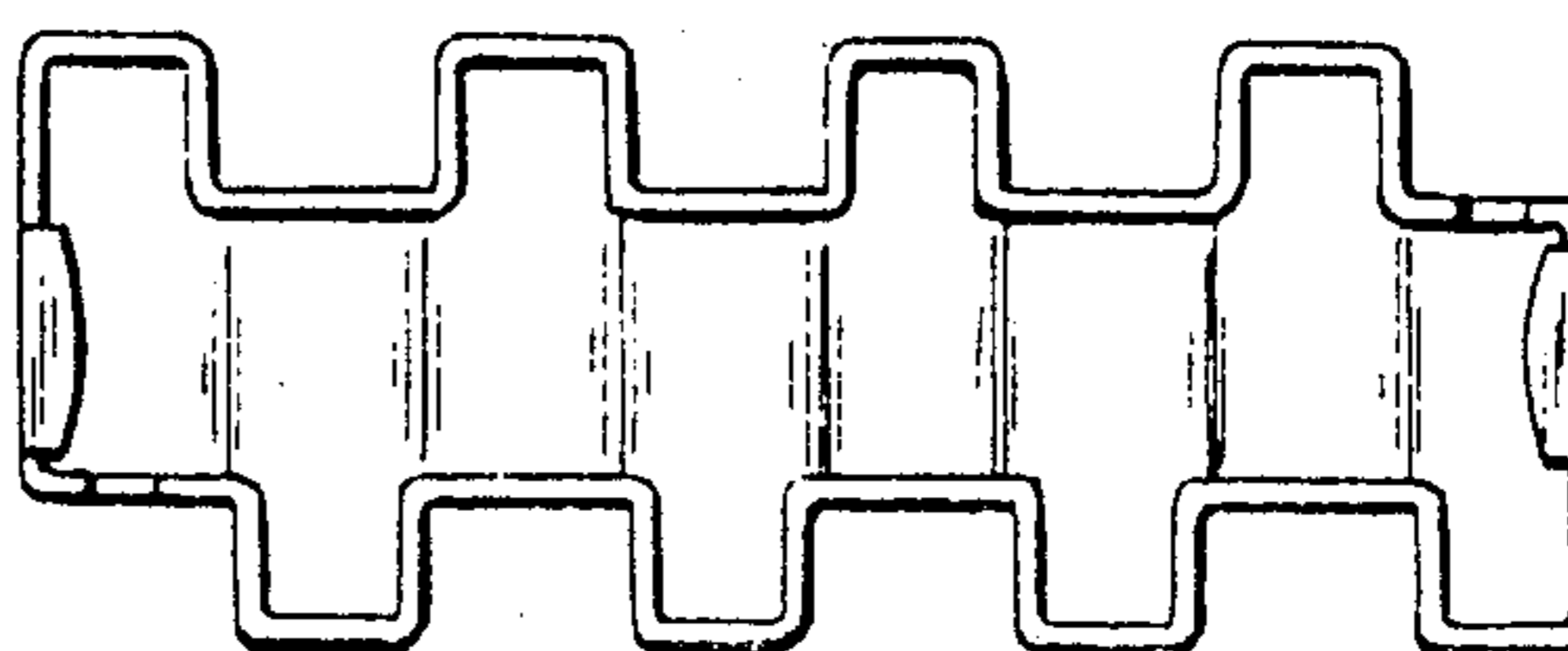


FIG. 5