

[54] SUPPLY SPOOL FOR A FISHING LINE

[75] Inventors: Lutz Kuntze, Gunzenhausen; Rupert Kuntze, Berlin, both of Fed. Rep. of Germany

[73] Assignee: D.A.M. Deutsche Angelgeraete Manufaktur Hellmuth Kuntze GmbH & Co. KG, Berlin, Fed. Rep. of Germany

[**] Term: 14 Years

[21] Appl. No.: 841,374

[22] Filed: Mar. 3, 1986

[30] Foreign Application Priority Data

Sep. 4, 1985 [DE] Fed. Rep. of Germany ... MR V 562

[52] U.S. Cl. D8/358

[58] Field of Search D8/358, 359; D22/140, D22/137; 242/118.4, 118, 851, 71.8

[56] . References Cited

U.S. PATENT DOCUMENTS

D. 136,657 11/1943 Funke D8/358

D. 200,791 4/1965 Smith D8/358

3,010,613	11/1961	Marconi	D22/137
3,129,348	4/1964	Simmons	242/118
3,368,177	2/1968	Hilgens	242/118
3,421,127	1/1969	Fischer et al.	242/118.4
4,083,450	4/1978	La Mar	242/71.8
4,352,469	10/1982	Huck	242/71.8
4,497,457	2/1985	Horvey	242/85.1
4,515,323	5/1985	Rood et al.	242/71.8
4,715,554	12/1987	Kuntze	242/118.4
4,742,969	5/1988	Masuda	242/71.8

Primary Examiner—Horace B. Fay, Jr.
 Attorney, Agent, or Firm—Bacon & Thomas

[57] CLAIM

The ornamental design for a supply spool for a fishing line, as shown and described.

DESCRIPTION

FIG. 1 is a left side, top and front perspective view of a supply spool for a fishing line showing our new design; FIGS. 2 and 3 are, respectively, top and bottom plan view thereof;

FIGS. 4 is a front elevational view thereof, the rear elevational view being a mirror image, and the side elevational view being identical to FIG. 4; and

FIG. 5 is a vertical sectional view taken in the direction of the arrow on the lines 5—5 of FIG. 3.

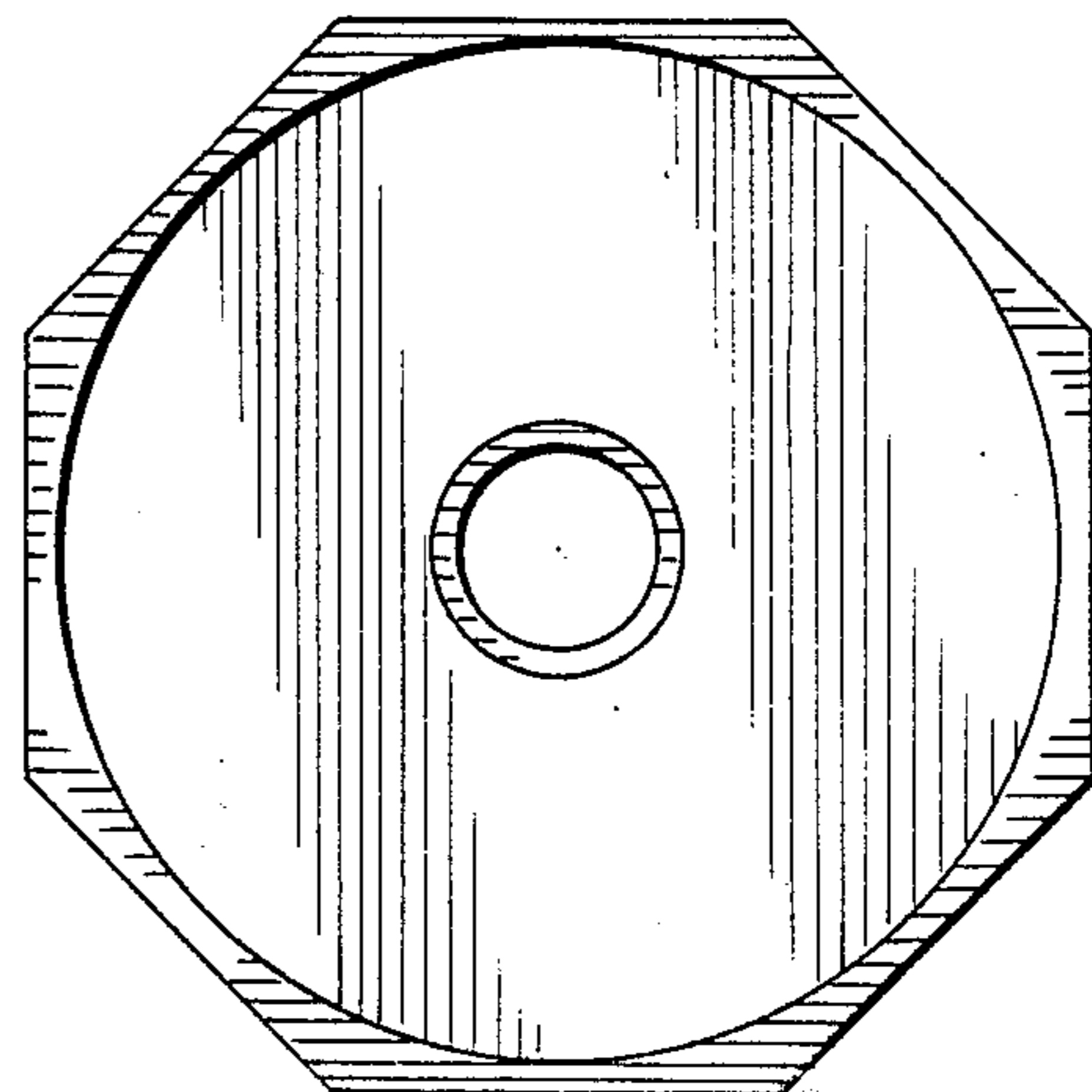
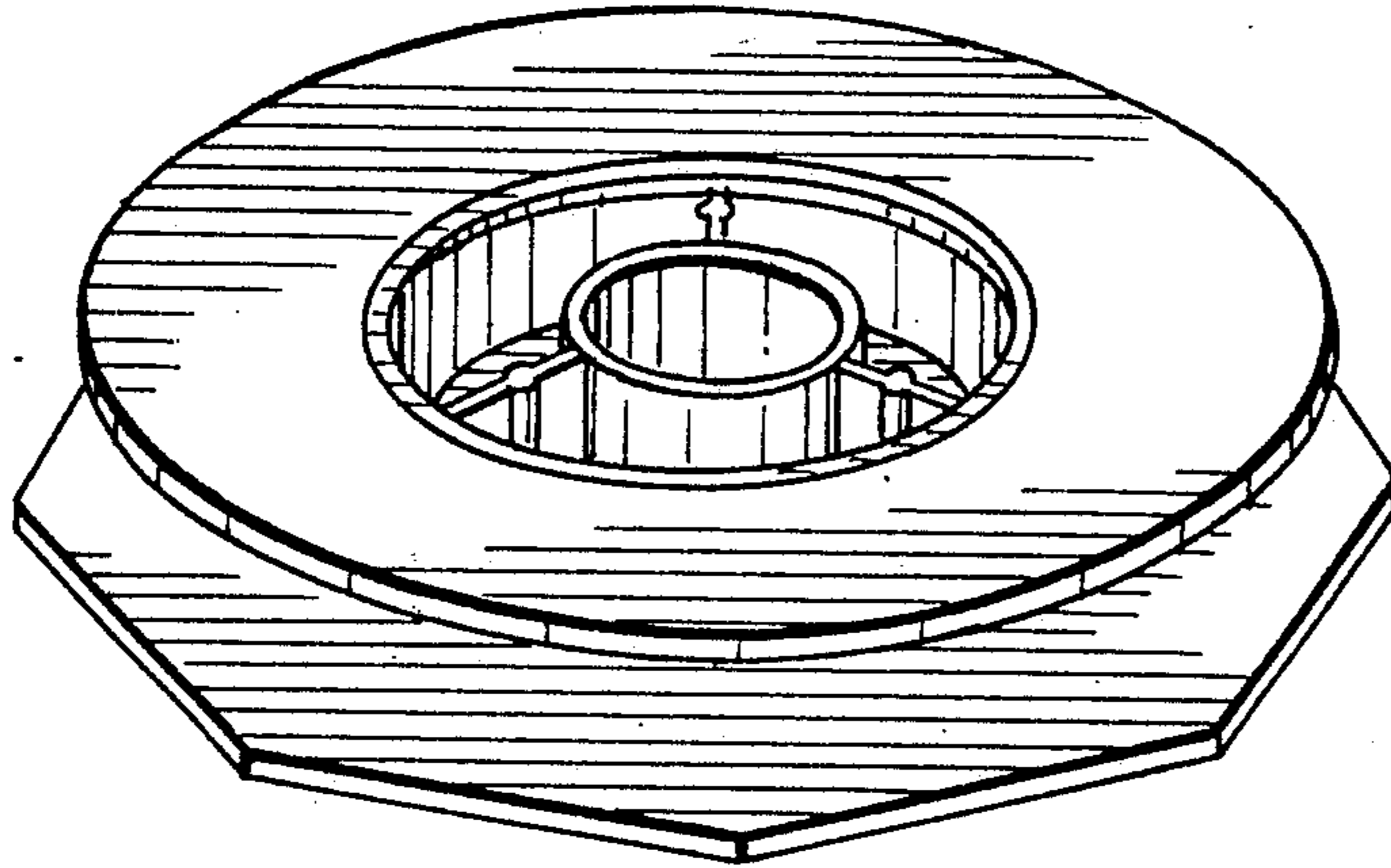


Fig. 1

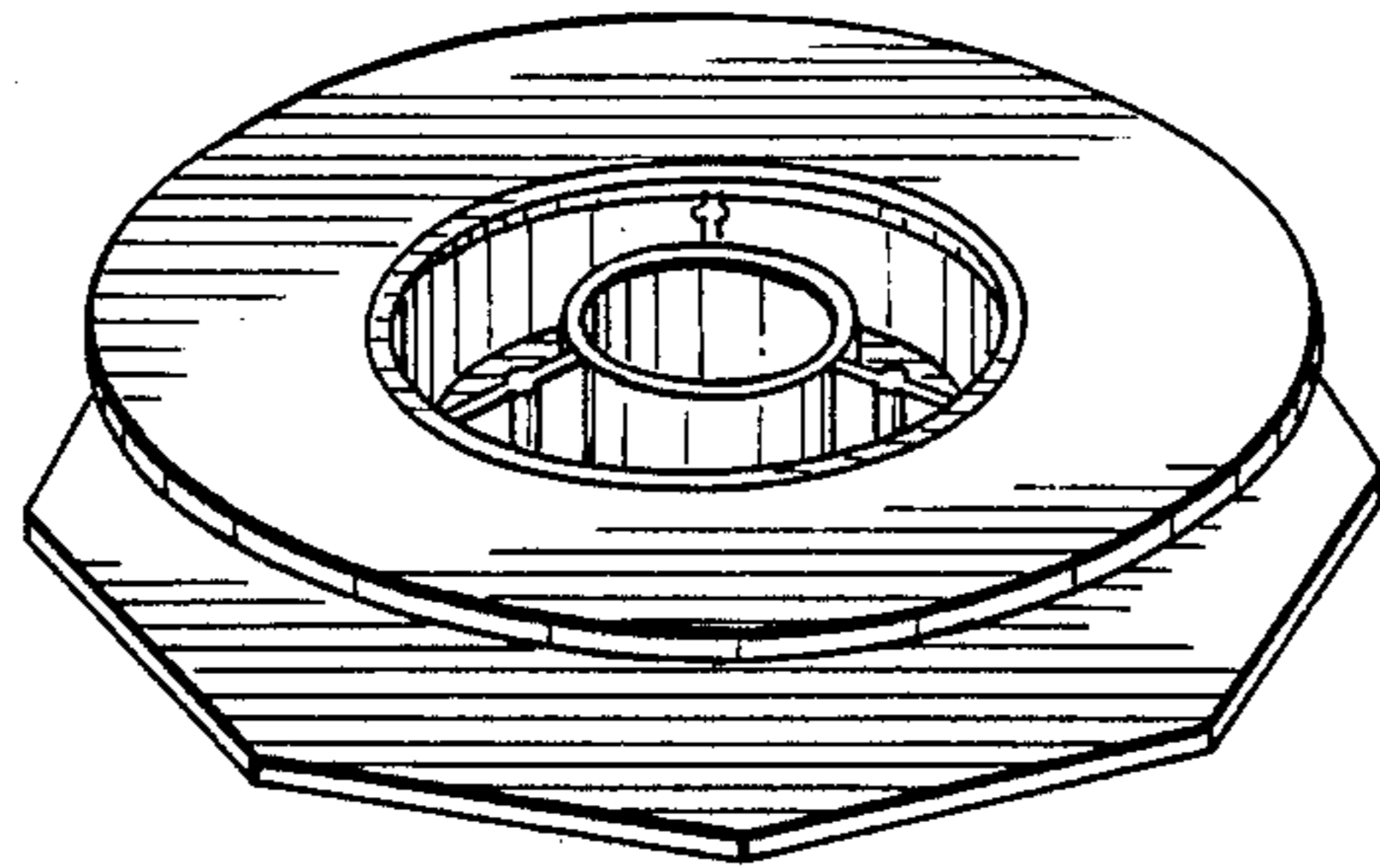


Fig. 2

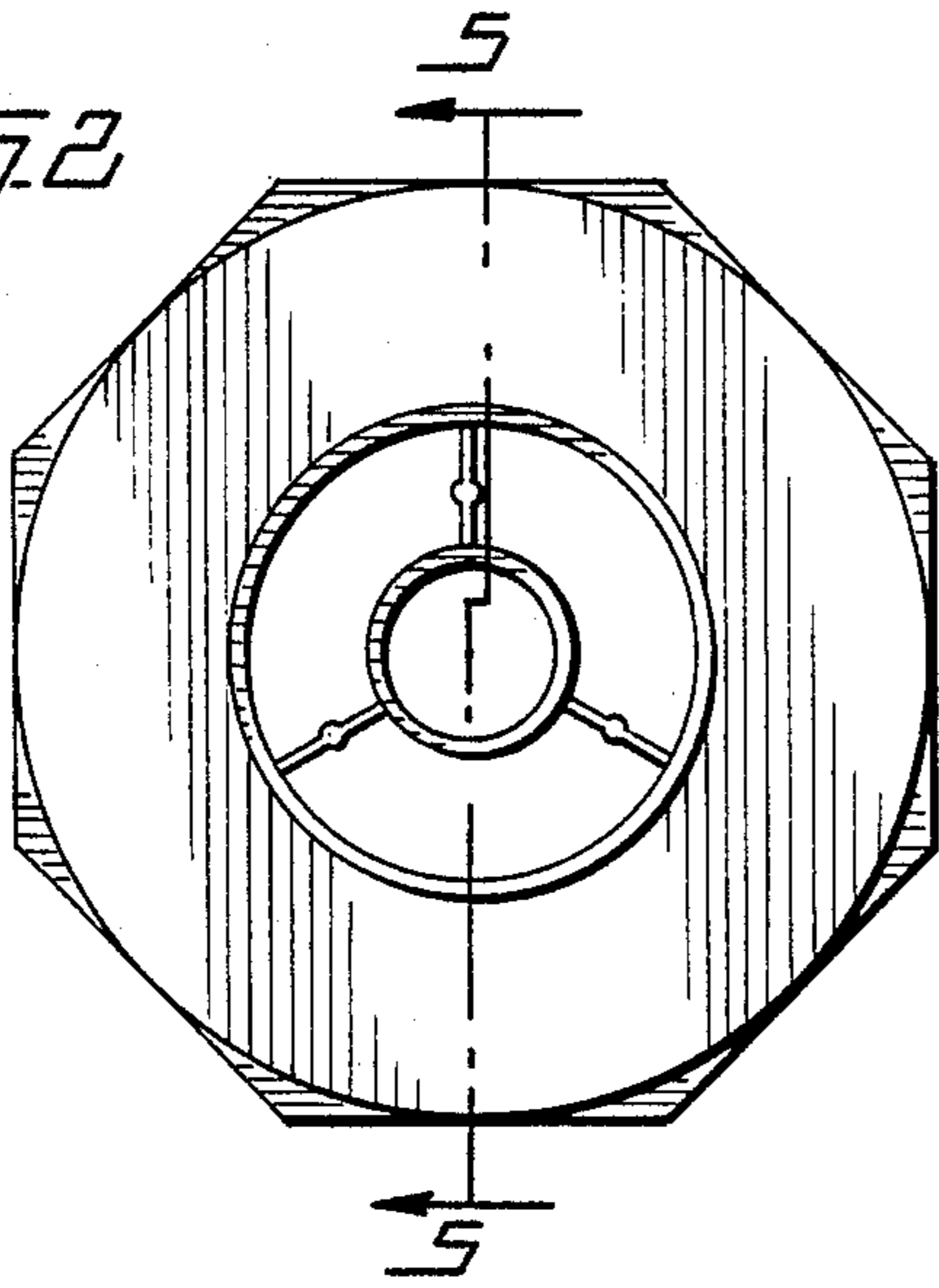


Fig. 3

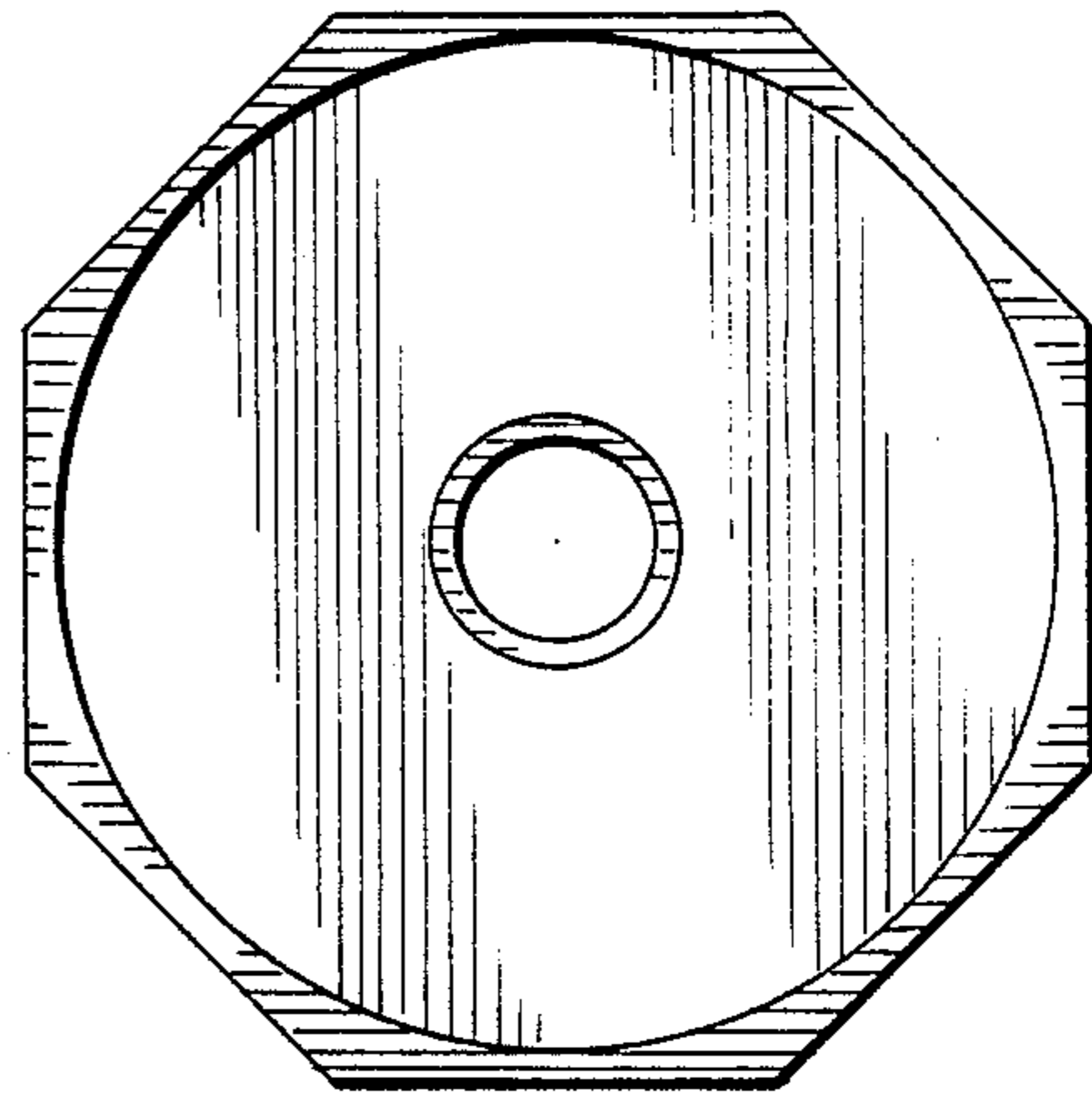


Fig. 4



Fig. 5

