

[54] TELESCOPICALLY EXTENDABLE,
MULTIPLE-ELEMENT HOLE CUTTER

[75] Inventor: Eduard Lauer, Southbury, Conn.

[73] Assignee: Halstead Industries, Inc.,
Greensboro, N.C.

[**] Term: 14 Years

[21] Appl. No.: 738,597

[22] Filed: May 28, 1985

[52] U.S. Cl. D8/98; D8/14

[58] Field of Search D8/98, 99, 102, 14,
D8/107; 30/314-317, 294, 92, 113.1, 113.3,
130, 194, 296 R, 124, 280, 301, 352; D21/206;
343/90; 220/8; D16/132

[56] References Cited

U.S. PATENT DOCUMENTS

1,010,190	11/1911	Seely	30/316
1,557,464	10/1925	Mick	30/316
2,086,435	7/1937	Rapp	30/316
2,266,393	12/1941	Hoffman	30/316
2,285,588	6/1942	Kirkes	343/901
2,615,245	10/1952	Schaumleffel	30/316
2,686,690	8/1954	Kushnir	30/316
2,990,615	7/1961	Ohler	30/316
3,384,408	5/1968	Furzey	D8/14 X
3,384,963	5/1968	Brando	30/316
4,352,242	10/1982	Plet	30/316

FOREIGN PATENT DOCUMENTS

1475197	3/1967	France	30/316
---------	--------	--------	--------

Primary Examiner—Wallace R. Burke
Assistant Examiner—Clare E. Heflin
Attorney, Agent, or Firm—Mattern, Ware, Stoltz &
Fressola

[57] CLAIM

The ornamental design for a telescopically extendable,
multiple-element hole cutter.

DESCRIPTION

FIG. 1 is a perspective view of a telescopically extendable,
multiple-element hole cutter showing my new design;

FIG. 2 is a side elevational view thereof showing the
plurality of elements telescopically extended;

FIG. 3 is a side elevational view thereof showing the
elements fully nested;

FIG. 4 is an end view thereof looking from the left of
FIG. 3;

FIG. 5 is an end view thereof looking from the right of
FIG. 3;

FIG. 6 is a cross-sectional side elevational view thereof
showing the elements telescopically extended;

FIG. 7 is a cross-sectional view thereof, taken along the
line 7—7 in FIG. 3 showing the tool in the closed position;

FIG. 8 is a side elevational view of the telescopically
extendable multiple element hole cutter showing an
alternate embodiment of my new design in the closed
position, the surface of the end cap thereof being flat,
plain and unornamented;

FIG. 9 is a side elevational view thereof shown in the
fully extended position with the end cap removed for
illustrative purpose only.

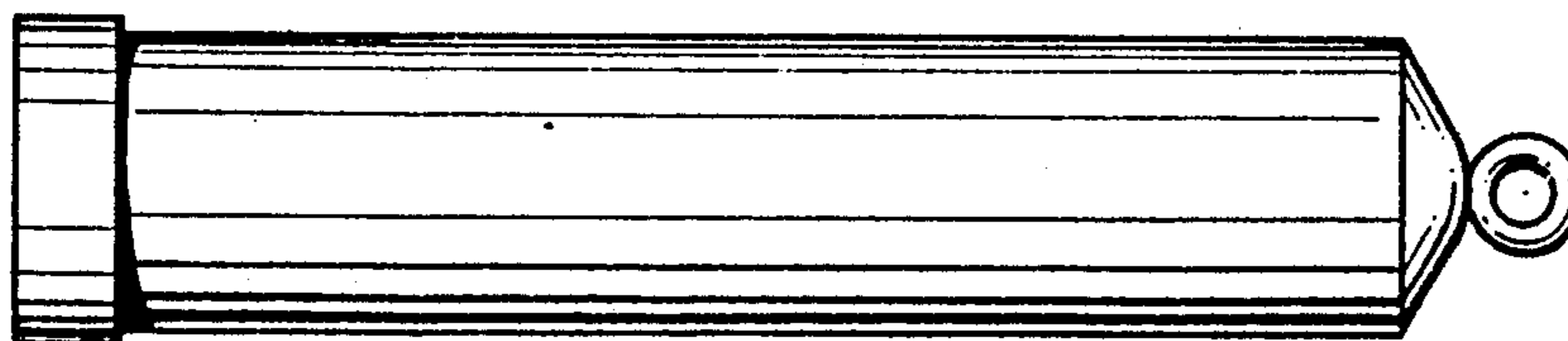
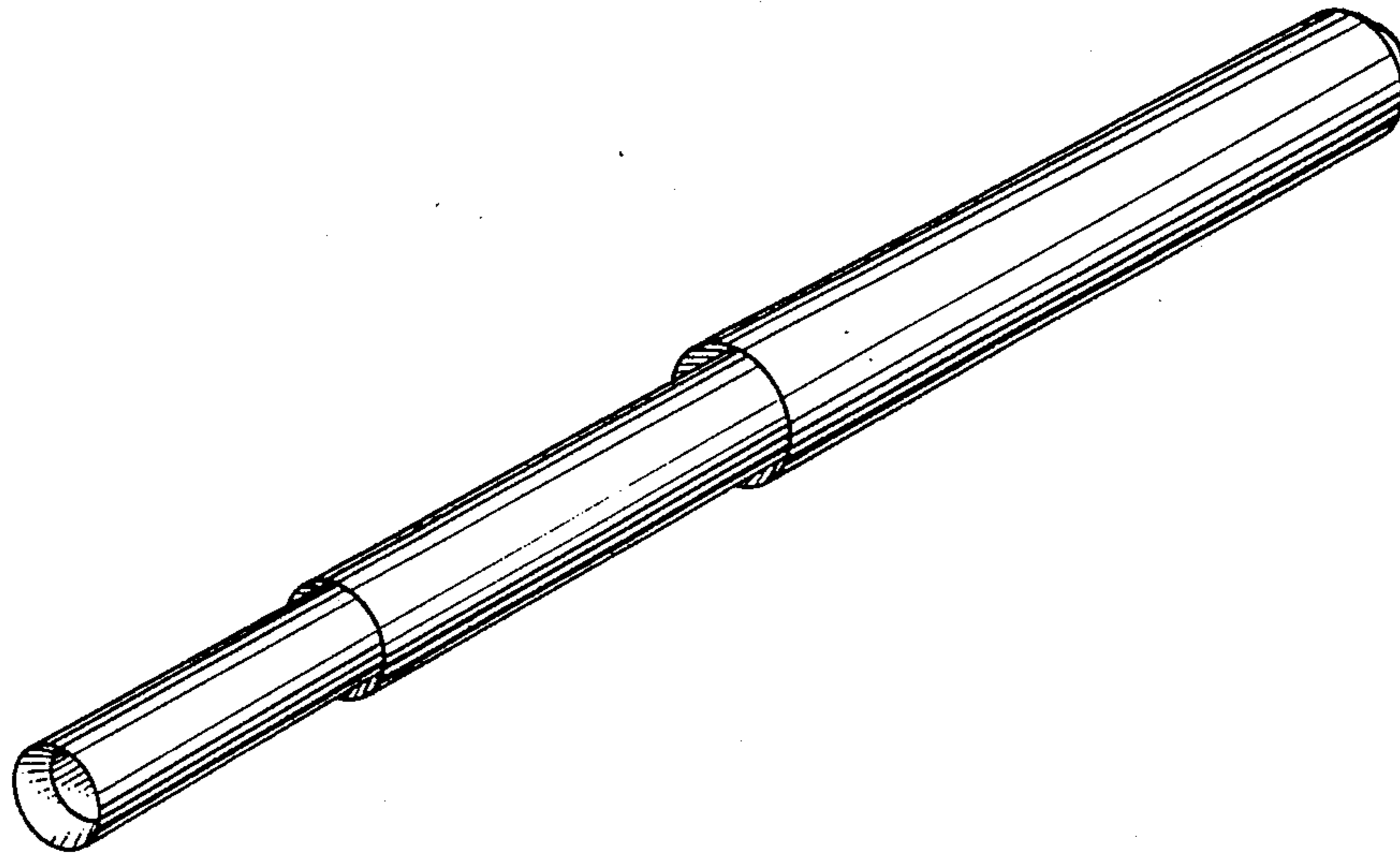


FIG. 1

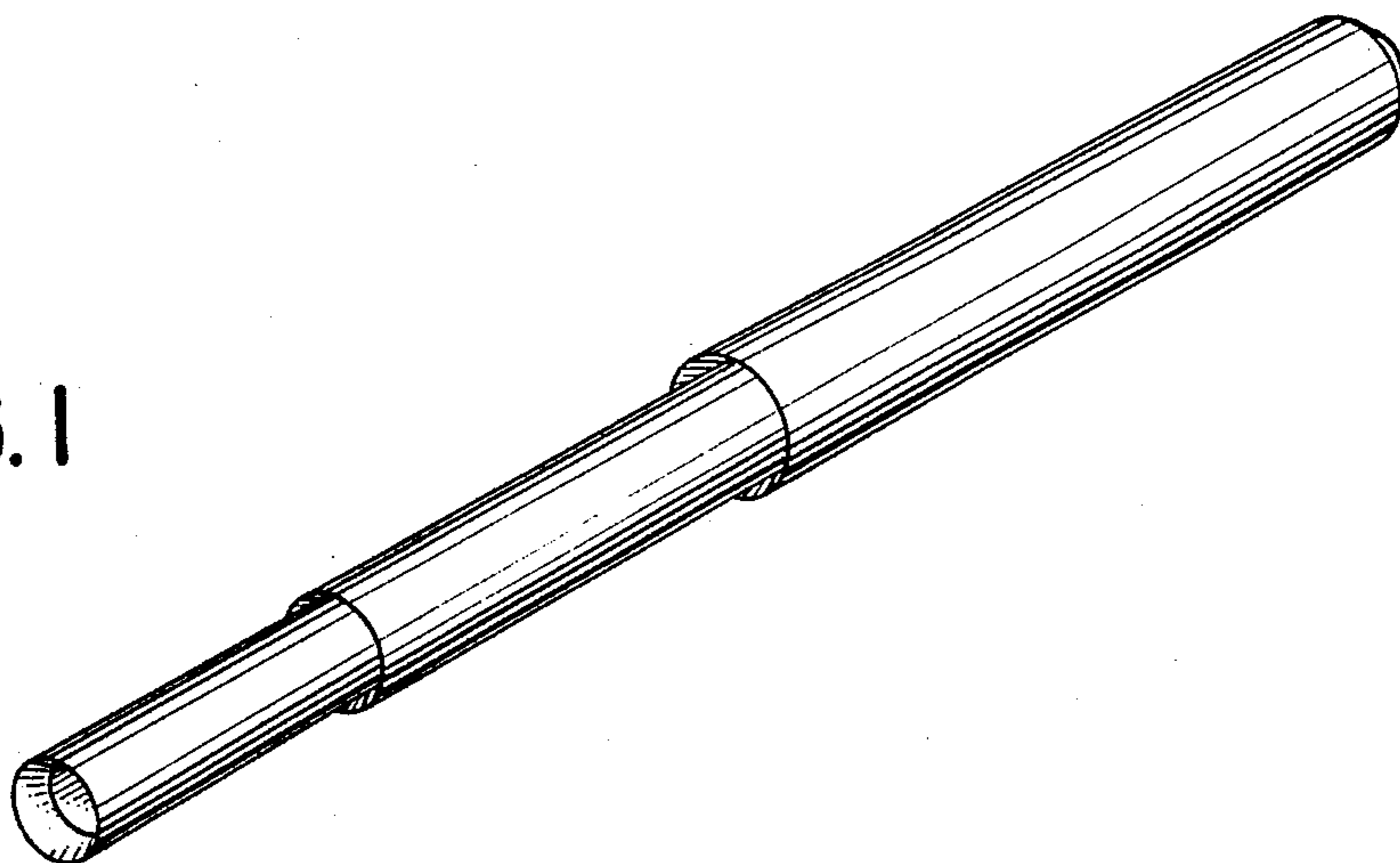


FIG. 2

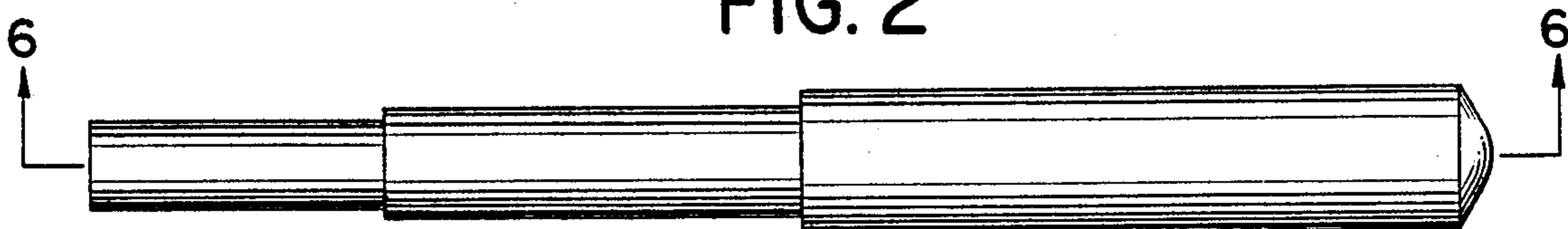


FIG. 4

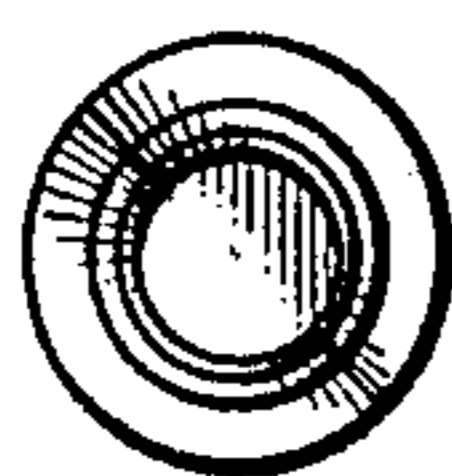


FIG. 3

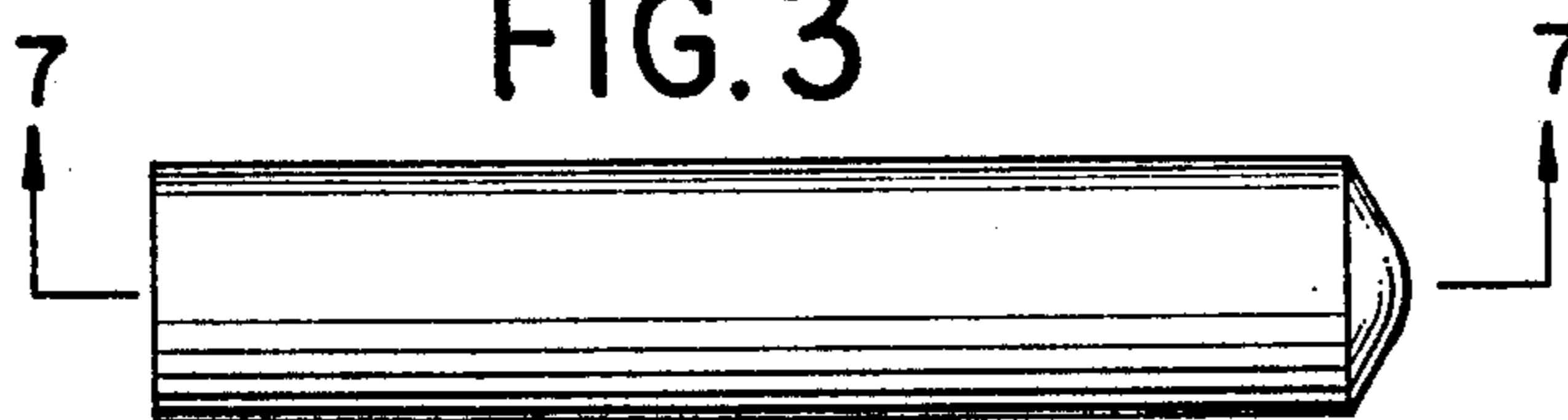


FIG. 5



FIG. 6

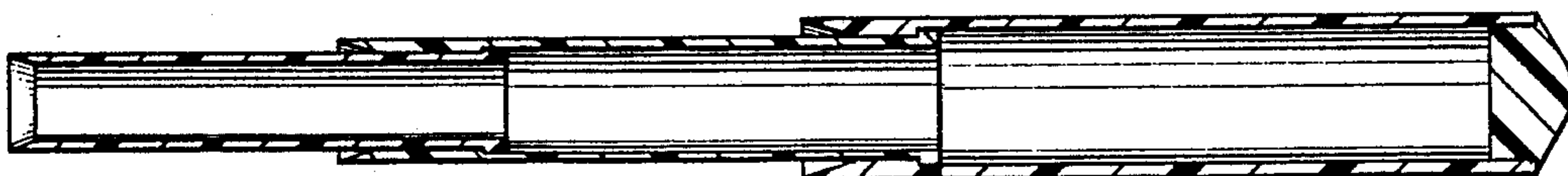


FIG. 7

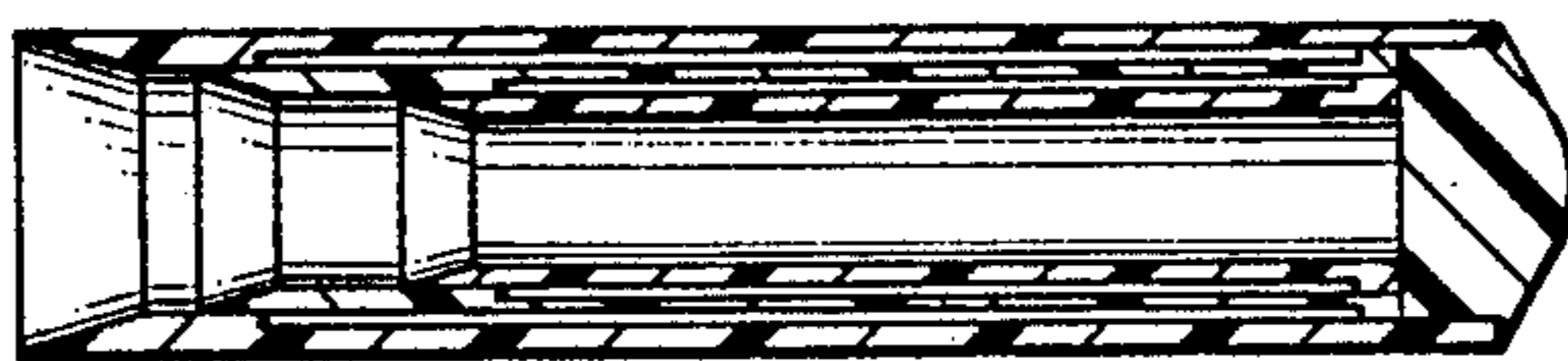


FIG. 8

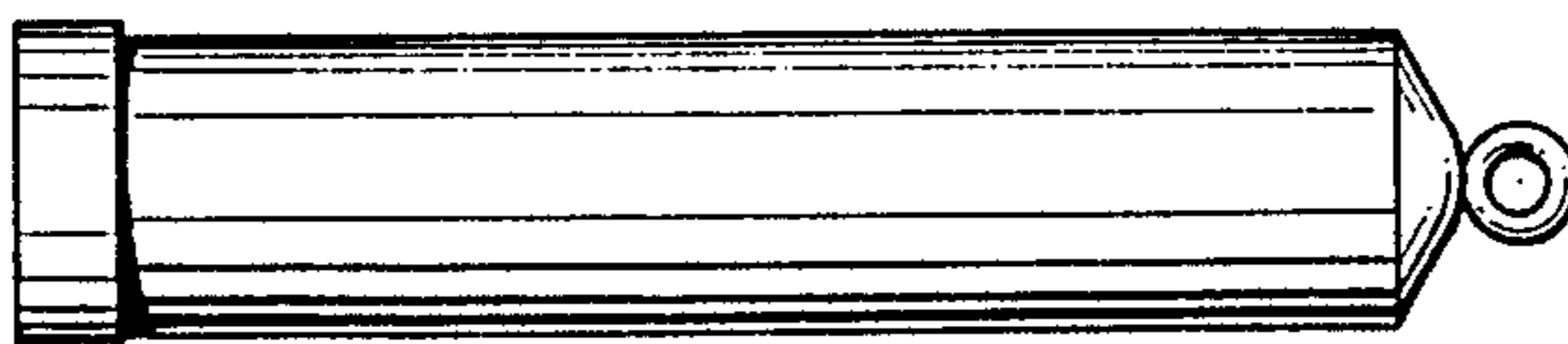


FIG. 9

