

United States Patent [19]
Michaelsen

[11] **Patent Number: Des. 300,397**

[45] **Date of Patent: ** Mar. 28, 1989**

[54] **SHELF SUPPORT OR SIMILAR ARTICLE**

[75] **Inventor: Jørgen Michaelsen, Struer, Denmark**

[73] **Assignee: Bang & Olufsen of America, Inc., Mt. Prospect, Ill.**

[**] **Term: 14 Years**

[21] **Appl. No.: 721,950**

[22] **Filed: Apr. 11, 1985**

[30] **Foreign Application Priority Data**

Oct. 11, 1984 [DK] Denmark 916/84
[52] **U.S. Cl. D6/491; D25/124**
[58] **Field of Search D6/491, 509; D25/70, D25/73, 74, 76, 79**

[56] **References Cited**

U.S. PATENT DOCUMENTS

D. 267,217 12/1982 White et al. D6/509
D. 288,881 3/1987 Cowdroy D6/491
2,352,100 6/1944 Hornung D6/509 X

Primary Examiner—Bruce W. Dunkins
Attorney, Agent, or Firm—William Brinks Olds Hofer
Gilson & Lione Ltd.

[57] **CLAIM**

The ornamental design for a shelf support or similar article, as shown and described.

DESCRIPTION

FIG. 1 is a perspective view of a shelf support or similar article showing my design;
FIG. 2 is an end elevational view taken from the right in FIG. 1;
FIG. 3 is a bottom view; and
FIG. 4 is a rear elevational view thereof.
The shelf support is shown broken away at the center in FIGS. 3 and 4 to indicate indeterminate length.

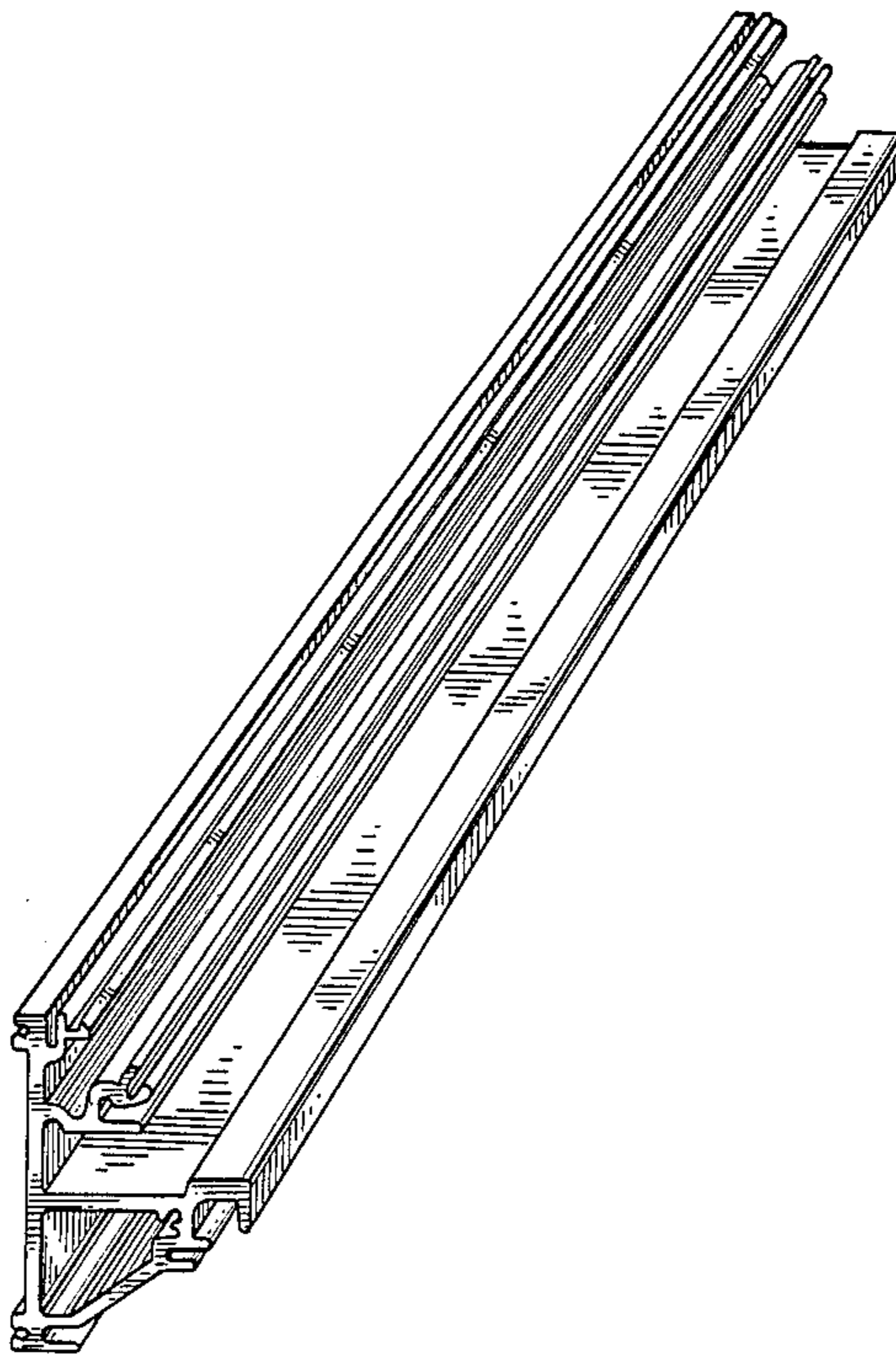


FIG. 1

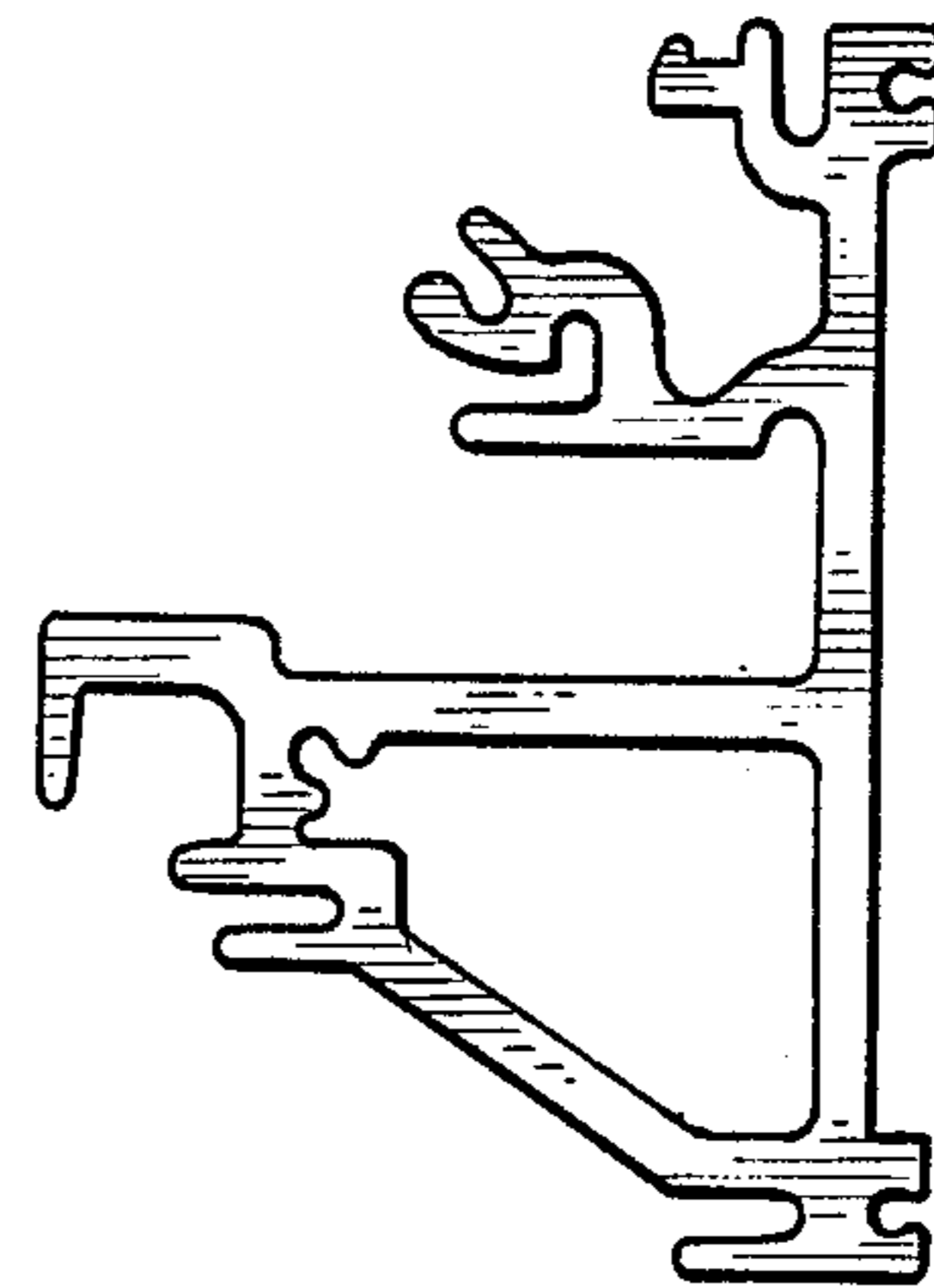
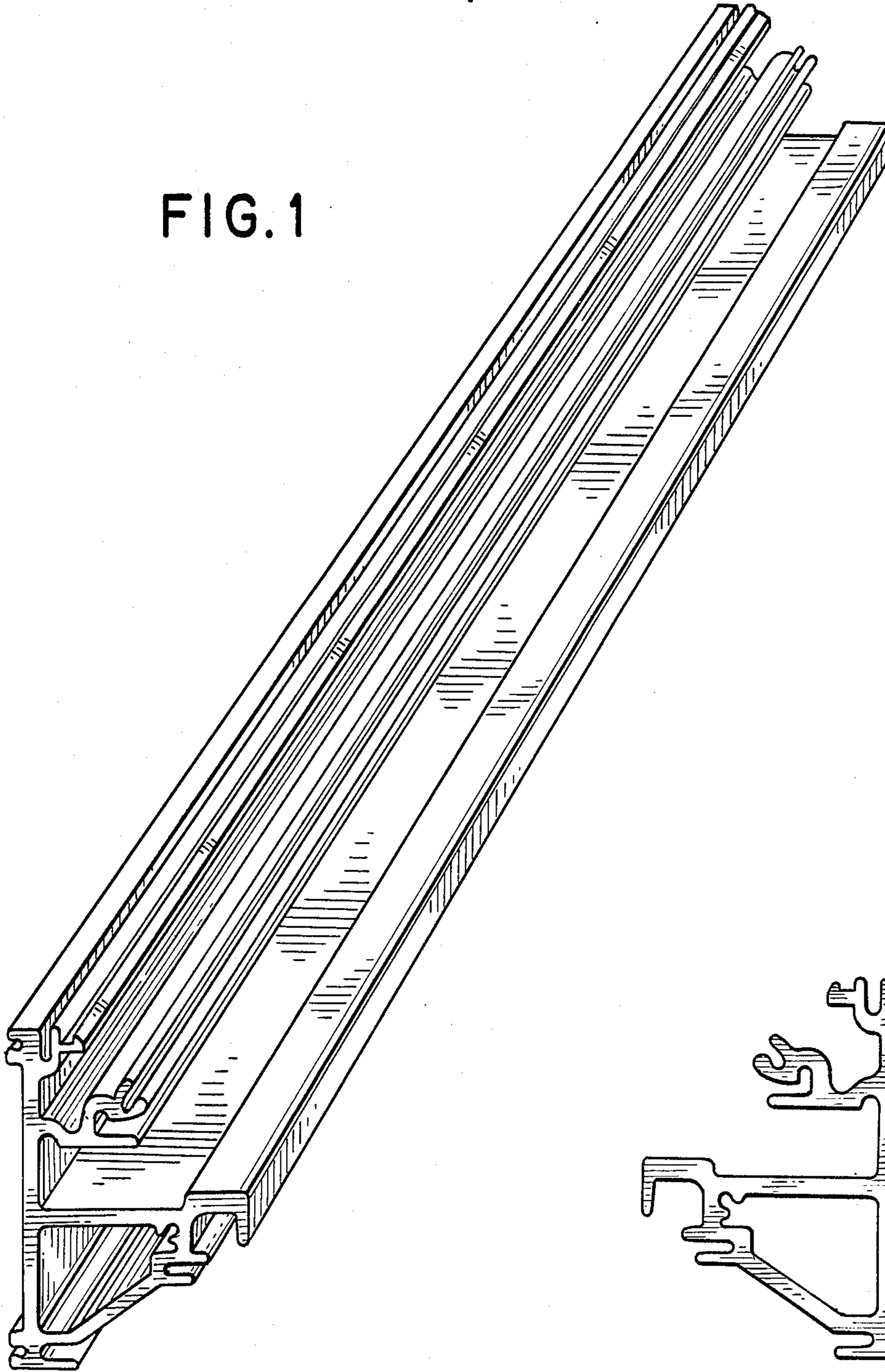


FIG. 2

FIG. 3

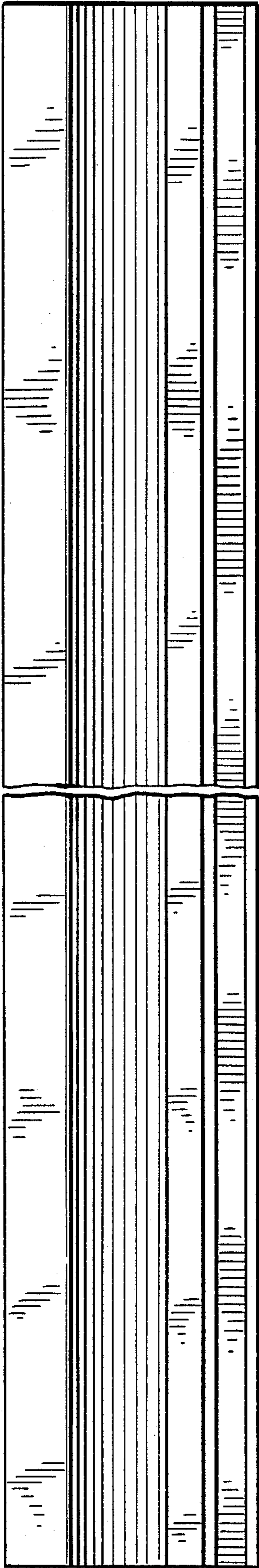


FIG. 4

