

United States Patent [19]

Emery, Jr.

[11] Patent Number: Des. 300,395

[45] Date of Patent: ** Mar. 28, 1989

[54] DISPLAY STAND

[76] Inventor: Charles H. Emery, Jr., 6617 Lincoln Dr., Philadelphia, Pa. 19119

[**] Term: 14 Years

[21] Appl. No.: 887,332

[22] Filed: Jul. 21, 1986

[52] U.S. Cl. D6/474; D6/461; D6/479

[58] Field of Search D6/449, 474, 477, 478, D6/479, 461, 460, 462; D34/21; 108/91, 92, 108; 211/137

[56] References Cited

U.S. PATENT DOCUMENTS

D. 129,636	9/1941	Dreyfuss	D6/479	X
D. 172,256	5/1954	Trout et al.	D6/479	
D. 175,252	8/1955	Goldstein	D6/474	
D. 205,387	7/1966	Fisher	D6/460	X
D. 273,067	3/1984	Evans	D6/462	
870,259	11/1907	Tenney	108/92	

1,688,048	10/1928	Irvine	108/108
1,954,601	4/1934	Sowerwine	108/92

FOREIGN PATENT DOCUMENTS

472979	2/1929	Fed. Rep. of Germany	211/137
--------	--------	----------------------	-------	---------

OTHER PUBLICATIONS

Lillian Vernon Corp., 1976, p. 3, Fantasy Tree #8636, center of page.

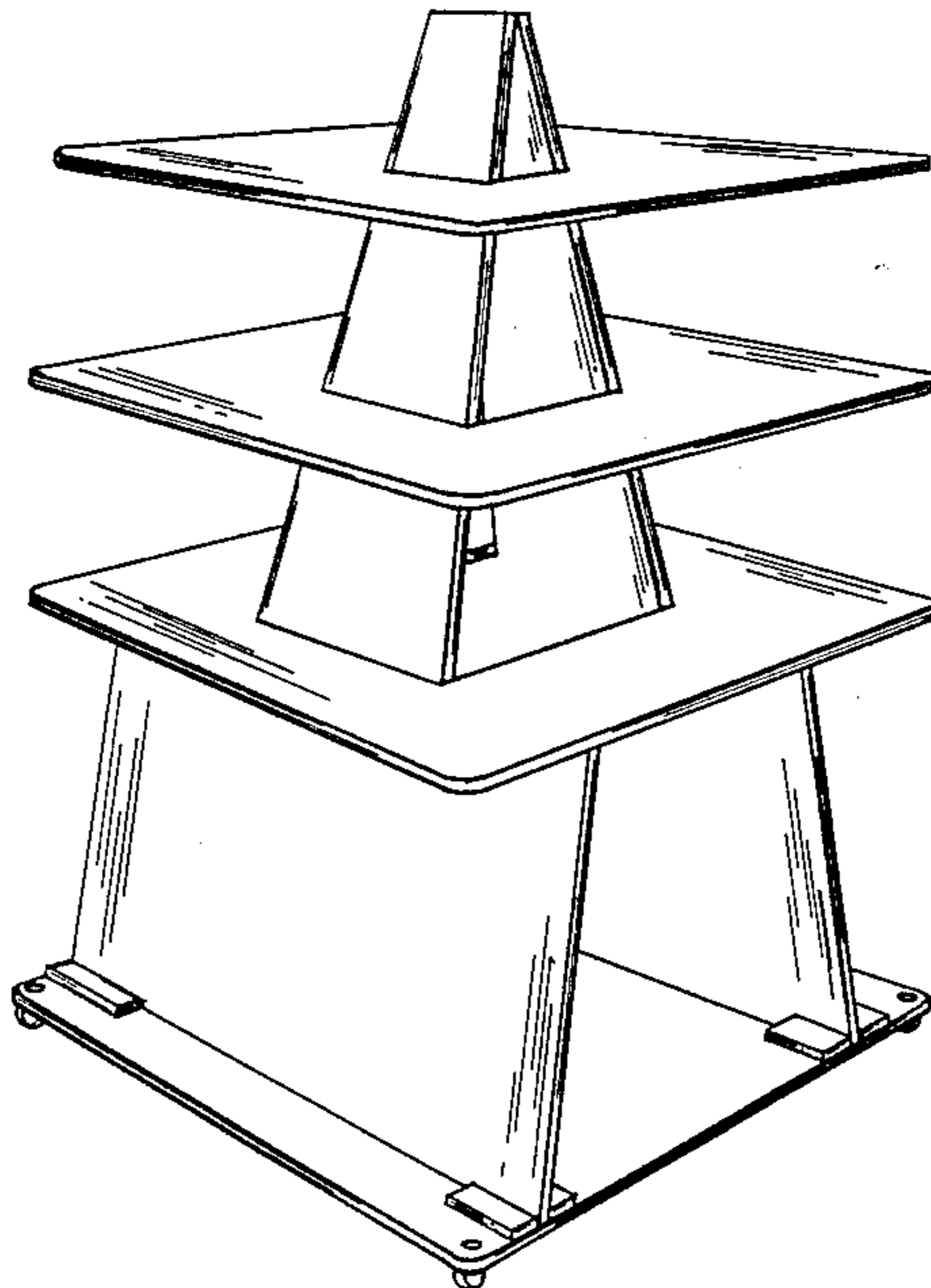
Primary Examiner—Carmen H. Vales
Attorney, Agent, or Firm—Ferrill and Logan

[57] CLAIM

The ornamental design for a display stand, as shown and described.

DESCRIPTION

FIG. 1 is a perspective view of a display stand showing my new design;
FIG. 2 is a front elevational view, the rear being identical thereto; and
FIG. 3 is a side elevational view, the opposite side being identical thereto.



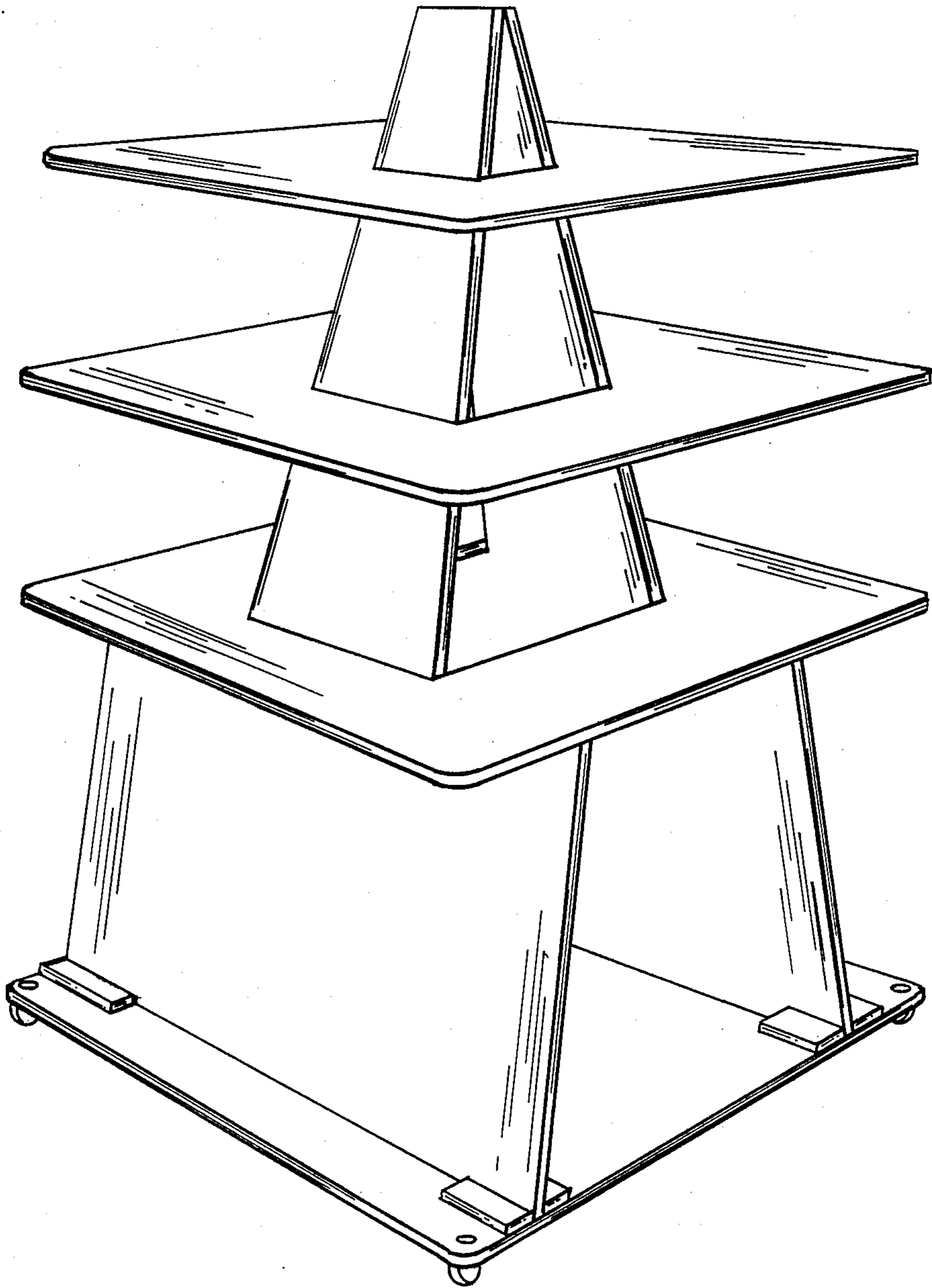


Fig. 1

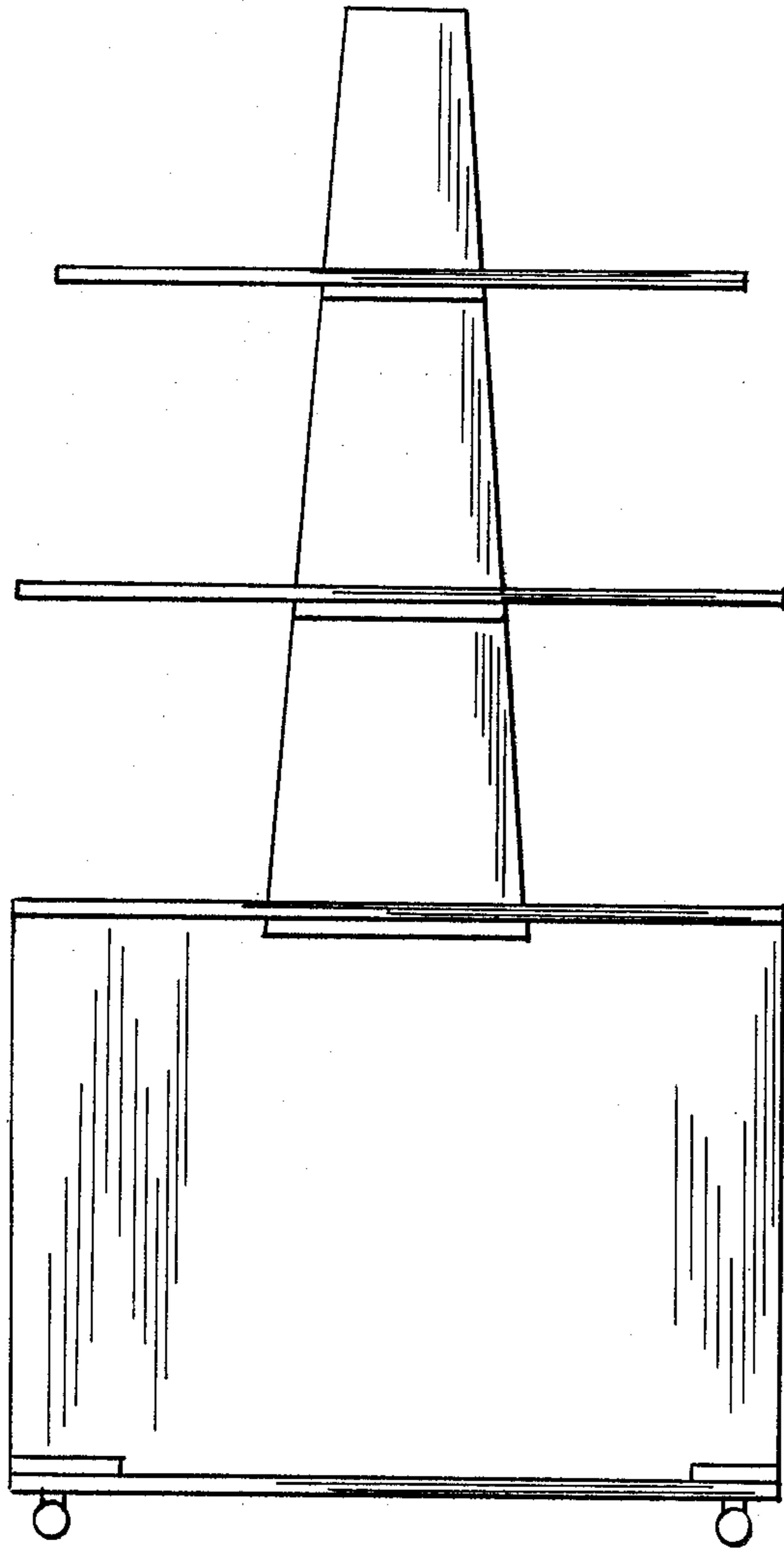


Fig. 3

Fig. 2

