

# United States Patent [19]

Blum et al.

[11] Patent Number: Des. 300,394

[45] Date of Patent: \*\* Mar. 28, 1989

[54] DISPLAY CASE

[75] Inventors: Marvin D. Blum; Robert I. Rubin,  
both of Saint Louis, Mo.

[73] Assignee: American Design Group, Inc., St.  
Louis, Mo.

[\*\*] Term: 14 Years

[21] Appl. No.: 879,615

[22] Filed: Jun. 27, 1986

[52] U.S. Cl. .... D6/471; D6/314

[58] Field of Search ..... D6/310-314,  
D6/470, 471, 566; D3/74, 75; 206/45.31, 45.34,  
493, 566; 312/114

[56] **References Cited**

**U.S. PATENT DOCUMENTS**

D. 46,999	2/1915	Kingman	.....	D6/471
D. 129,136	8/1941	Young	.....	D6/471
D. 164,251	8/1951	Moran	.....	D6/314
D. 176,140	11/1955	Jossem	.....	D6/471 X
D. 244,656	6/1977	Lawson	.....	D6/471
D. 259,006	4/1981	Housman	.....	D6/471

D. 291,849	9/1987	Yates	.....	D6/471
1,255,407	2/1918	Goetz	.....	312/114 X
4,320,829	3/1982	DiMarzio et al.	.....	206/566 X

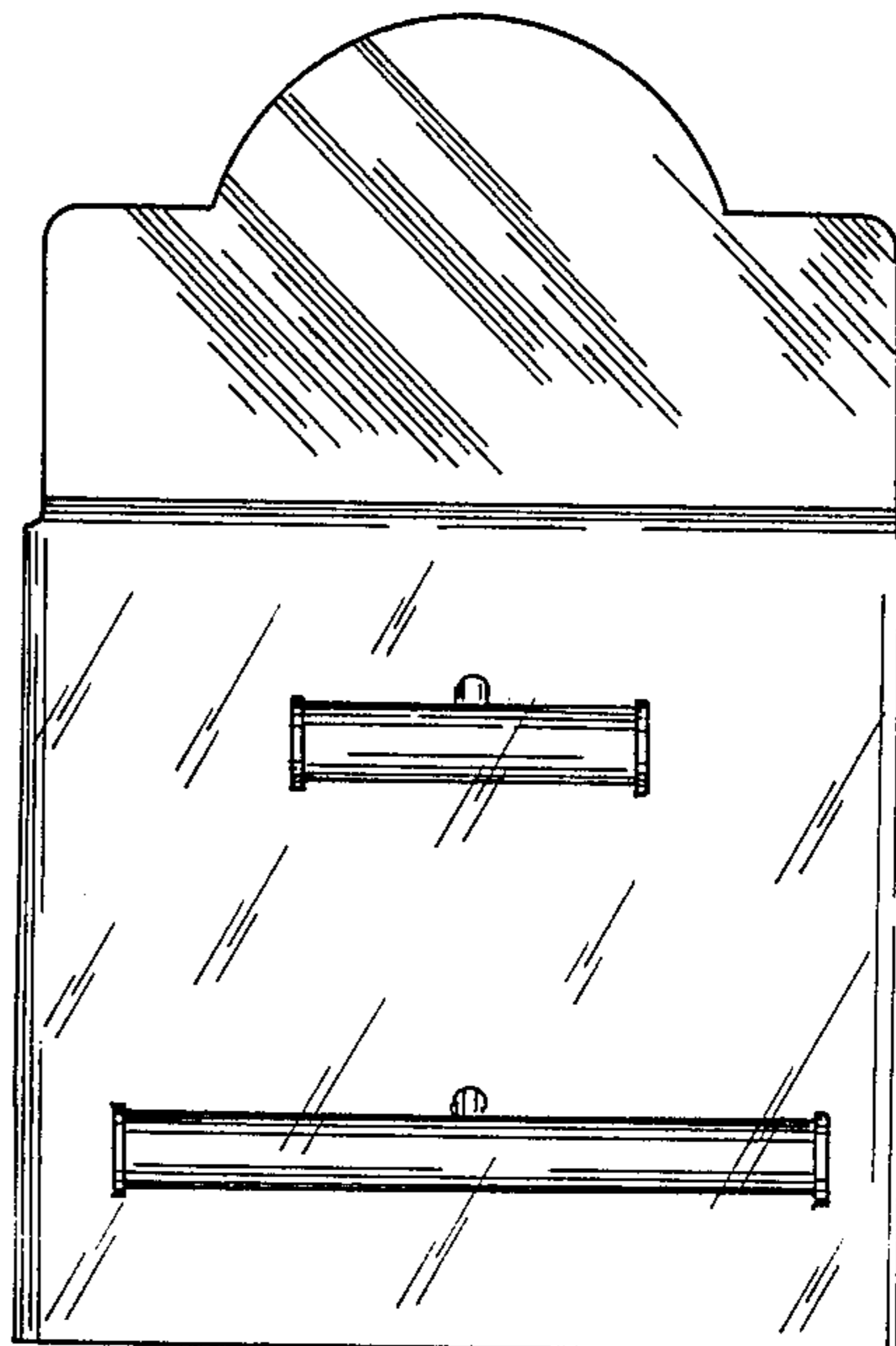
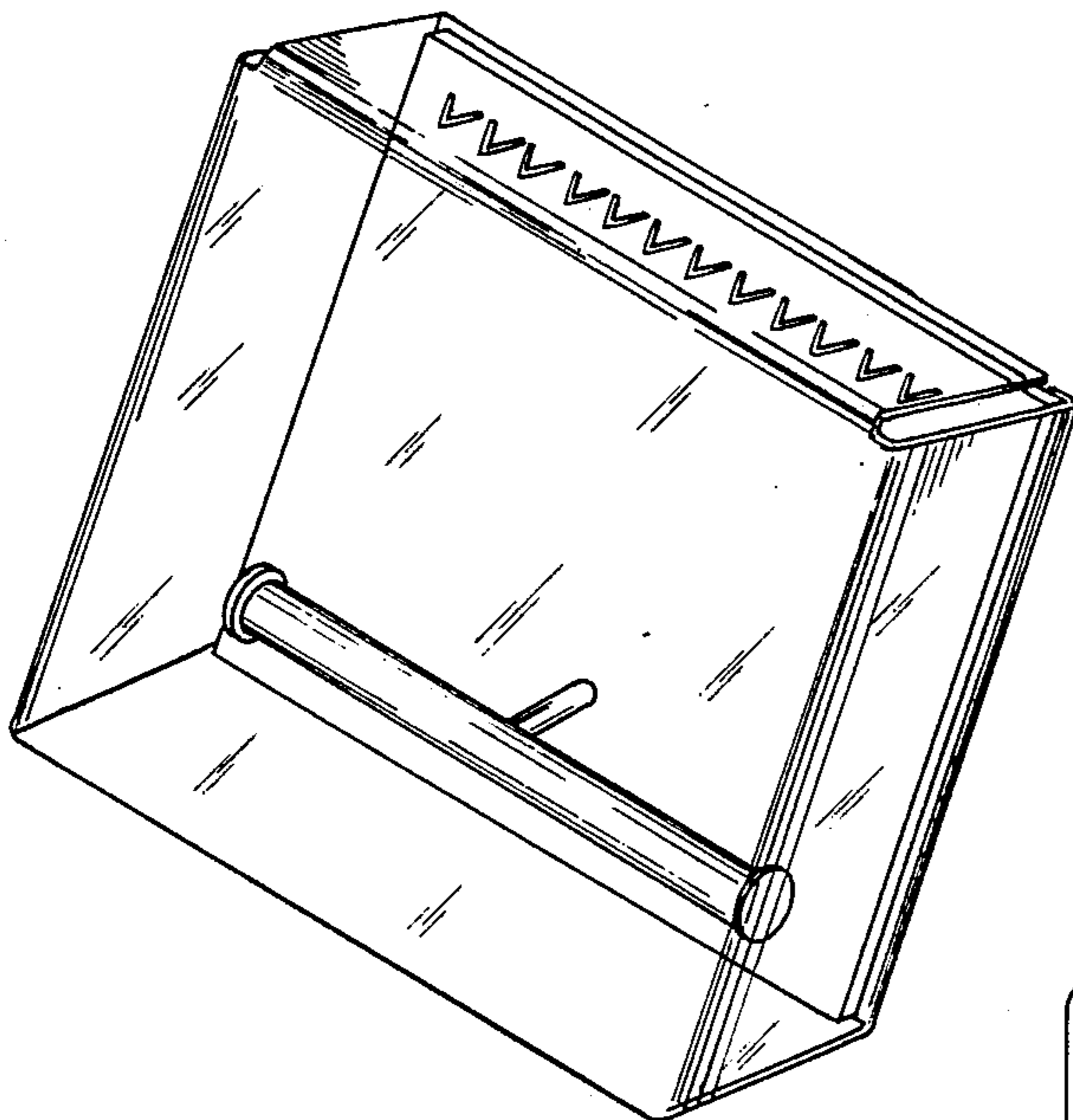
*Primary Examiner*—Carmen H. Vales  
*Attorney, Agent, or Firm*—Paul M. Denk

[57] **CLAIM**

The ornamental design for a display case, as shown and described.

**DESCRIPTION**

FIG. 1 is a perspective view of a display case showing our new design;  
FIG. 2 is a top plan view thereof;  
FIG. 3 is a front elevational view thereof;  
FIG. 4 is a rear elevational view thereof;  
FIG. 5 is a left side elevational view as seen on display the right side being a mirror image thereof;  
FIG. 6 is a bottom plan view thereof;  
FIG. 7 is a front elevational view of a modified form of the display case shown in FIG. 1;  
FIG. 8 is a front elevational view of a modified form of the display case shown in FIG. 1; and  
FIG. 9 is a left side elevational view as seen on display, the right side being a mirror image thereof.



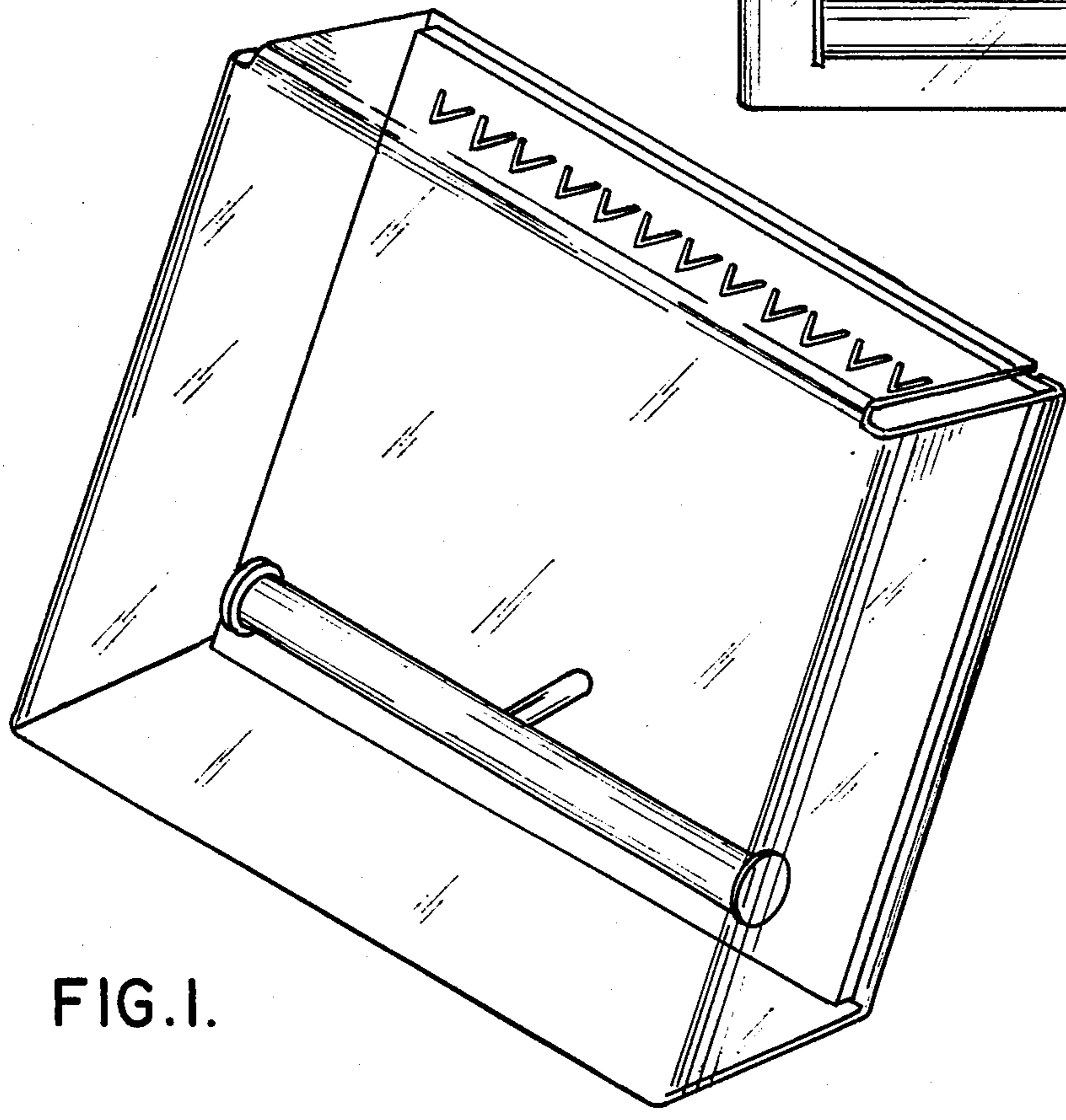


FIG. 1.

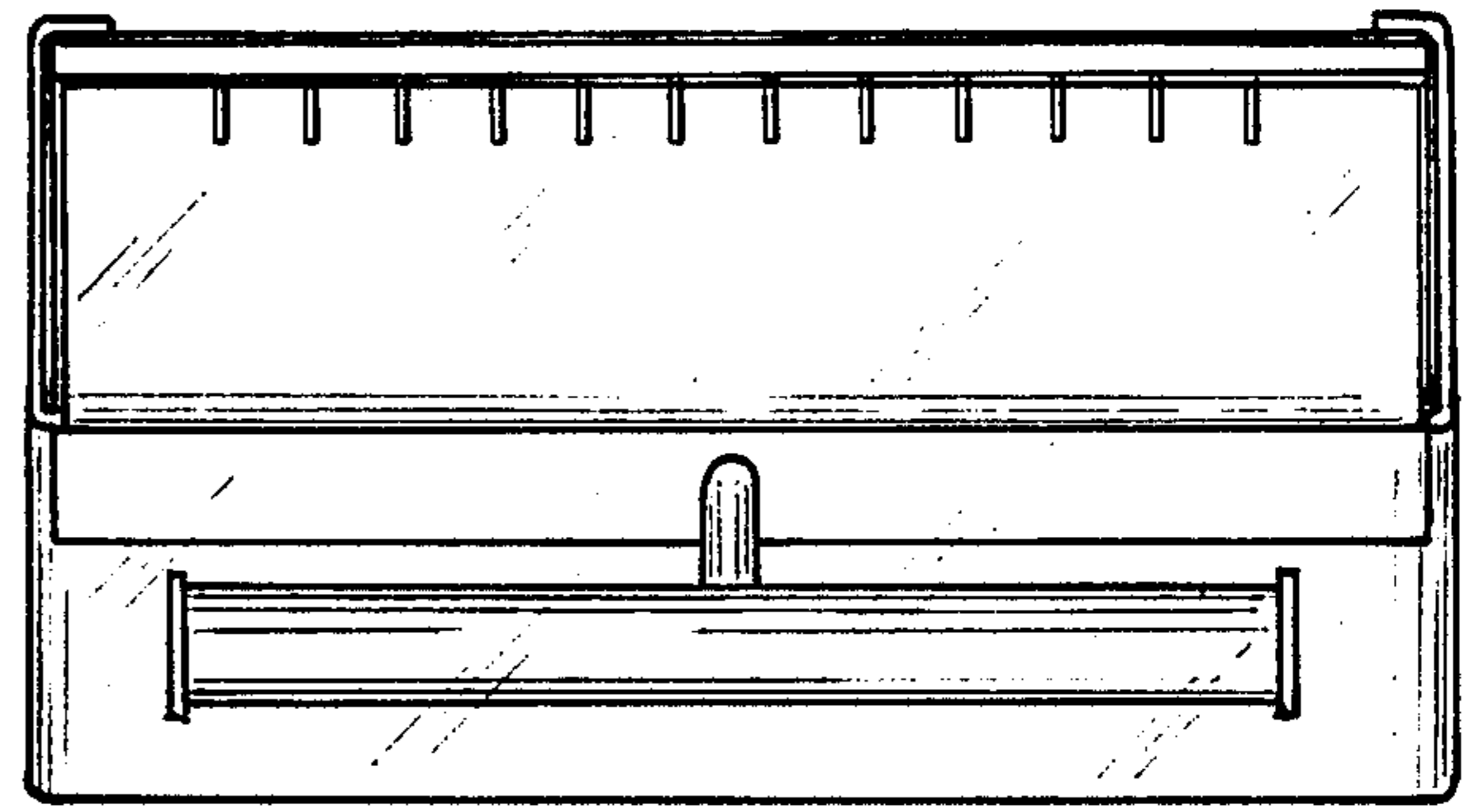


FIG. 2.

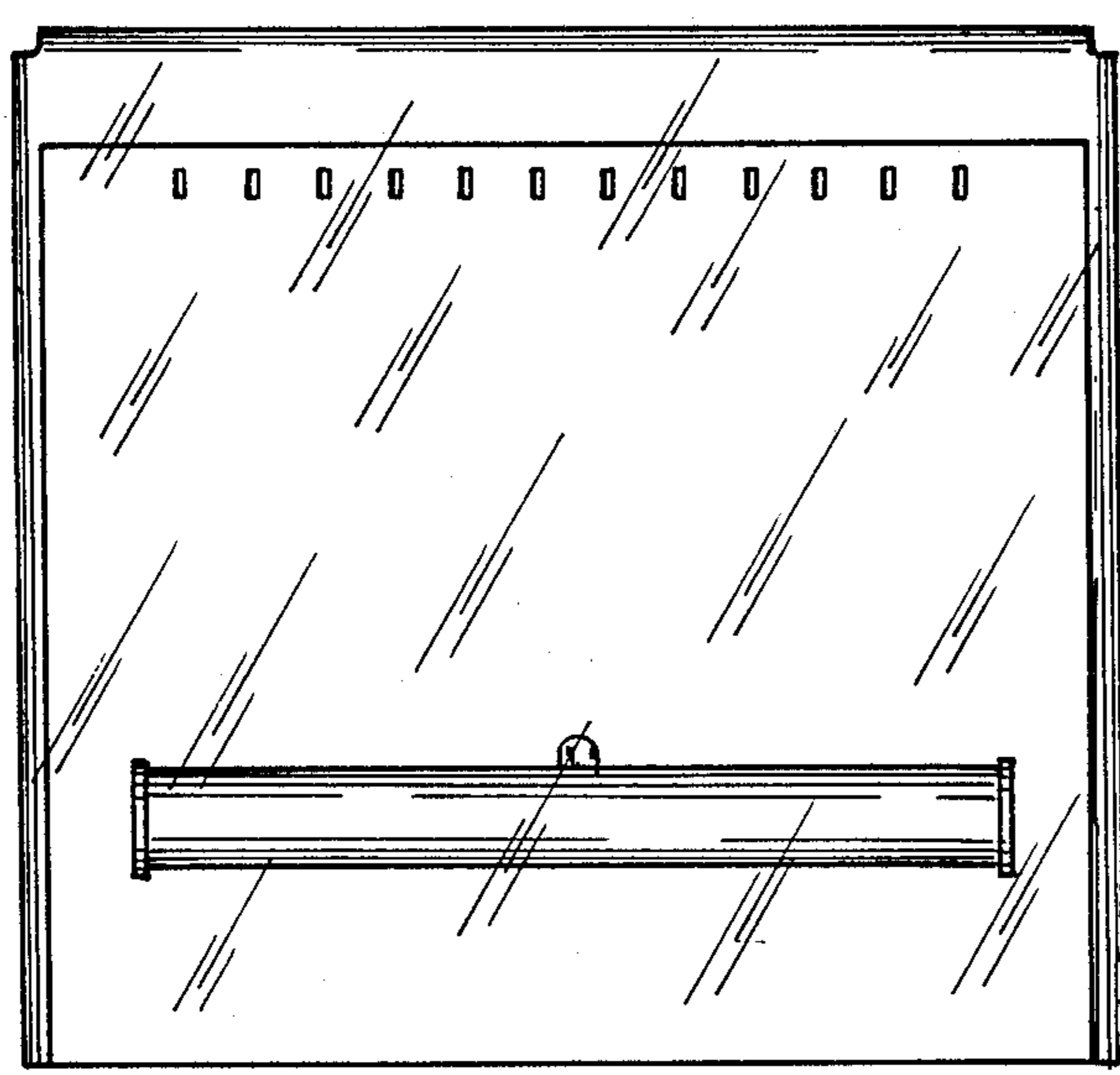


FIG. 3.

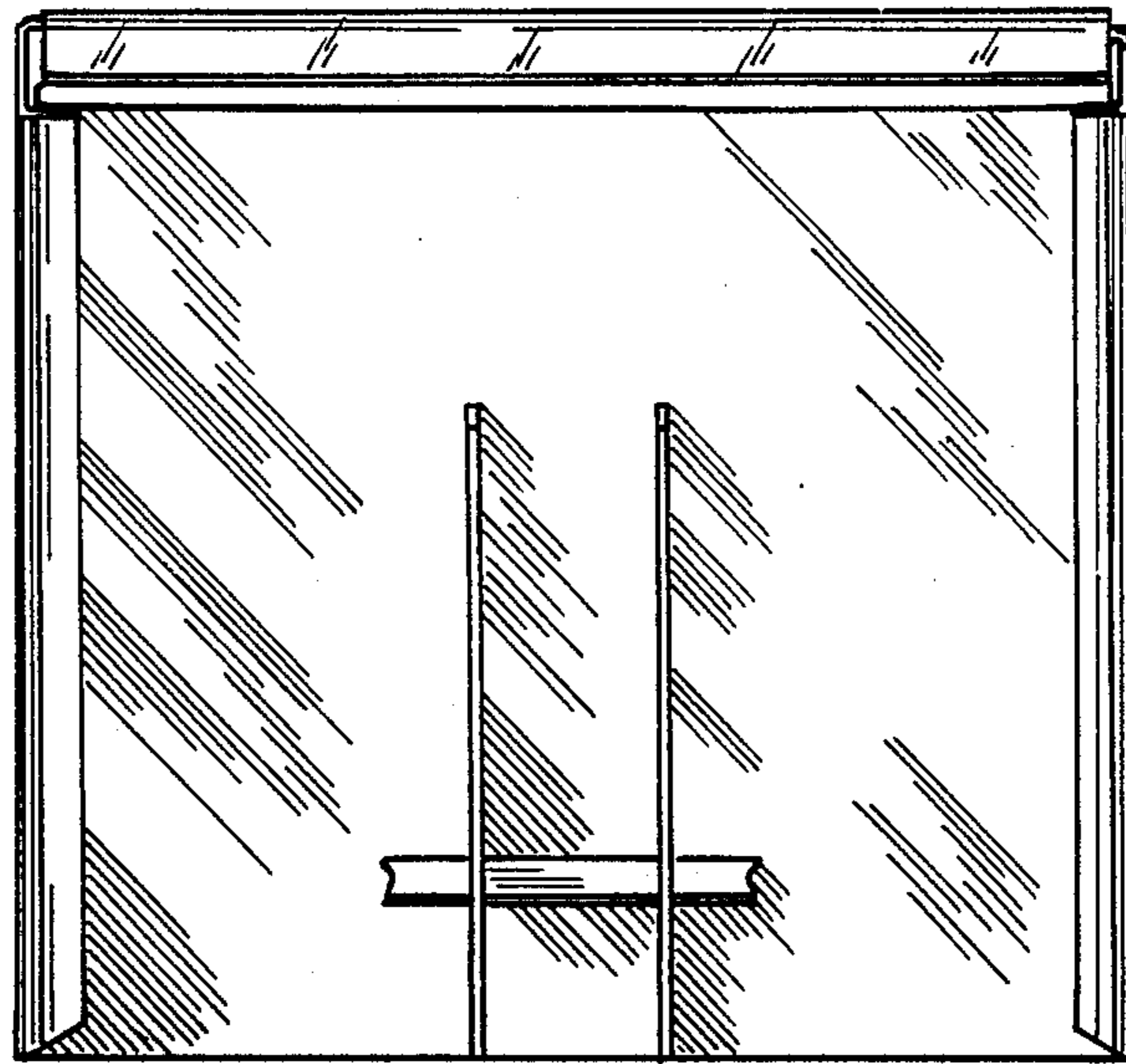


FIG. 4.

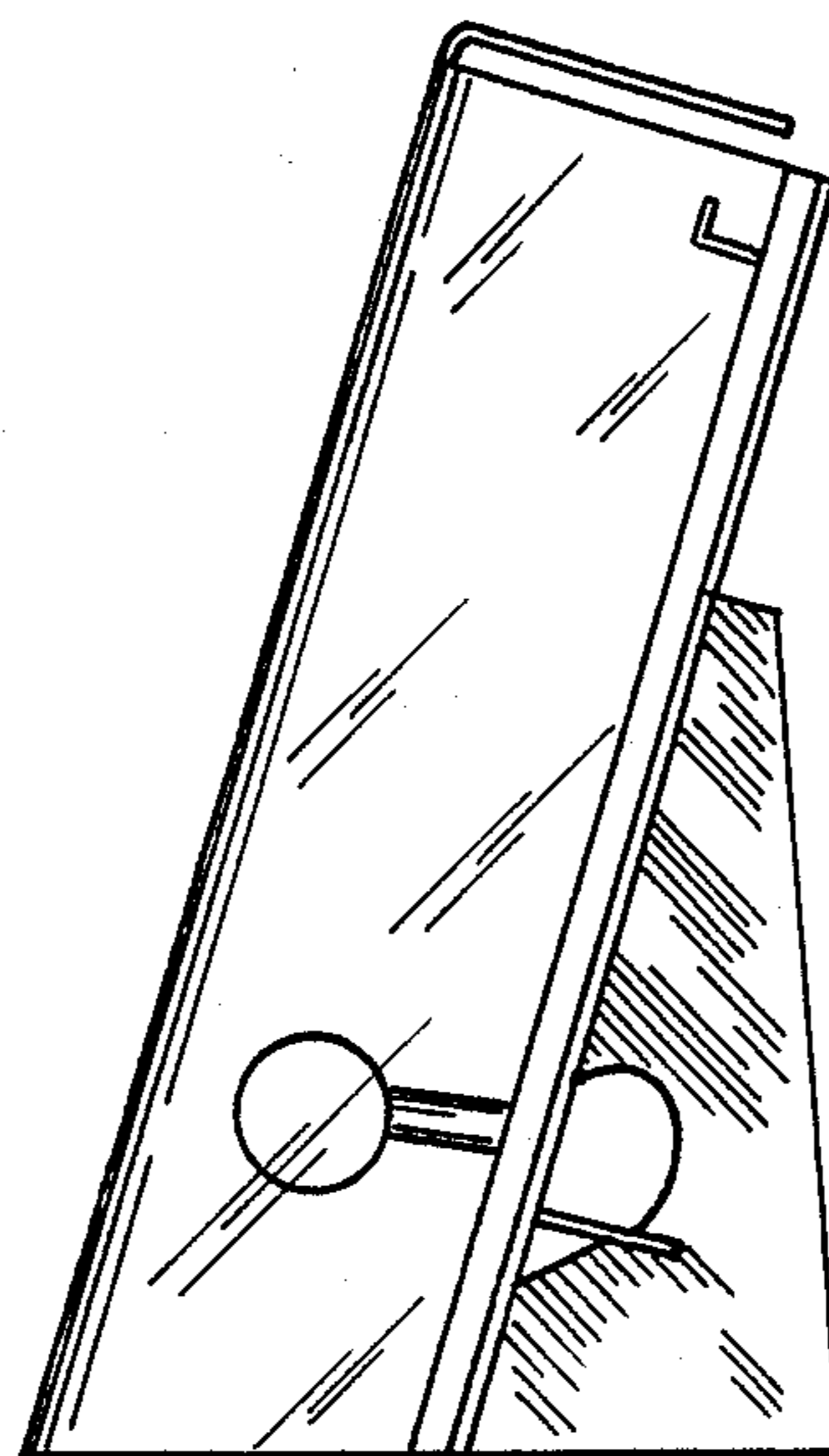


FIG. 5.

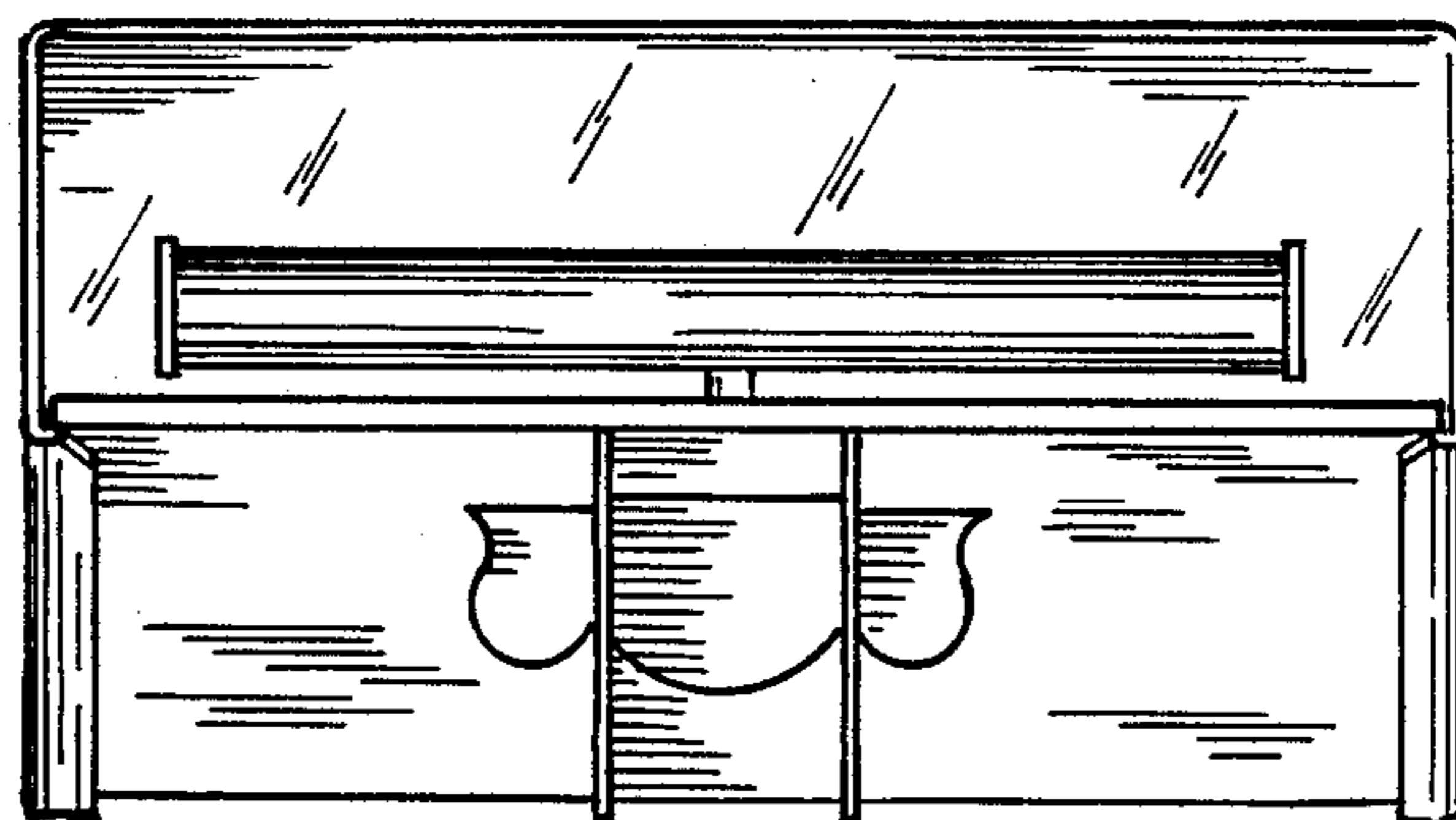


FIG. 6.

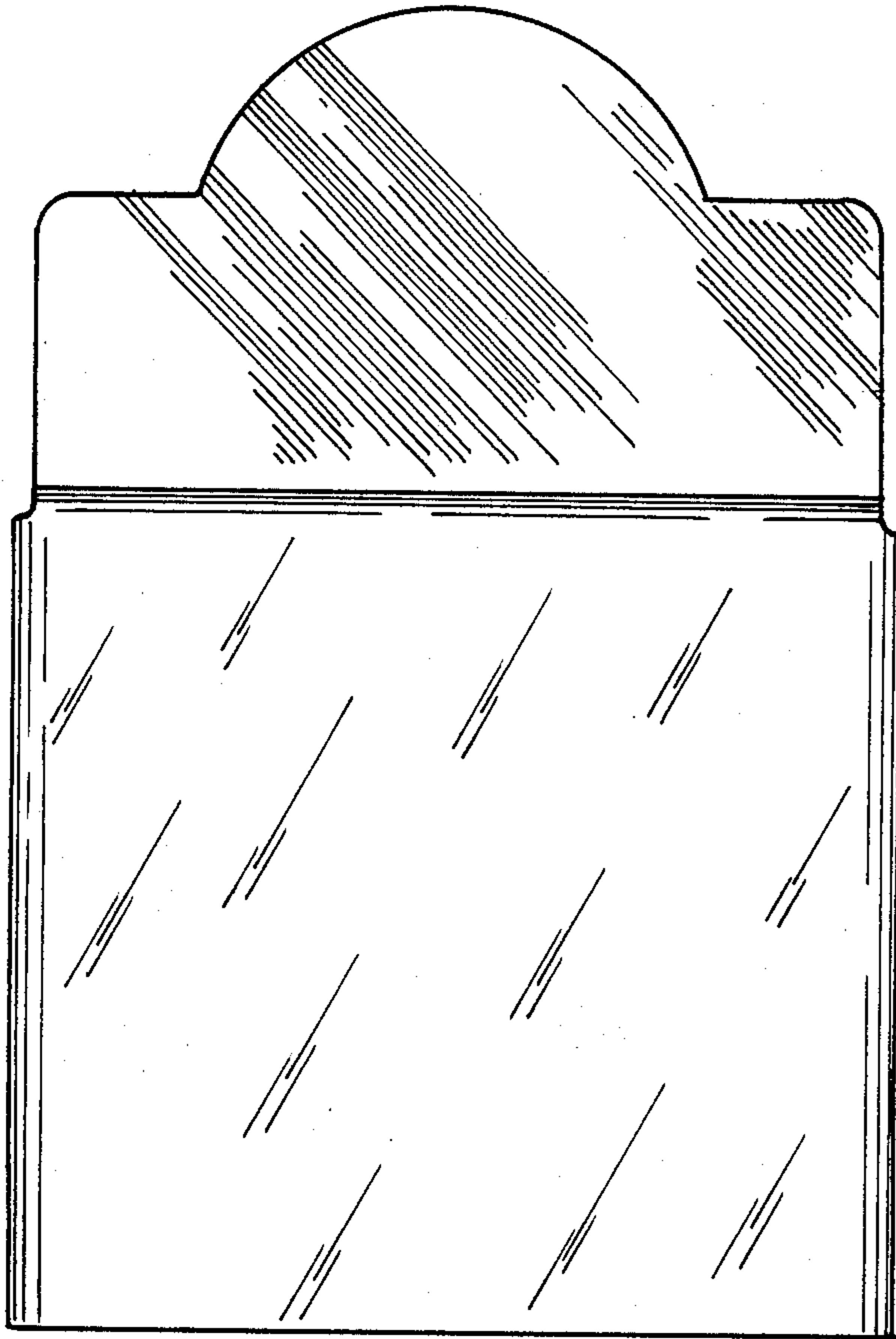


FIG. 7.

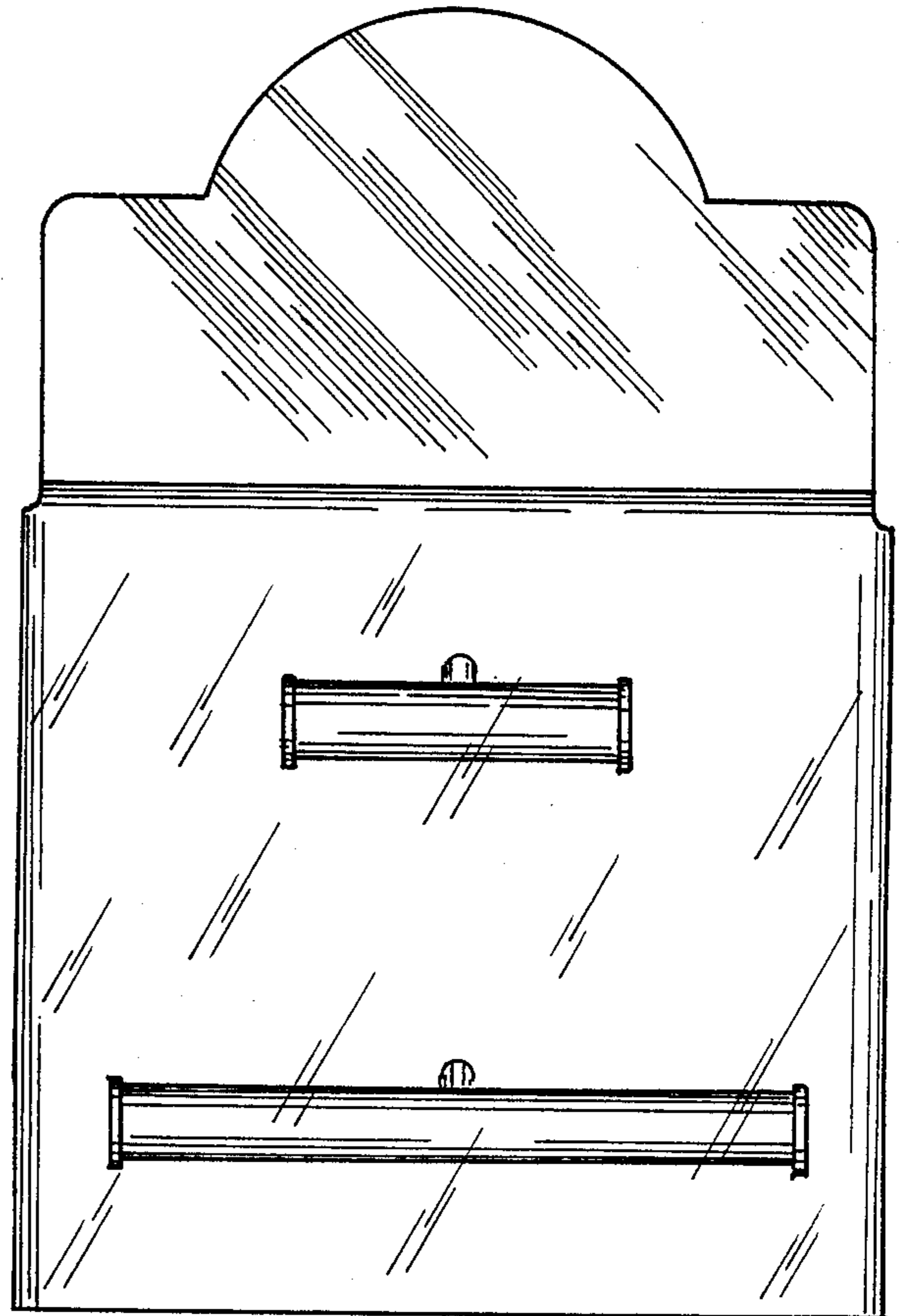


FIG. 8.

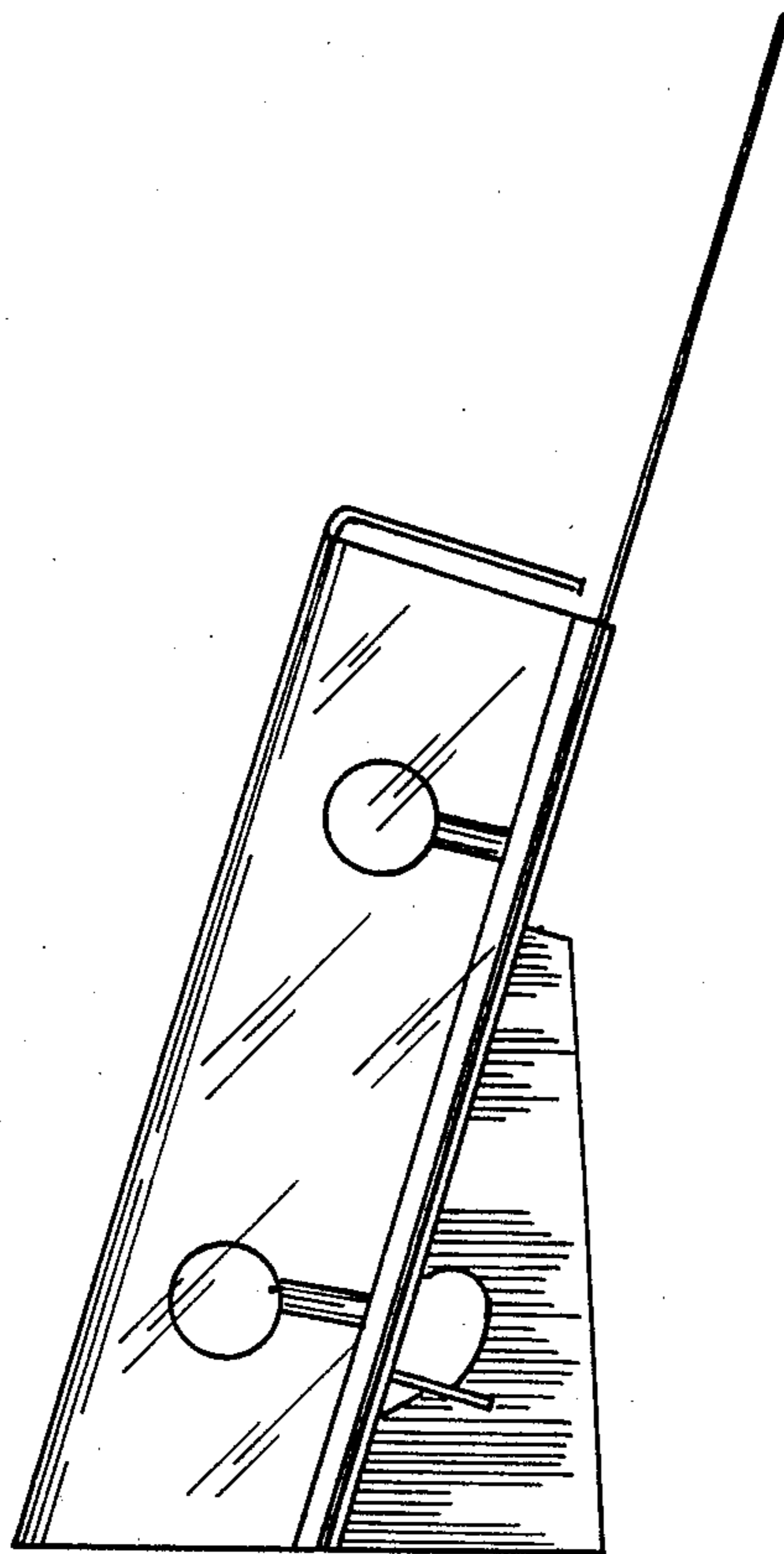


FIG. 9.