

# United States Patent [19]

Sapper

[11] Patent Number: Des. 300,392

[45] Date of Patent: \*\* Mar. 28, 1989

[54] COMBINED DESK AND SIDE EXTENSION UNIT

[75] Inventor: Richard Sapper, Stoccarda, Fed. Rep. of Germany

[73] Assignee: International System Developments Trust Reg, Liechtenstein

[\*\*] Term: 14 Years

[21] Appl. No.: 825,130

[22] Filed: Nov. 21, 1985

[30] Foreign Application Priority Data

May 23, 1985 [CH] Switzerland ..... 114491  
[52] U.S. Cl. .... D6/426; D6/427  
[58] Field of Search ..... D6/422, 423, 425-428; 312/194-196; 108/1, 5, 6

[56] References Cited

U.S. PATENT DOCUMENTS

D. 169,375 4/1953 Knoll ..... D6/426  
D. 208,412 8/1967 Bonk et al. .... D6/426 X  
D. 219,279 11/1970 Beavers ..... D6/427  
D. 236,057 7/1975 Ball ..... D6/426  
2,928,703 3/1960 Paulsen ..... 312/194 X  
4,555,150 11/1985 Turnball ..... 312/195 X

Primary Examiner—Carmen H. Vales  
Attorney, Agent, or Firm—Sughrue, Mion, Zinn, Macpeak & Seas

[57] CLAIM

The ornamental design for a combined desk and side extension unit, as shown.

DESCRIPTION

FIG. 1 is a front elevational view of a combined desk and side extension unit showing my new design; FIG. 2 is a top plan view thereof; FIG. 3 is a left side elevational view thereof; FIG. 4 is a perspective view thereof; FIG. 5 is a rear elevational view thereof; and FIG. 6 is a right side elevational view thereof.

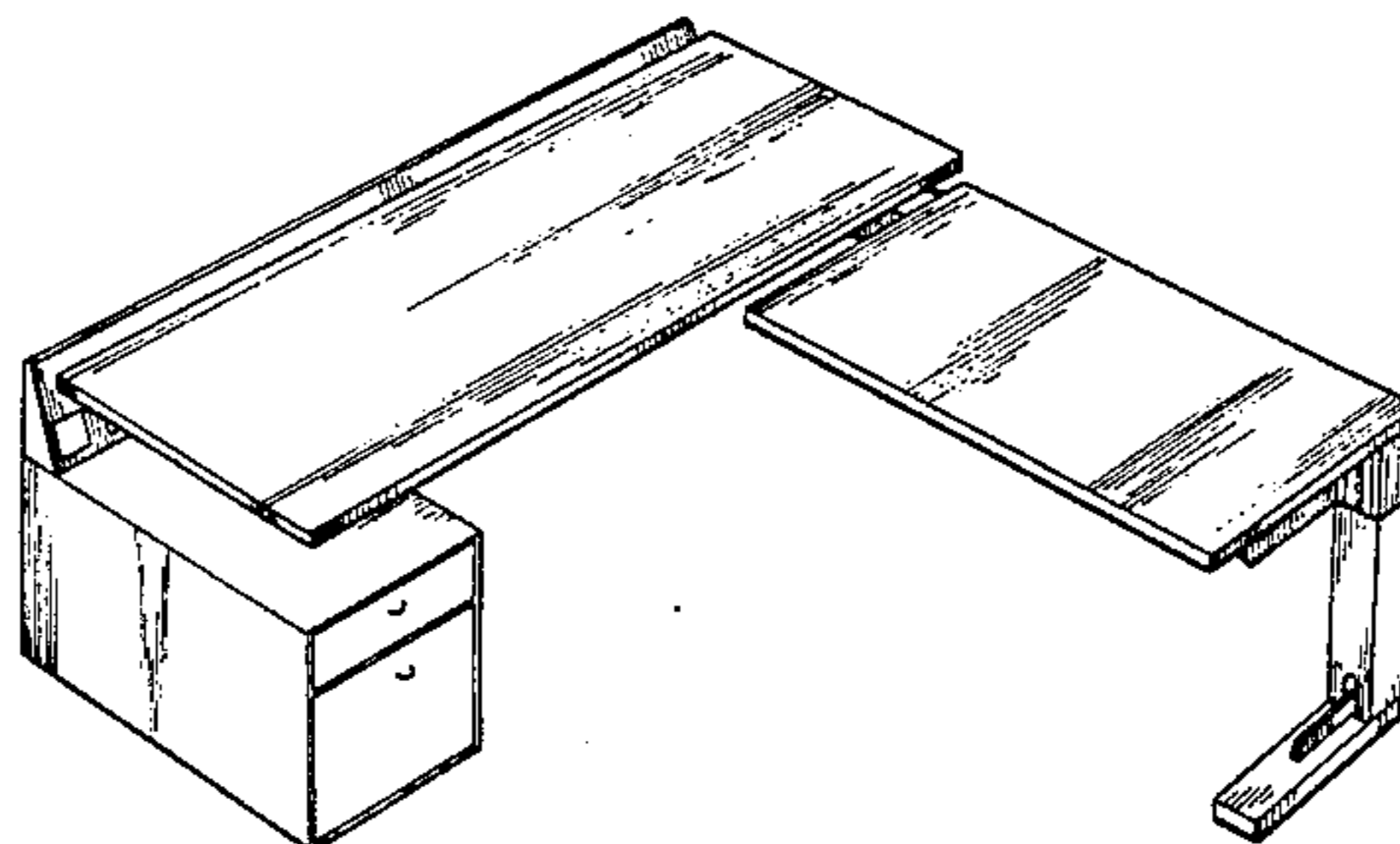
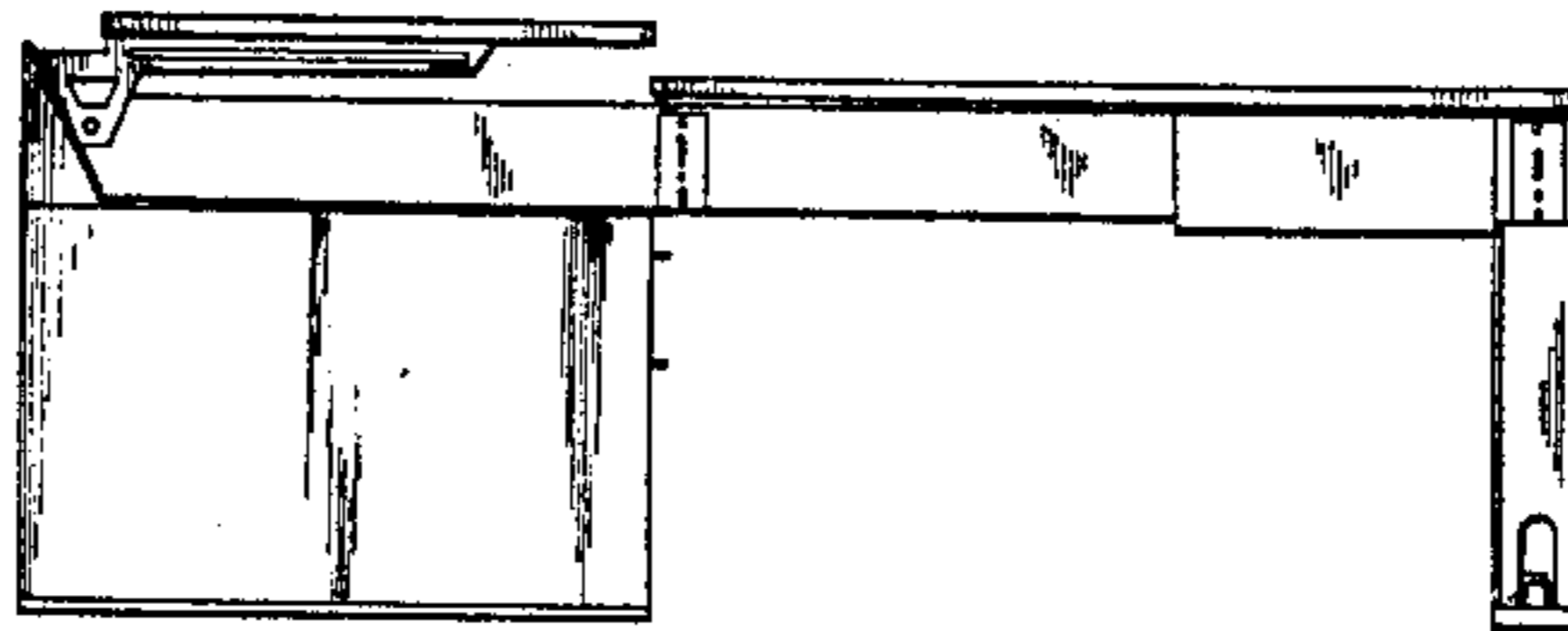


FIG. 1

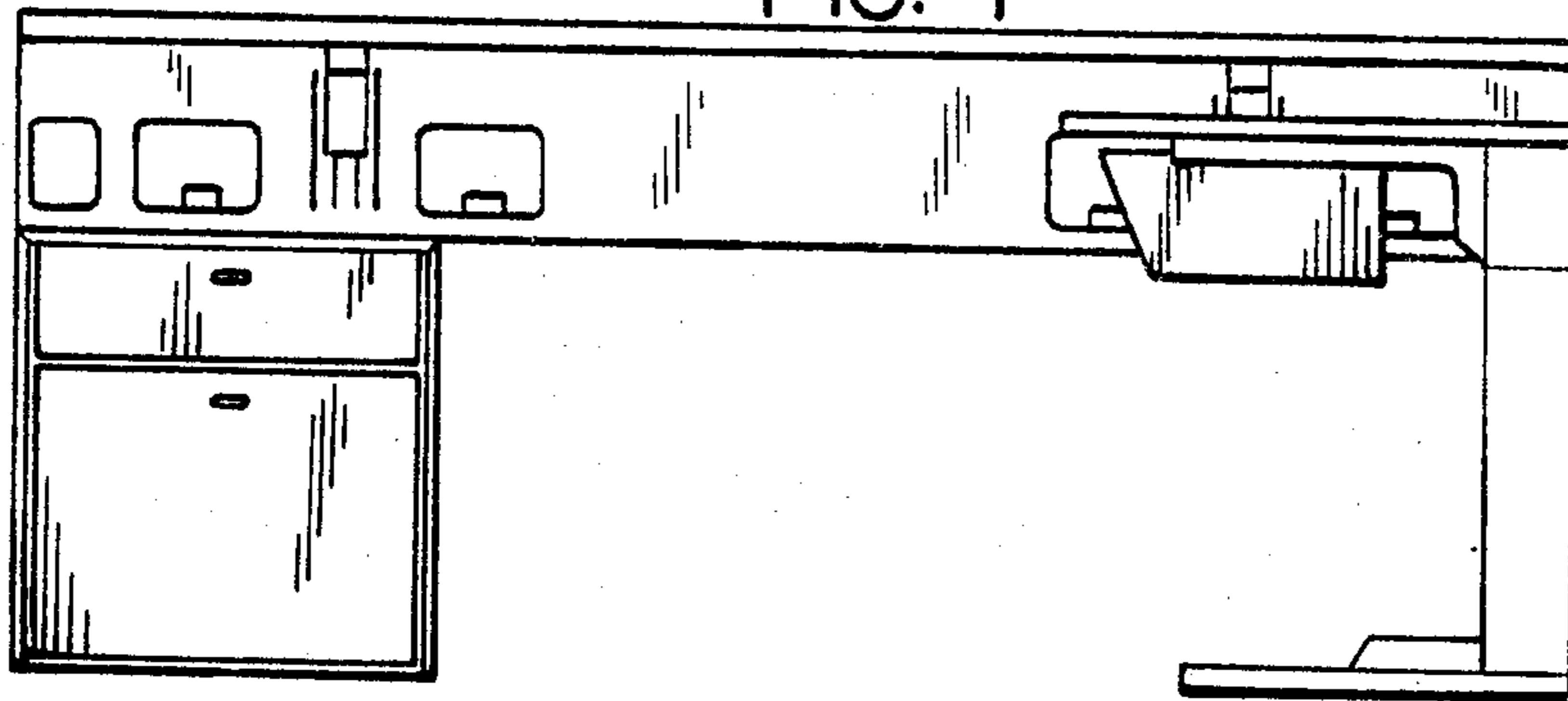


FIG. 2

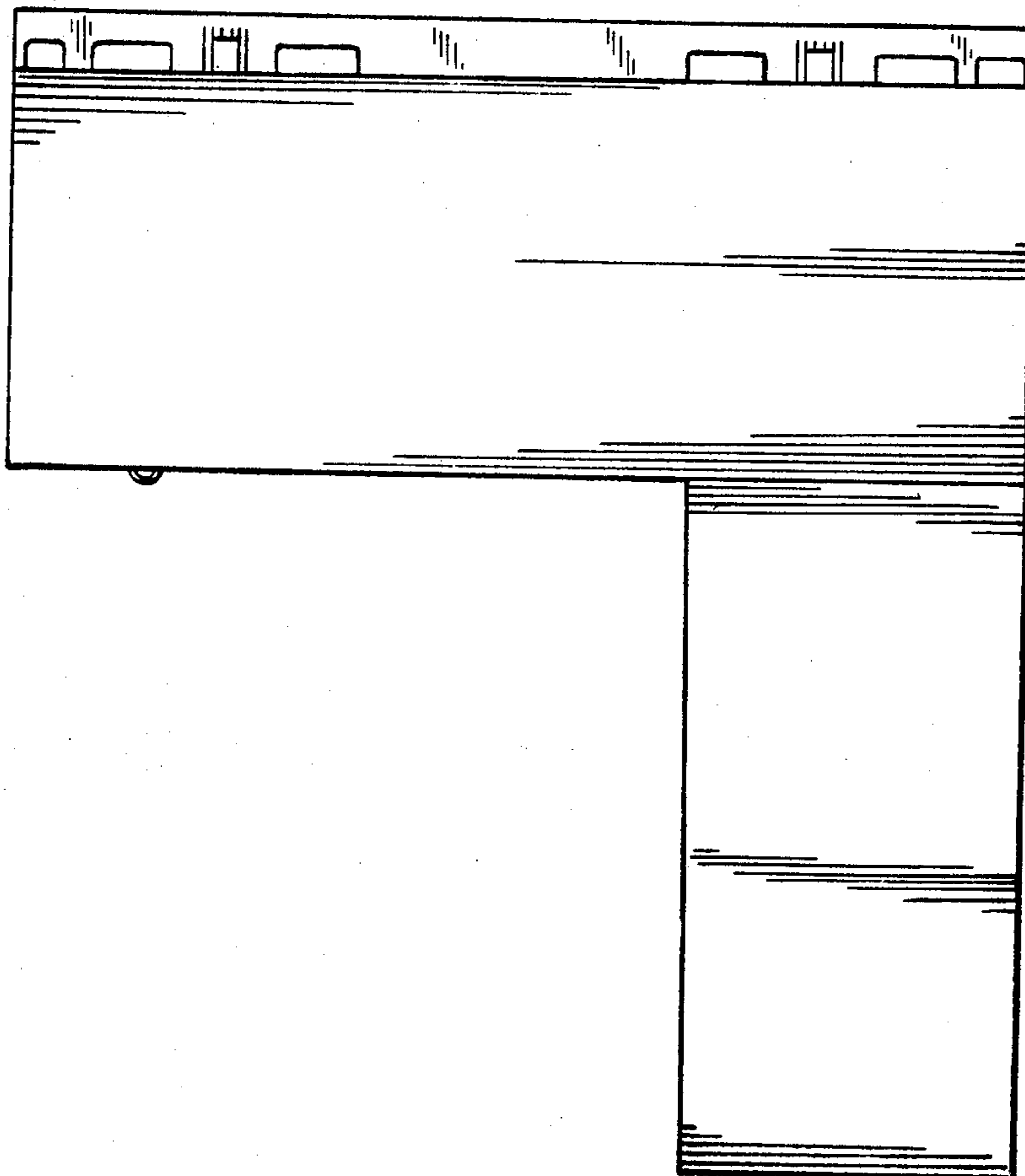


FIG. 3

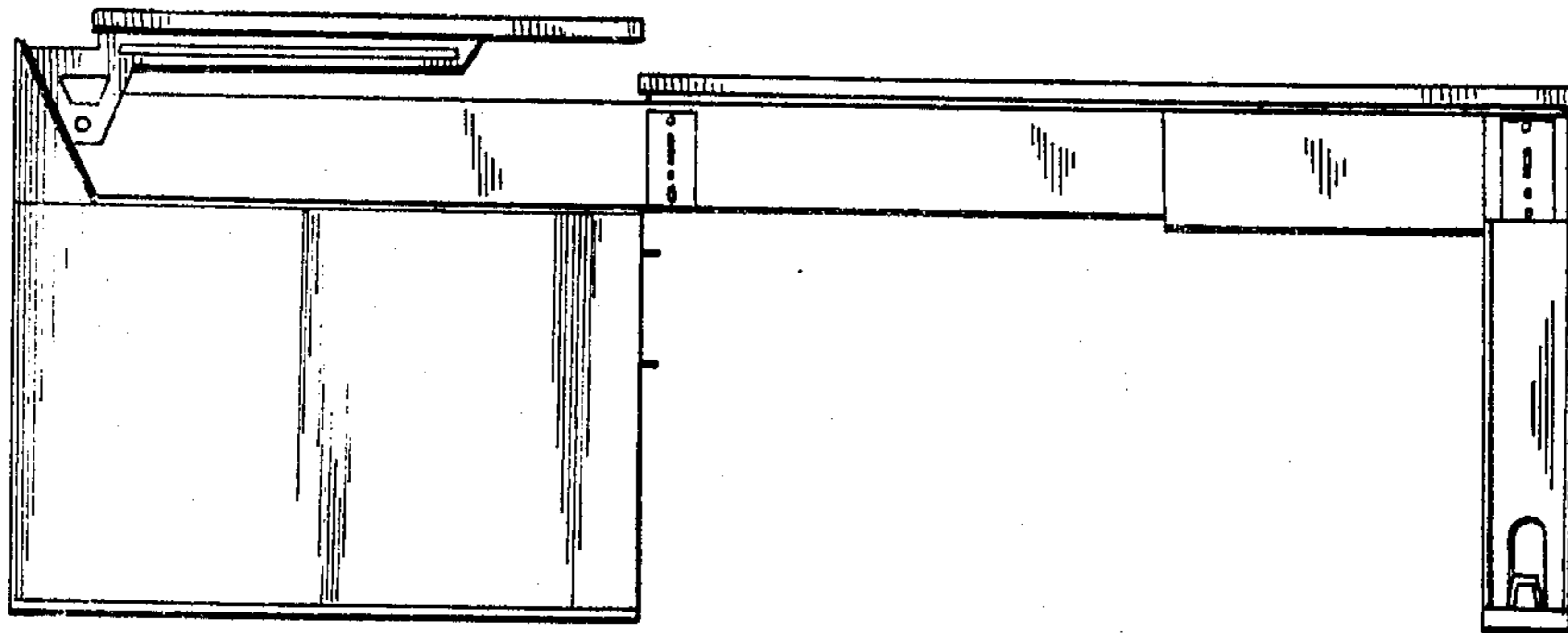


FIG. 4

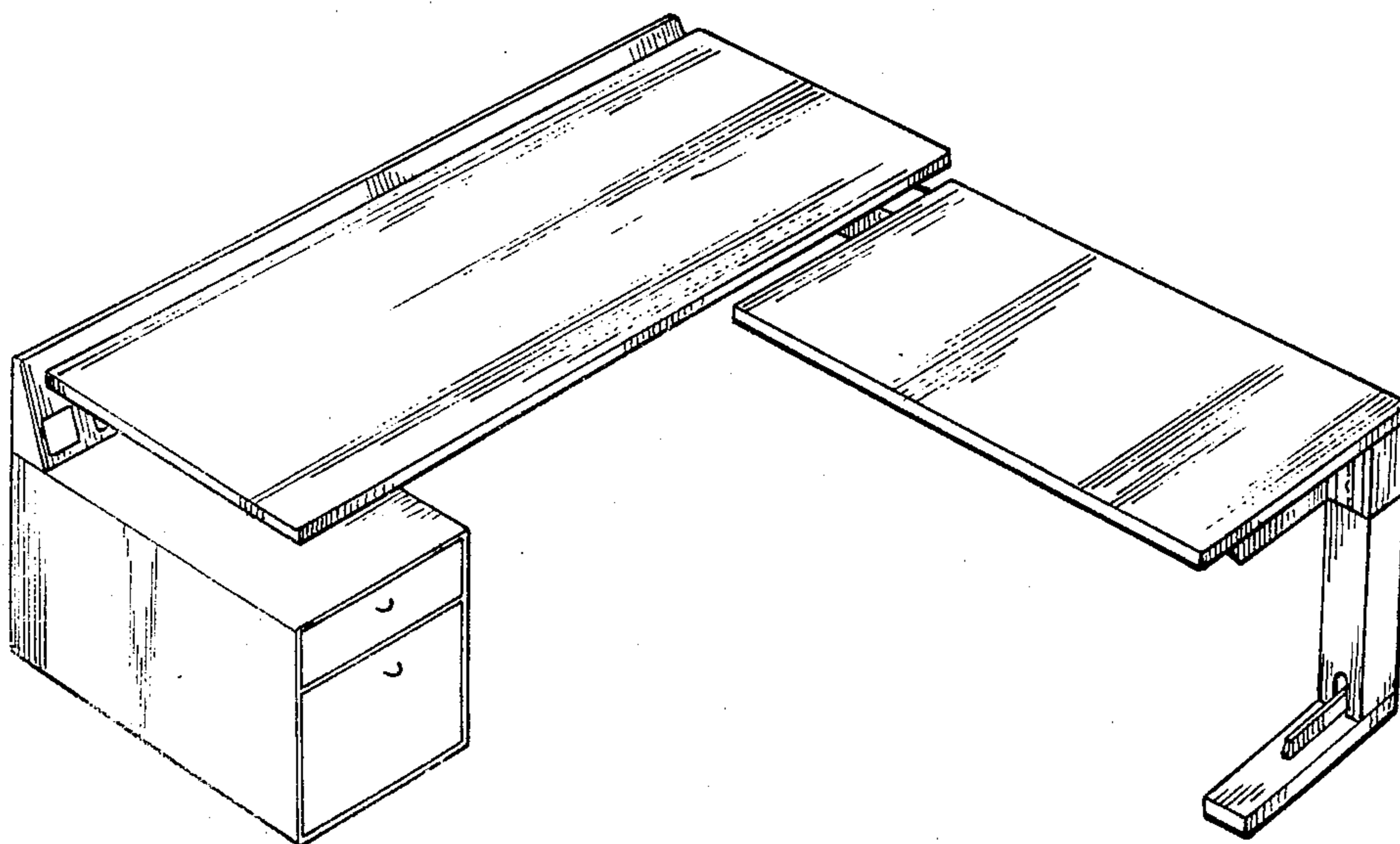


FIG. 5

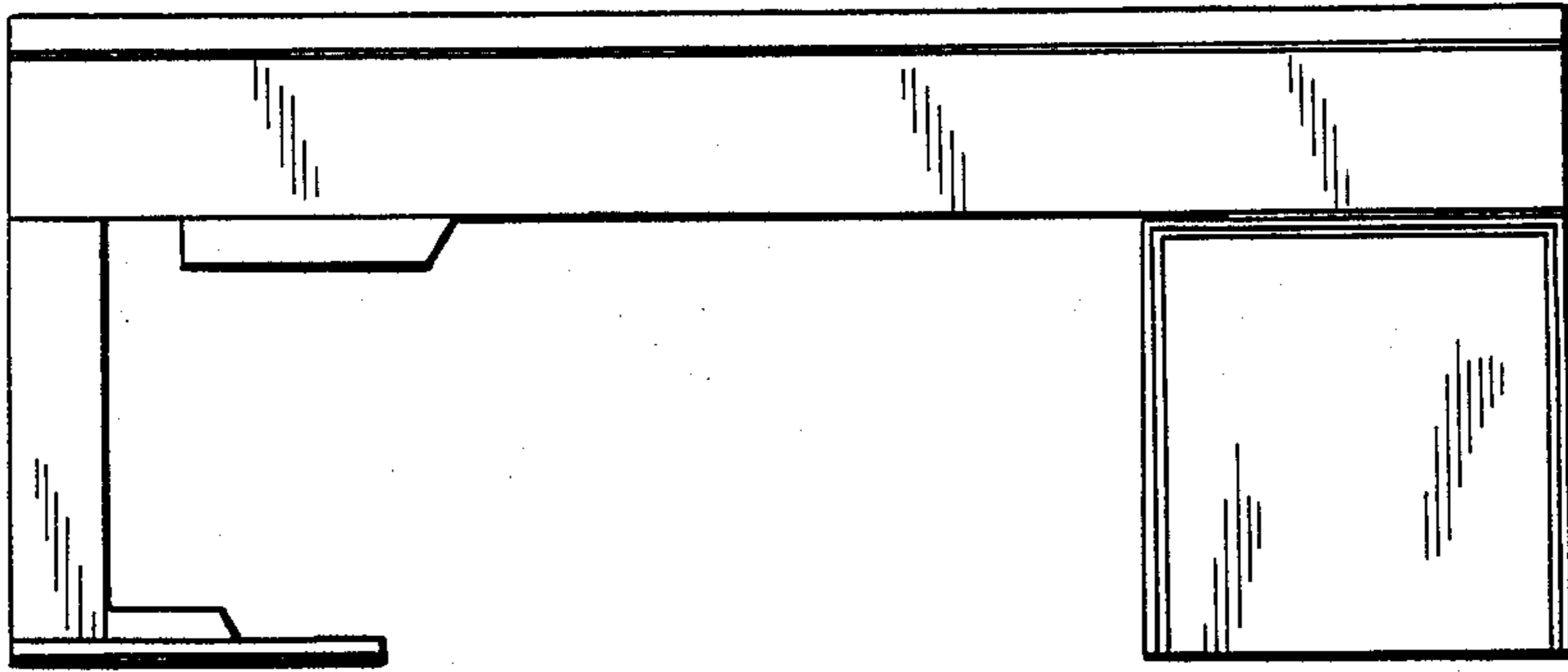


FIG. 6

