

[54] STREET-LAMP

[75] Inventors: Nicolas O'Dohanue, Montreal; Francois Lecuyer, Laval, both of Canada

[73] Assignee: Lumec, Inc., Boisbriand, Canada

[\*\*] Term: 14 Years

[21] Appl. No.: 1,557

[22] Filed: Jan. 8, 1987

[30] Foreign Application Priority Data

Aug. 19, 1986 [CA] Canada ..... 19-08-86-13

[52] U.S. Cl. .... D26/67; D26/85

[58] Field of Search ..... D26/72-92, D26/67, 68, 71; 362/362, 363, 404-408, 431, 376, 377, 378

[56] References Cited

U.S. PATENT DOCUMENTS

- D. 48,862 4/1916 Hill ..... D26/71
- D. 263,340 3/1982 Budnovitch et al. .... D26/67
- 791,355 5/1905 Momand ..... 362/363
- 2,749,433 6/1956 Appleton ..... D26/67 X

OTHER PUBLICATIONS

Light & Lighting (England), 2-1954, p. VI, Heyes, Flameproof Lighting Fitting (bottom, left).

Light & Lighting (England), 6-1961, p. XI, Weather-proof Lighting Fitting.

Primary Examiner—Susan J. Lucas

Attorney, Agent, or Firm—Robic, Robic & Associates

[57] CLAIM

The ornamental design for a street-lamp, as shown and described.

DESCRIPTION

FIG. 1 is a perspective view of a street-lamp showing our new design;

FIG. 2 is a front elevational view thereof, the rear elevational view being substantially identical;

FIG. 3 is a bottom plan view thereof;

FIG. 4 is a top plan view thereof;

FIG. 5 is a side elevational view thereof, the other side being substantially identical; and

FIG. 6 is a side elevational view of the street-lamp with a supporting post shown in broken lines for purposes of illustration.

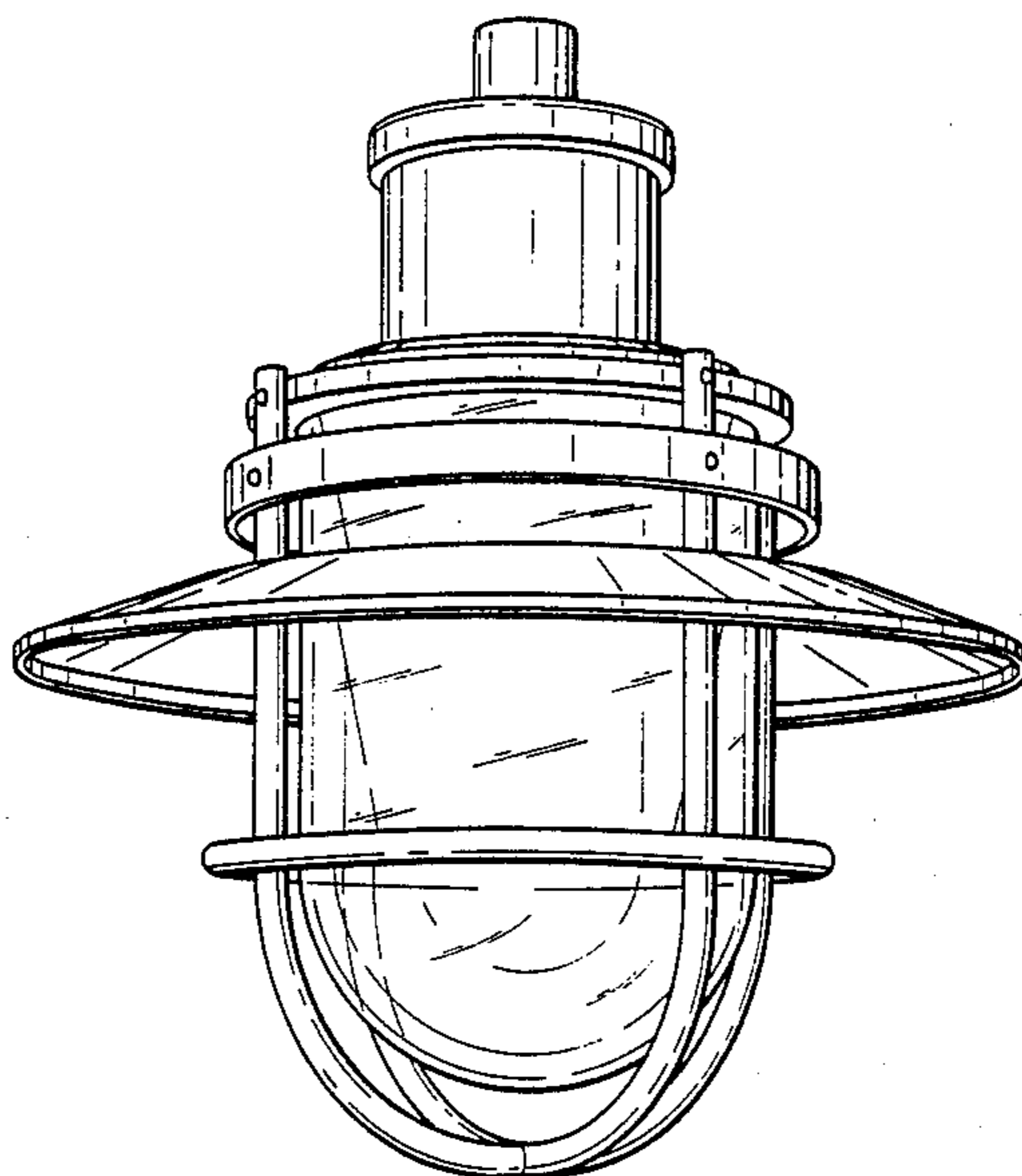
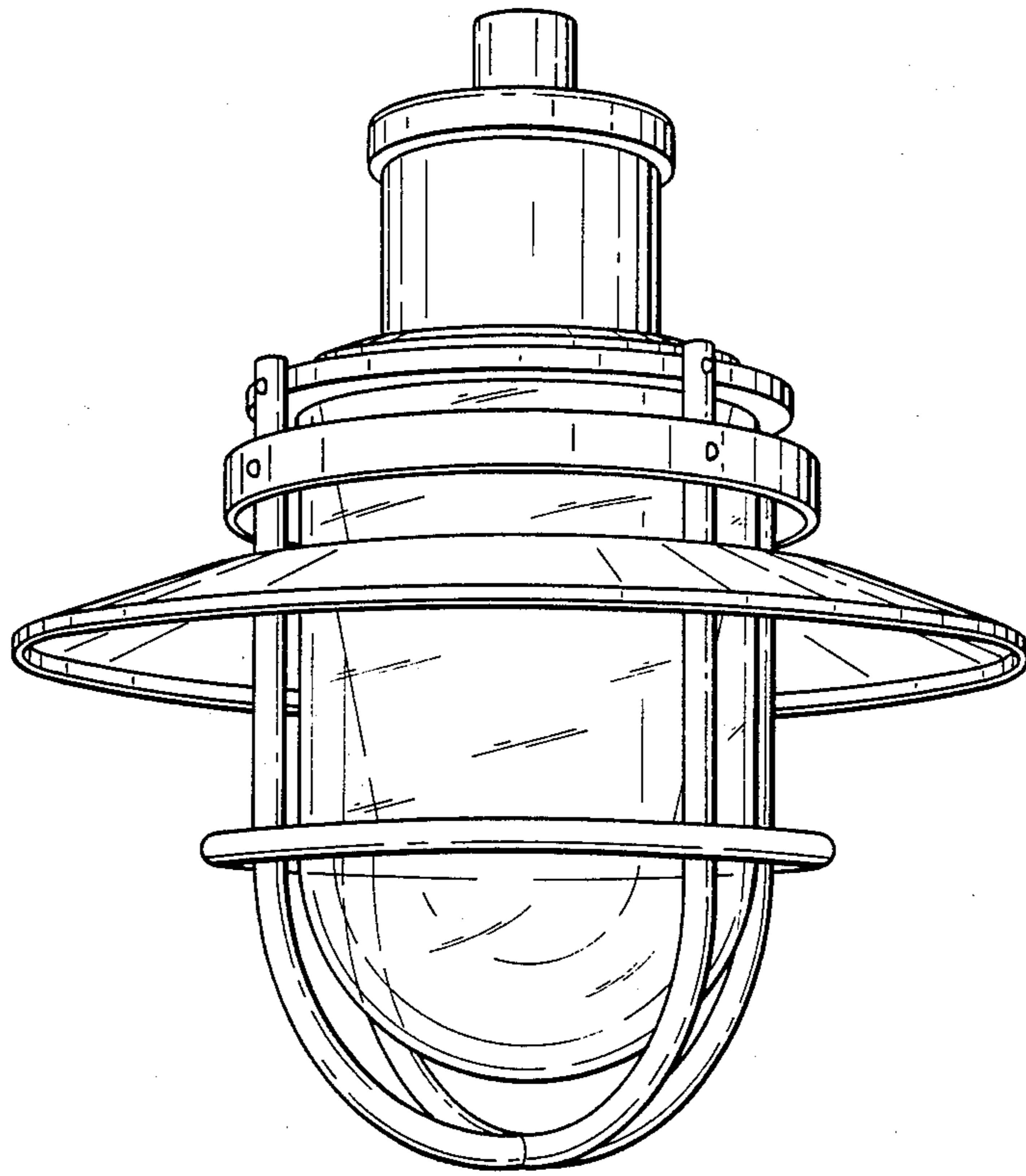


FIG. 1



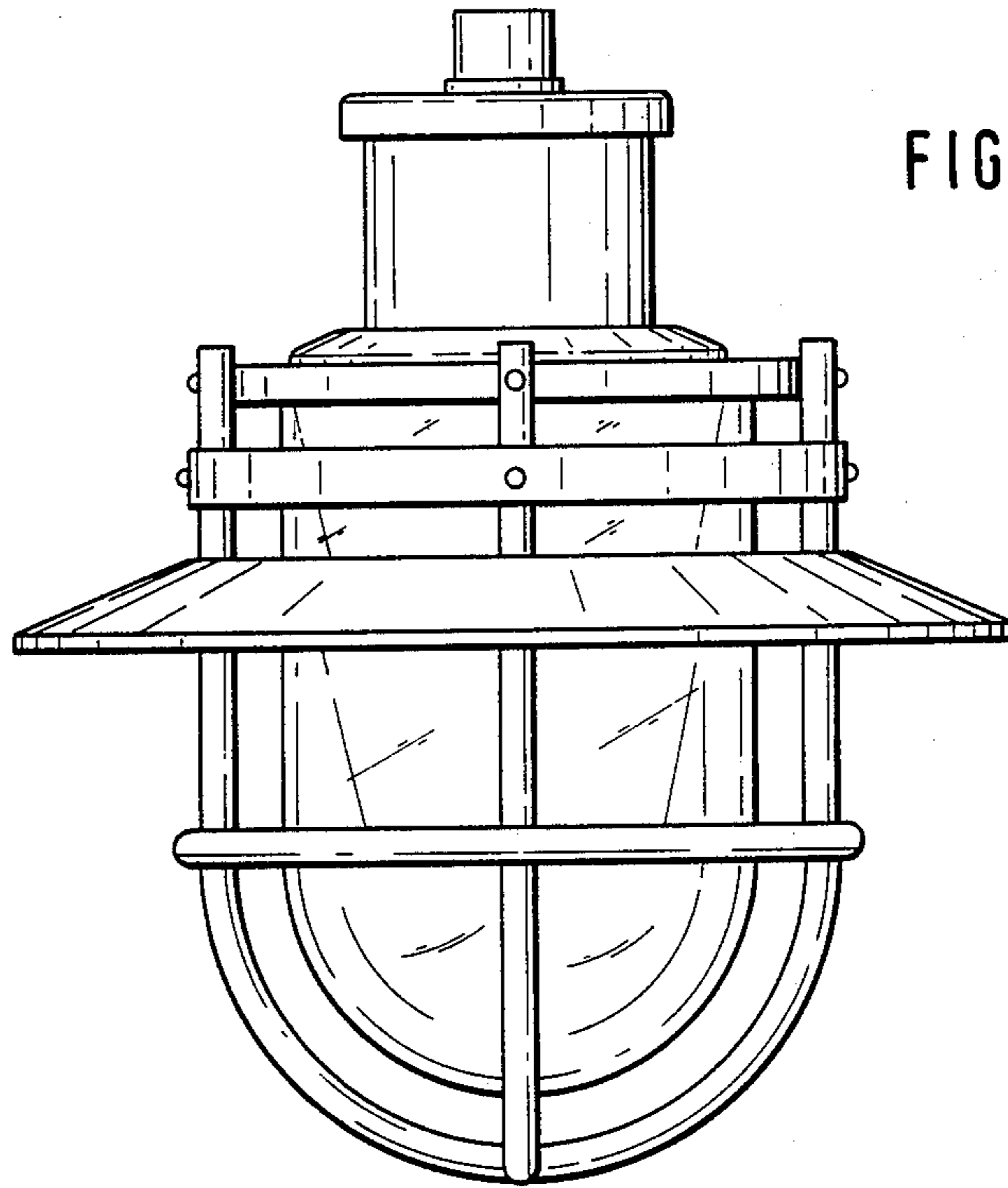
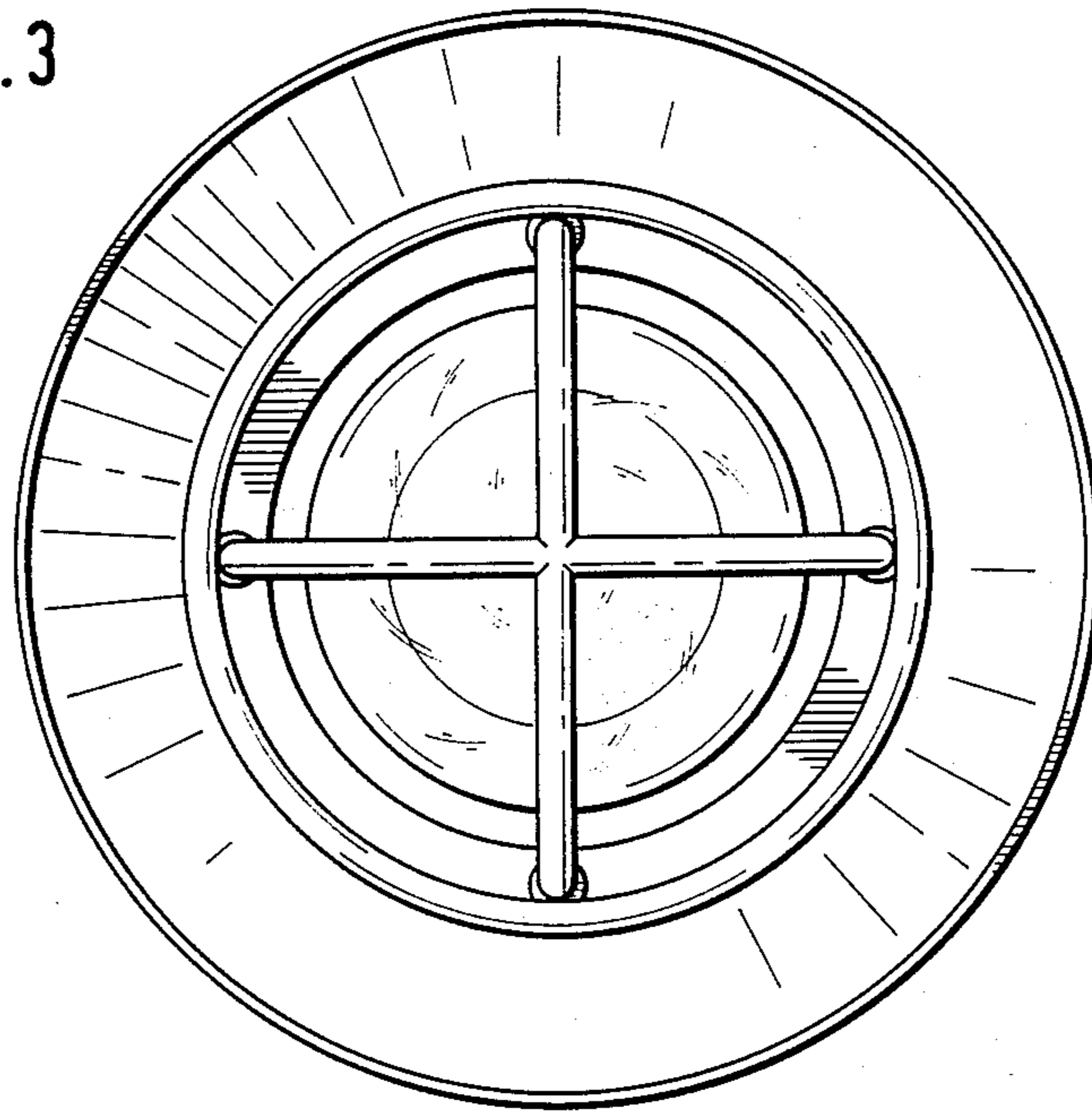


FIG. 2

FIG. 3



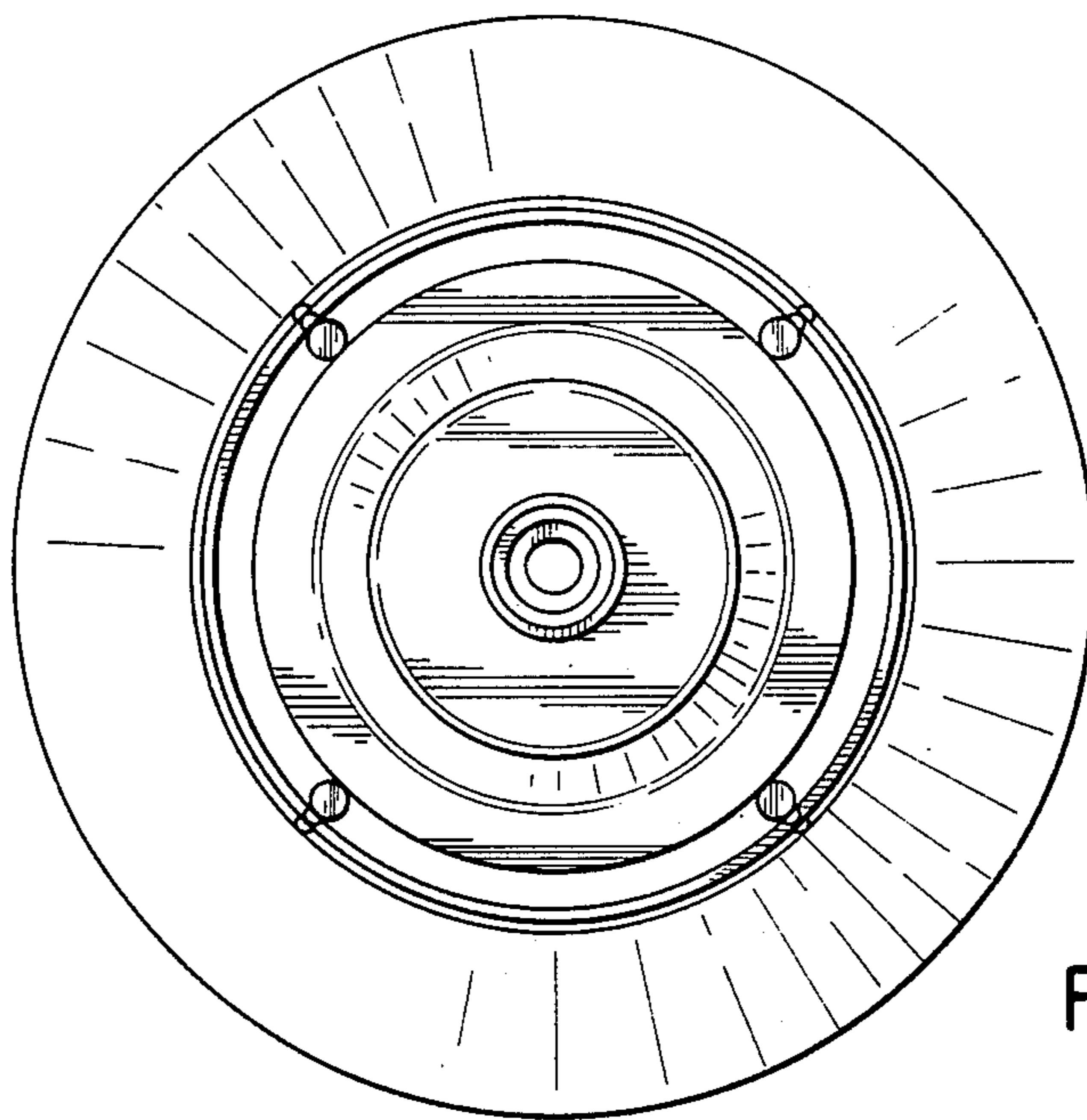


FIG. 4

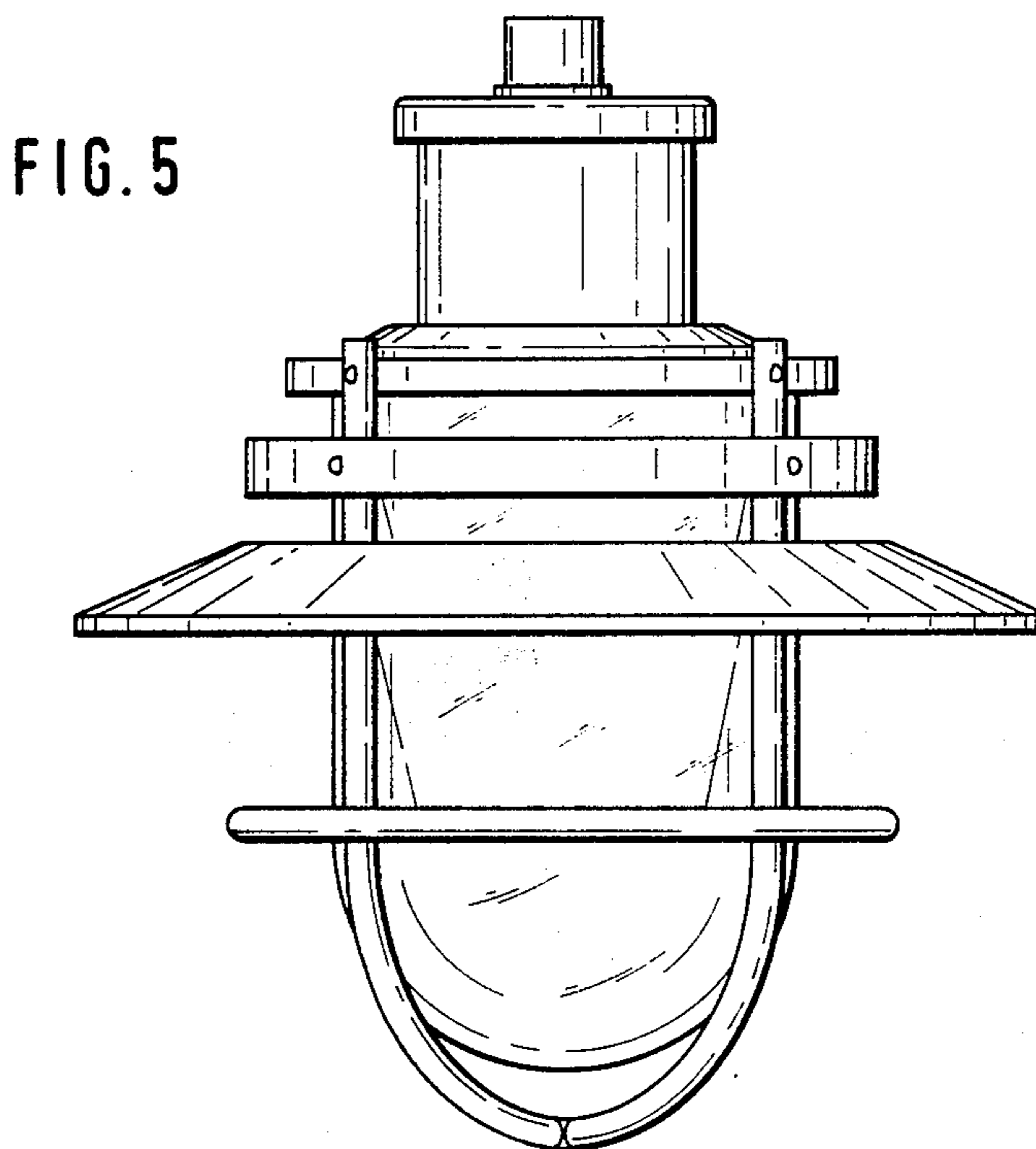


FIG. 5

FIG. 6

