

# United States Patent [19]

Hansen

[11] Patent Number: **Des. 300,371**

[45] Date of Patent: **\*\* Mar. 21, 1989**

[54] **STRUCTURAL BEAM**

[75] Inventor: **William R. Hansen, Gunnison, Colo.**

[73] Assignee: **Hansen Weather Port Corporation, Gunnison, Colo.**

[\*\*] Term: **14 Years**

[21] Appl. No.: **889,370**

[22] Filed: **Jul. 25, 1986**

[52] U.S. Cl. .... **D25/126; D25/121; D25/123**

[58] Field of Search ..... **D25/119-125, D25/126, 127, 128; 52/720, 729, 732**

[56] **References Cited**

### U.S. PATENT DOCUMENTS

D. 242,628 12/1976 Scrivener ..... D25/123

1,085,429 1/1914 Kahn et al. .... D25/121 X  
1,586,053 5/1926 Snyder ..... D25/121 X

*Primary Examiner*—A. Hugo Word

*Attorney, Agent, or Firm*—Fields, Lewis, Pittenger & Rost

[57] **CLAIM**

The ornamental design for a structural beam, as shown and described.

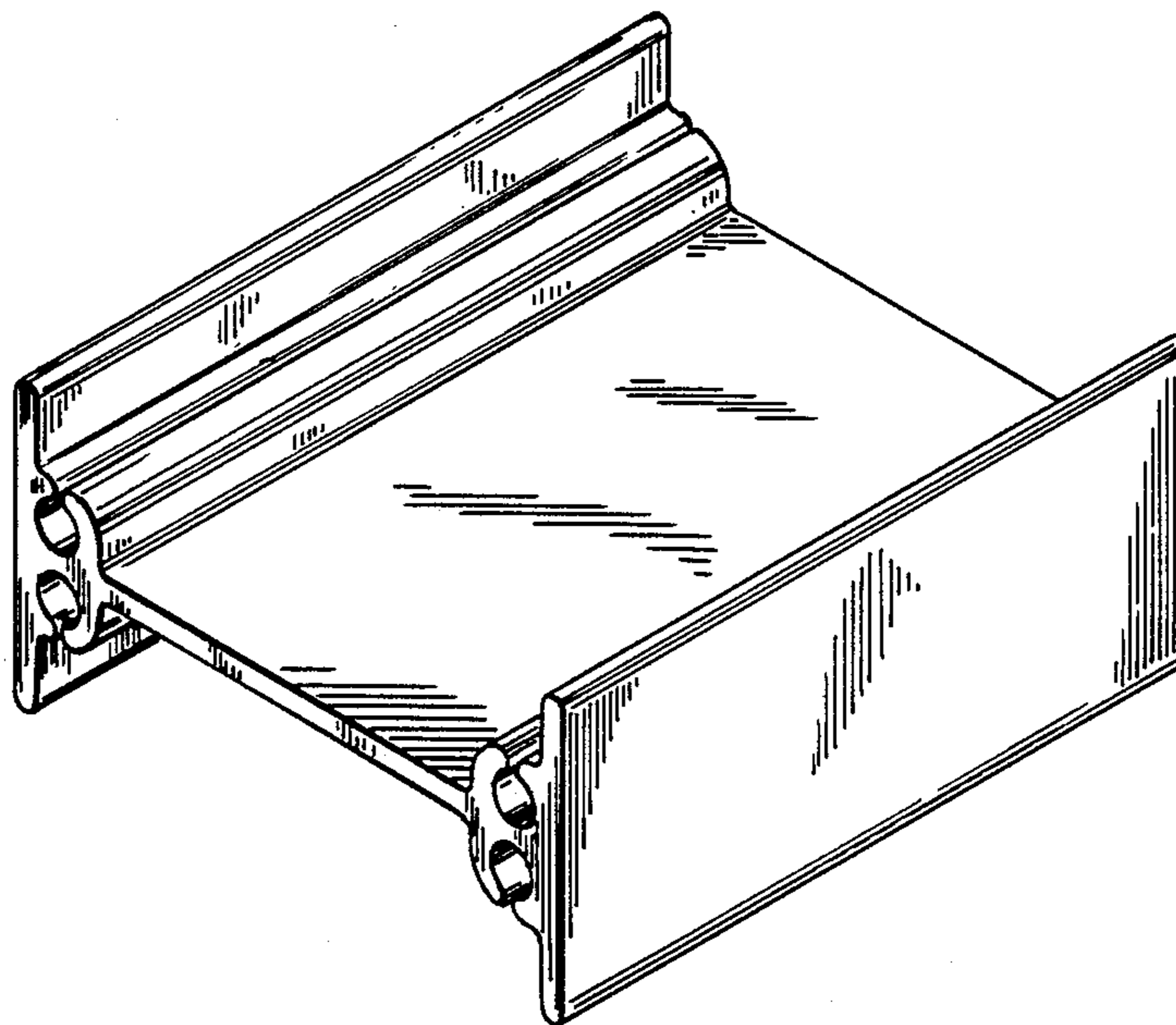
### DESCRIPTION

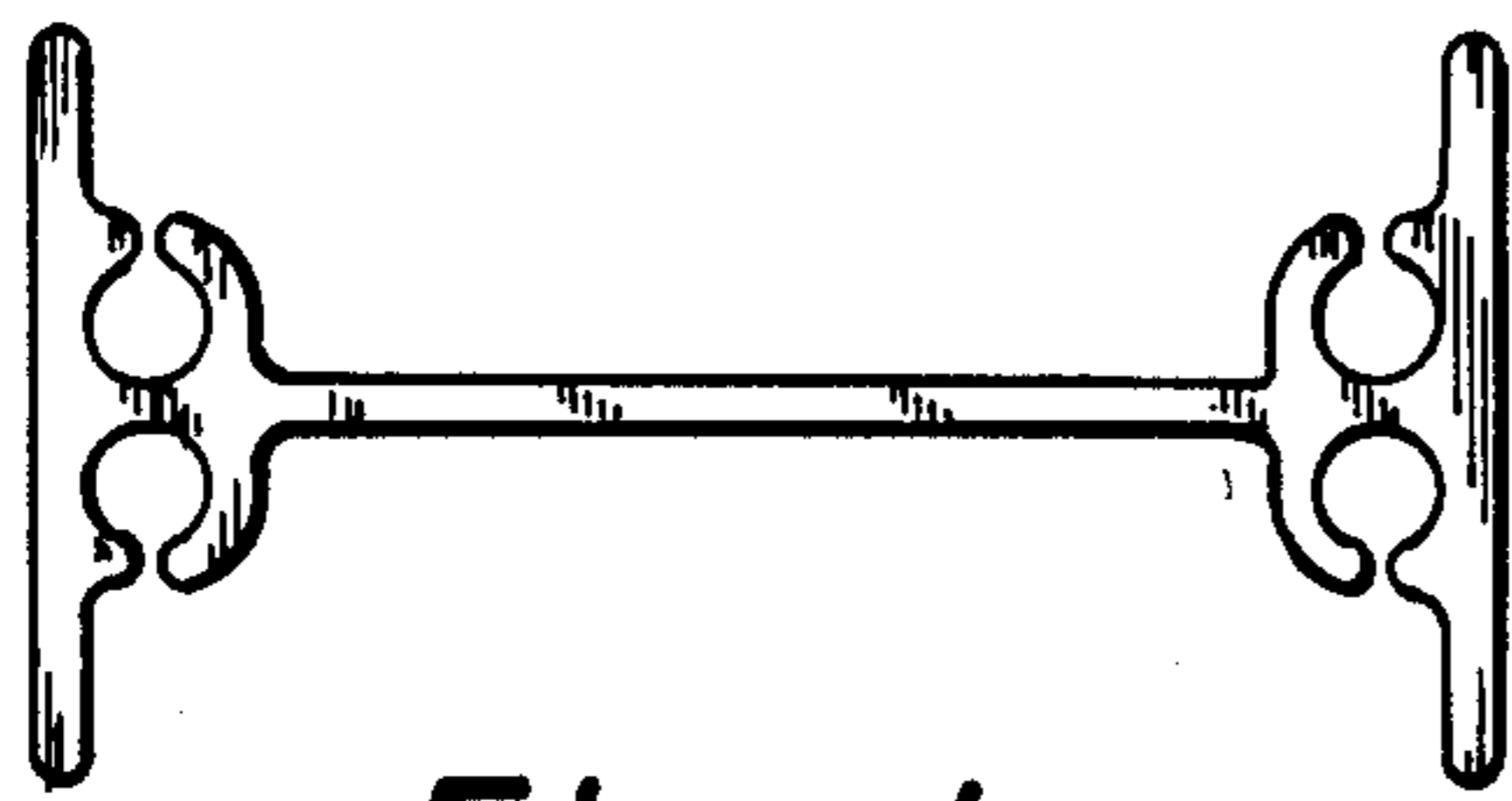
FIG. 1 is an end elevation of the structural beam of this invention;

FIG. 2 is a side elevation of the structural beam of FIG. 1;

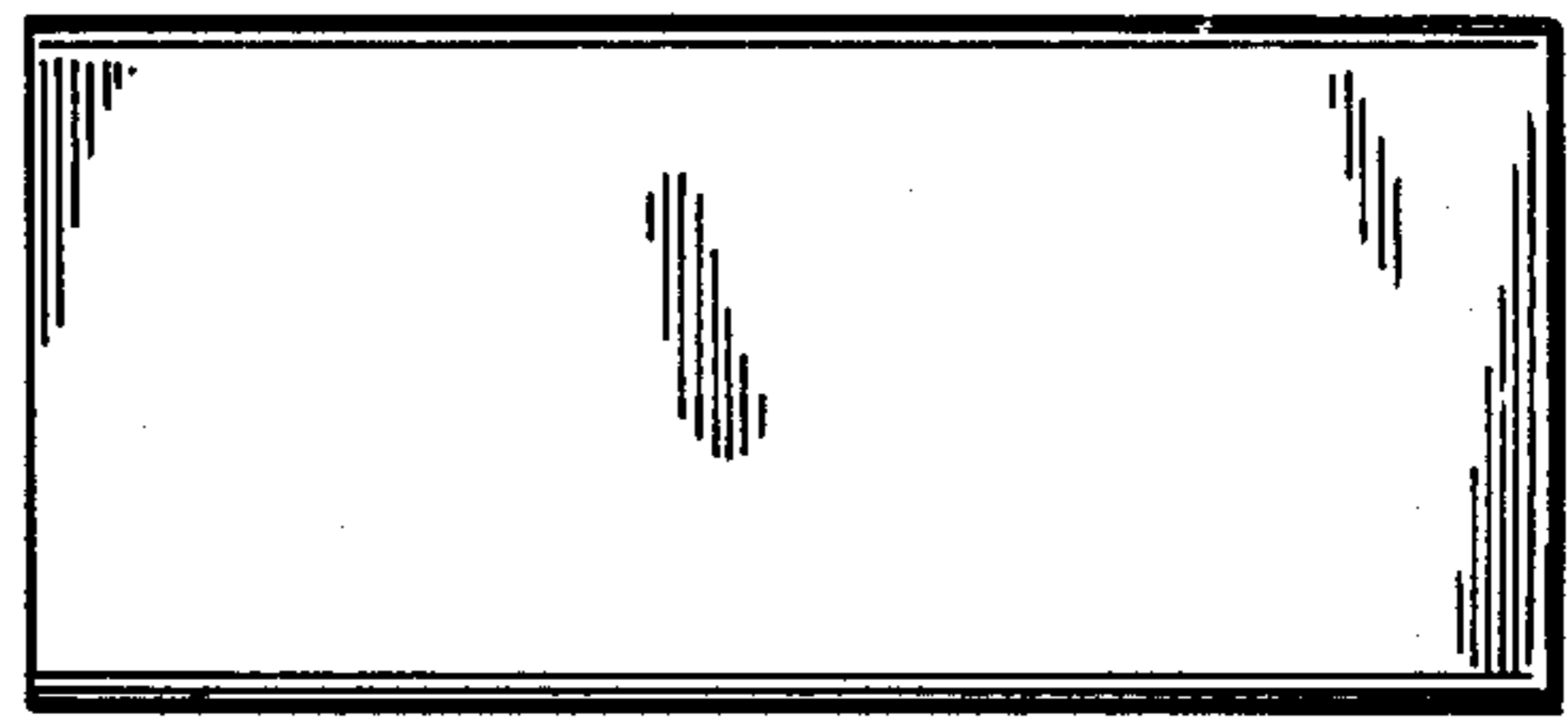
FIG. 3 is a top plan view of the structural beam of FIG. 1; and

FIG. 4 is a perspective view of the structural beam of FIG. 1.

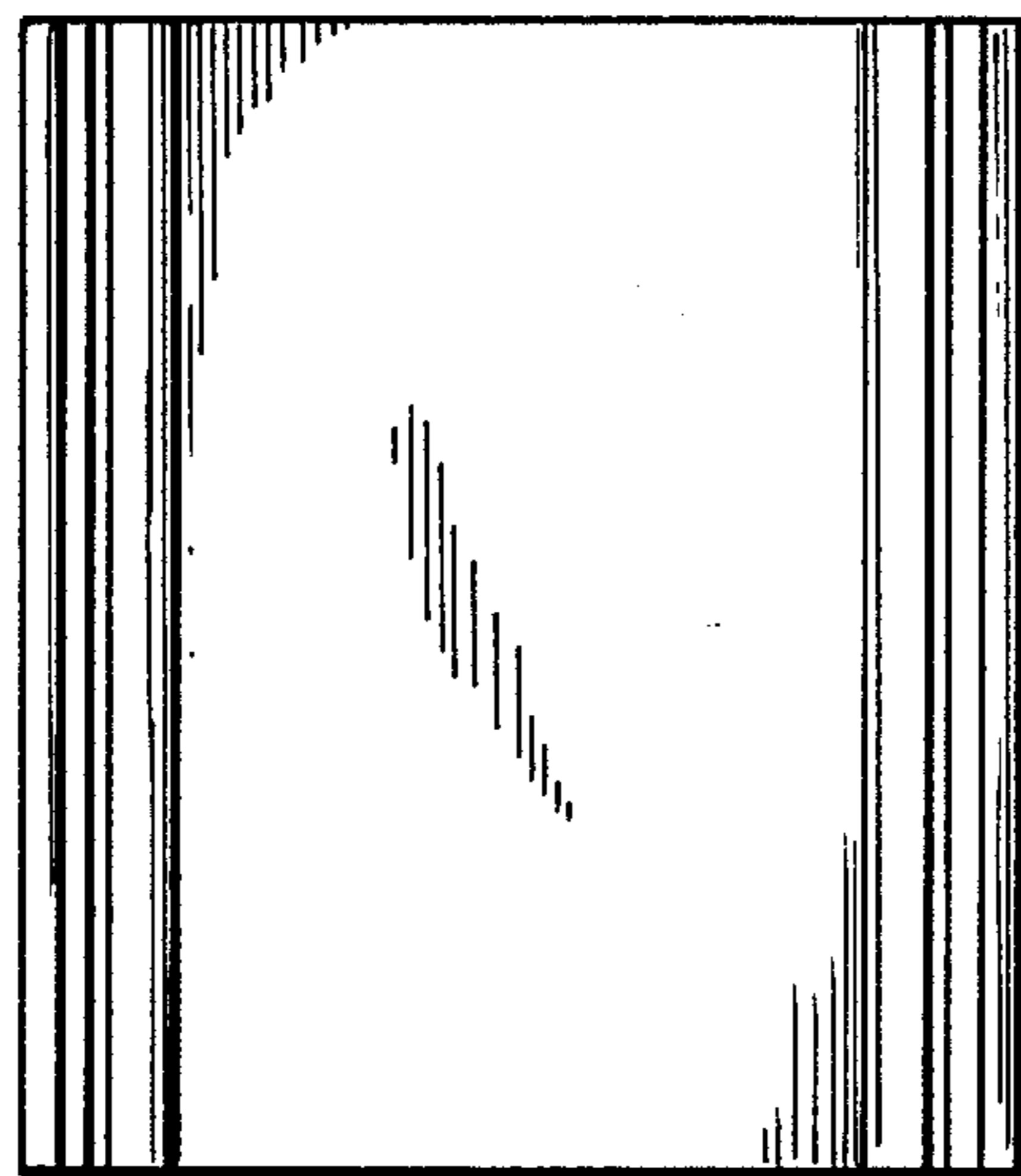




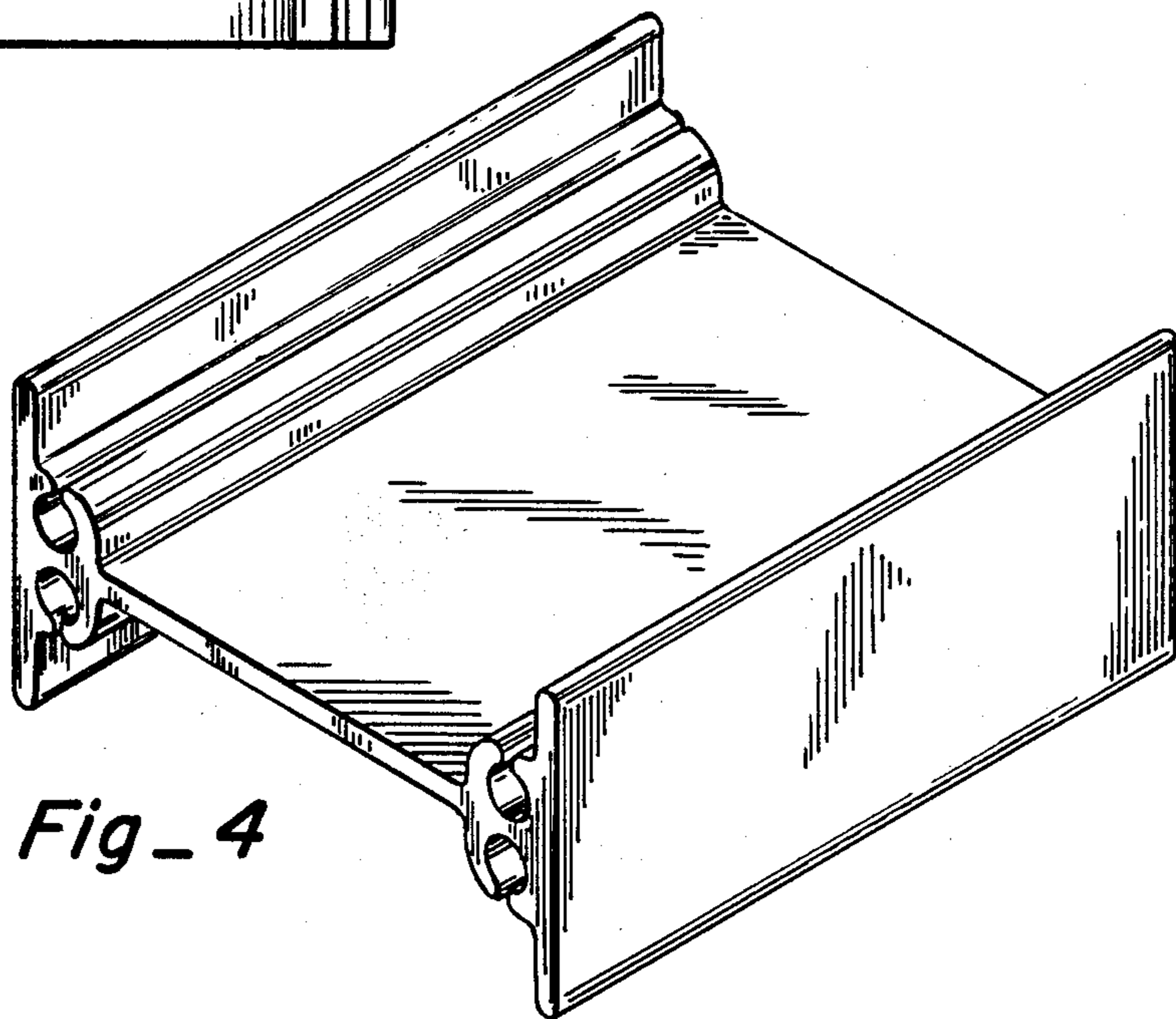
*Fig\_1*



*Fig\_2*



*Fig\_3*



*Fig\_4*