

United States Patent [19]

Reisinger et al.

[11] Patent Number: **Des. 300,369**

[45] Date of Patent: **** Mar. 21, 1989**

[54] WINDOW COMPONENT EXTRUSION

[75] Inventors: **Ludwig Reisinger, McPherson; Dennis Westphal, Galva; Jonathan Piles, McPherson, all of Kans.**

[73] Assignee: **CertainTeed Corporation, Valley Forge, Pa.**

[**] Term: **14 Years**

[21] Appl. No.: **901,171**

[22] Filed: **Aug. 27, 1986**

[52] U.S. Cl. **D25/124**

[58] Field of Search **D25/52; 49/413, 419, 49/501, 504, DIG. 2**

[56] References Cited

U.S. PATENT DOCUMENTS

D. 260,181 8/1981 Dallaire D25/119
D. 260,556 9/1981 Kloke D25/119
D. 263,754 4/1982 Dallaire D25/122

Primary Examiner—A. Hugo Word
Attorney, Agent, or Firm—Paul & Paul

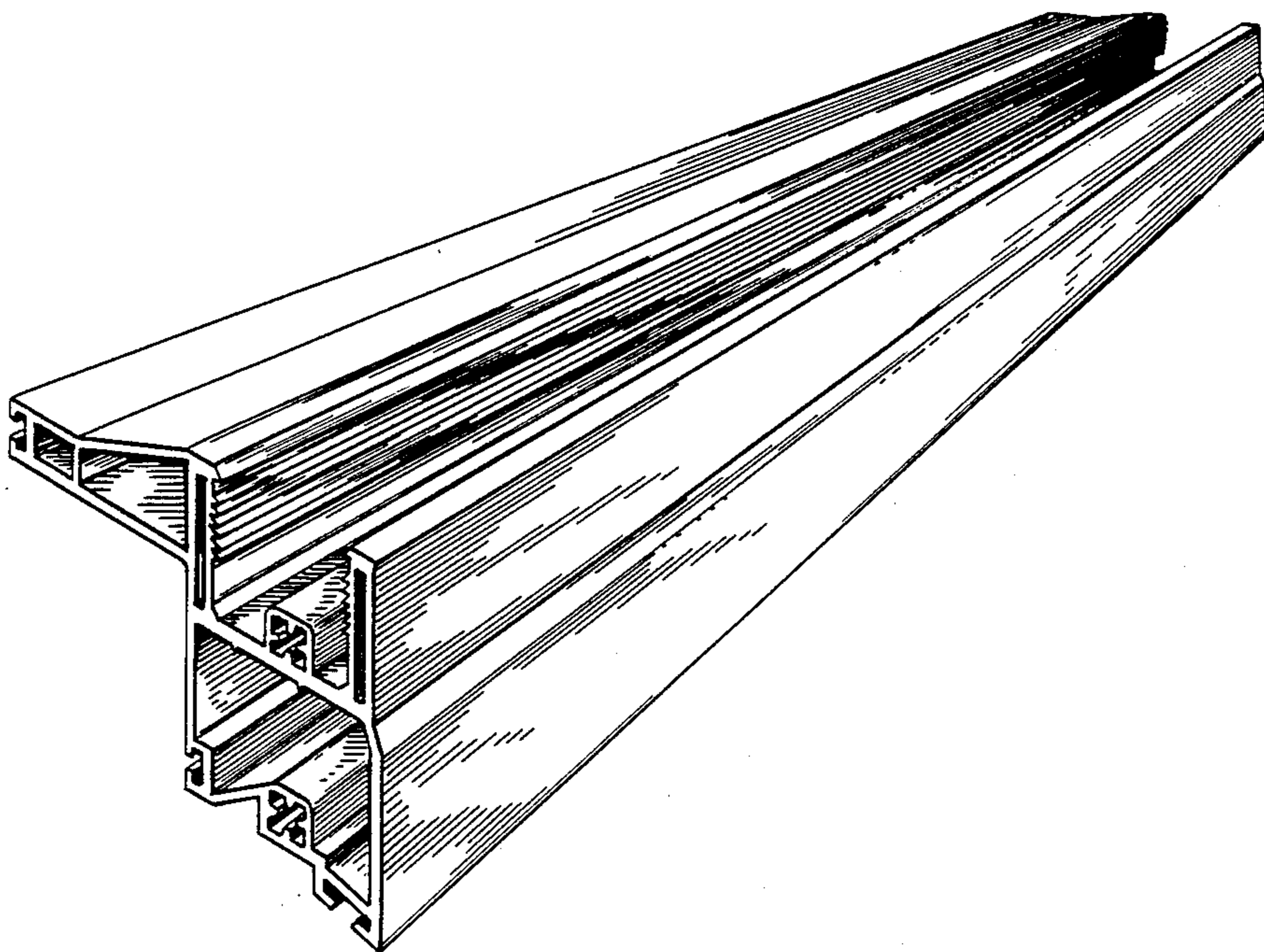
[57] CLAIM

The ornamental design for a window component extrusion, as shown and described.

DESCRIPTION

FIG. 1 is a perspective view of a window component extrusion of indeterminate length comprising the new design.

FIG. 2 is an end view of the window component extrusion illustrated in FIG. 1.



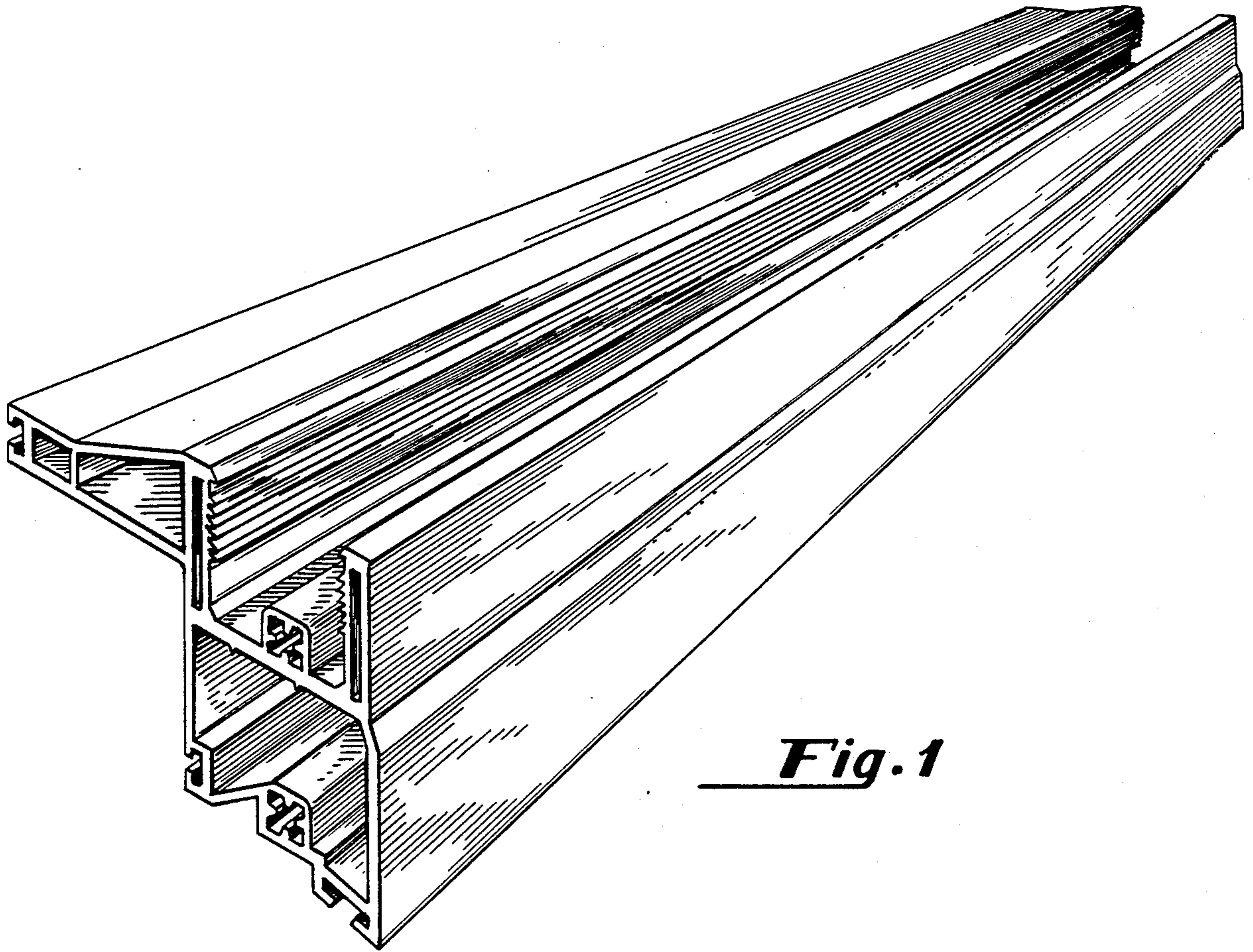


Fig. 1

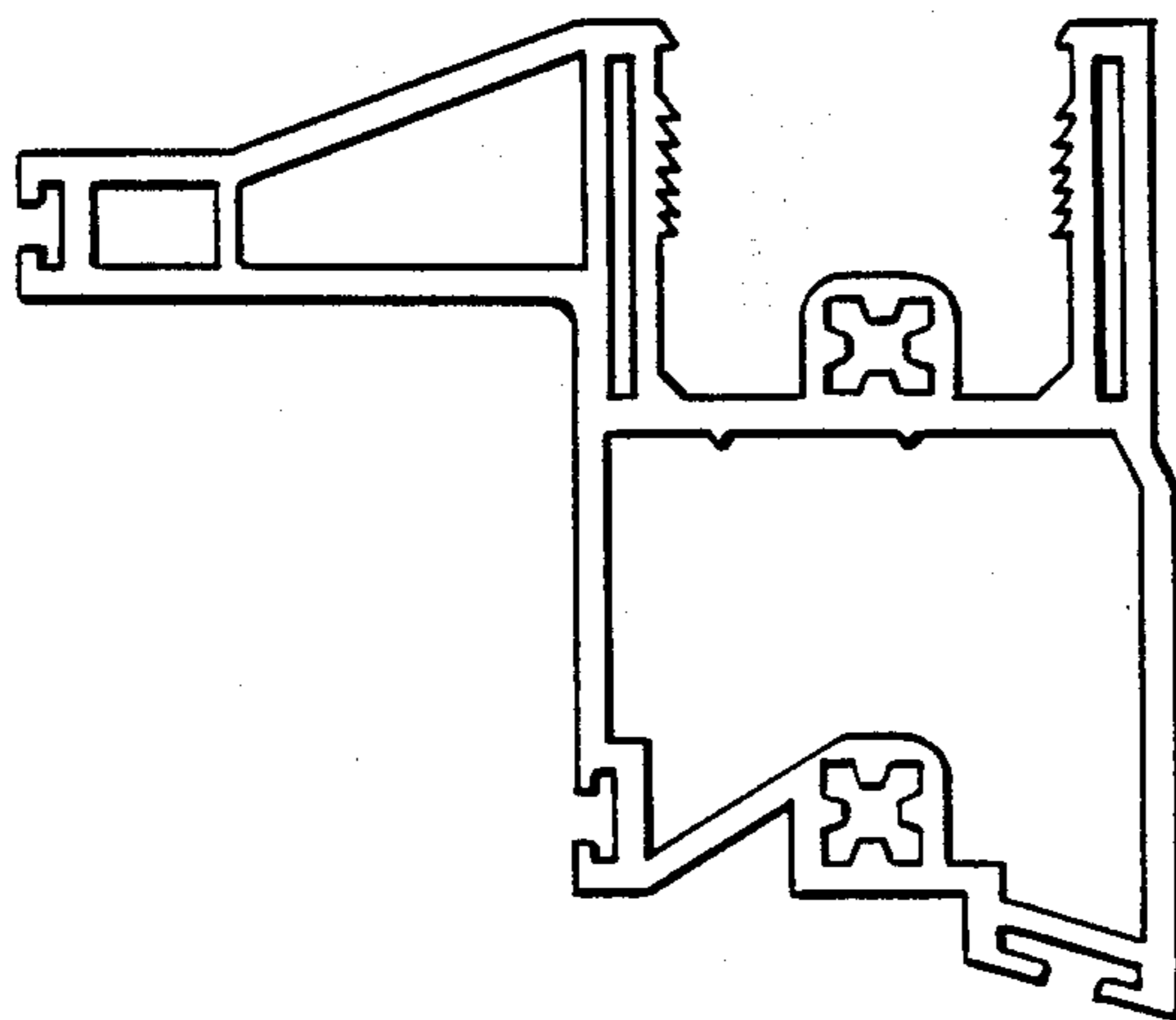


Fig. 2