

United States Patent [19]

Reisinger et al.

[11] Patent Number: Des. 300,368

[45] Date of Patent: ** Mar. 21, 1989

[54] WINDOW COMPONENT EXTRUSION

[75] Inventors: Ludwig Reisinger, McPherson;
Dennis Westphal, Galva; Jonathan
Piles, McPherson, all of Kans.

[73] Assignee: CertainTeed Corporation, Valley
Forge, Pa.

[**] Term: 14 Years

[21] Appl. No.: 901,164

[22] Filed: Aug. 27, 1986

[52] U.S. Cl. D25/124

[58] Field of Search D25/52; 49/413, 419,
49/501, 504, DIG. 2

[56] References Cited

U.S. PATENT DOCUMENTS

D. 266,949 11/1982 Goldhaber D25/125 X
D. 283,359 4/1986 Bancroft D25/122
D. 290,172 6/1987 Hardy D25/122

Primary Examiner—A. Hugo Word
Attorney, Agent, or Firm—Paul & Paul

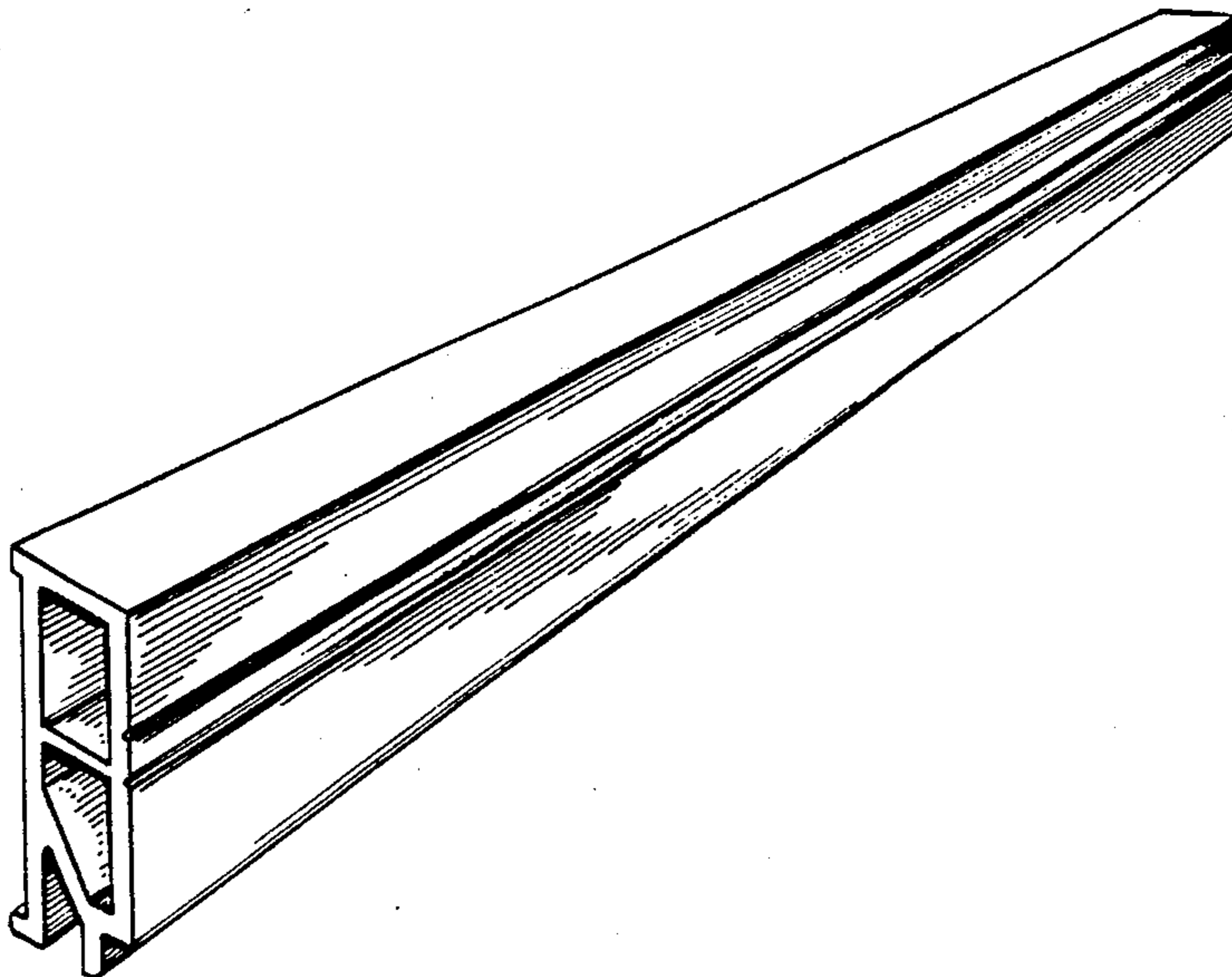
[57] CLAIM

The ornamental design for a window component extrusion, as shown and described.

DESCRIPTION

FIG. 1 is a perspective view of a window component extrusion of indeterminate length comprising the new design.

FIG. 2 is an end view of the window component extrusion illustrated in FIG. 1.



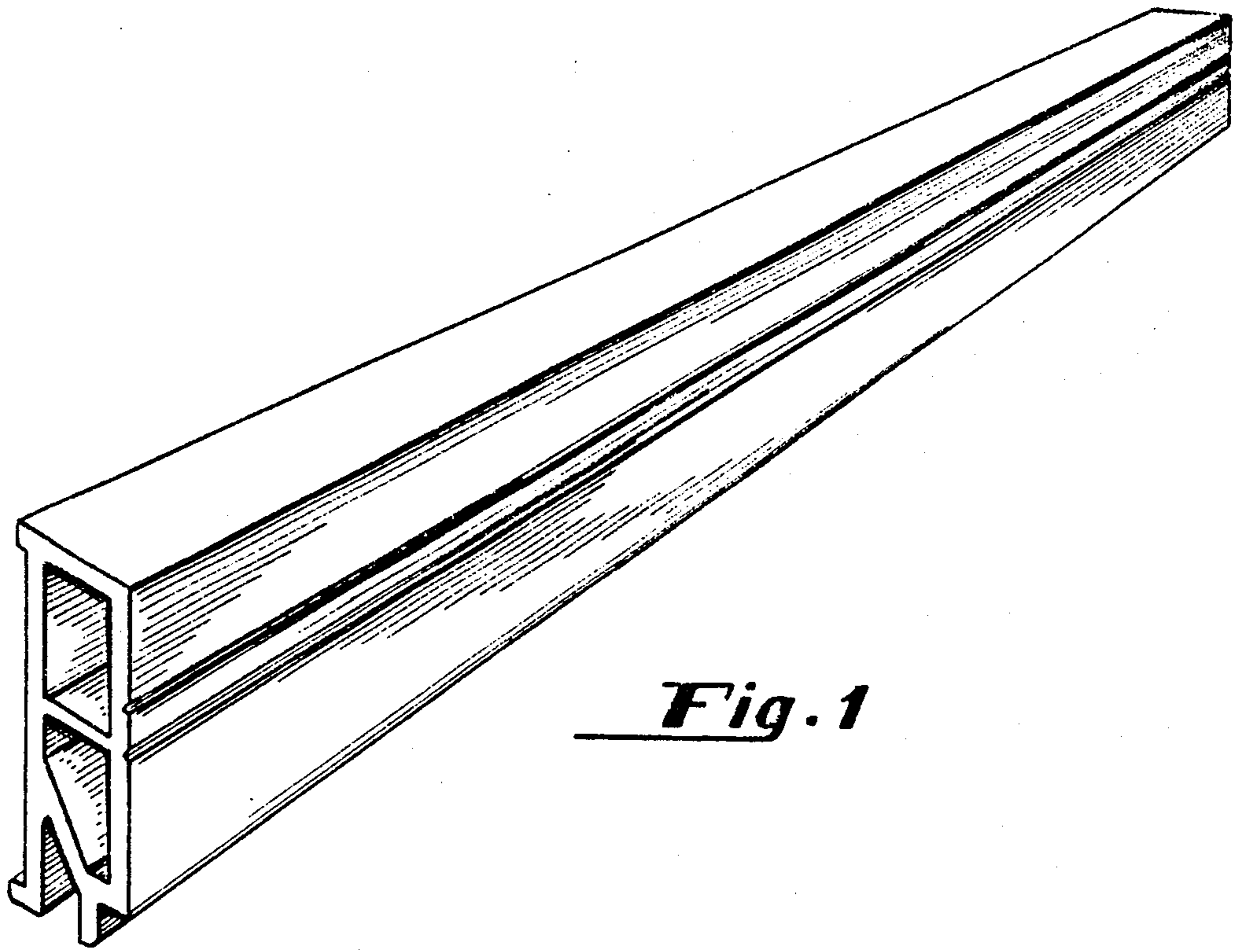


Fig. 1

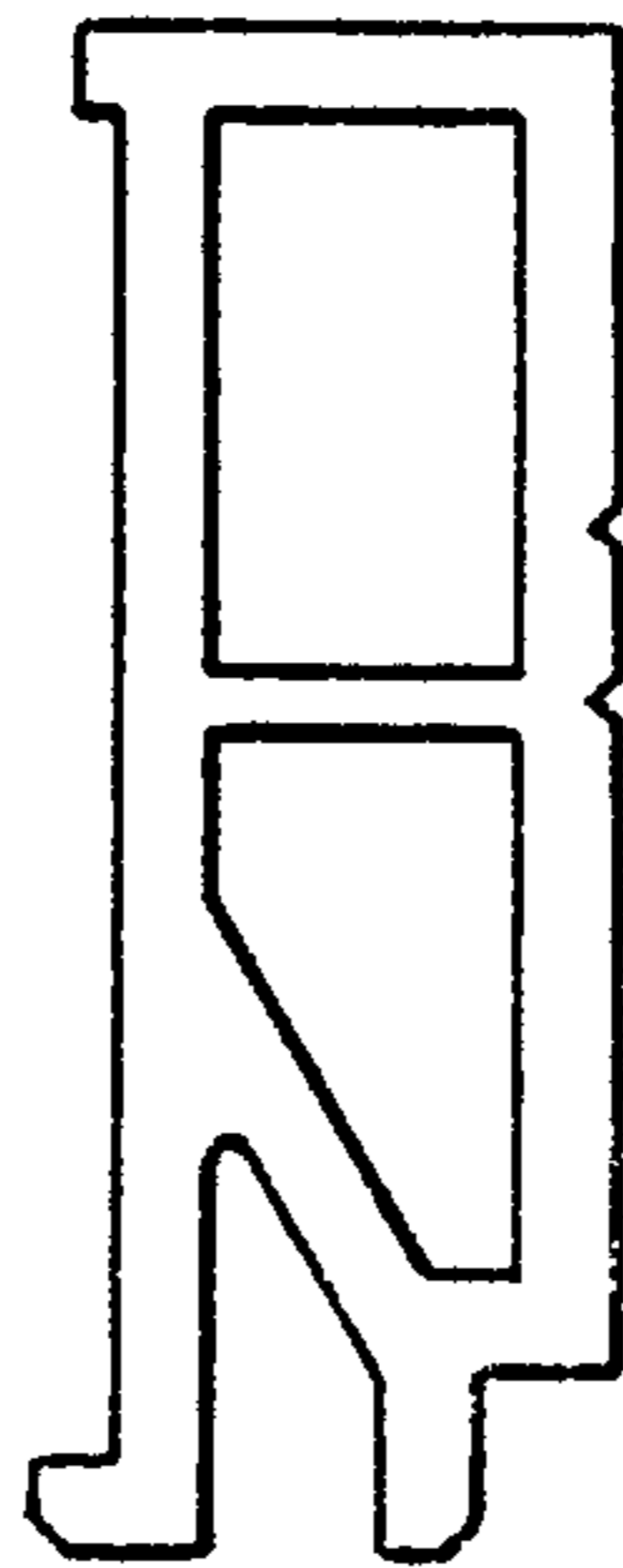


Fig. 2