

# United States Patent [19]

Reisinger et al.

[11] Patent Number: **Des. 300,367**

[45] Date of Patent: **\*\* Mar. 21, 1989**

[54] WINDOW COMPONENT EXTRUSION

[75] Inventors: **Ludwig Reisinger, McPherson;**  
**Dennis Westphal, Galva; Jonathan**  
**Piles, McPherson, all of Kans.**

[73] Assignee: **CertainTeed Corporation, Valley**  
**Forge, Pa.**

[\*\*] Term: **14 Years**

[21] Appl. No.: **901,165**

[22] Filed: **Aug. 27, 1986**

[52] U.S. Cl. .... **D25/122**

[58] Field of Search ..... **D25/52; 49/413, 419,**  
**49/501, 504, DIG. 2**

[56] **References Cited**

### U.S. PATENT DOCUMENTS

3,751,868 8/1973 Mascioletti ..... D25/119 X  
4,344,257 8/1982 Anderson ..... D25/119 X  
4,621,478 11/1986 Phillips et al. .... D25/122 X

*Primary Examiner*—A. Hugo Word  
*Attorney, Agent, or Firm*—Paul & Paul

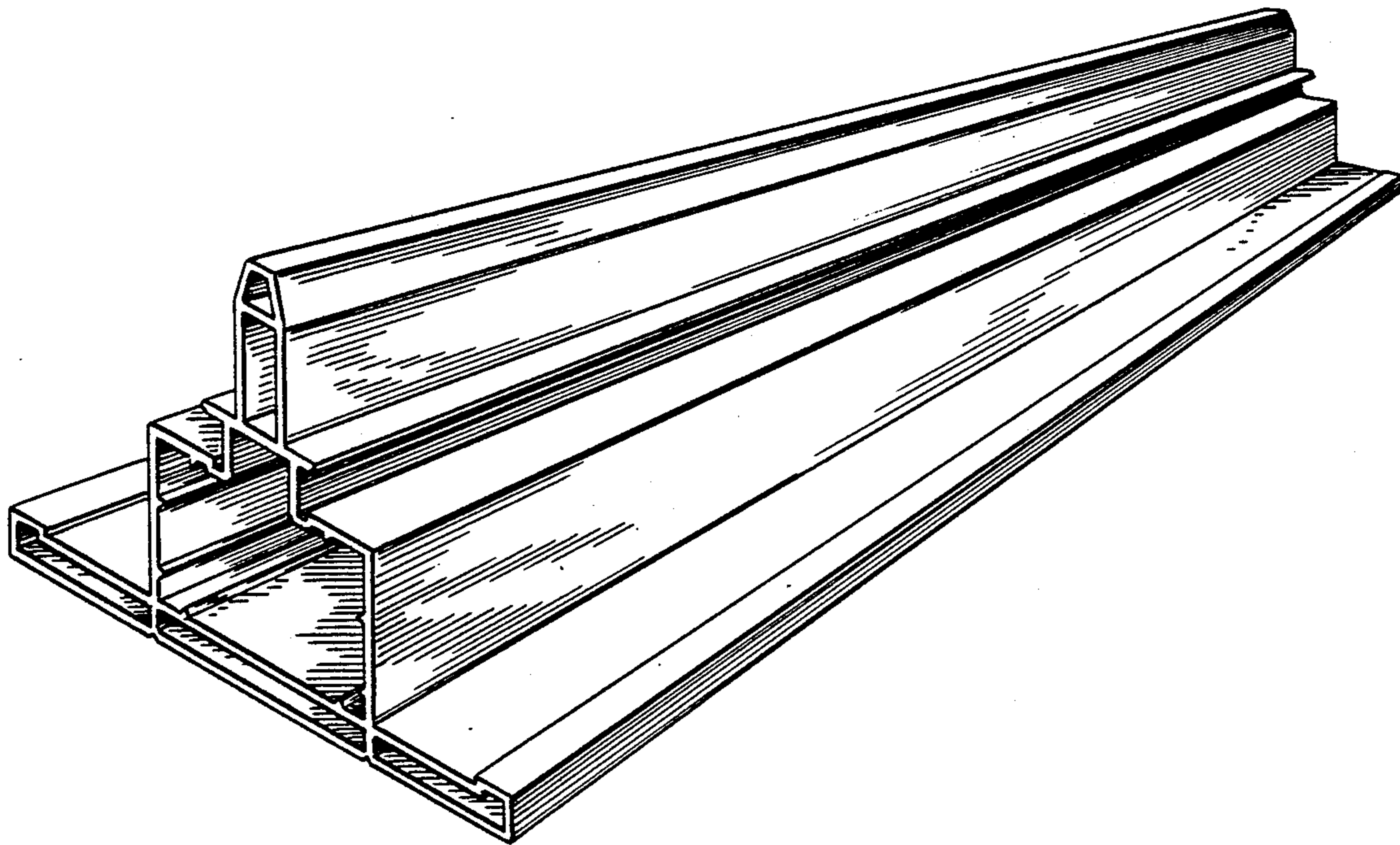
[57] **CLAIM**

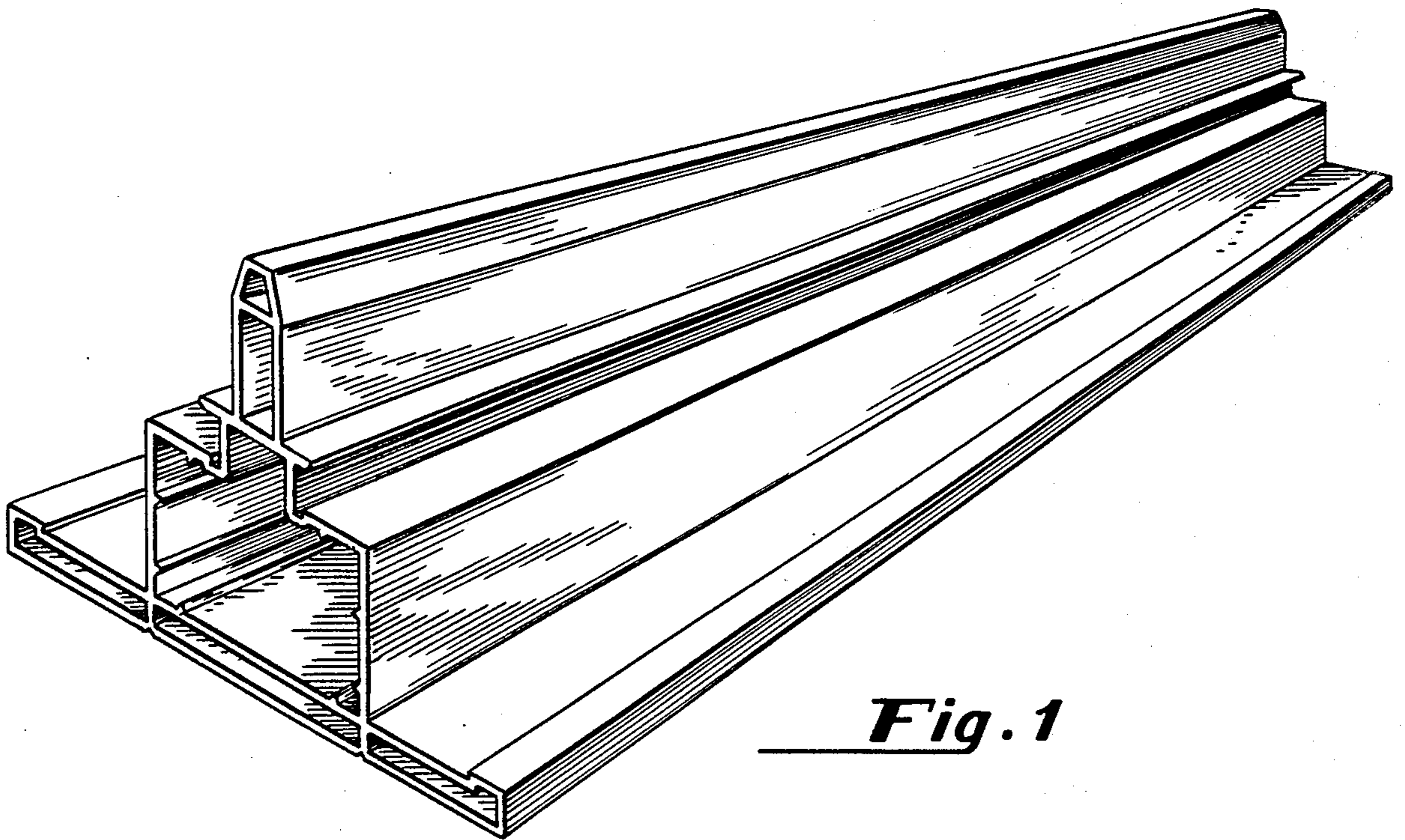
The ornamental design for a window component extrusion, as shown and described.

### DESCRIPTION

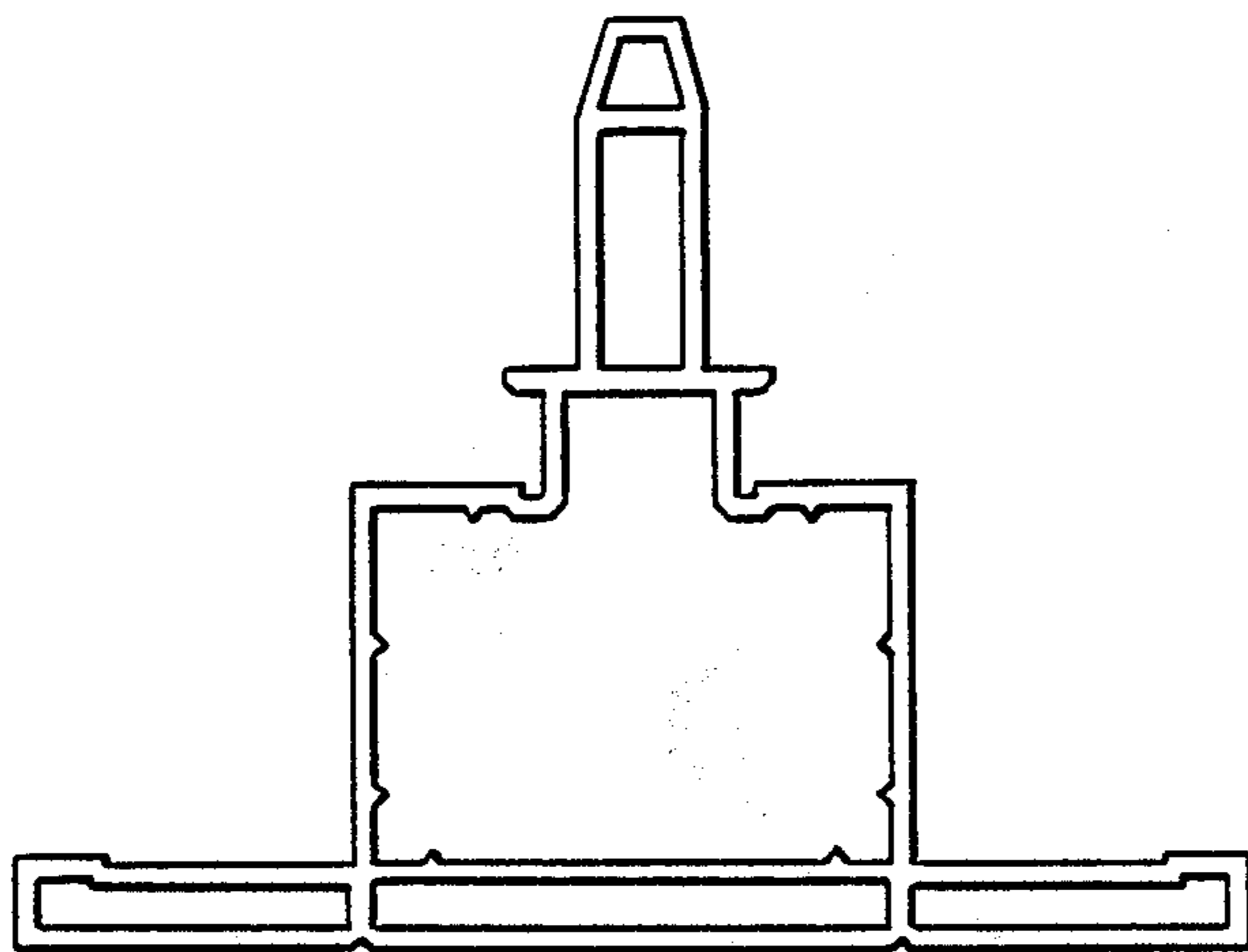
FIG. 1 is a perspective view of a window component extrusion of indeterminate length comprising the new design.

FIG. 2 is an end view of the window component extrusion illustrated in FIG. 1.





*Fig. 1*



*Fig. 2*