

[54] STEP LADDER

[75] Inventors: Claude R. Wallick, Jr.; Thomas J. Schmitt, both of Jefferson County, Ky.

[73] Assignee: Emerson Electric Co., St. Louis, Mo.

[**] Term: 14 Years

[21] Appl. No.: 851,683

[22] Filed: Apr. 14, 1986

[52] U.S. Cl. D25/64

[58] Field of Search D25/64, 63, 68; 182/108, 110, 119, 107, 206, 46

[56] References Cited

U.S. PATENT DOCUMENTS

4,023,647 5/1977 Confer D25/63 X

Primary Examiner—A. Hugo Word

Attorney, Agent, or Firm—Polster, Polster and Lucchesi

[57] CLAIM

The ornamental design for a step ladder, as shown and described.

DESCRIPTION

FIG. 1 is a front perspective view of the step ladder

showing my new design, illustrating the step ladder in its erected position;

FIG. 2 is a right side elevational view of FIG. 1;

FIG. 3 is a right side elevational view of the step ladder in its collapsed or folded position;

FIG. 4 is a front elevational view of the front section of the step ladder;

FIG. 5 is a right side elevational view of FIG. 4, the opposite side being a mirror image thereof;

FIG. 6 is a rear elevational view thereof;

FIG. 7 is a bottom plan view thereof;

FIG. 8 is a top plan view thereof;

FIG. 9 is a rear elevational view of the rear section of the step ladder;

FIG. 10 is a right side elevational view of FIG. 9, the opposite side being a mirror image thereof;

FIG. 11 is a front elevational view thereof;

FIG. 12 is a top plan view thereof;

FIG. 13 is a bottom plan view thereof;

FIG. 14 is a front elevational view of the step ladder shown in FIG. 2;

FIG. 15 is a rear elevational view of the step ladder shown in FIG. 2;

FIG. 16 is a top plan view thereof; and

FIG. 17 is a bottom plan view thereof.

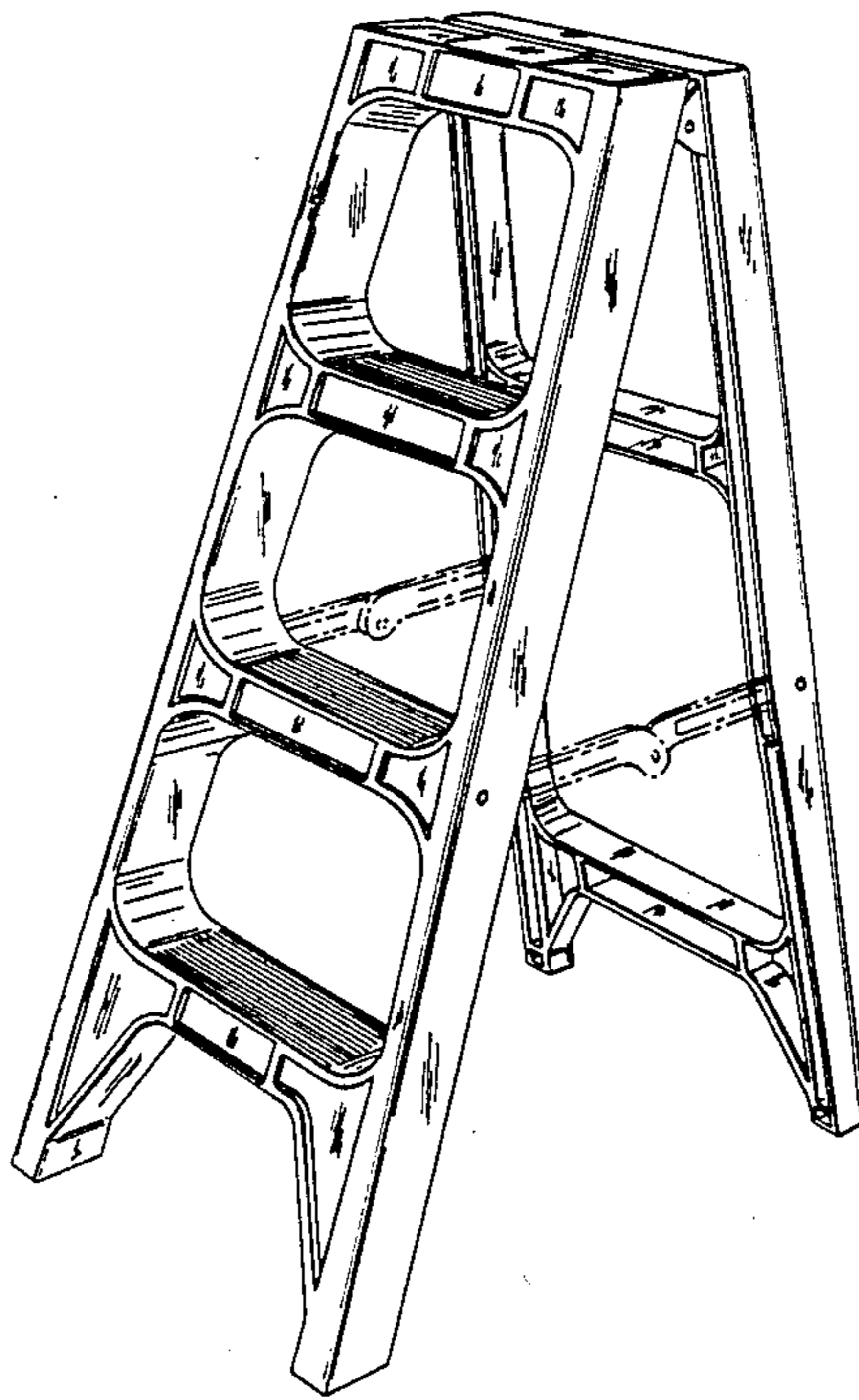


FIG. 1

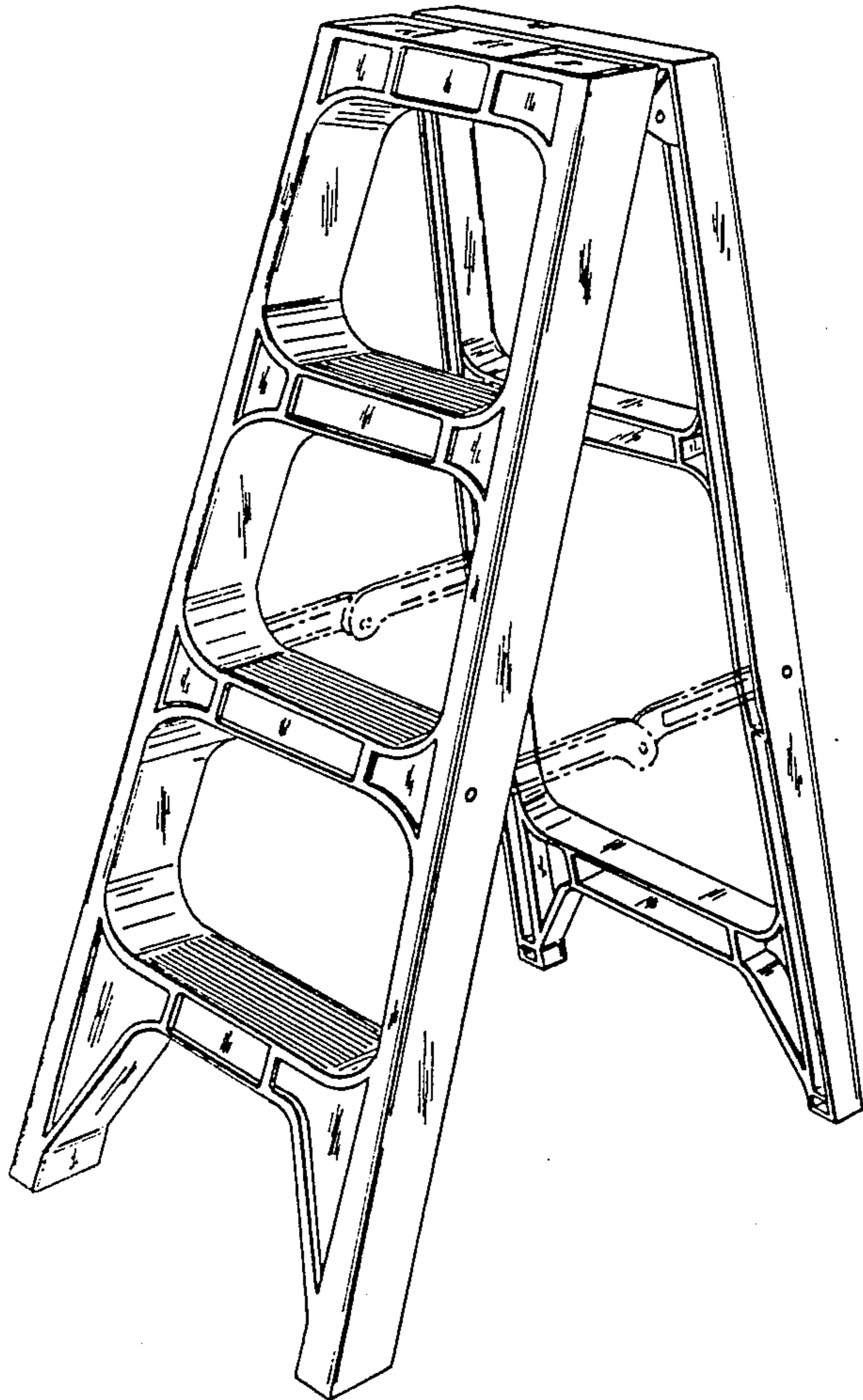


FIG. 3

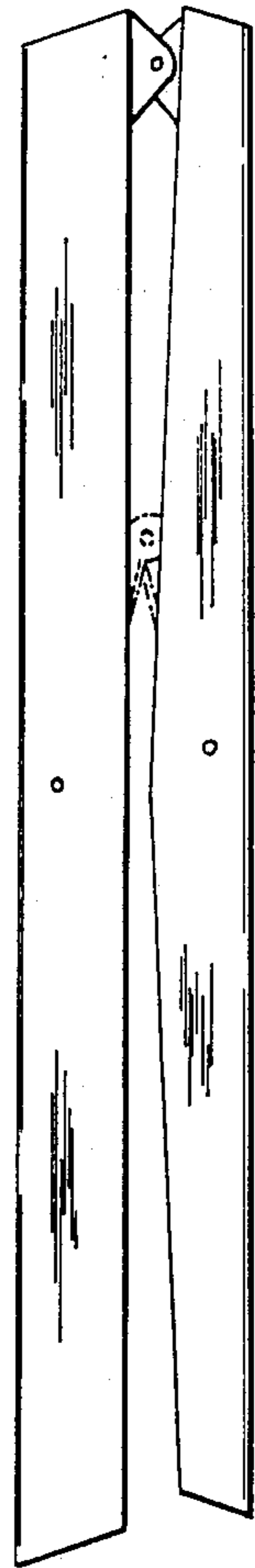


FIG. 2

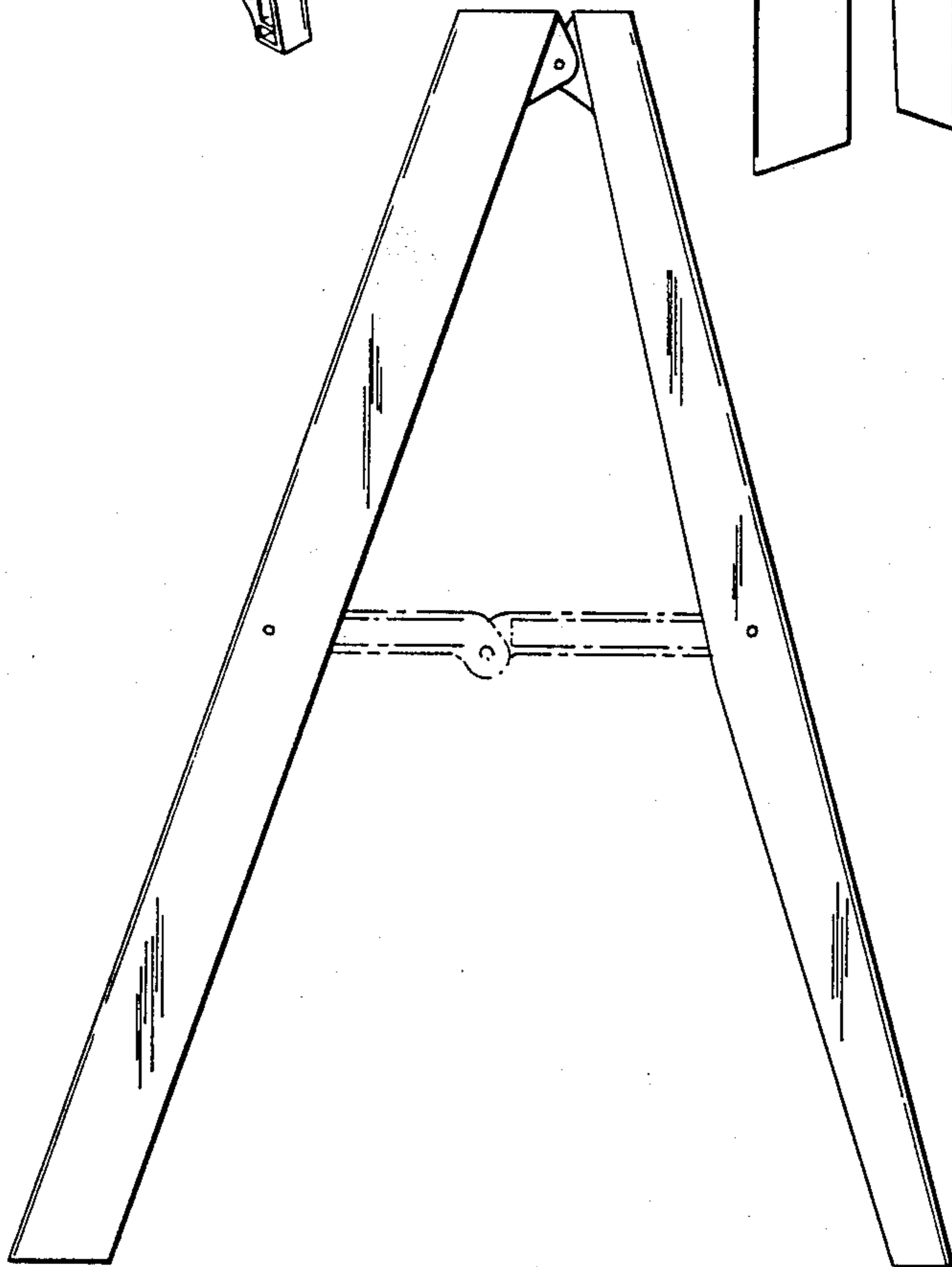


FIG. 4

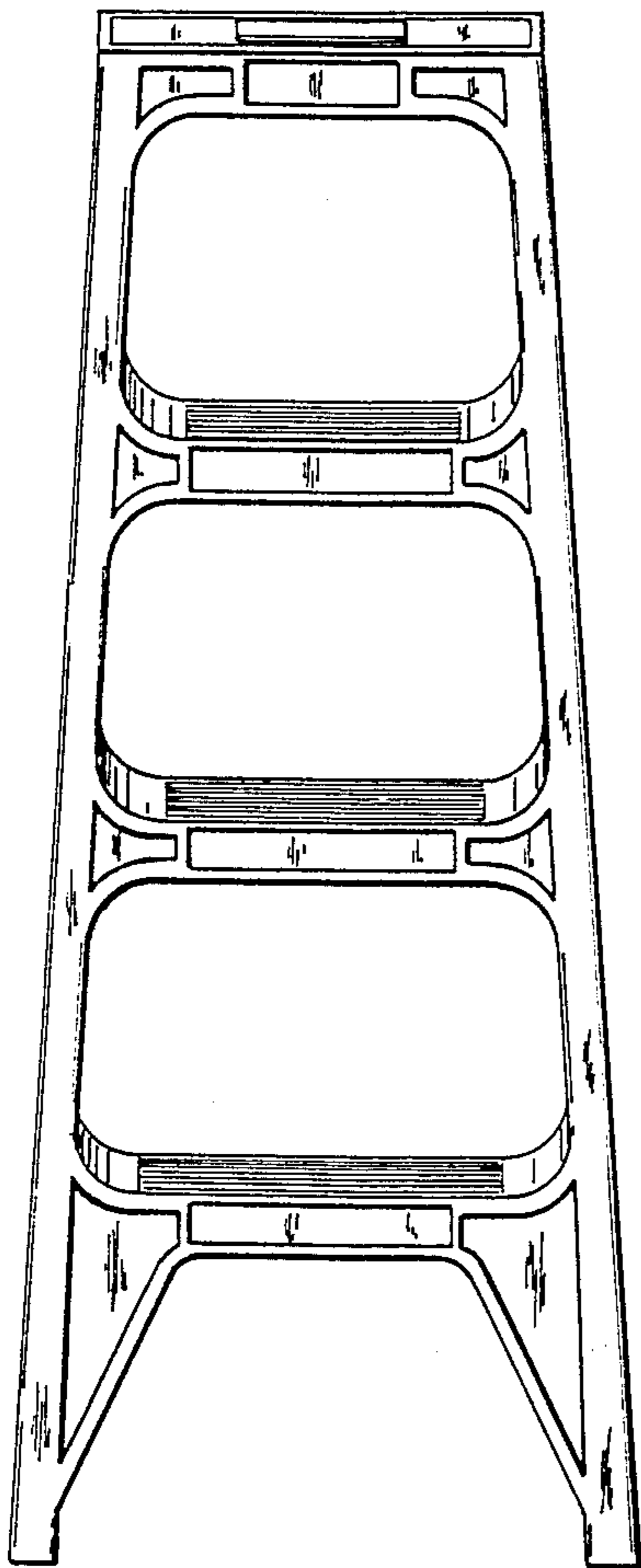


FIG. 5



FIG. 6

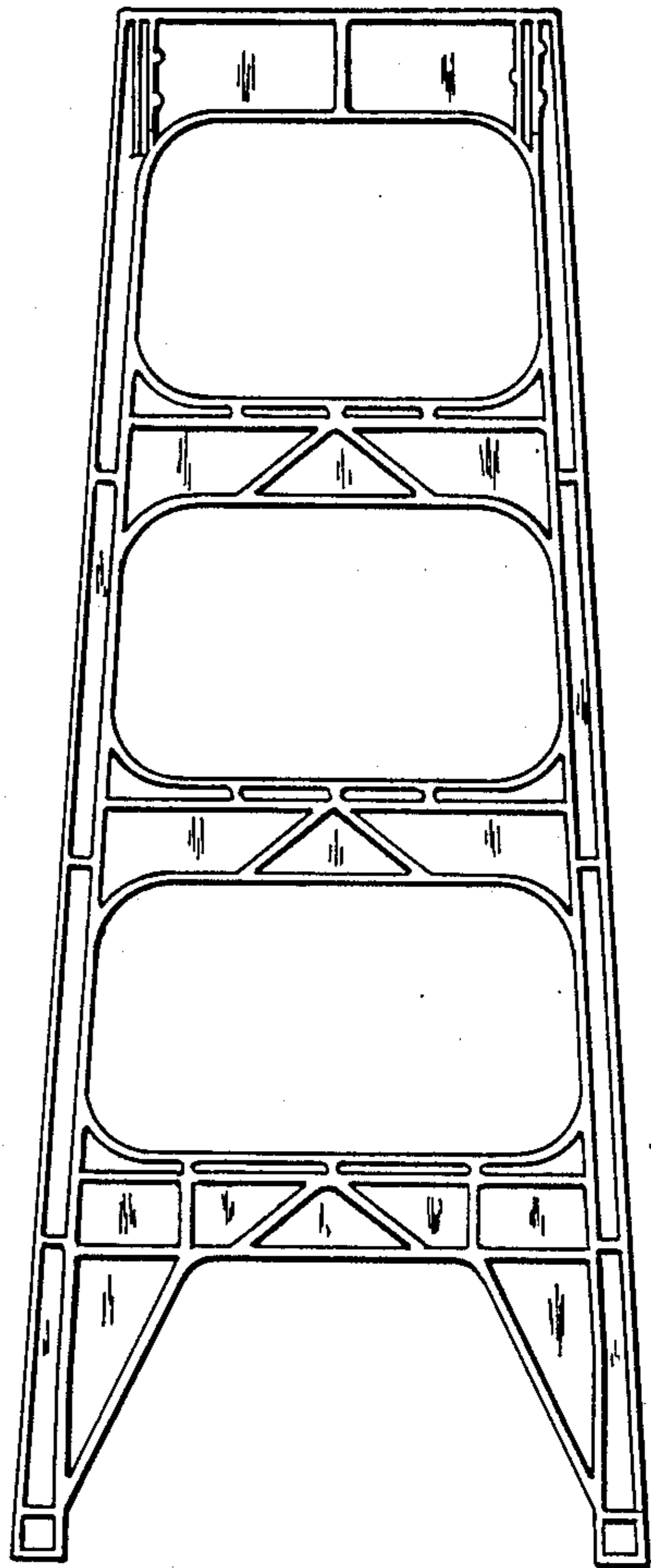


FIG. 7

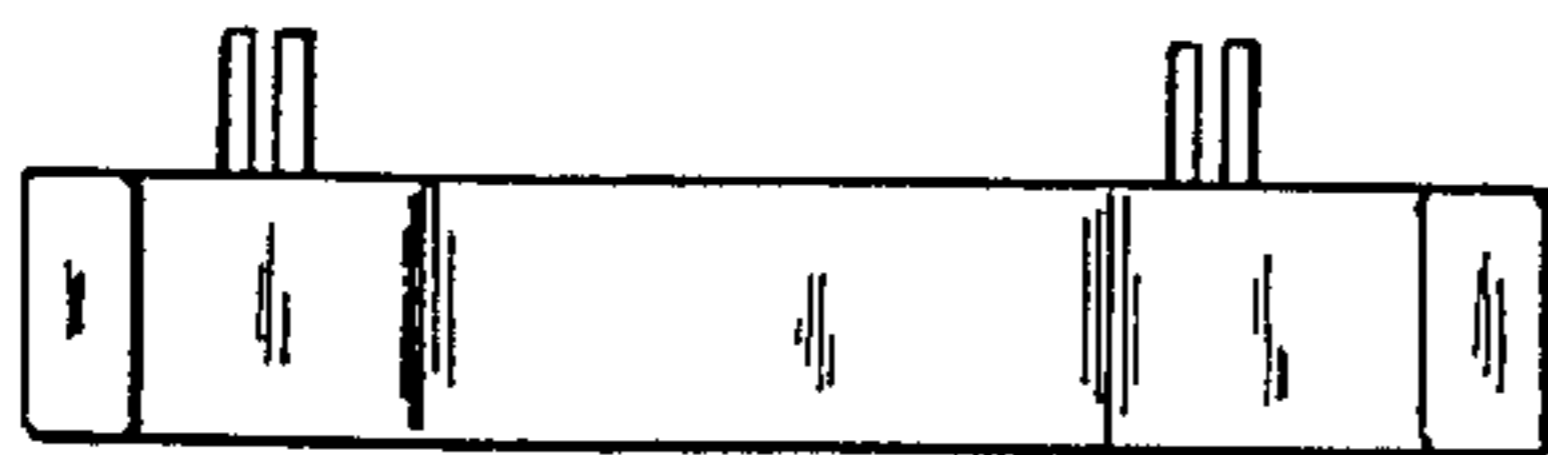


FIG. 8

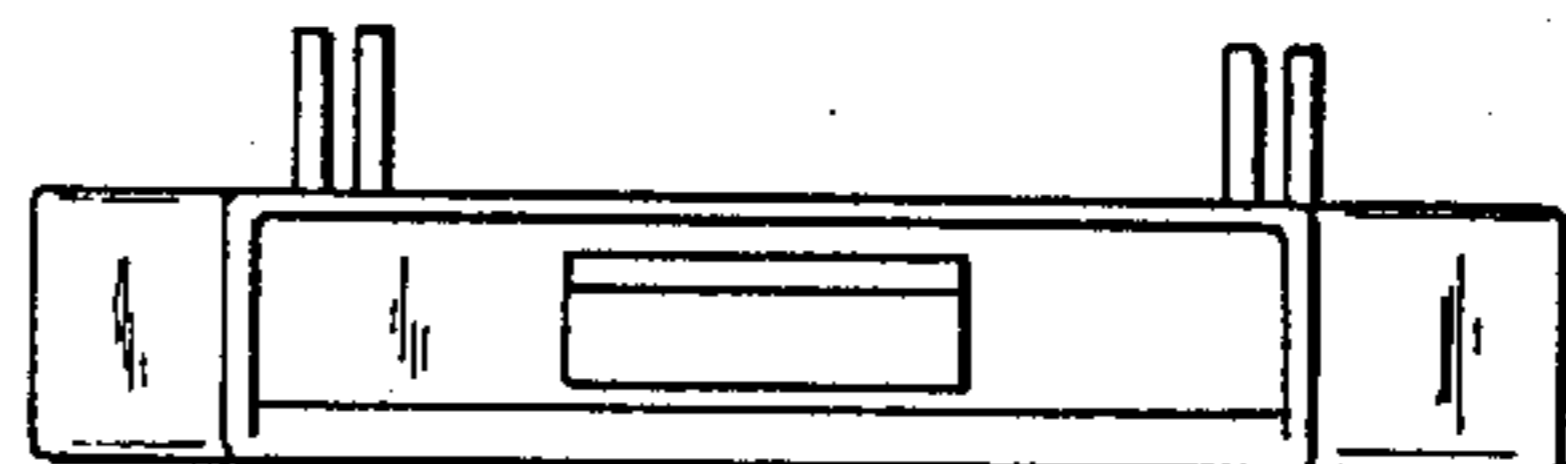


FIG. 9

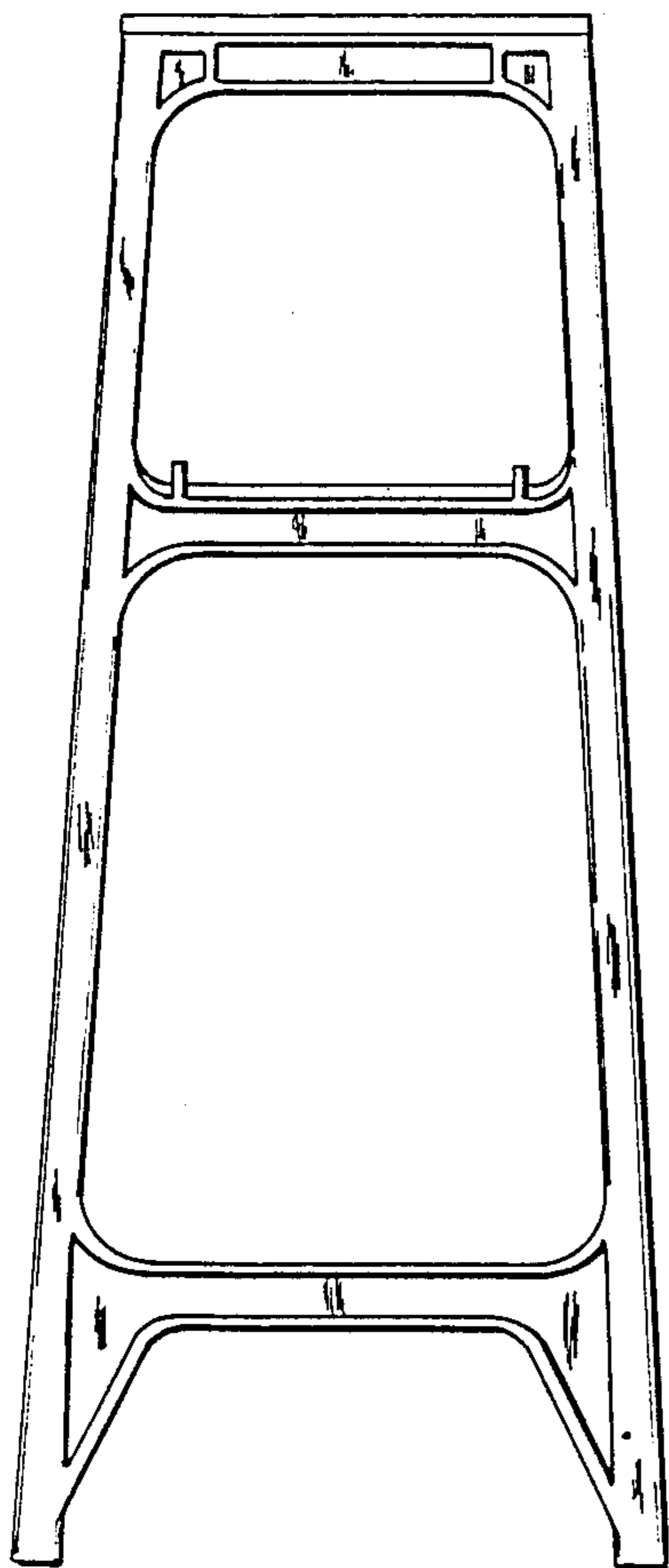


FIG. 10

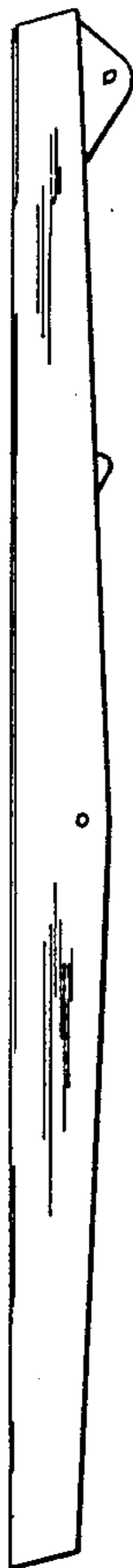


FIG. 11

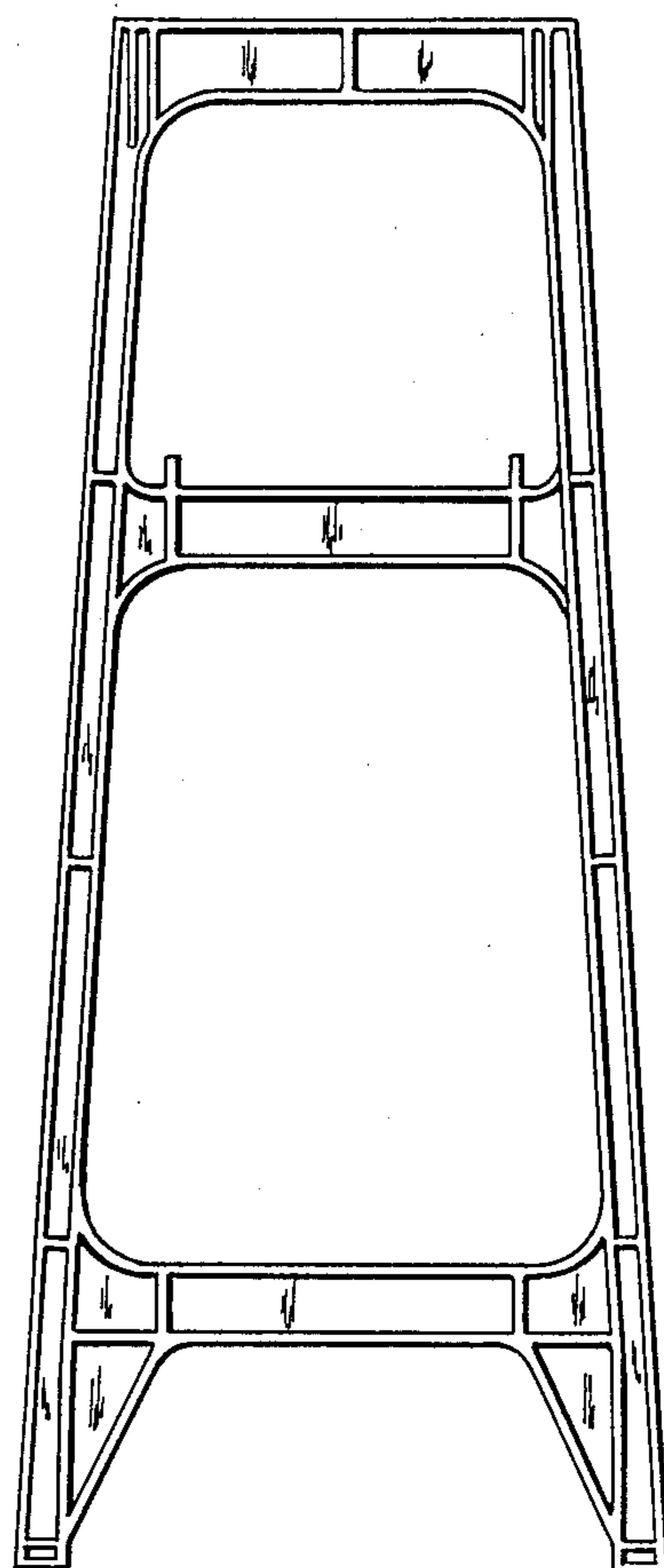


FIG. 12

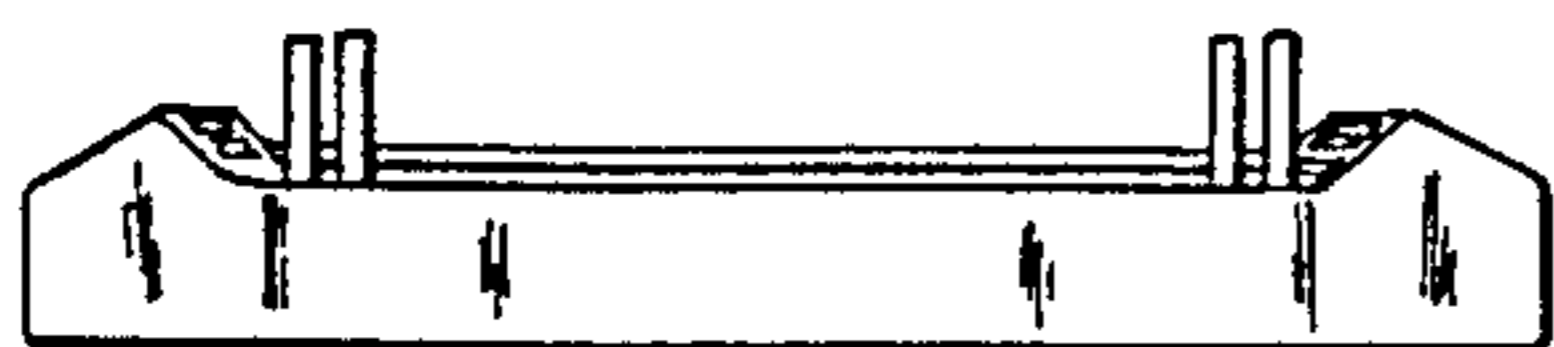


FIG. 13



FIG. 14

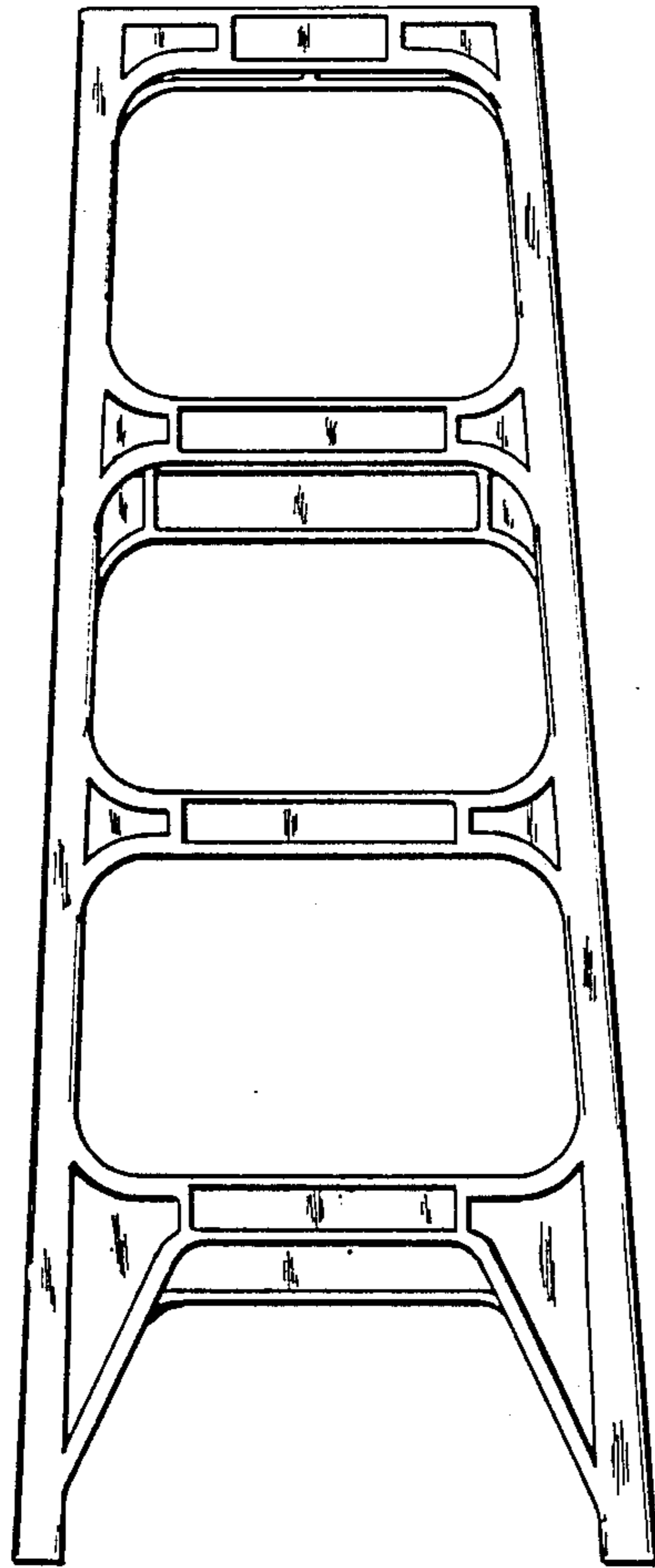


FIG. 15

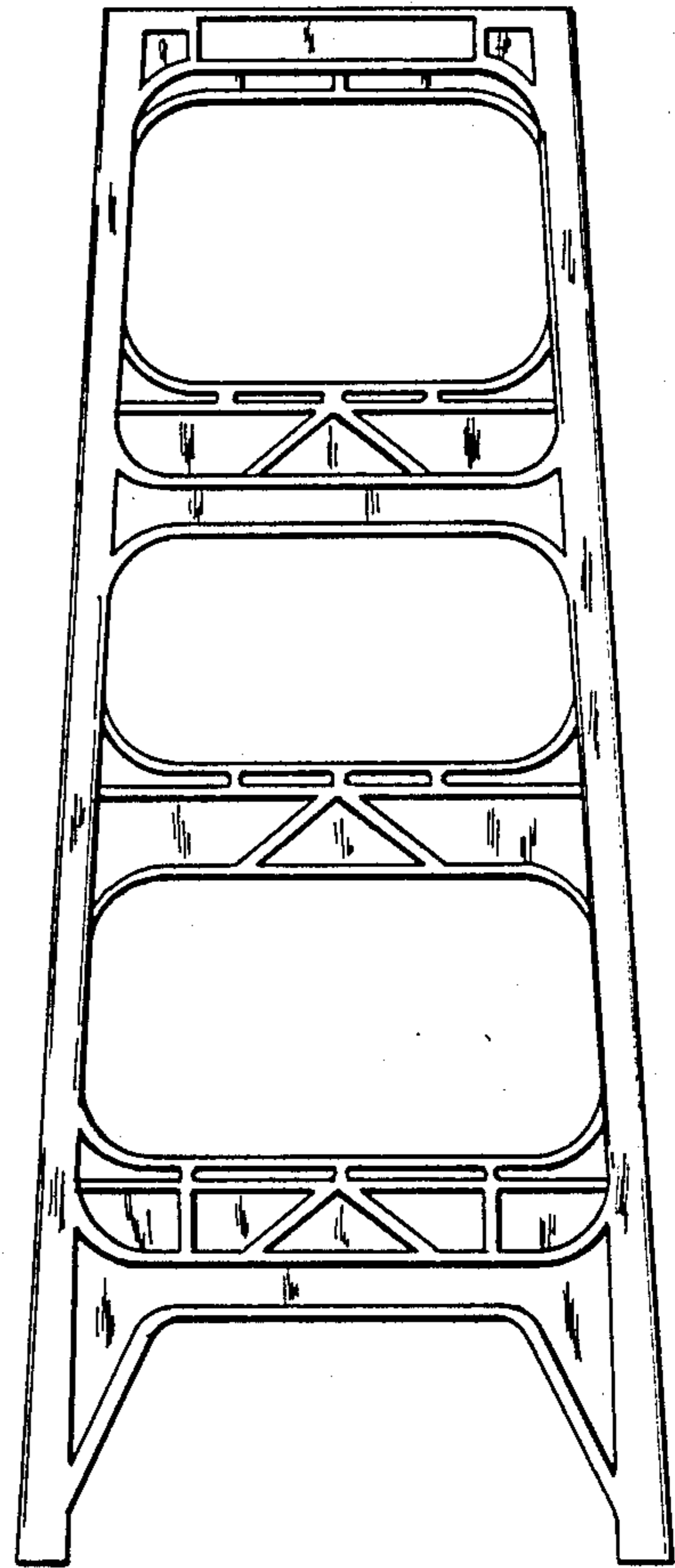


FIG. 16

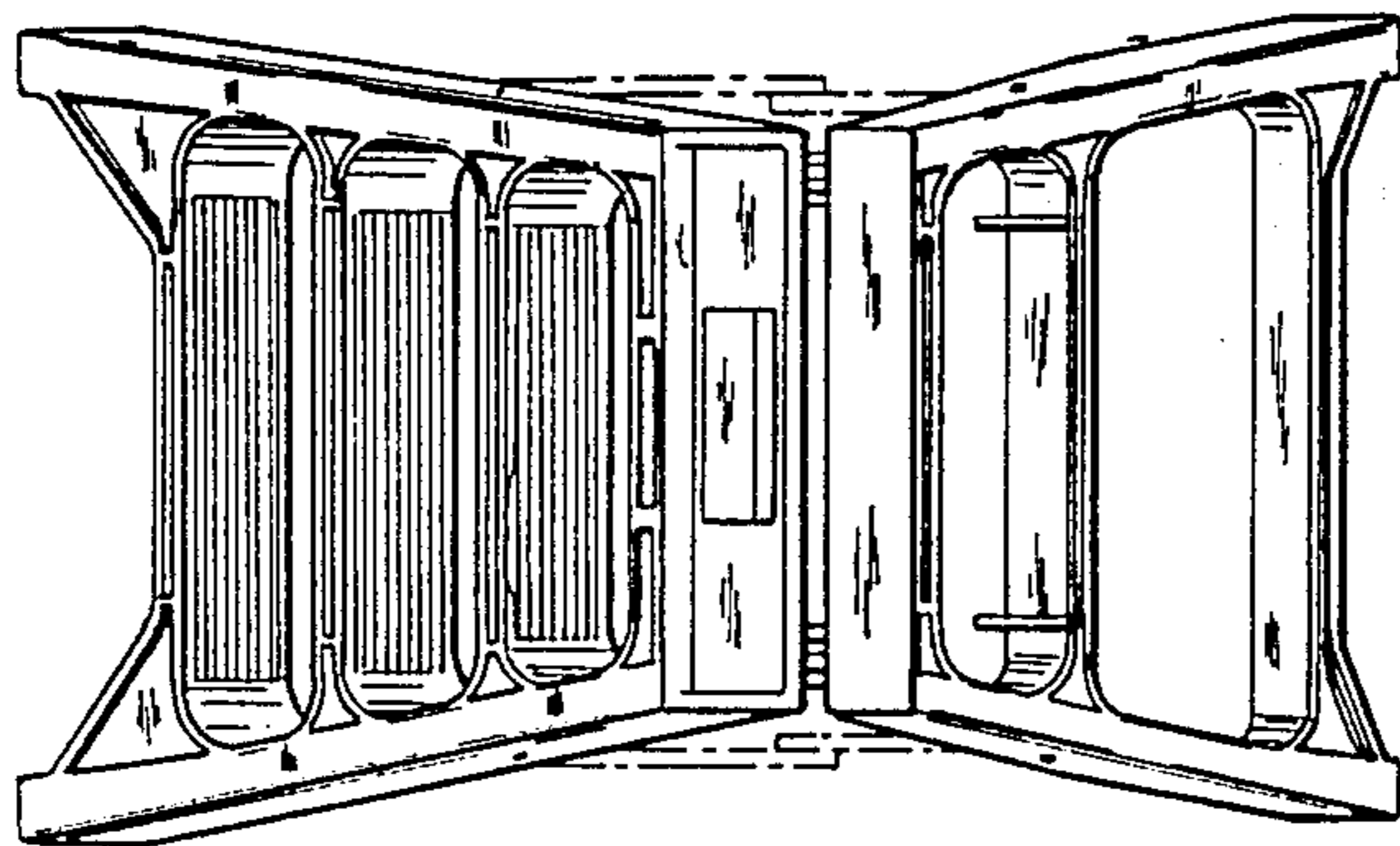


FIG. 17

