

[54] COMBINED VENTING VALVE AND  
COUPLING FOR MEDICAL DRAINAGE  
TUBES

4,160,383 7/1979 Rauschenberger ..... 604/323  
4,328,828 5/1982 Cianci ..... 128/768  
4,583,983 4/1986 Einhorn et al. .... 604/329

[75] Inventor: Joseph S. Tokarz, Palatine, Ill.

Primary Examiner—Wallace R. Burke  
Assistant Examiner—Stella M. Reid  
Attorney, Agent, or Firm—Tilton, Fallon, Lungmus

[73] Assignee: Hollister Incorporated, Libertyville,  
Ill.

[\*\*] Term: 14 Years

[57] CLAIM

[21] Appl. No.: 892,797

The ornamental design for a combined venting valve  
and coupling for medical drainage tubes, as shown and  
described.

[22] Filed: Aug. 4, 1986

DESCRIPTION

[52] U.S. Cl. .... D24/53

[58] Field of Search ..... D24/51, 53; 604/329,  
604/295, 323-326, 350, 351, 129, 128, 327-331,  
335, 347-349; 128/768, 760, 761, 766;  
4/144.1-144.4

FIG. 1 is a front elevational view of a combined venting  
valve and coupling for medical drainage tubes, showing  
my new design;

FIG. 2 is a top plan view thereof;

FIG. 3 is a bottom plan view thereof;

FIG. 4 is a side elevational view thereof, the opposite  
being identical thereto;

FIG. 5 is a perspective view thereof; and

FIG. 6 is an enlarged fragmentary perspective view  
showing details of the vent portion.

[56] References Cited

U.S. PATENT DOCUMENTS

3,529,599 9/1970 Folkman et al. .... 604/350  
3,830,241 8/1974 Dye et al. .... 604/129

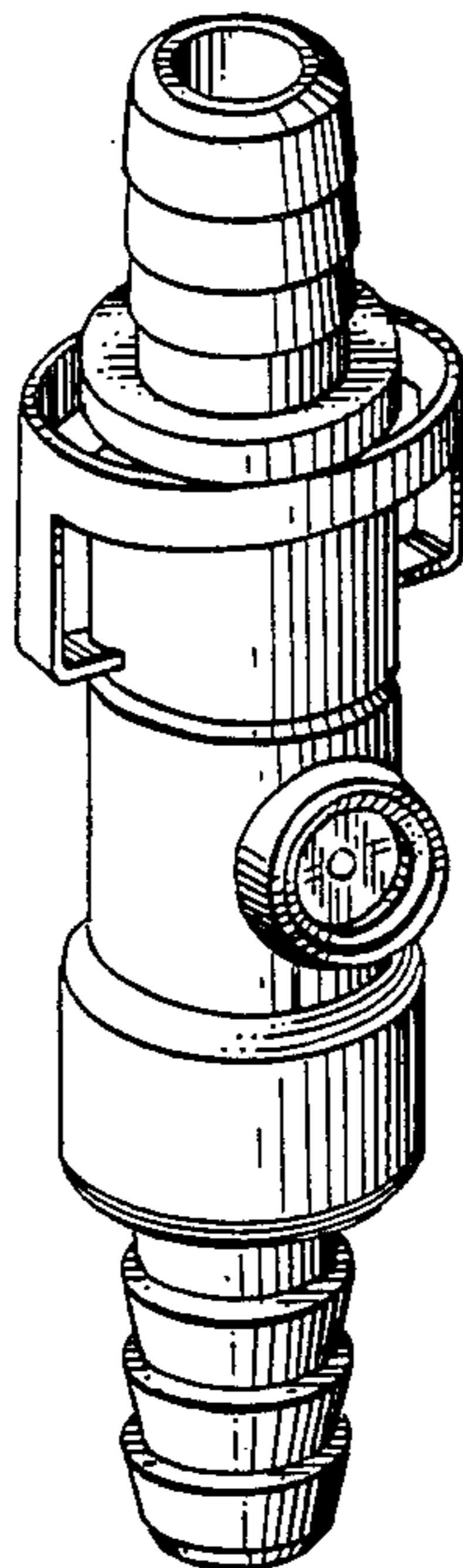


FIG. 2

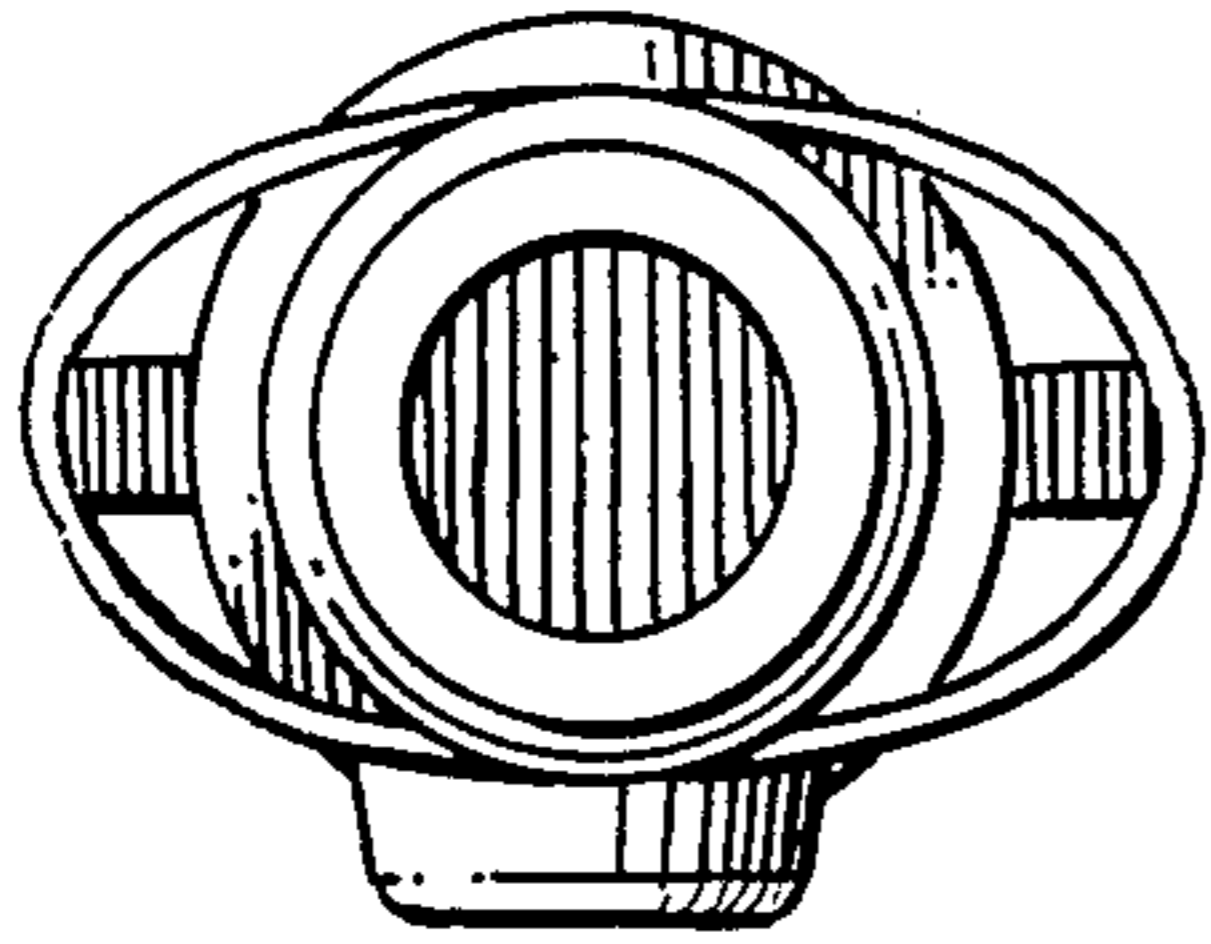


FIG. 1

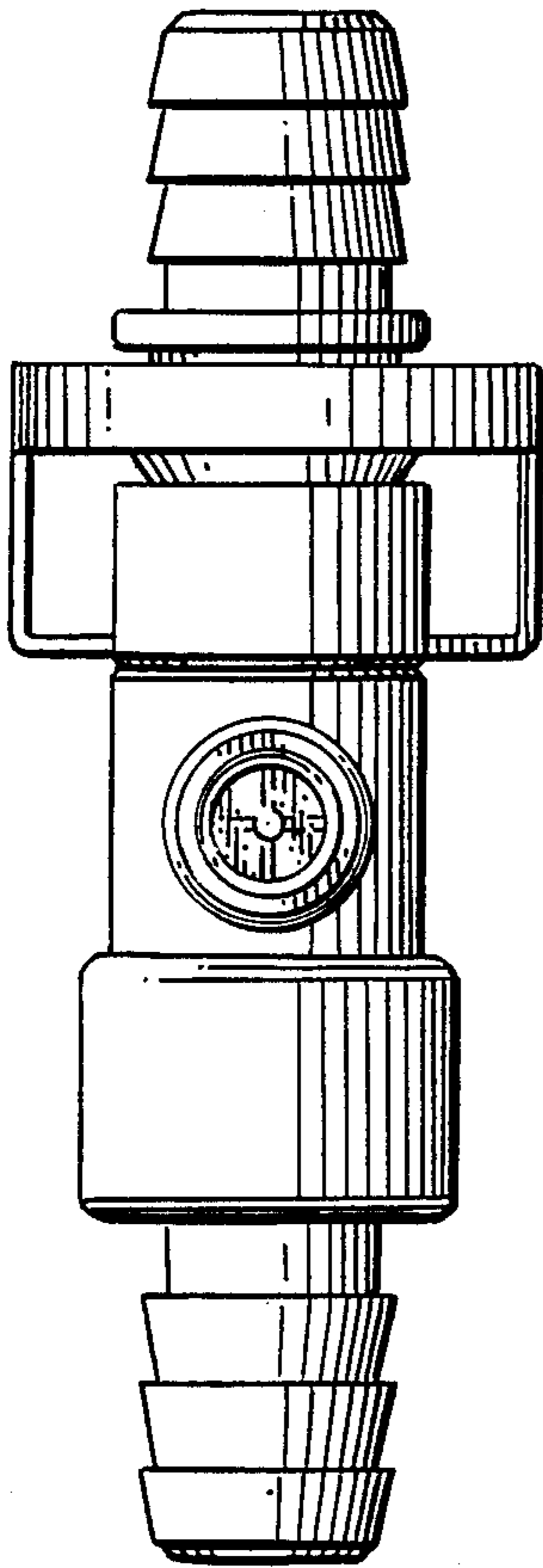


FIG. 4

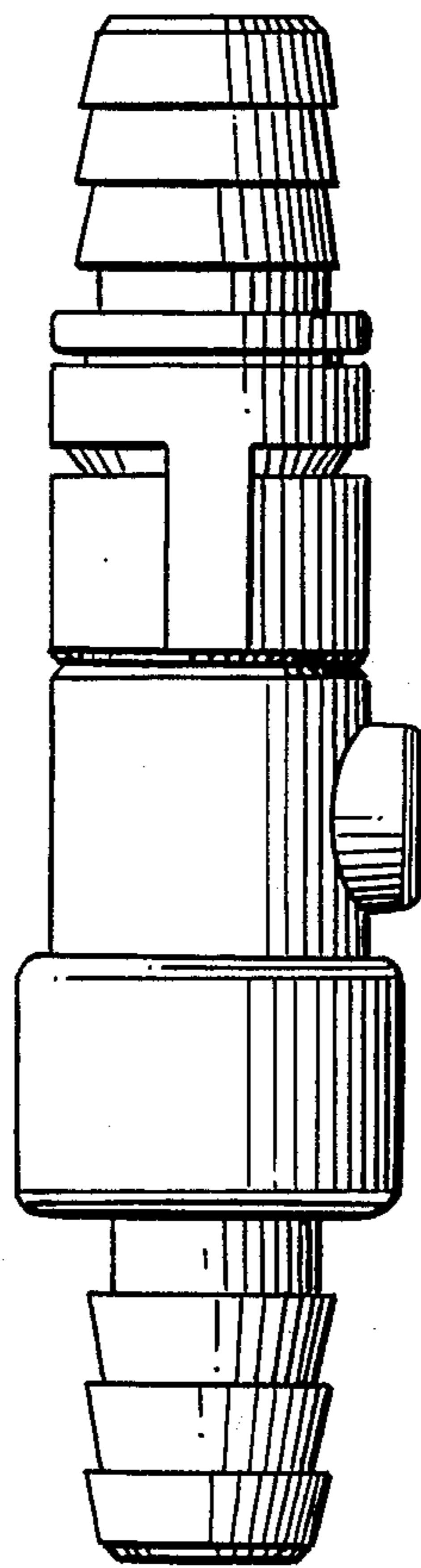


FIG. 5

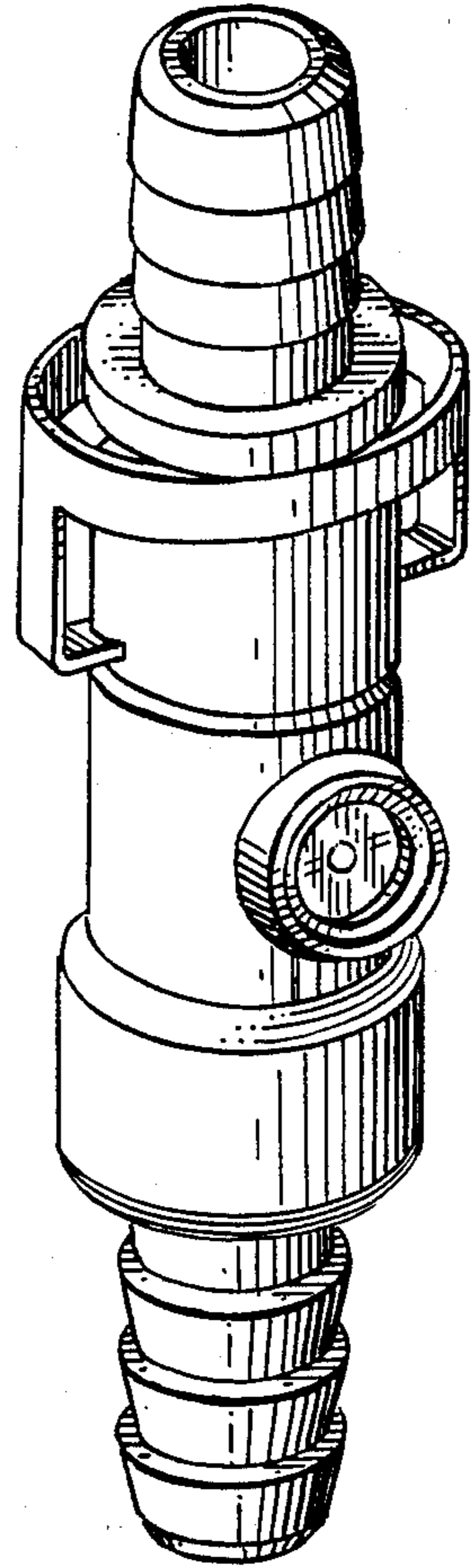


FIG. 3

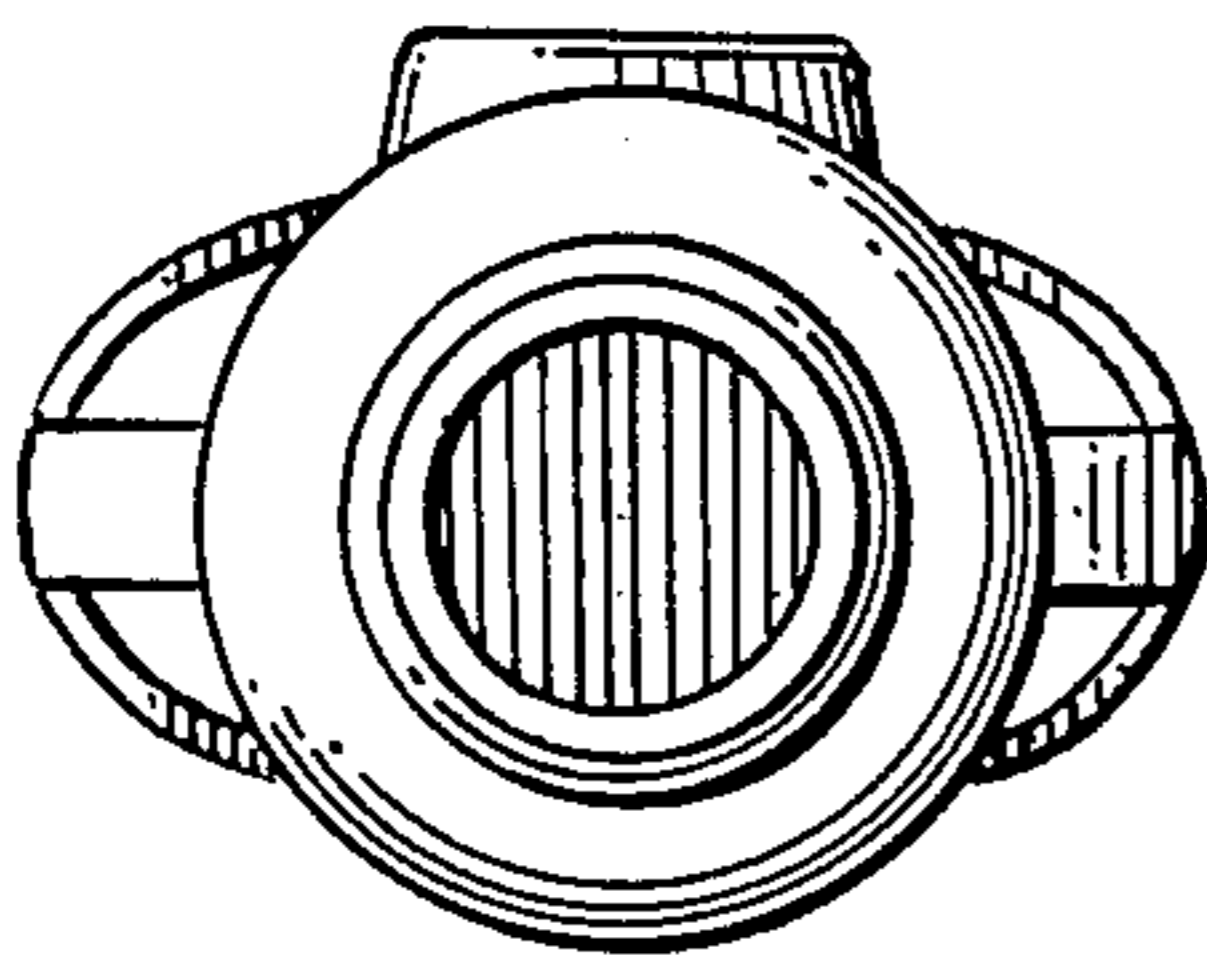


FIG. 6

