

[54] FREE STANDING FIREPLACE

[75] Inventors: Duncan C. Syme, Norwich; Vance R. Smith, Brookfield, both of Vt.

[73] Assignee: Vermont Castings, Inc., Randolph, Vt.

[**] Term: 14 Years

[21] Appl. No.: 25,787

[22] Filed: Mar. 13, 1987

[52] U.S. Cl. D23/346; D23/350

[58] Field of Search D23/314, 342-347, D23/350; 126/120-122, 126, 138-143, 190, 200

[56] References Cited

U.S. PATENT DOCUMENTS

- D. 238,364 1/1976 Kategianis D23/344
- D. 276,457 11/1984 Heger D23/343
- D. 286,321 10/1986 Catry D23/346

OTHER PUBLICATIONS

U.S. Stove Company brochure (1980)—Franklin Fireplace Model 261.

Primary Examiner—Wallace R. Burke

Assistant Examiner—Brian N. Vinson

Attorney, Agent, or Firm—Wolf, Greenfield & Sacks

[57] CLAIM

The ornamental design for a free standing fireplace, as shown and described.

DESCRIPTION

FIG. 1 is a top perspective view of a free standing fireplace showing our new design;
 FIG. 2 is a front elevational view thereof;
 FIG. 3 is a right side elevational view thereof, the left side being a mirror image of that shown;
 FIG. 4 is a top plan view thereof;
 FIG. 5 is a rear elevational view thereof;
 FIG. 6 is a bottom plan view thereof; and,
 FIG. 7 is an alternate embodiment thereof, with the glass doors shown removed, the only difference residing in the substitution of a griddle element for the top flue collar.

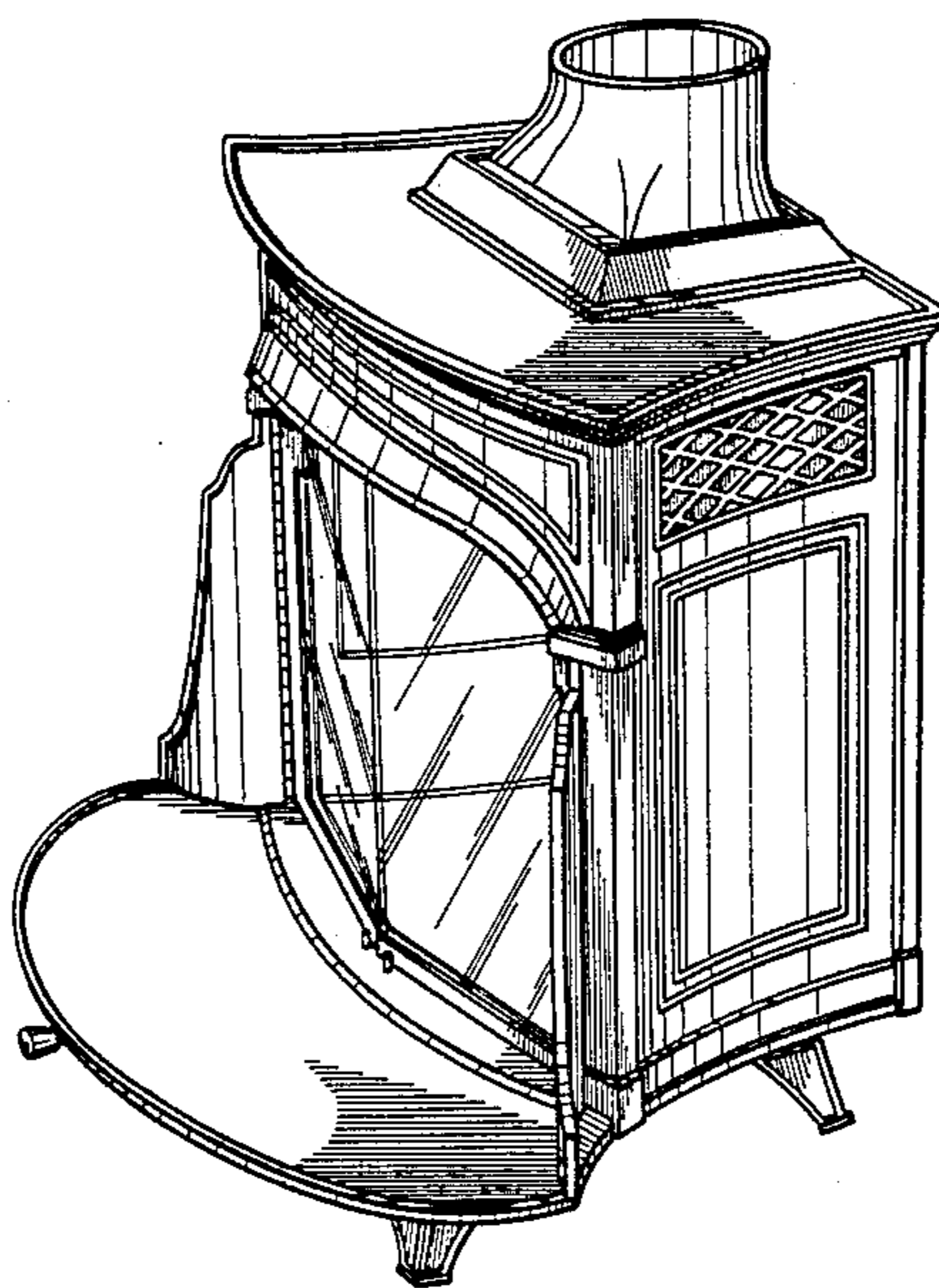


Fig. 1

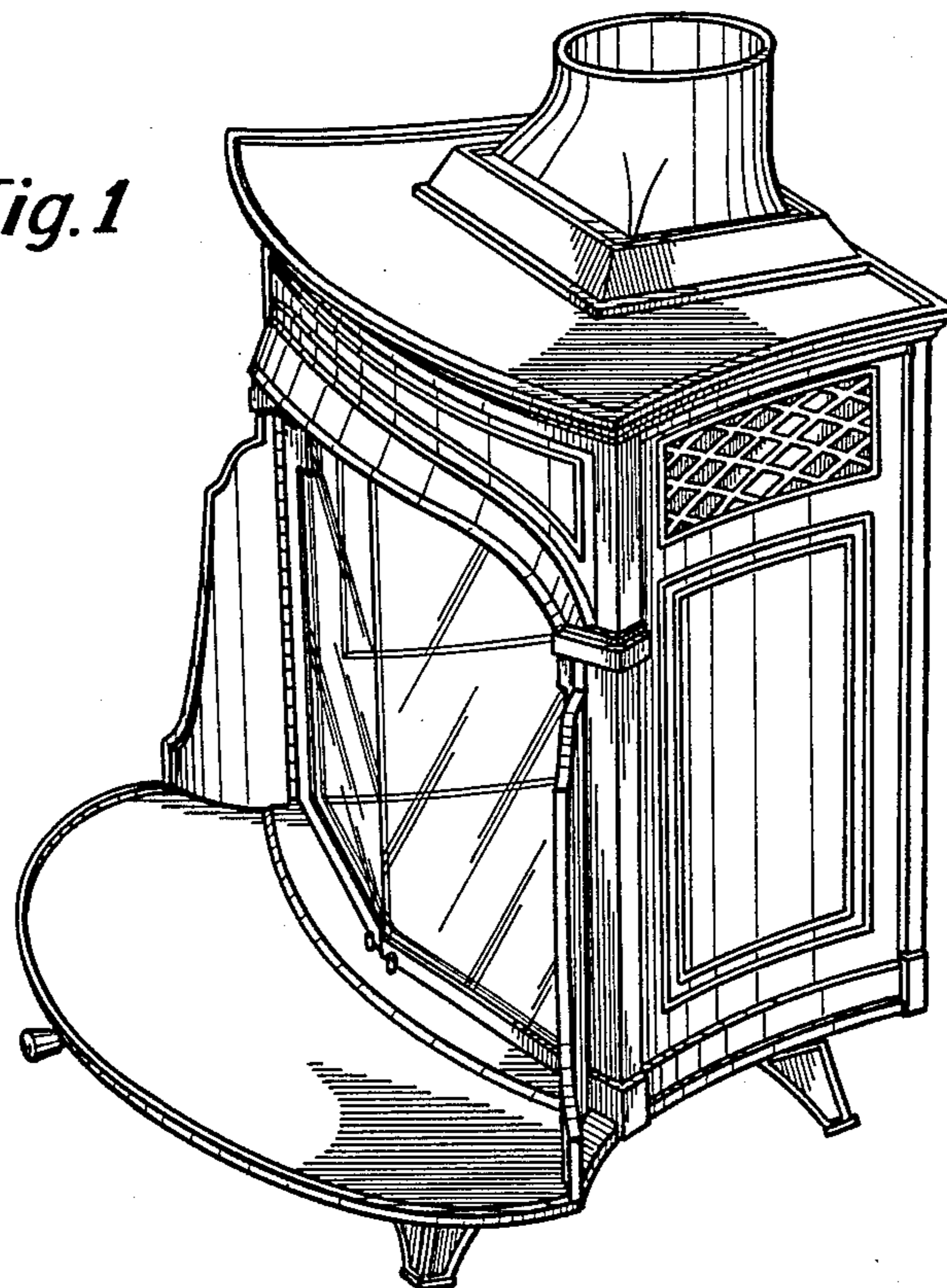


Fig. 2

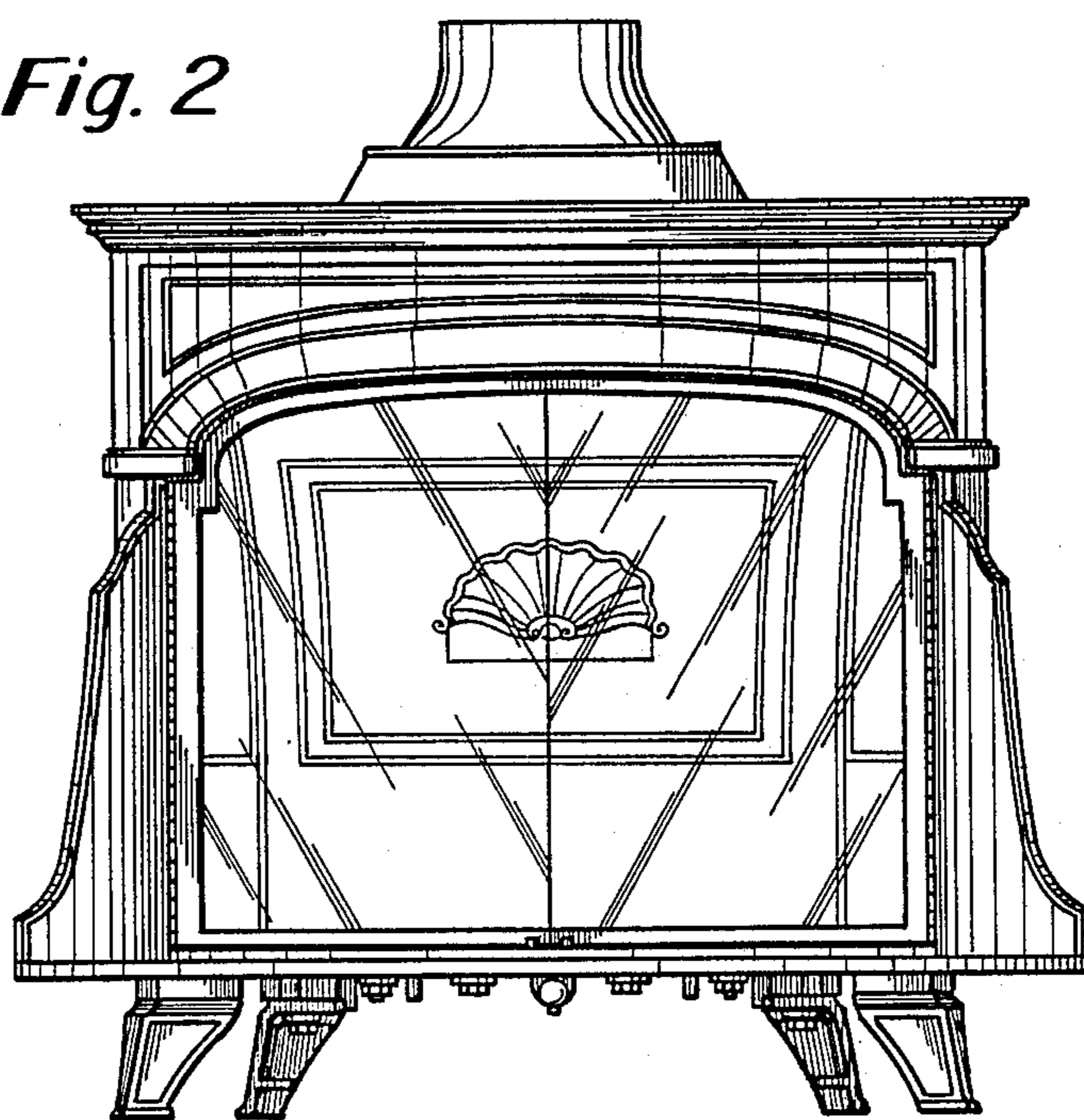


Fig. 3

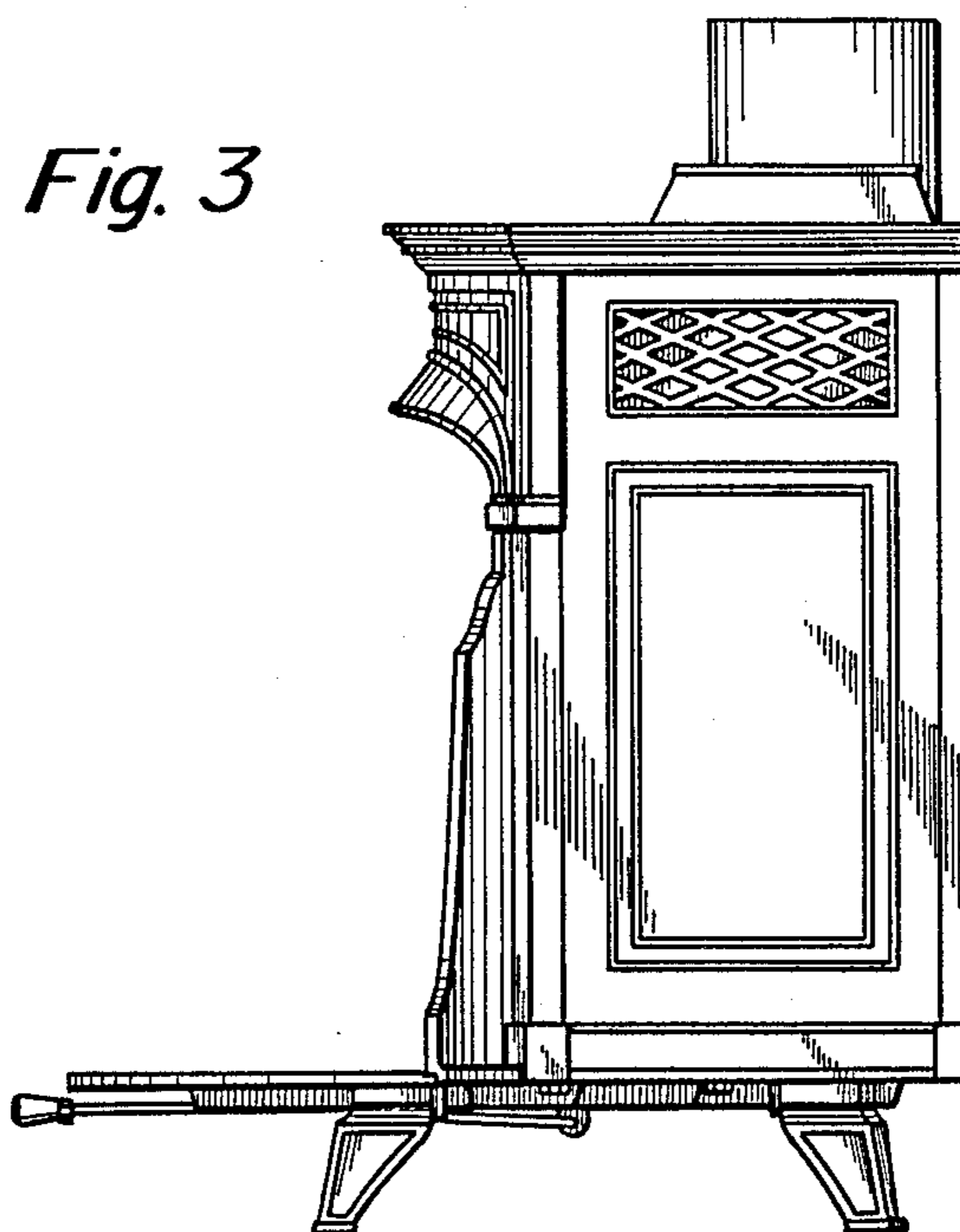


Fig. 4

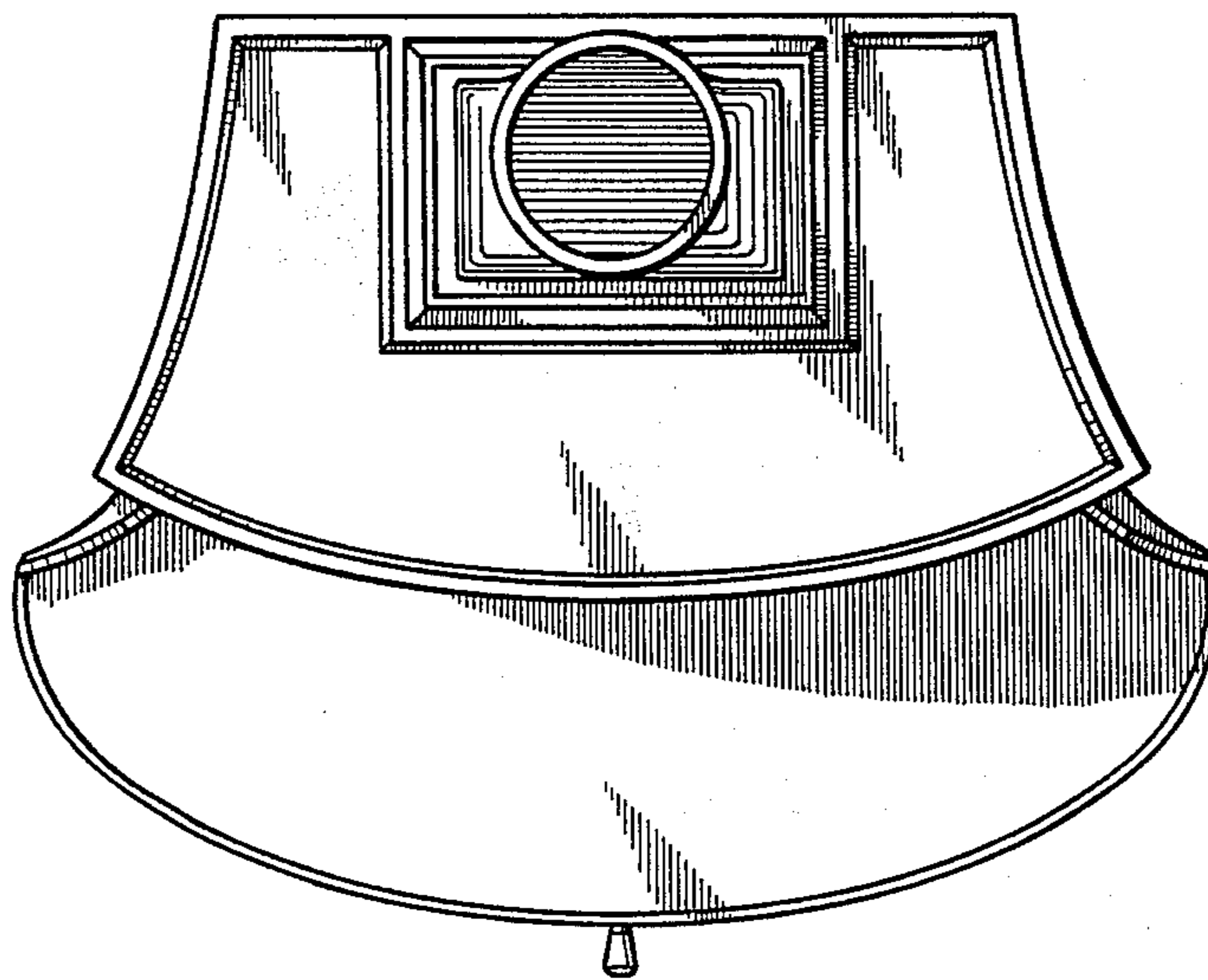


Fig. 5

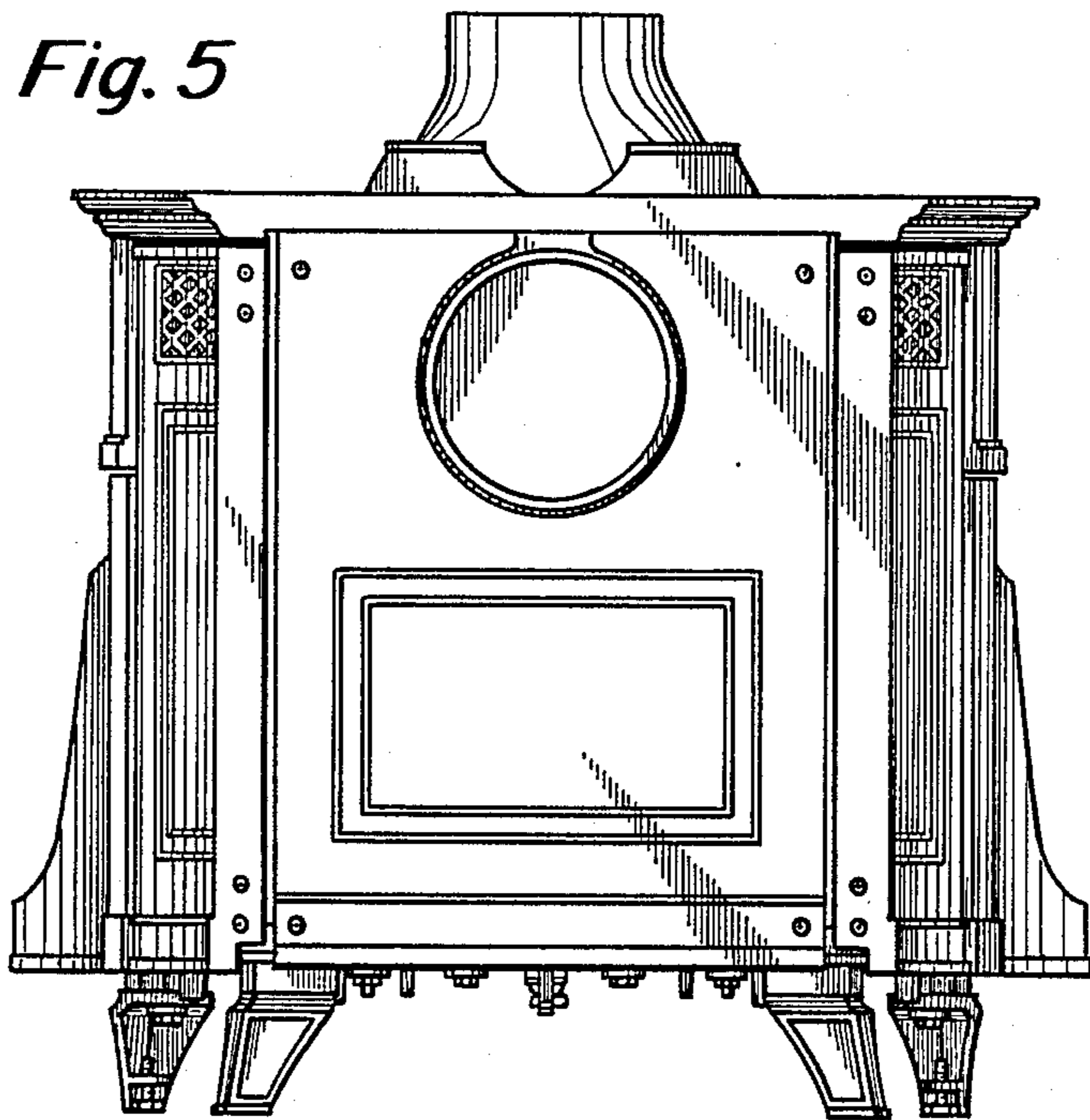


Fig. 6

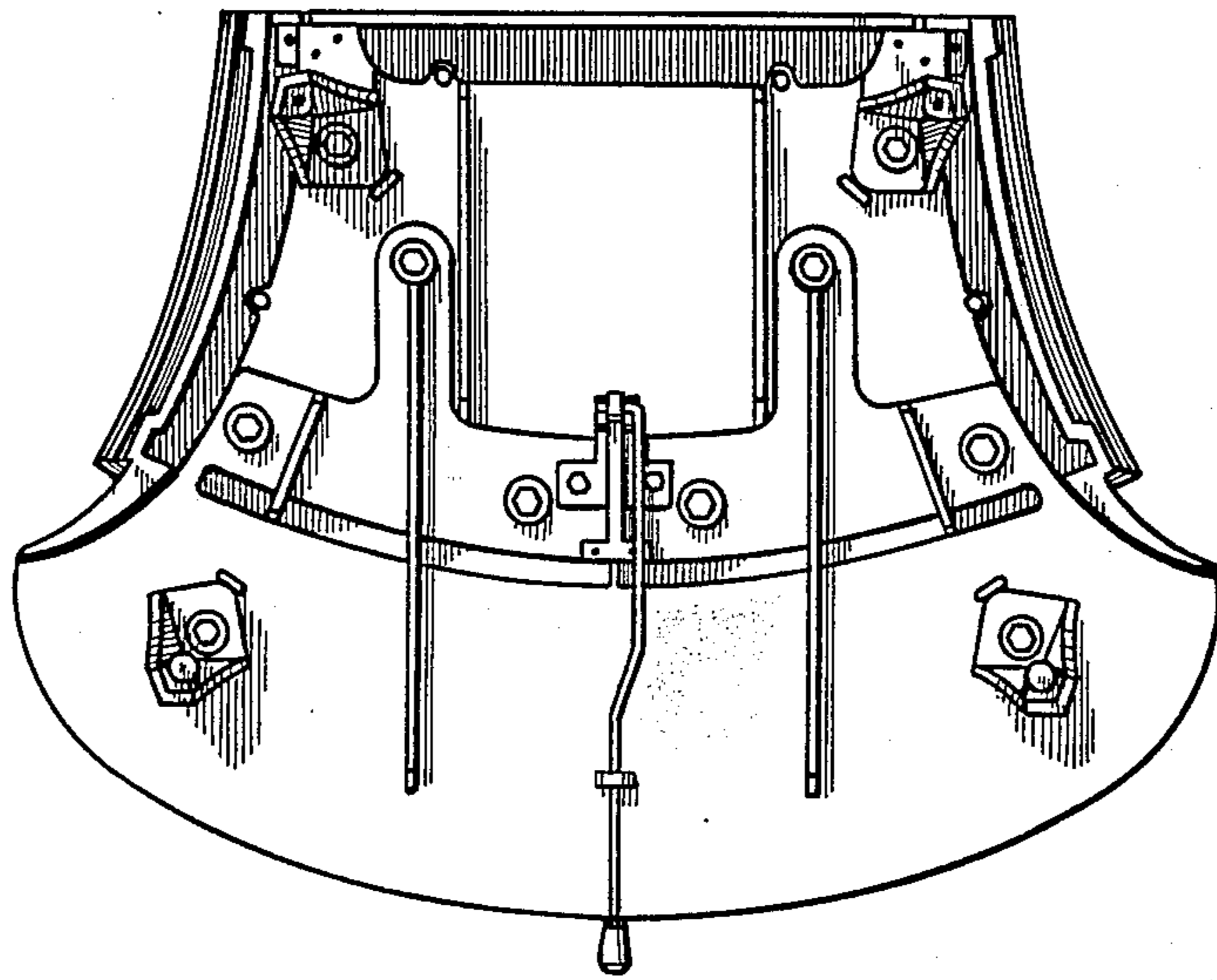


Fig. 7

