

United States Patent [19]

Robbins

[11] Patent Number: **Des. 300,347**

[45] Date of Patent: **** Mar. 21, 1989**

[54] FISH NET

[76] Inventor: **Dave A. Robbins, 3518 Danbury Rd.,
Fairfield, Ohio 45014**

[**] Term: **14 Years**

[21] Appl. No.: **888,836**

[22] Filed: **Jul. 24, 1986**

[52] U.S. Cl. **D22/135; D22/136**

[58] Field of Search **D22/119, 134, 136, 135;
43/7, 5, 11**

[56] **References Cited**

U.S. PATENT DOCUMENTS

D. 57,862 5/1921 Roberts D7/47
D. 143,105 12/1945 Zabel .
D. 228,495 10/1973 Hirooka .

D. 249,621 9/1978 Ondrasik D7/47
156,488 11/1874 Males .
2,174,577 10/1939 Friedman 210/161
2,921,397 1/1960 Lutbi 43/7
3,191,337 6/1965 Fant D22/136 X
4,292,753 10/1981 Yesuratnam 43/7 X
4,706,407 11/1987 Molton D22/119 X

Primary Examiner—A. Hugo Word

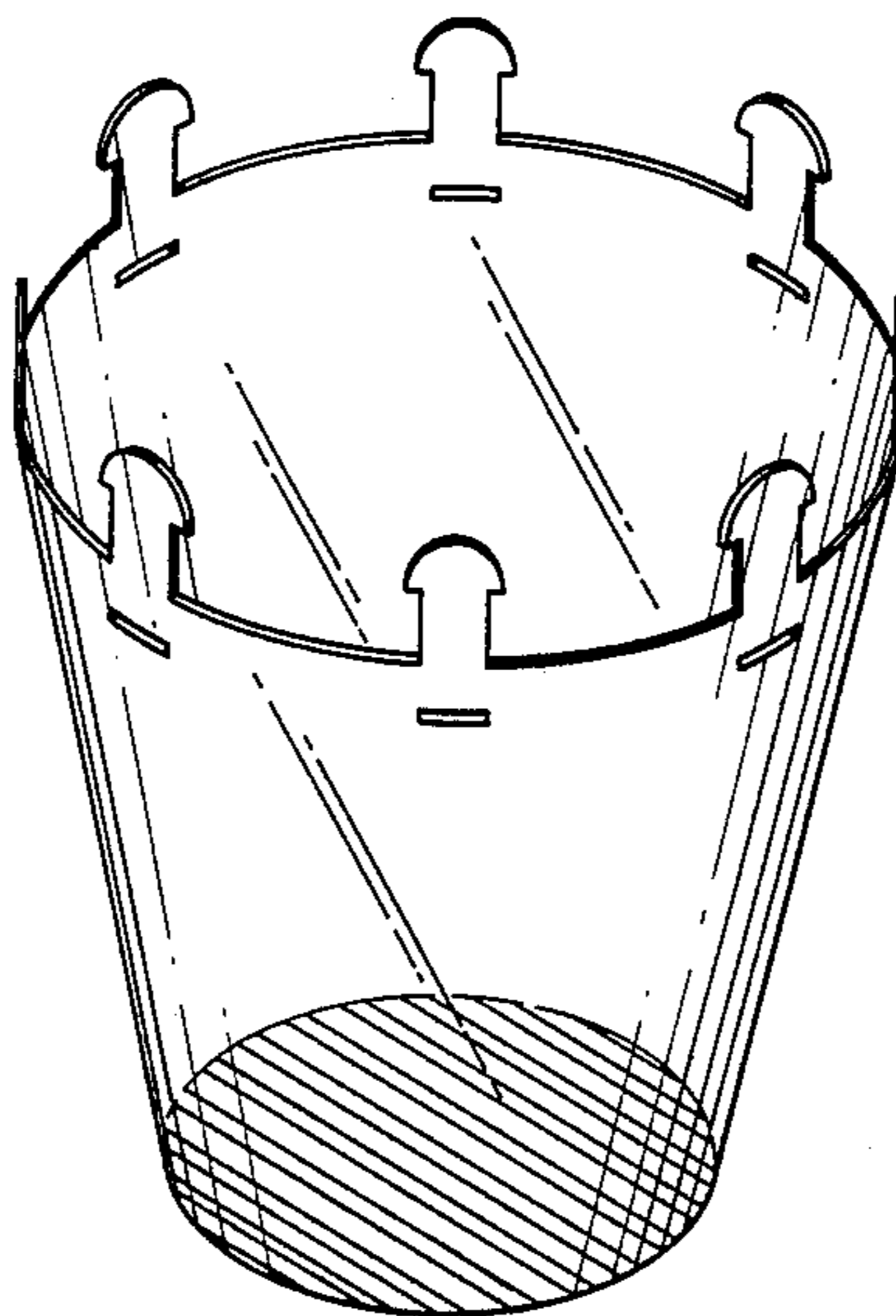
Attorney, Agent, or Firm—Terry M. Gernstein

[57] **CLAIM**

The ornamental design for a fish net, as shown and described.

DESCRIPTION

FIG. 1 is a top perspective view of a fish net showing my new and ornamental design;
FIG. 2 is a bottom perspective view thereof.



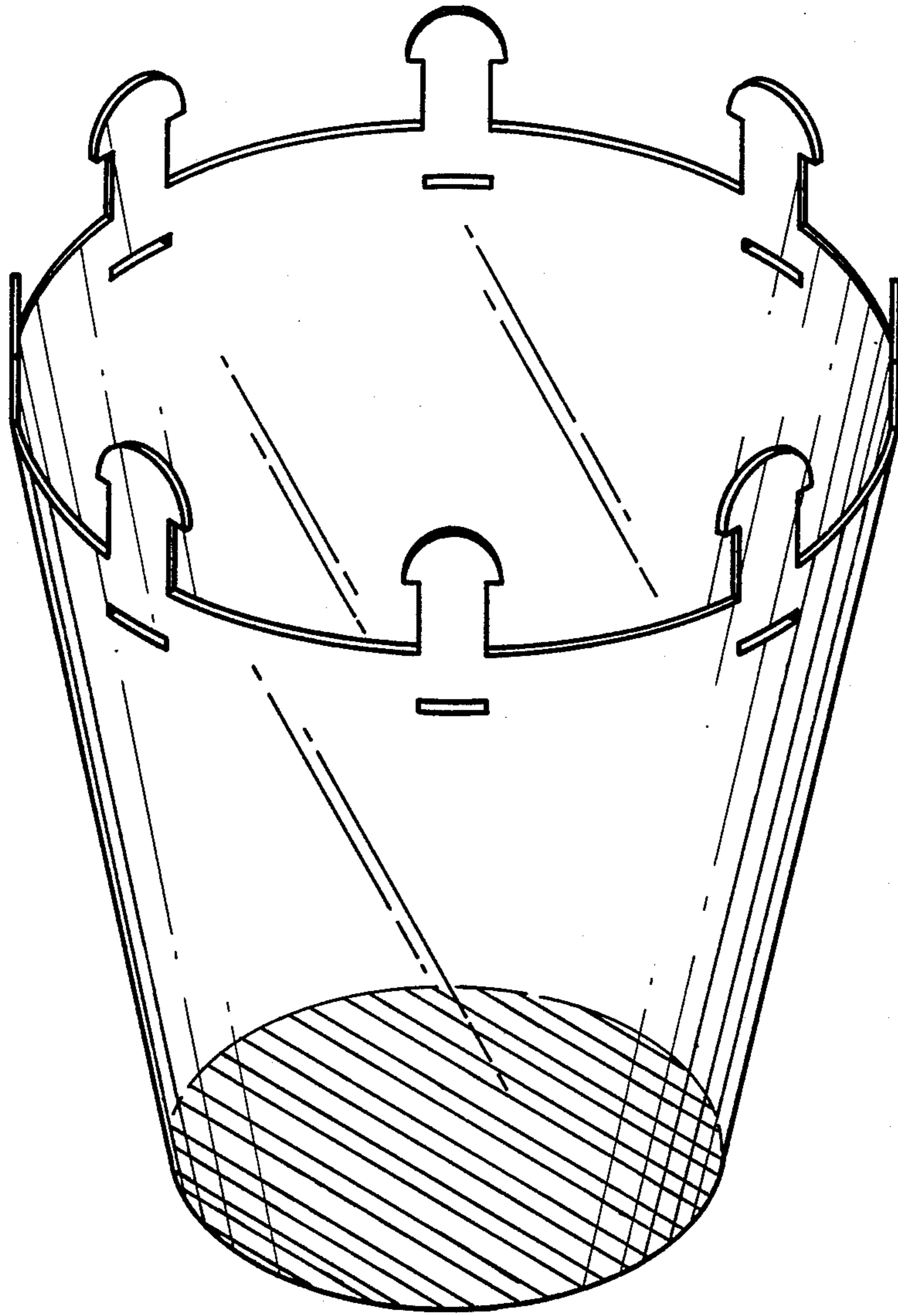


Fig. 1

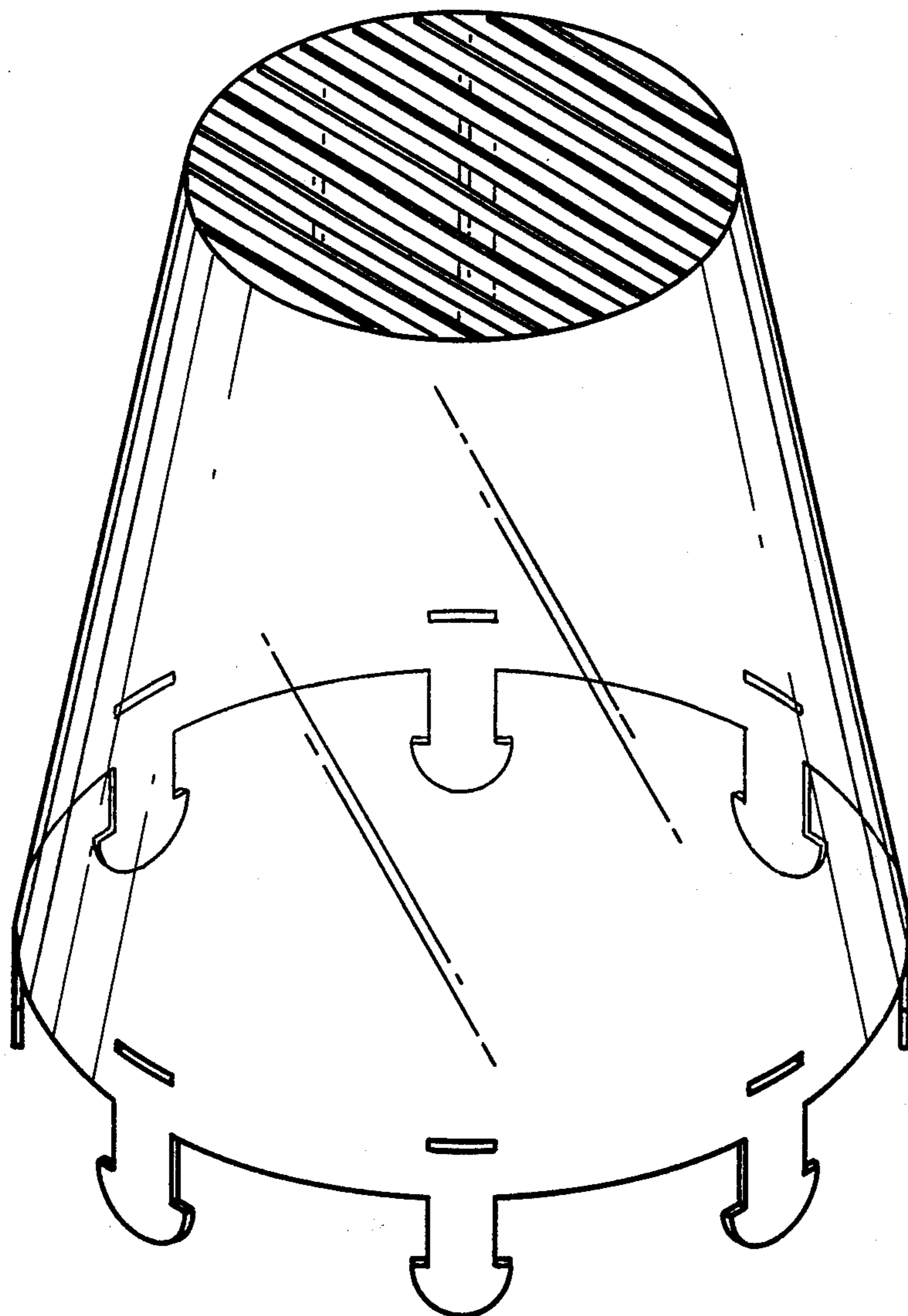


Fig. 2