

[54] PLAYGROUND CLIMBER AND ROCKER

[76] Inventor: Frank W. Beatty, 5289 Forest Springs Dr., Dunwoody, Ga. 30338

[\*\*] Term: 14 Years

[21] Appl. No.: 847,564

[22] Filed: Mar. 31, 1986

[52] U.S. Cl. .... D21/245; D21/251

[58] Field of Search ..... D21/242, 243, 244, 245, D21/246, 193, 251; 272/113, 56.5, 56

[56] References Cited

U.S. PATENT DOCUMENTS

1,493,882	11/1922	King	.....	D21/251
1,589,443	6/1924	Taylor	.....	D21/251
1,695,737	12/1928	Molsdale	.....	D21/251
2,768,828	12/1953	Pack	.....	272/113

3,261,605	3/1964	Smith	.....	272/113
3,544,125	8/1968	Unno	.....	272/113

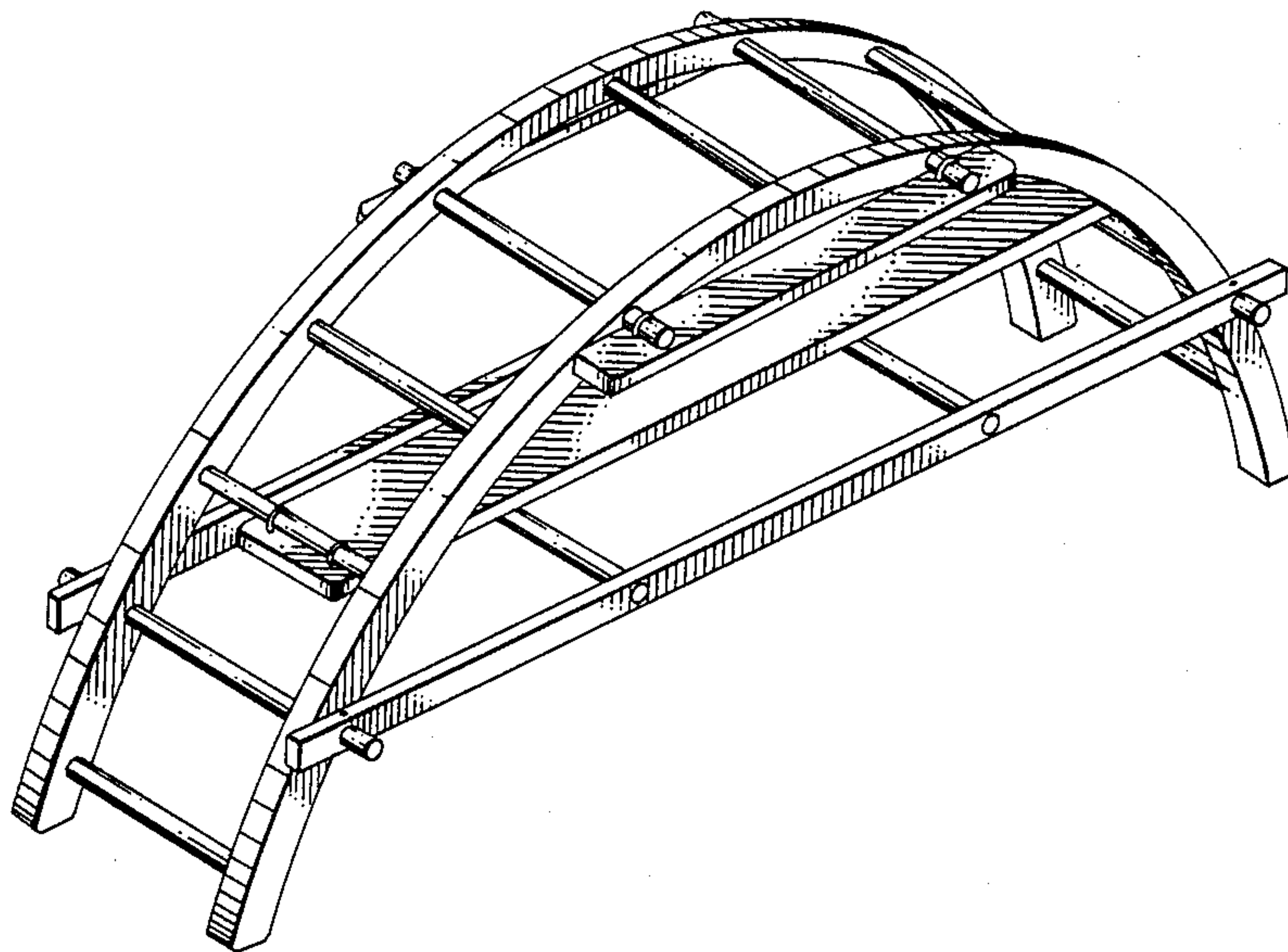
Primary Examiner—Bernard Ansher  
Assistant Examiner—L. J. Lieberman  
Attorney, Agent, or Firm—William M. Hobby, III

[57] CLAIM

The ornamental design for a playground climber and rocker, as shown.

DESCRIPTION

FIG. 1 is a top perspective view of a playground climber and rocker showing my new design; FIG. 2 is a top plan view thereof; FIG. 3 is a bottom plan view; FIG. 4 is an end elevation. The playground climber as shown in FIG. 1 is turned over to become a playground rocker.



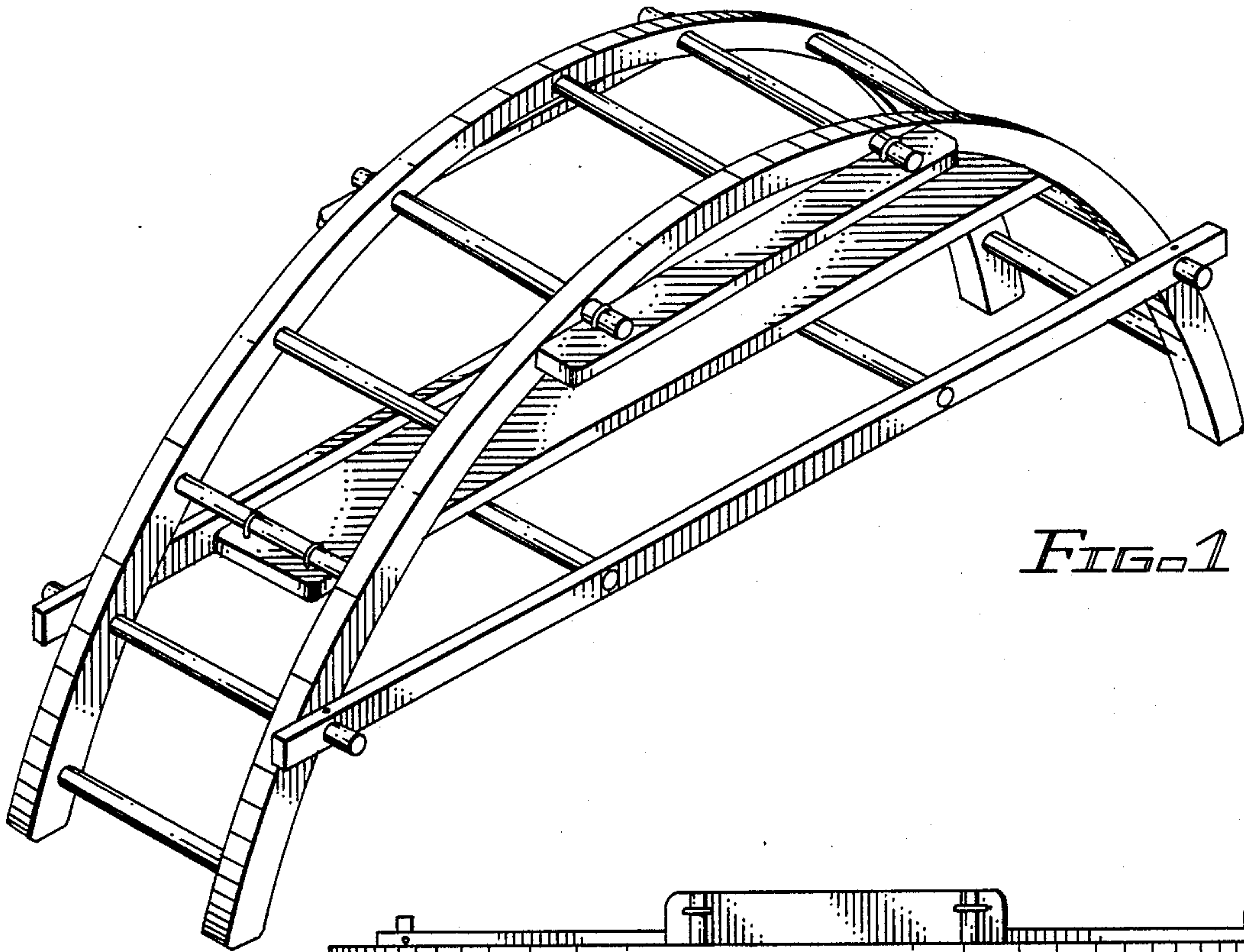


FIG. 1

FIG. 2

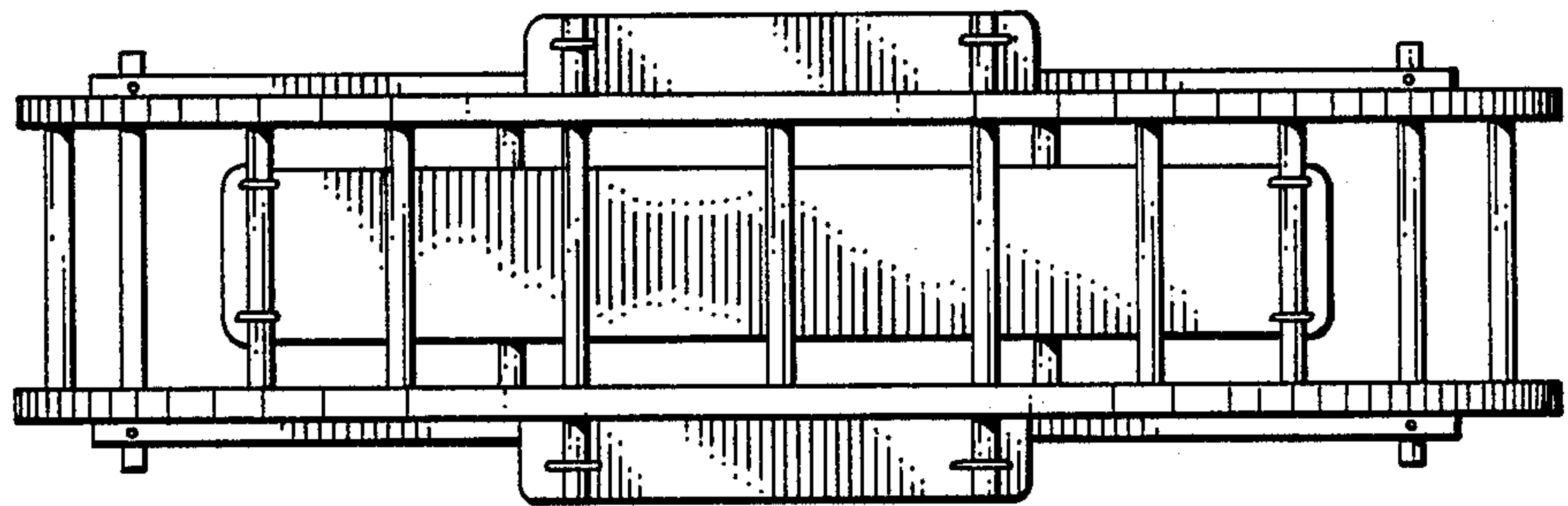


FIG. 3

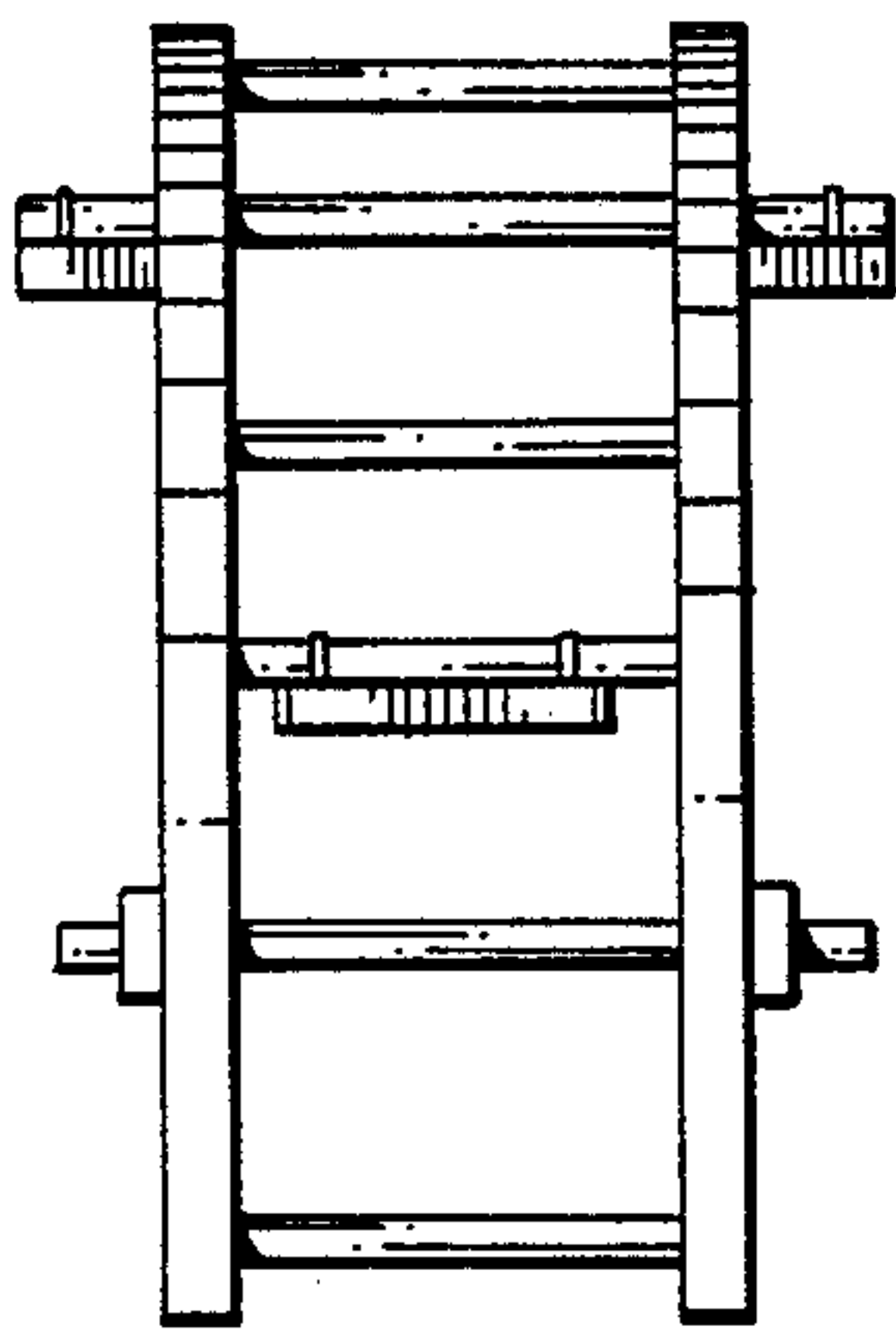
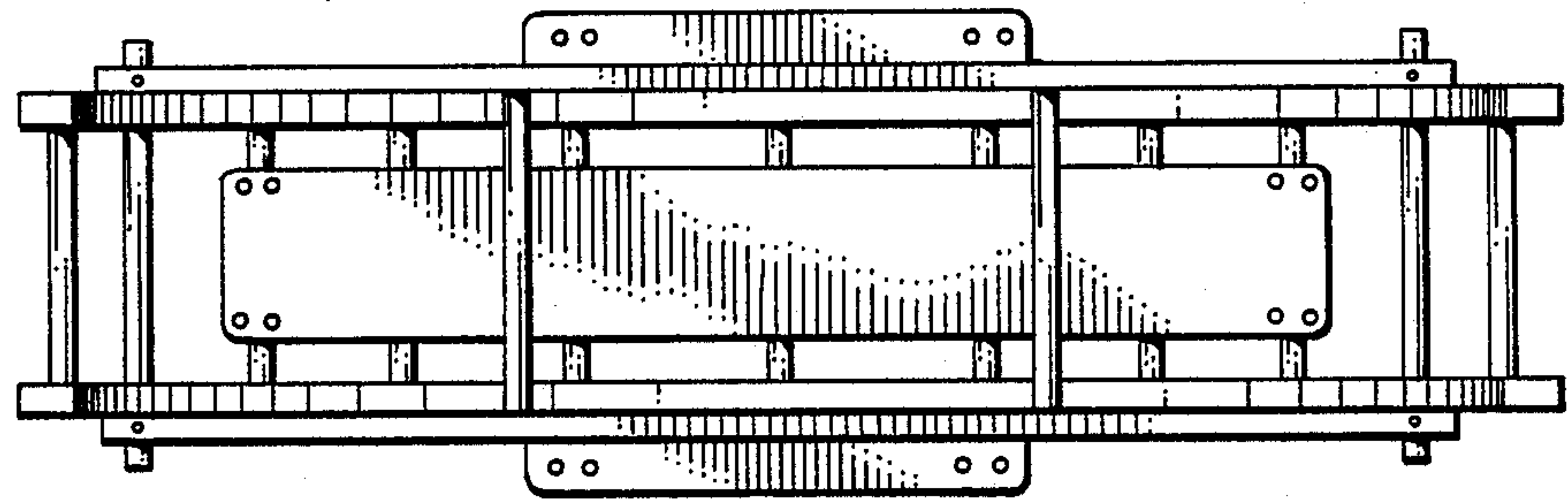


FIG. 4