

[54] **ABDOMINAL BOARD**
[76] **Inventor: Jerry D. Brentham, P.O. Box 599, Belton, Tex. 76513**
[**] **Term: 14 Years**
[21] **Appl. No.: 926,776**
[22] **Filed: Nov. 4, 1986**
[52] **U.S. Cl. D21/195**
[58] **Field of Search D21/191-199;**
272/93, 67, 117, 112, 125, 127, 130, 131, 134,
135, 136, 139, 142, 143, 144

[56] **References Cited**
U.S. PATENT DOCUMENTS
D. 239,306 3/1976 Clarke D21/195
2,405,024 7/1946 Eynon D21/191
4,183,520 1/1980 Chase 272/130
4,678,185 7/1987 Mahnke 272/118

OTHER PUBLICATIONS
Hydra-Fitness, Manual for Omnikinetic Training
Copyright 1983 by Hydra-Fitness Industries, Inc. Bel-

ton, Texas 76513, pp. 111-6 through III-8, Abdominal Board Series I-108.

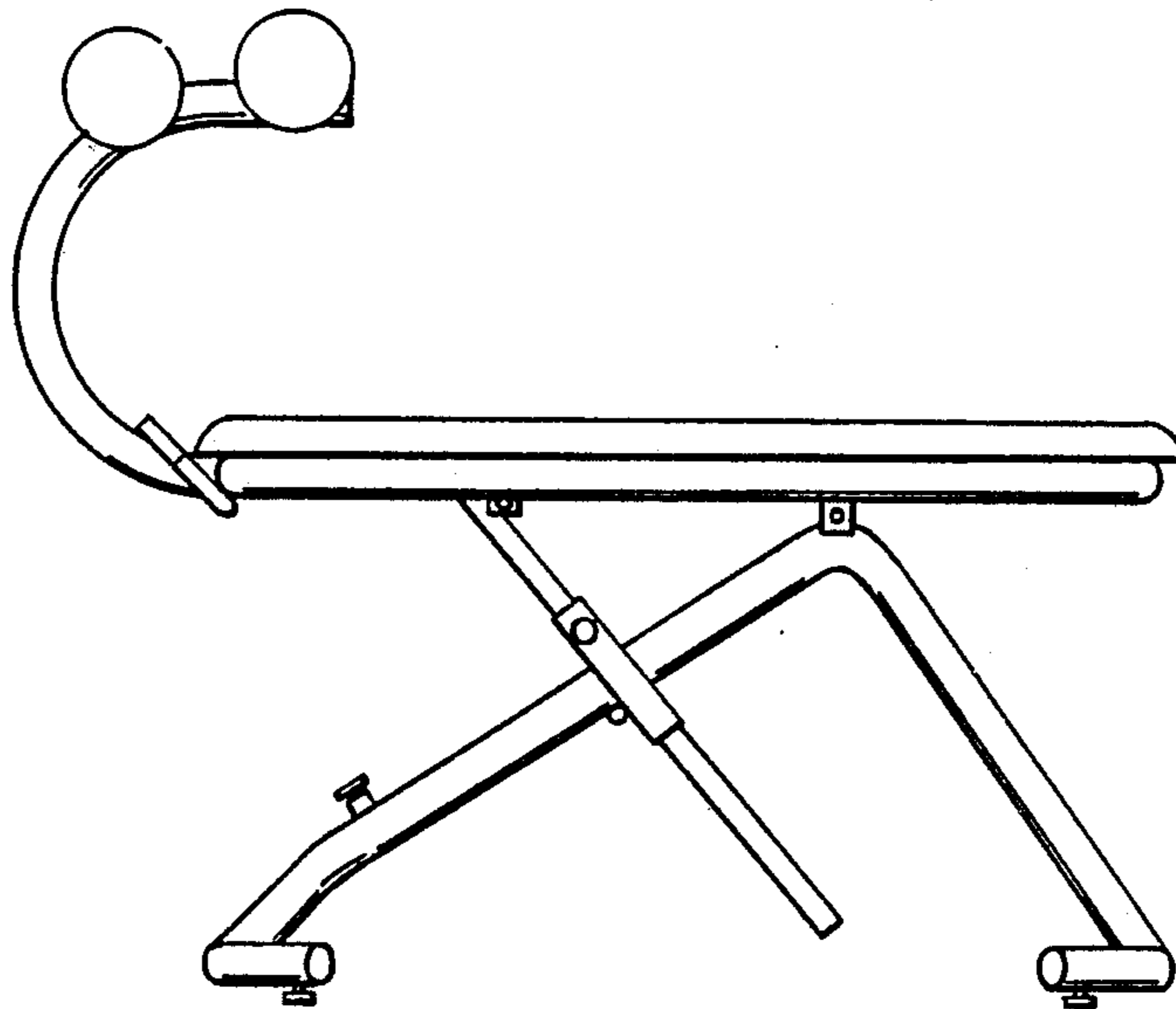
Primary Examiner—Charles A. Rademaker
Attorney, Agent, or Firm—Crutsinger & Booth

[57] **CLAIM**

The ornamental design for abdominal board, as shown and described.

DESCRIPTION

FIG. 1 is a top plan view of a abdominal board showing my new design;
FIG. 2 is a bottom plan view thereof;
FIG. 3 is a front elevational view thereof;
FIG. 4 is a rear elevational view thereof;
FIG. 5 is a left side elevational view thereof;
FIG. 6 is a right side elevational view thereof; and
FIG. 7 is a perspective view thereof showing the design in an alternate position, the broken lines represent the position of the board member as shown in FIG. 1 through 6.



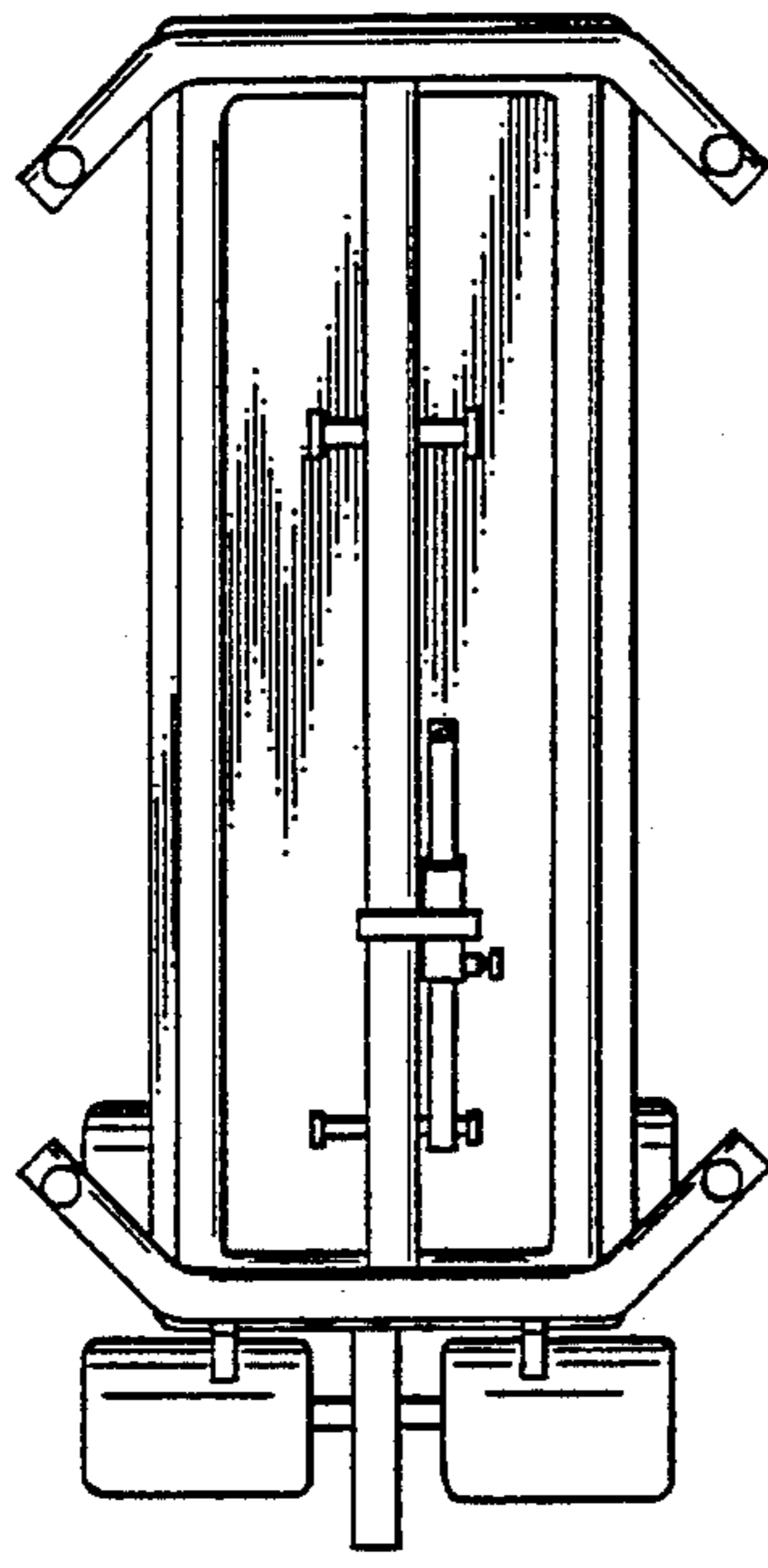


FIG. 2

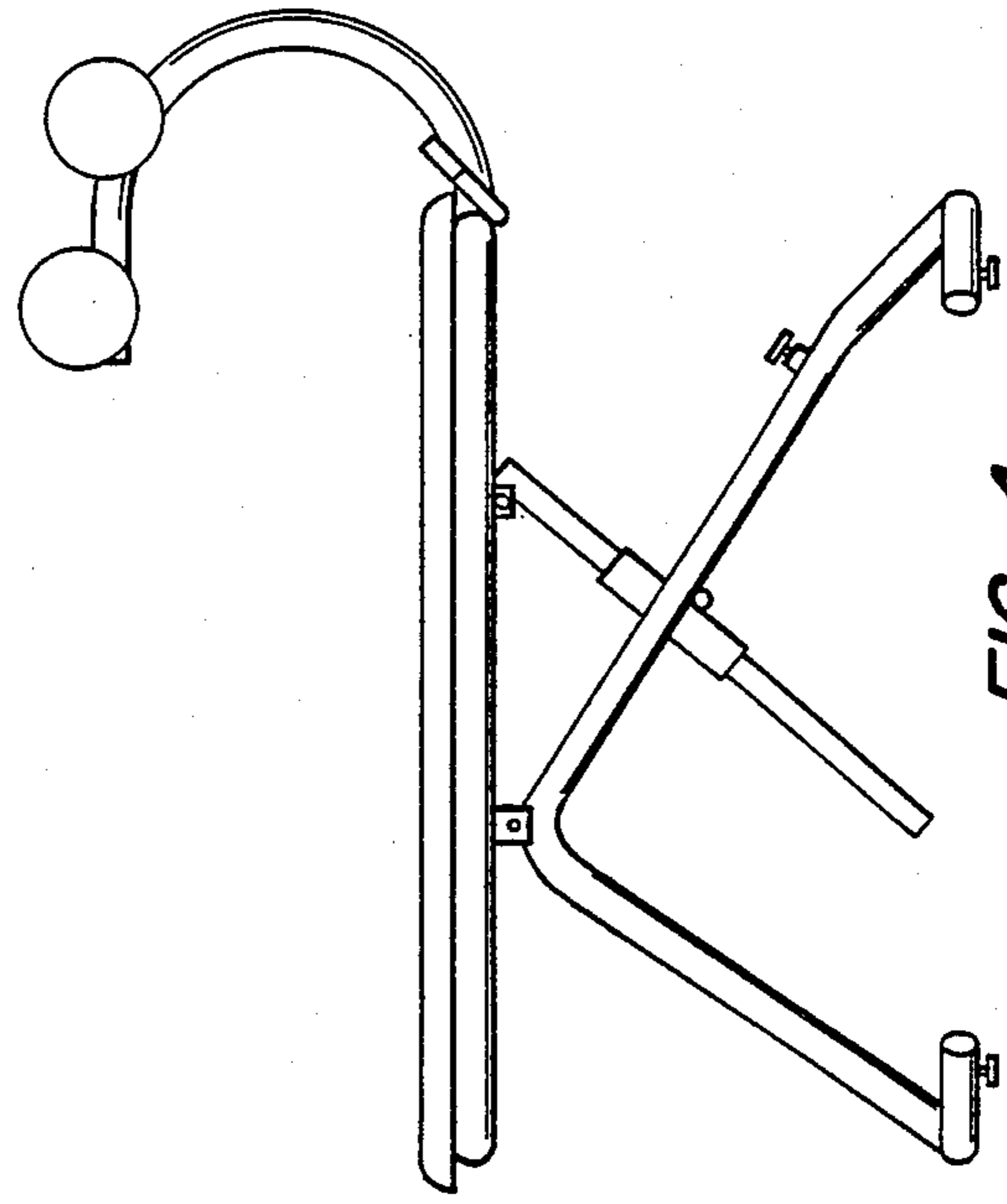


FIG. 4

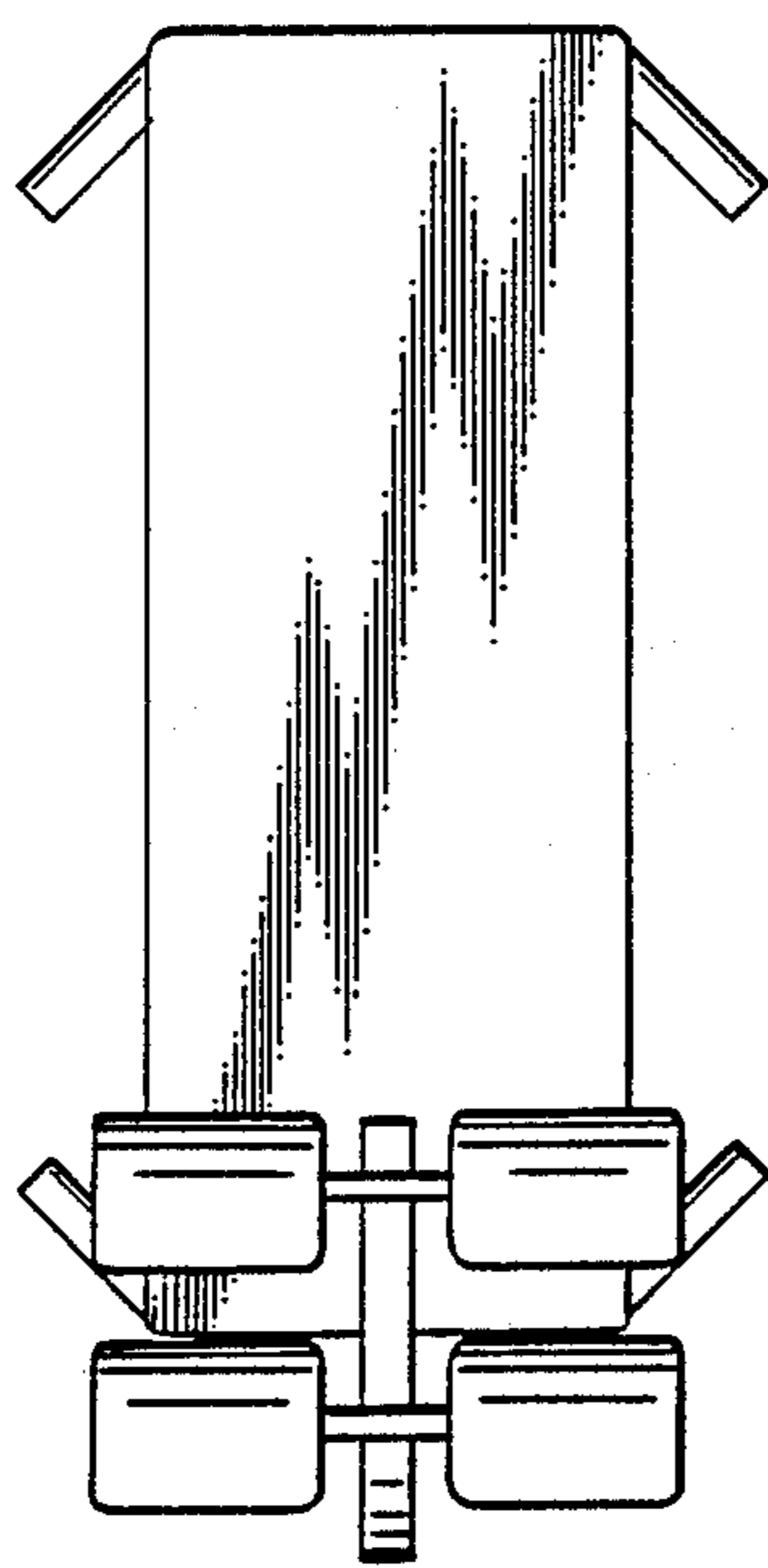


FIG. 1

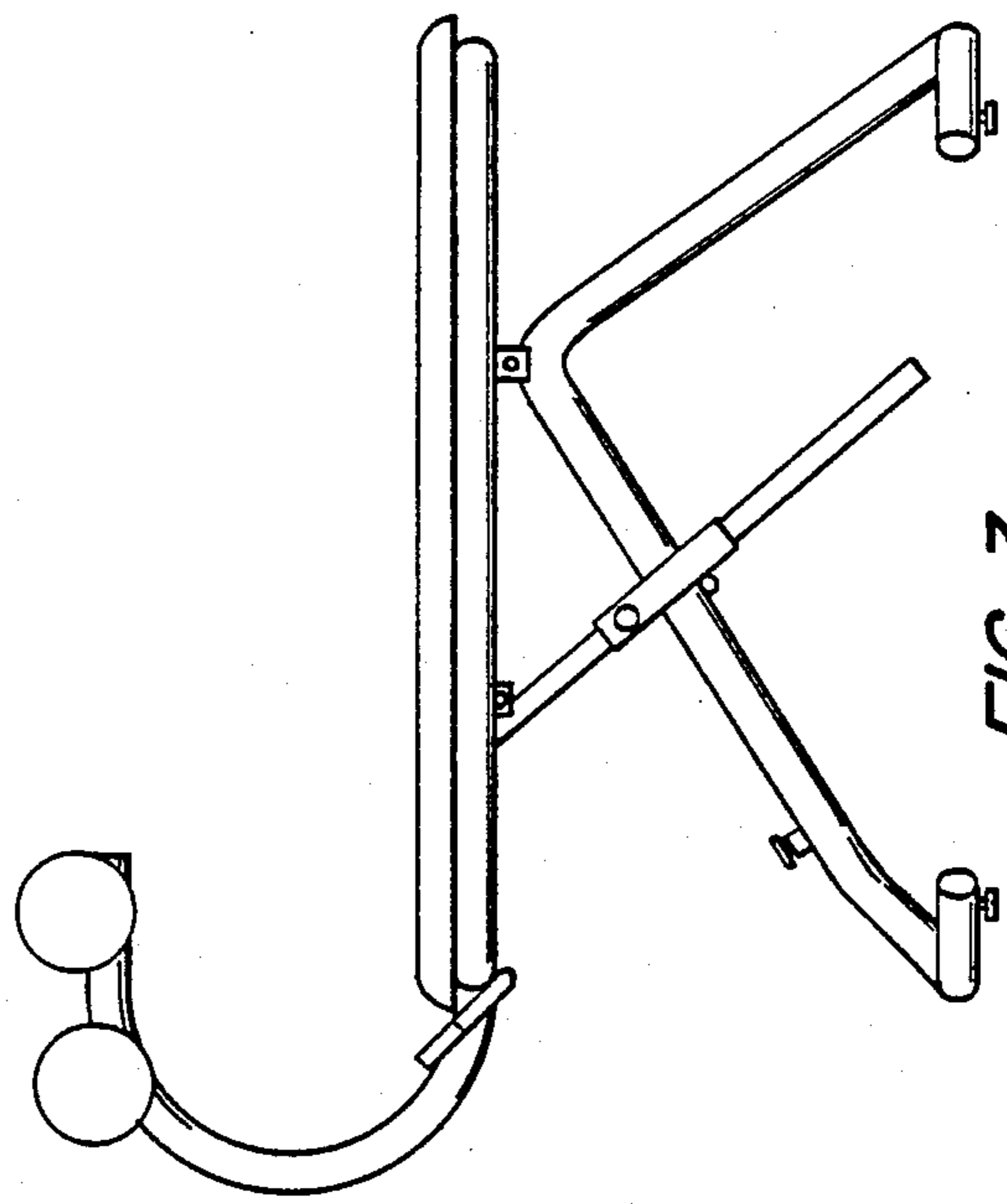


FIG. 3

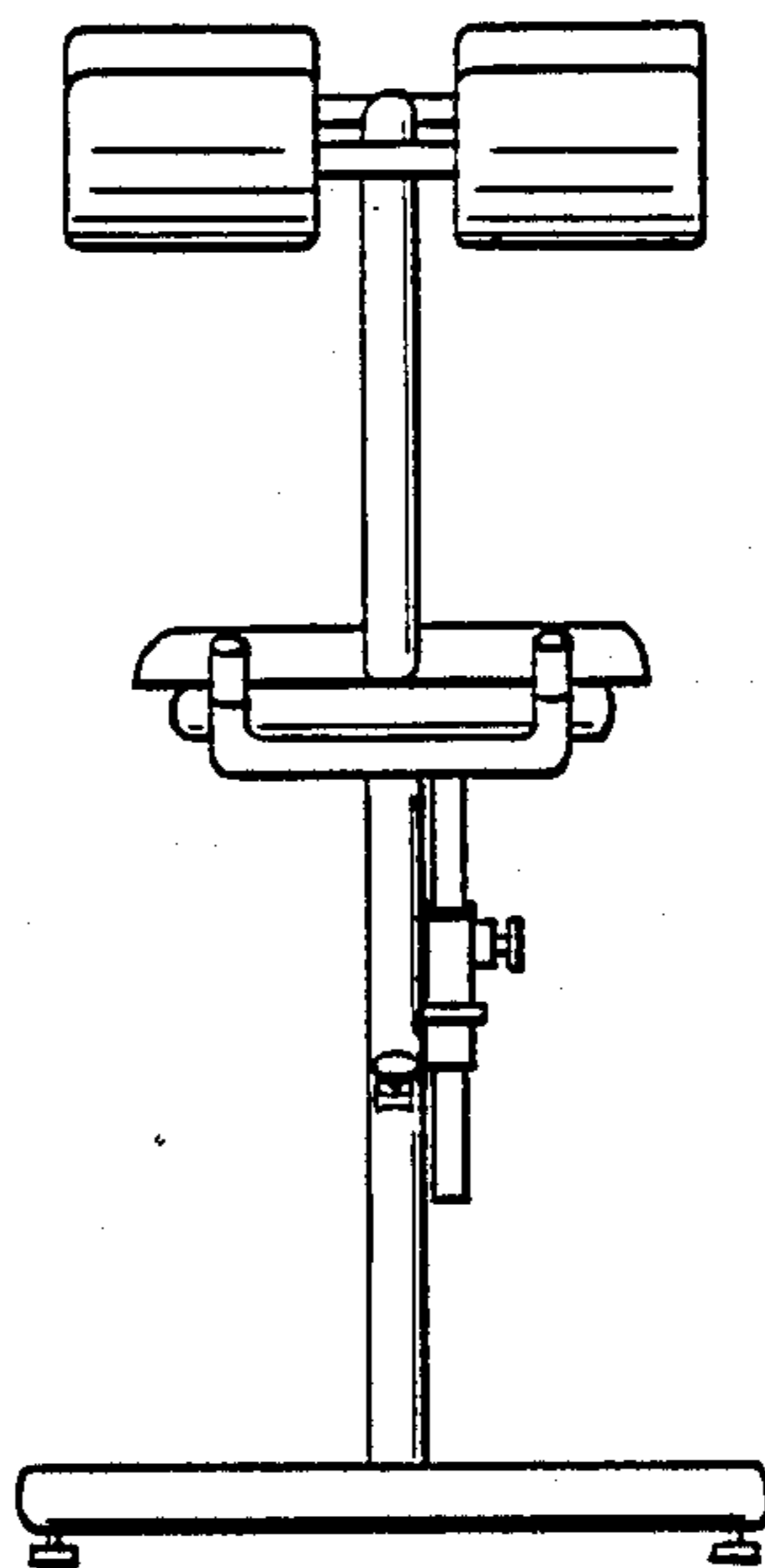


FIG. 5

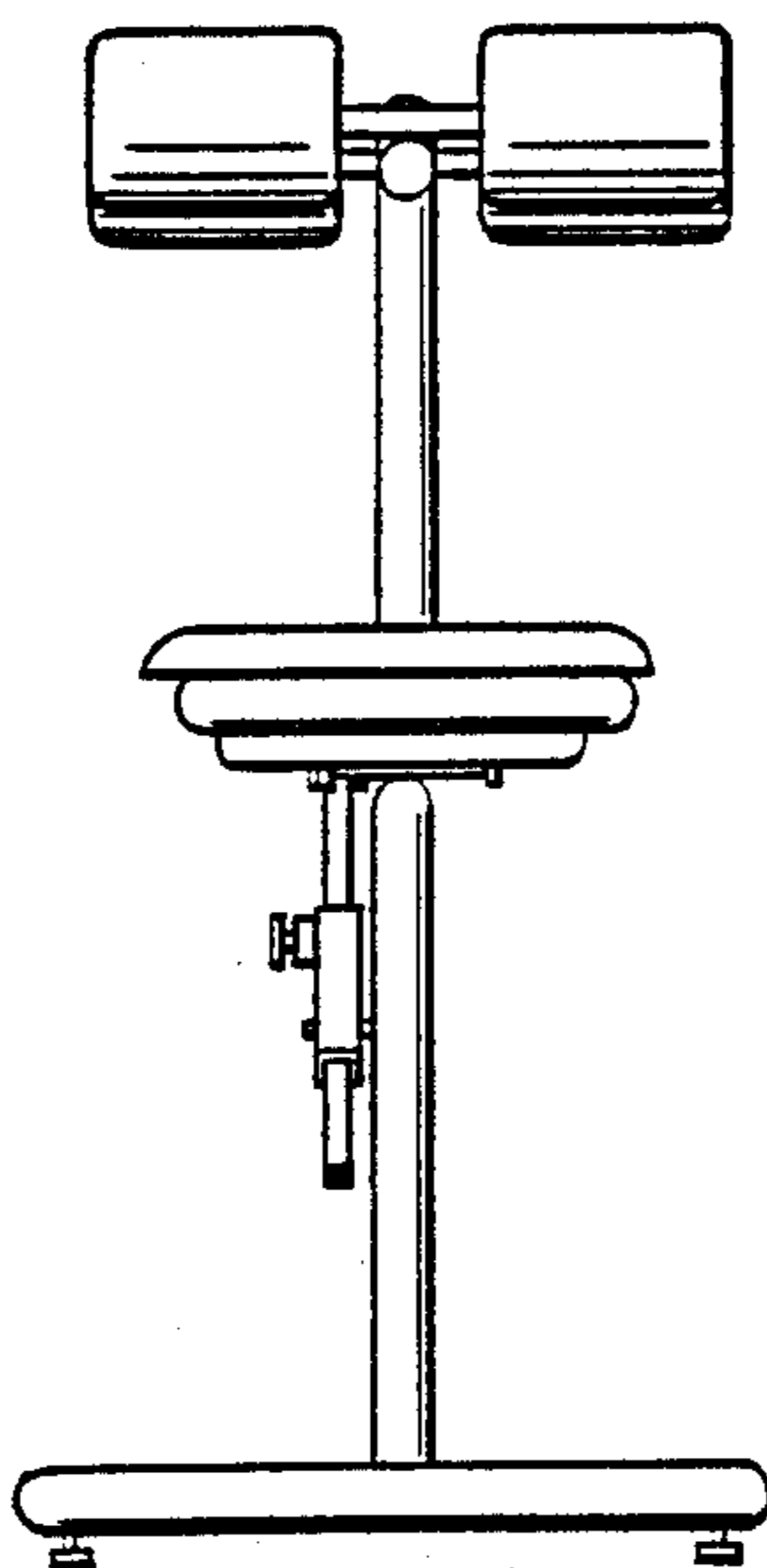


FIG. 6

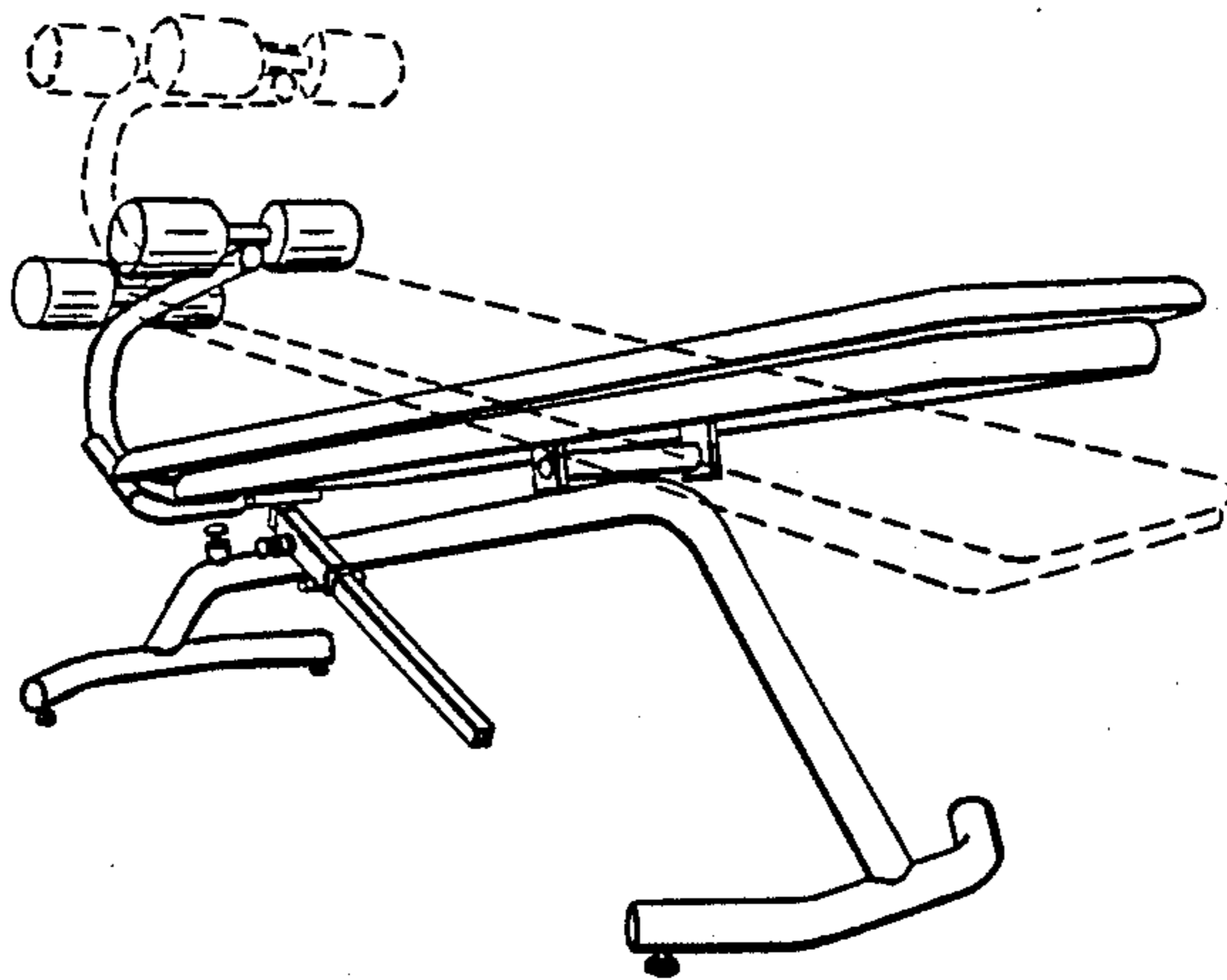


FIG. 7