

[54] CRADLE GYM TOY

[75] Inventors: Harry S. Thomson, Richmond; David M. Raffo; John A. Pape, both of Hitchin, all of England

[73] Assignee: Hestair Kiddicraft Limited, United Kingdom

[**] Term: 14 Years

[21] Appl. No.: 858,507

[22] Filed: May 1, 1986

[30] Foreign Application Priority Data

Nov. 4, 1985 [GB] United Kingdom 1030226
[52] U.S. Cl. D21/63; D21/64
[58] Field of Search D21/59, 63, 64, 65; 446/227; 434/259

[56] References Cited

U.S. PATENT DOCUMENTS

D. 138,230	7/1944	Nudelman	D21/63
D. 144,582	4/1946	Rassnick	D21/63
D. 219,746	1/1971	Stubbmann	D21/63
D. 223,035	2/1972	Brecher	D21/63
D. 288,829	3/1987	Cheuk-Sun	D21/63

Primary Examiner—Charles A. Rademaker

[57] CLAIM

The ornamental design for cradle gym toy, as shown and described.

DESCRIPTION

FIG. 1 is a front elevational view of a cradle gym toy showing our new design;
FIG. 2 is a rear elevational view thereof;
FIG. 3 is an end elevational view thereof;
FIG. 4 is an end elevational view of the end opposite that shown in FIG. 3;
FIG. 5 is a top plan view thereof; and
FIG. 6 is a bottom plan view thereof.

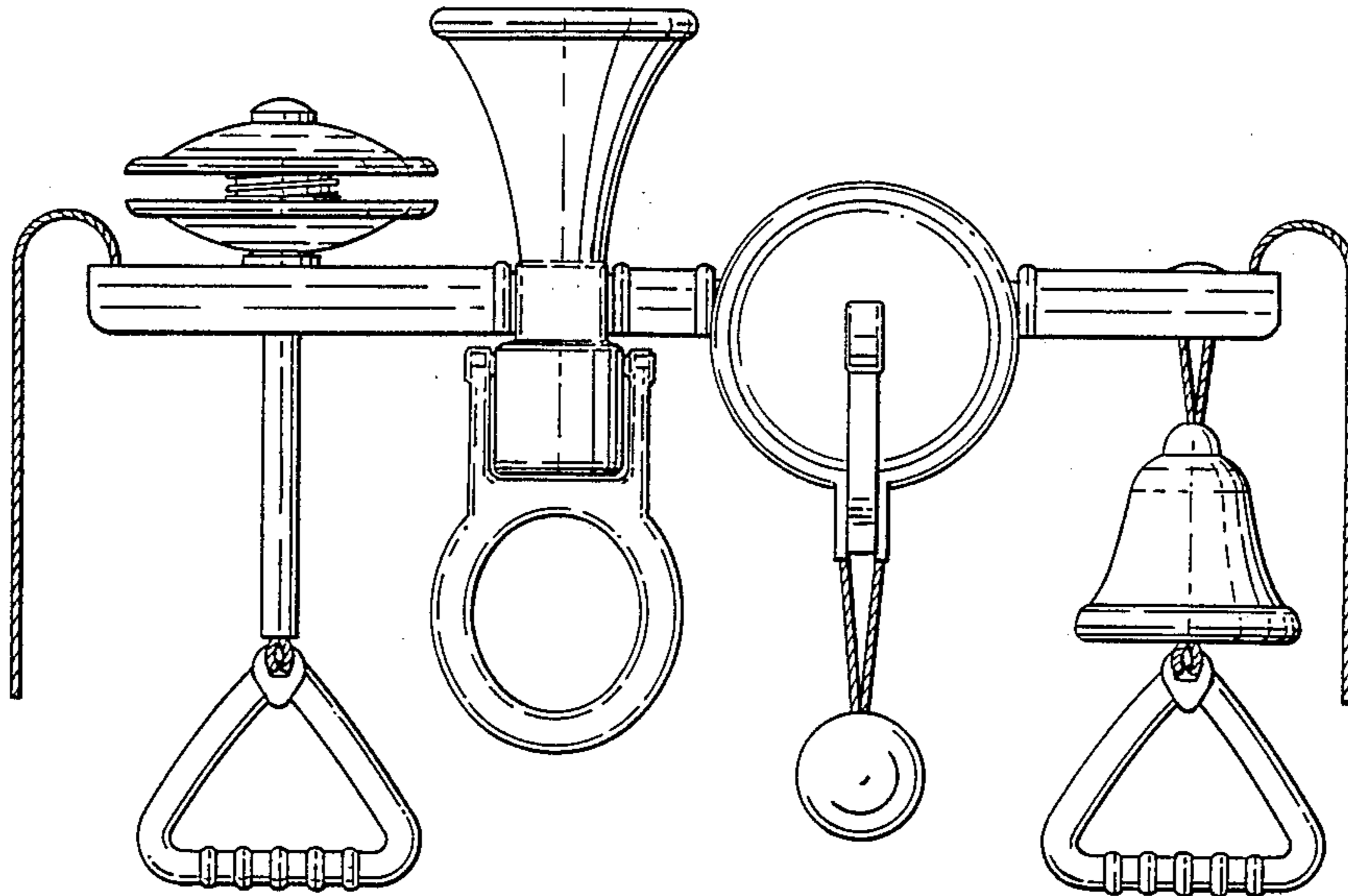
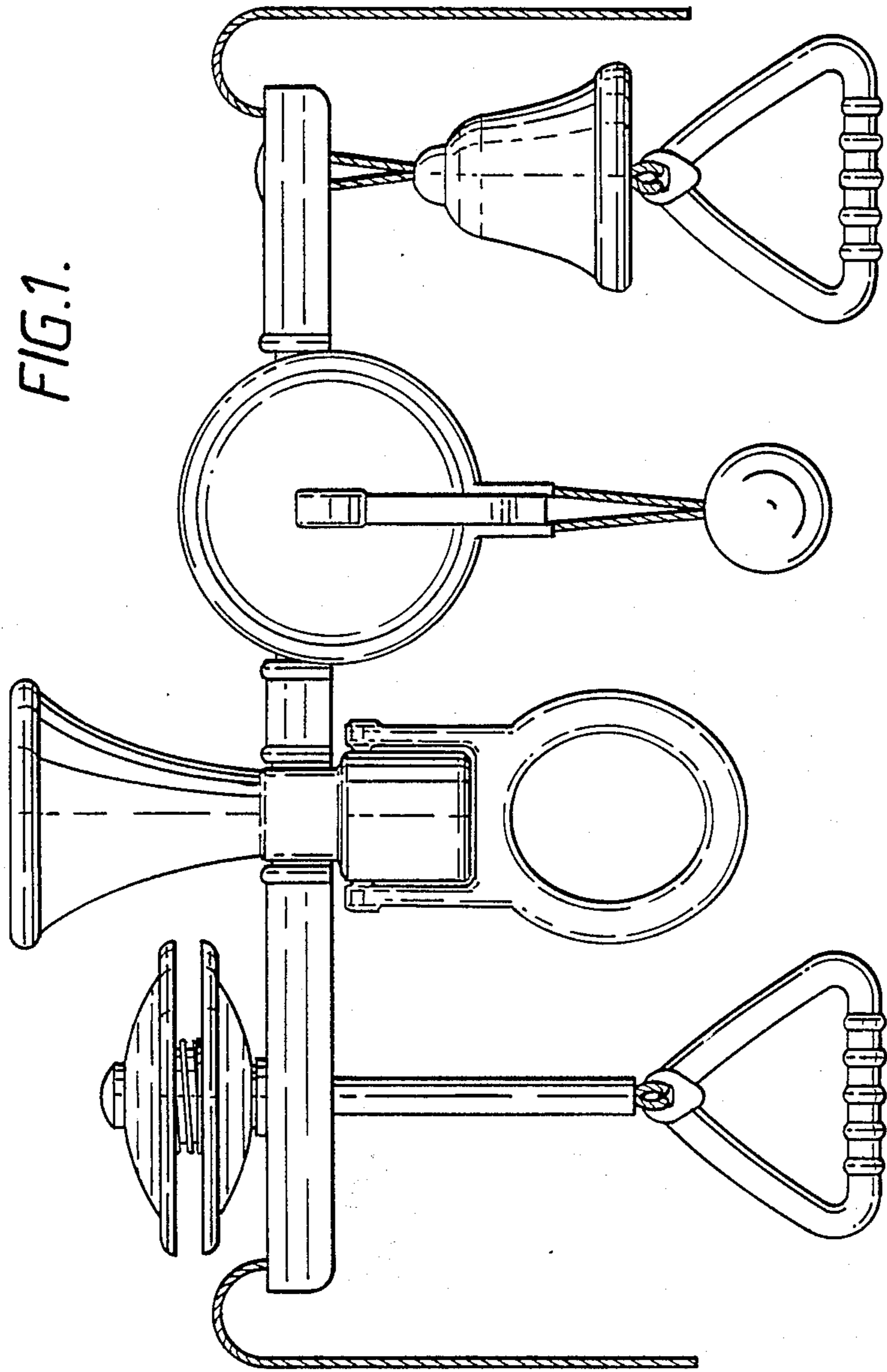


FIG. 1.



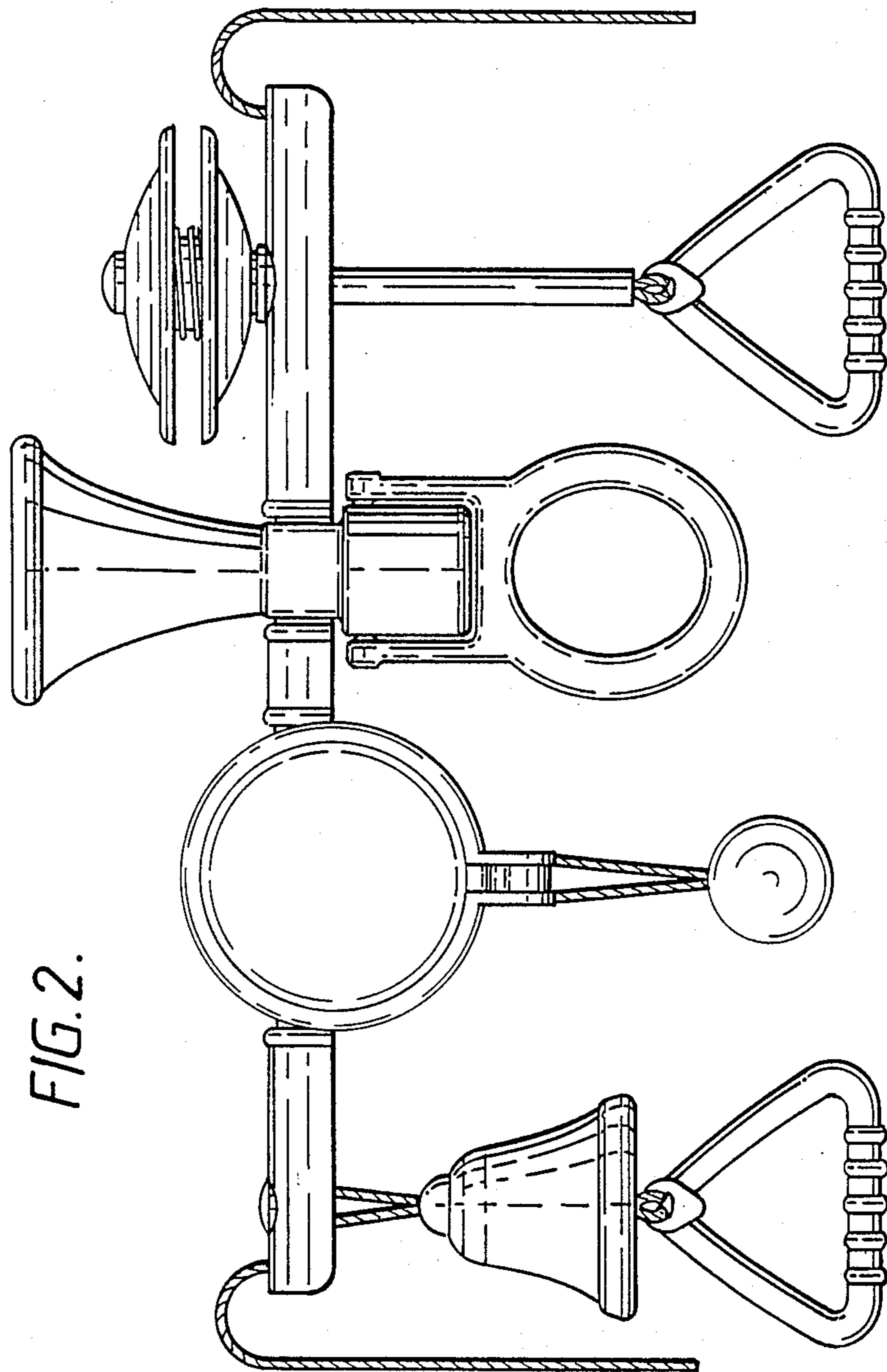


FIG. 2.

FIG. 3.

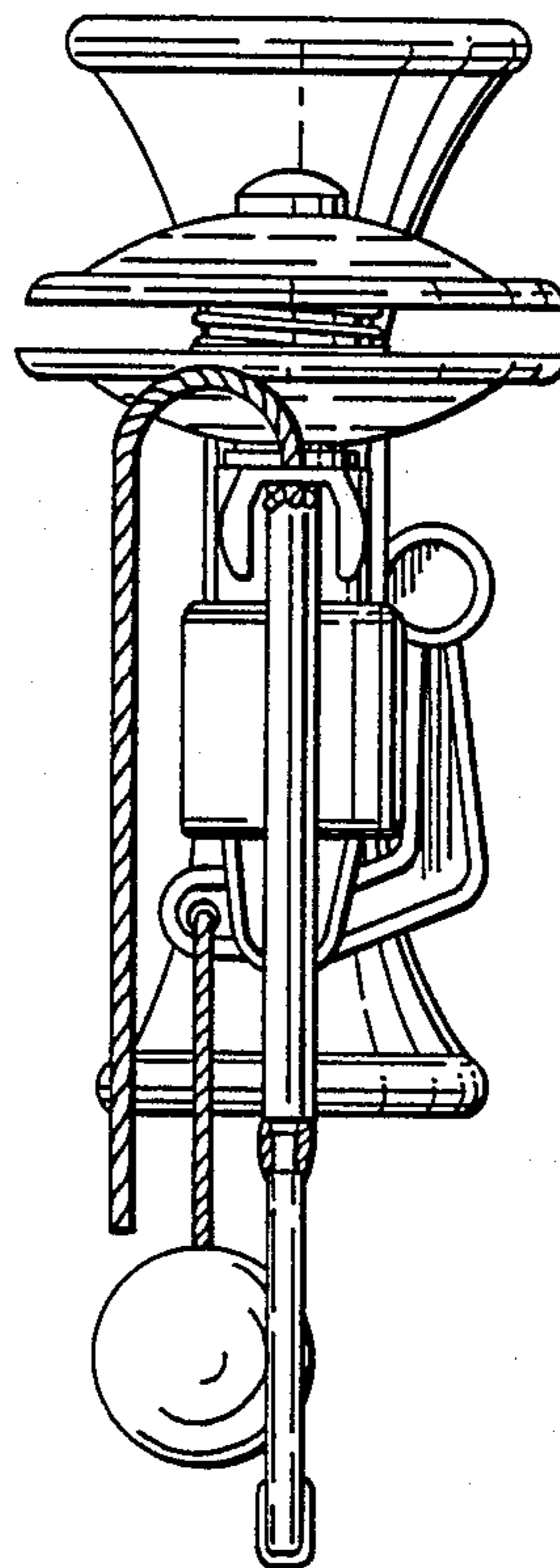
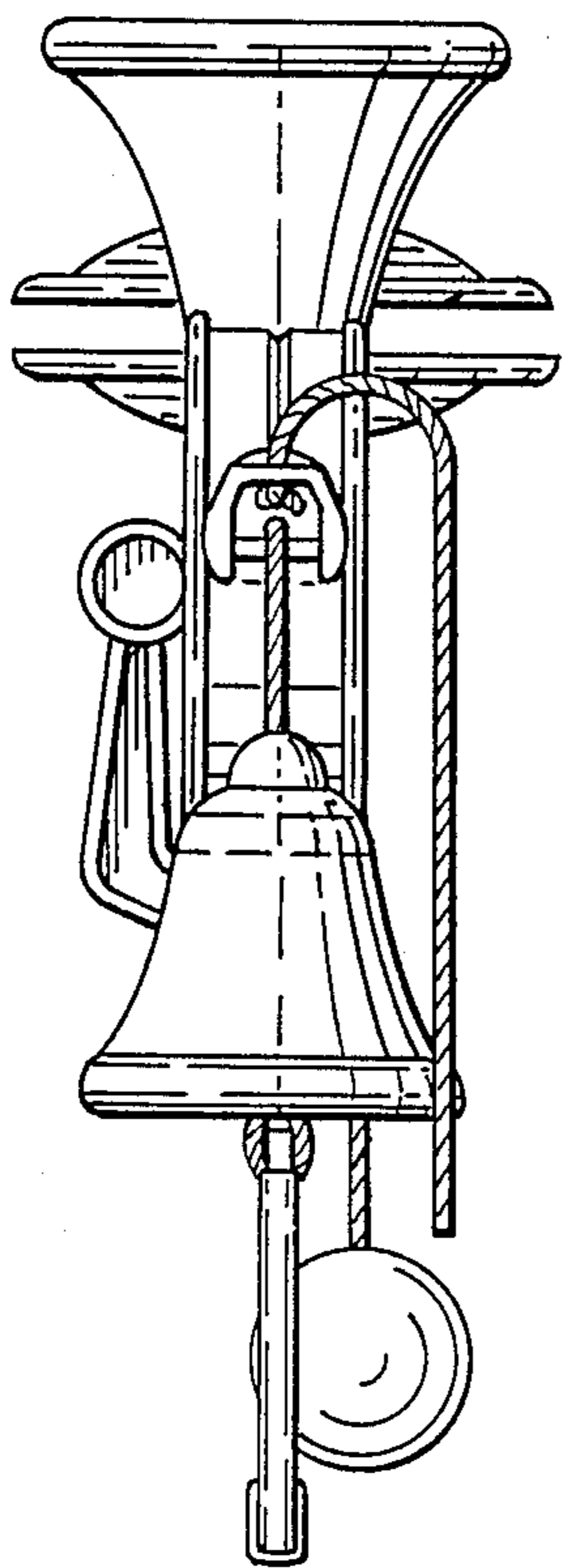


FIG. 4

FIG. 5.

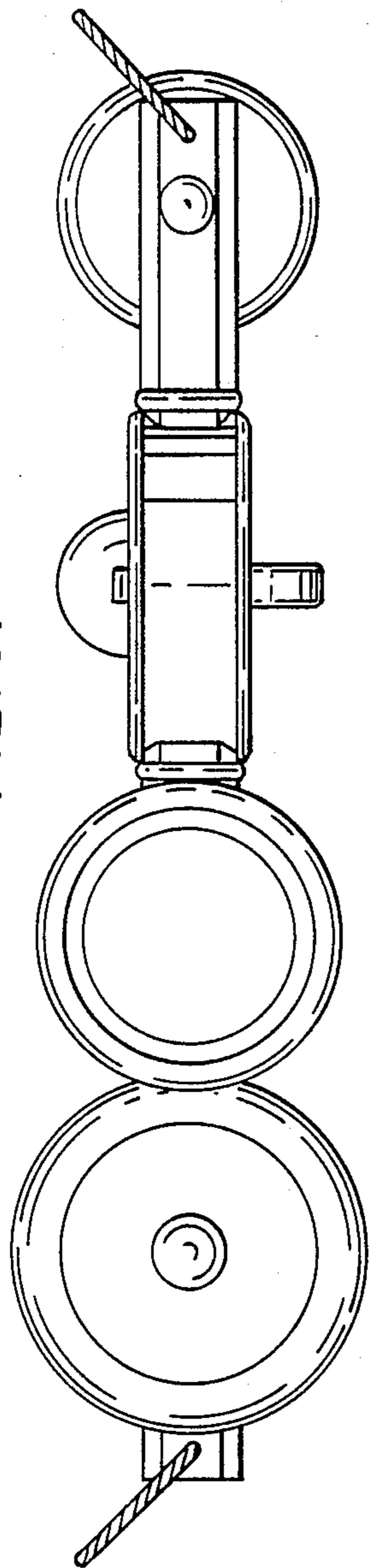


FIG. 6.

