

[54] GOGGLES

[76] Inventors: Garry A. Reichert, 5626 Preston Oaks #5B; Jay E. Tenney, 5565 Preston Oaks #240, both of Dallas, Tex. 75240

[**] Term: 14 Years

[21] Appl. No.: 932,620

[22] Filed: Nov. 18, 1986

[52] U.S. Cl. D16/104; D16/107

[58] Field of Search D16/100-129, D16/133; D21/109; 351/41, 43, 45, 47, 48, 51, 52, 57-59, 66, 83, 85, 87, 90-92, 98, 102, 106, 108, 111, 114, 116-118, 122, 123; 2/12, 13, 15, 426, 431, 432, 436, 439, 440, 442, 444, 446, 452

[56] References Cited

U.S. PATENT DOCUMENTS

- D. 142,934 11/1945 Barrett et al. .
- D. 142,935 11/1945 Barrett et al. .
- D. 146,487 3/1947 Shields D16/133
- D. 162,998 4/1951 Tietje .
- D. 183,894 11/1958 McNeill .
- D. 188,008 5/1960 Pacelli .
- D. 198,286 5/1964 Wood .

- D. 204,695 5/1966 Glass et al. .
- D. 204,696 5/1966 Glass et al. .
- D. 204,699 5/1966 Glass et al. .
- D. 212,199 9/1968 Bloch .
- D. 215,576 10/1969 Huggins D16/122
- D. 264,735 6/1982 Ocker D21/109
- D. 288,211 2/1987 Rabhi D16/133
- 2,172,959 9/1939 Hirtenstein .
- 2,211,366 8/1940 Cooper D16/107 X

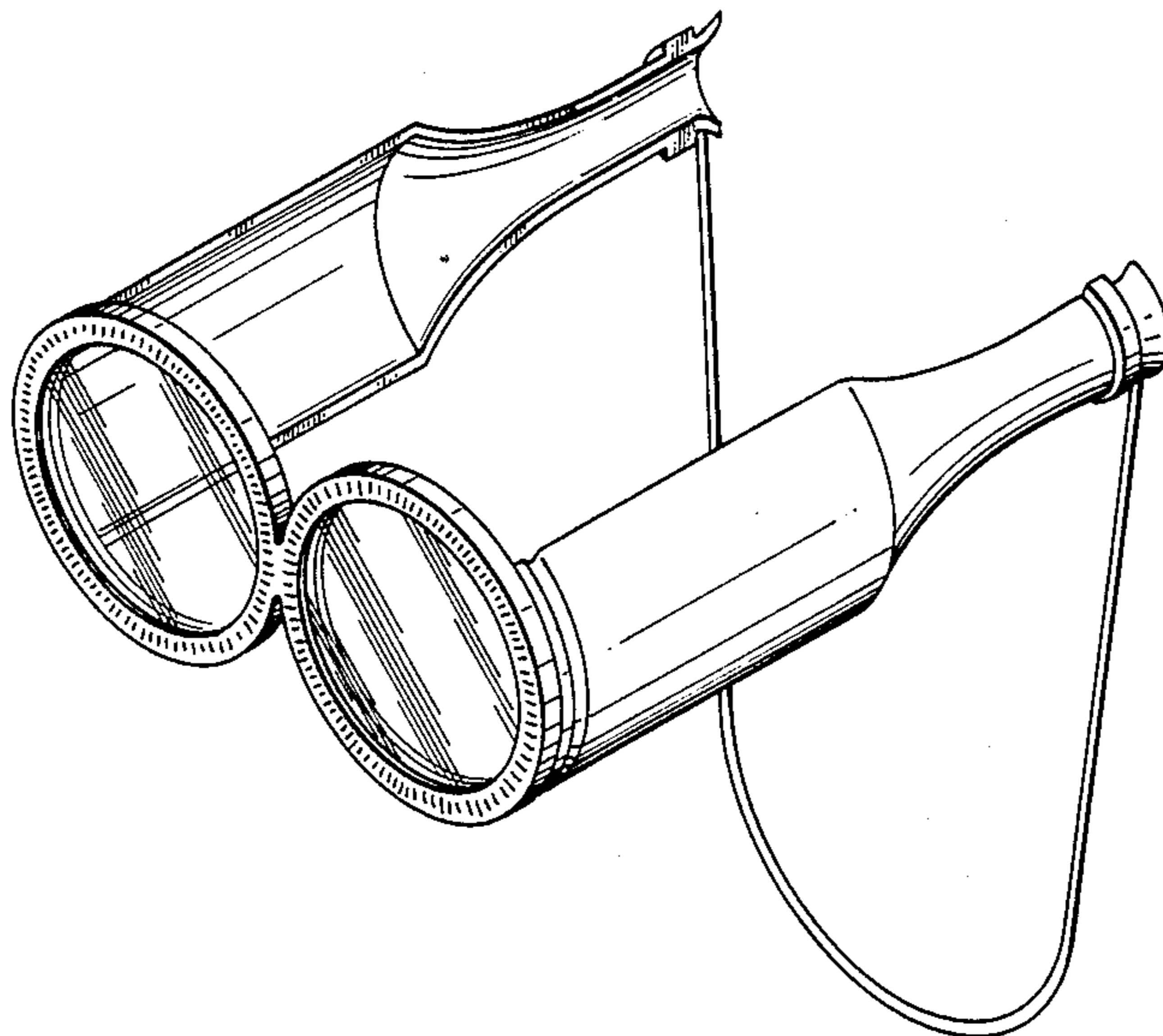
Primary Examiner—Wallace R. Burke
Assistant Examiner—Clare E. Heflin
Attorney, Agent, or Firm—Warren B. Kice

[57] CLAIM

The ornamental design for goggles, as shown and described.

DESCRIPTION

FIG. 1 is a perspective view of the goggles showing our new design;
FIG. 2 is a side elevational view thereof;
FIG. 3 is a rear elevational view thereof;
FIG. 4 is a front elevational view thereof;
FIG. 5 is a top plan view thereof; and
FIG. 6 is a bottom plan view thereof.
The headband is shown separated in FIGS. 2 and 3 for ease of illustration only.



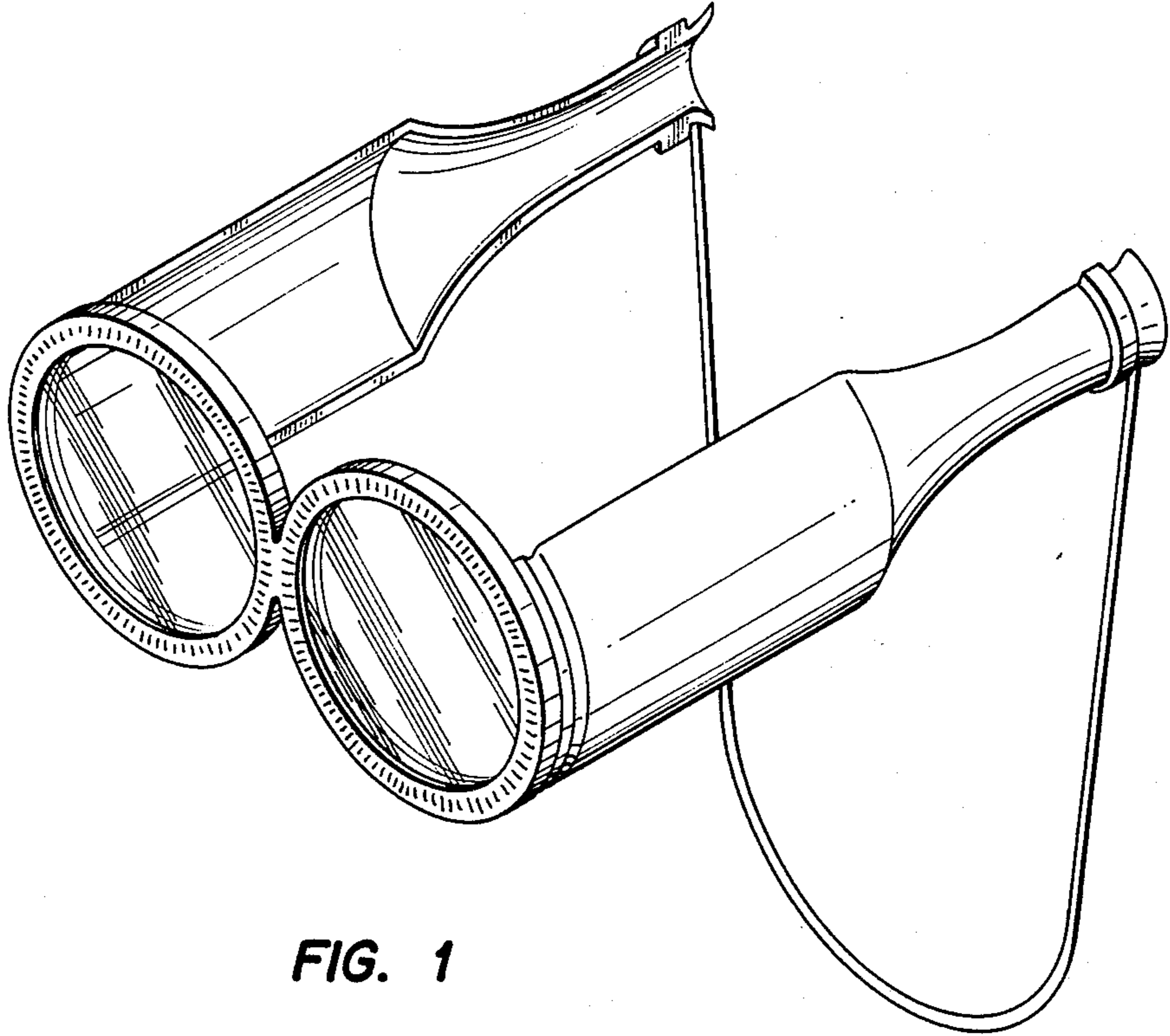


FIG. 1

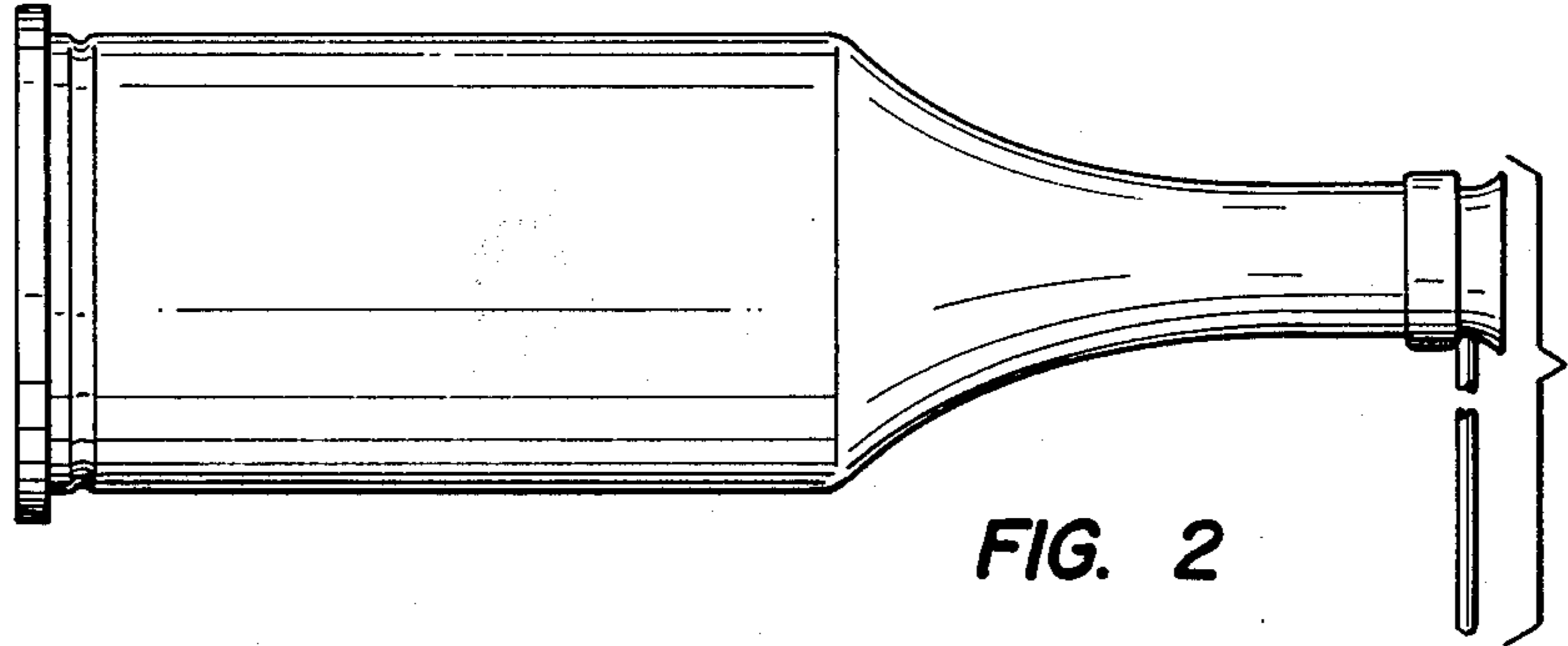
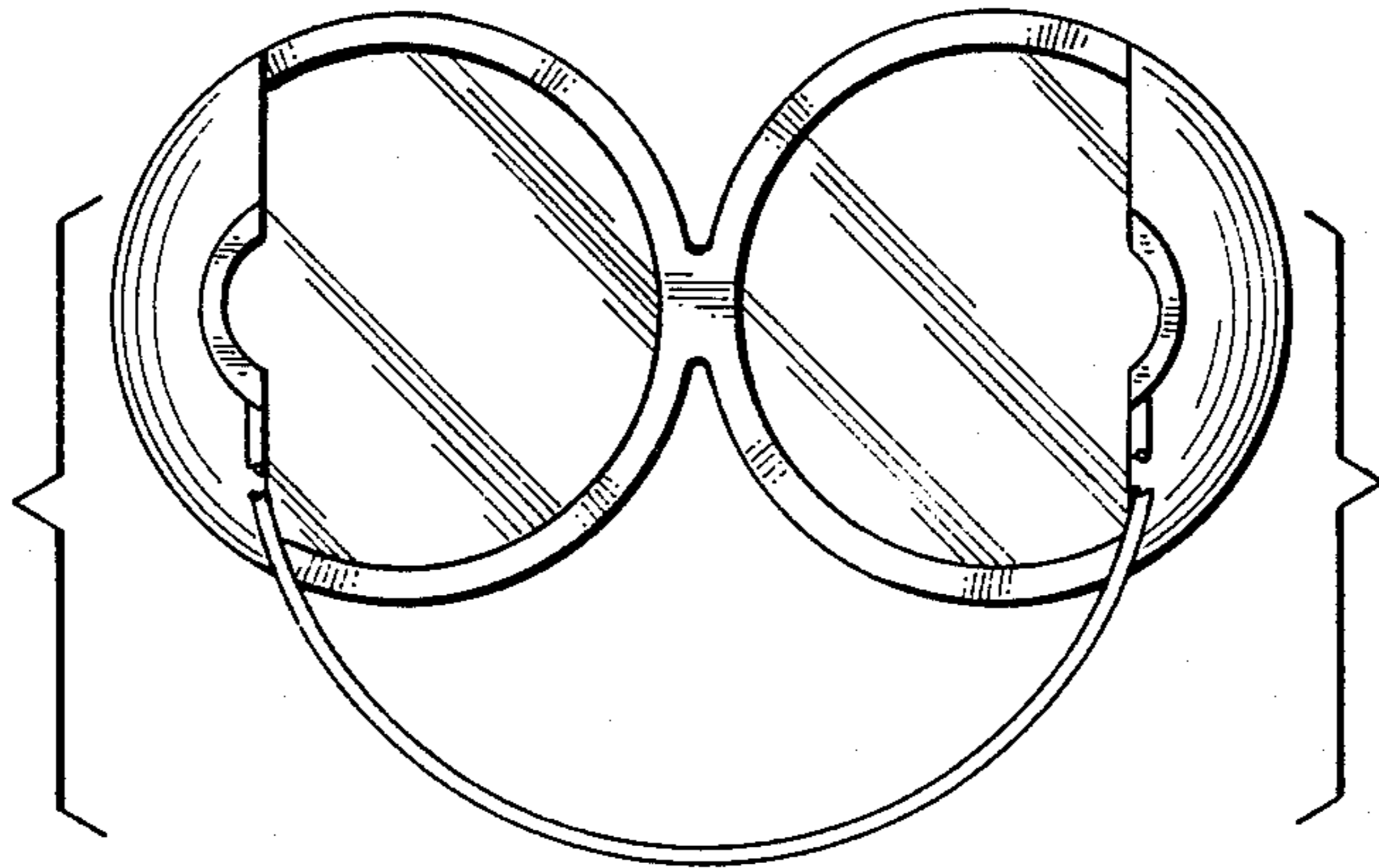


FIG. 2

FIG. 3



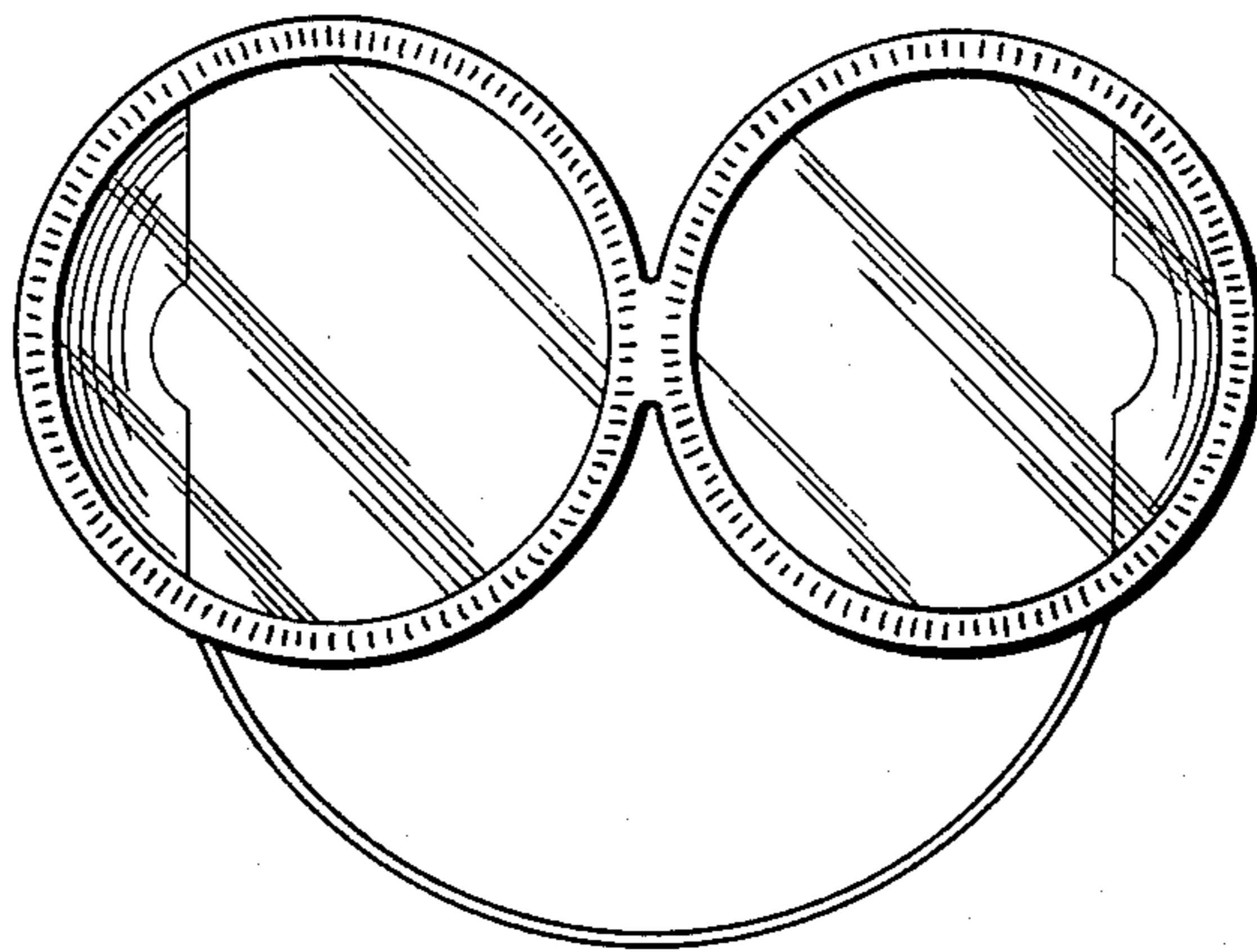


FIG. 4

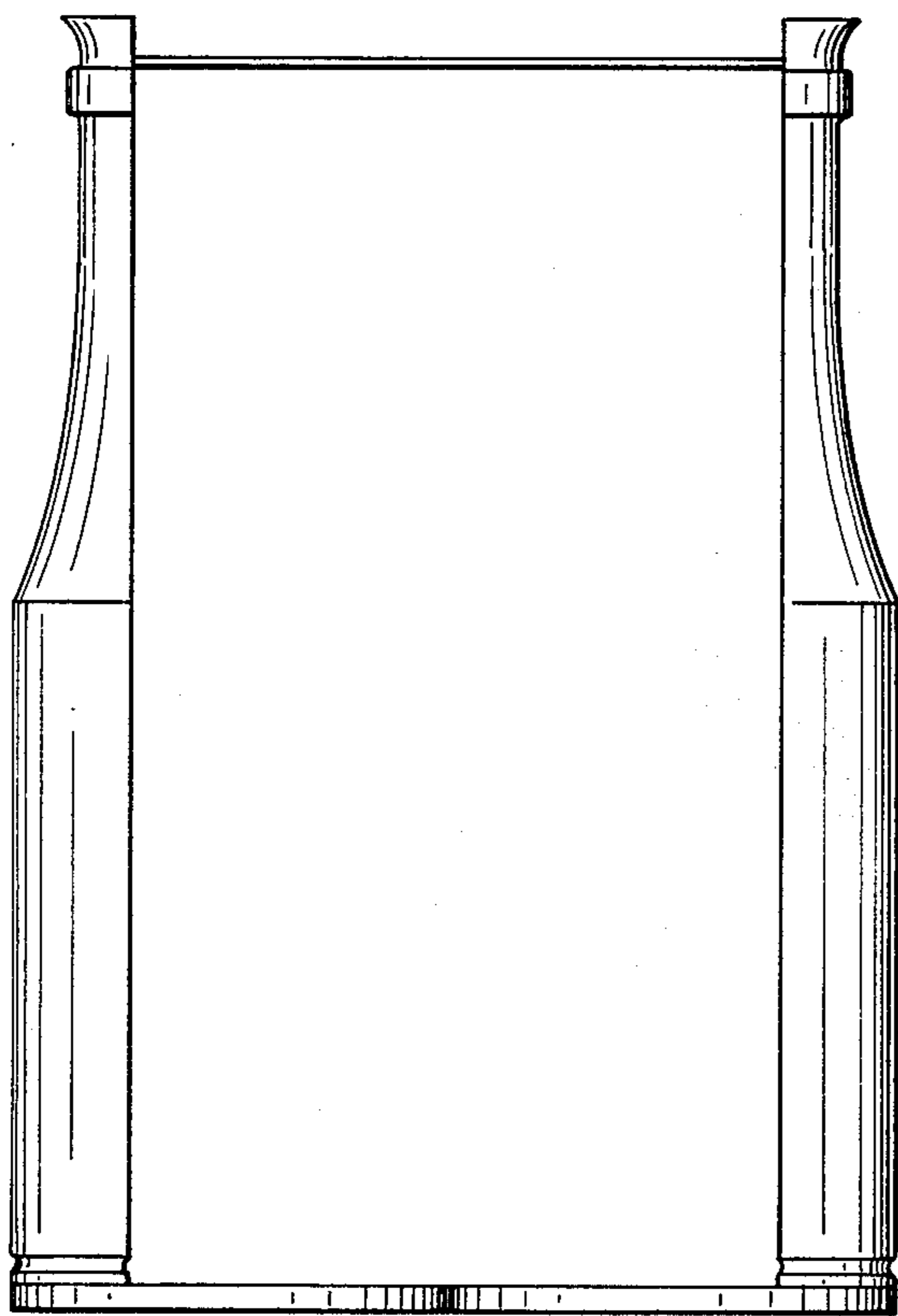


FIG. 5

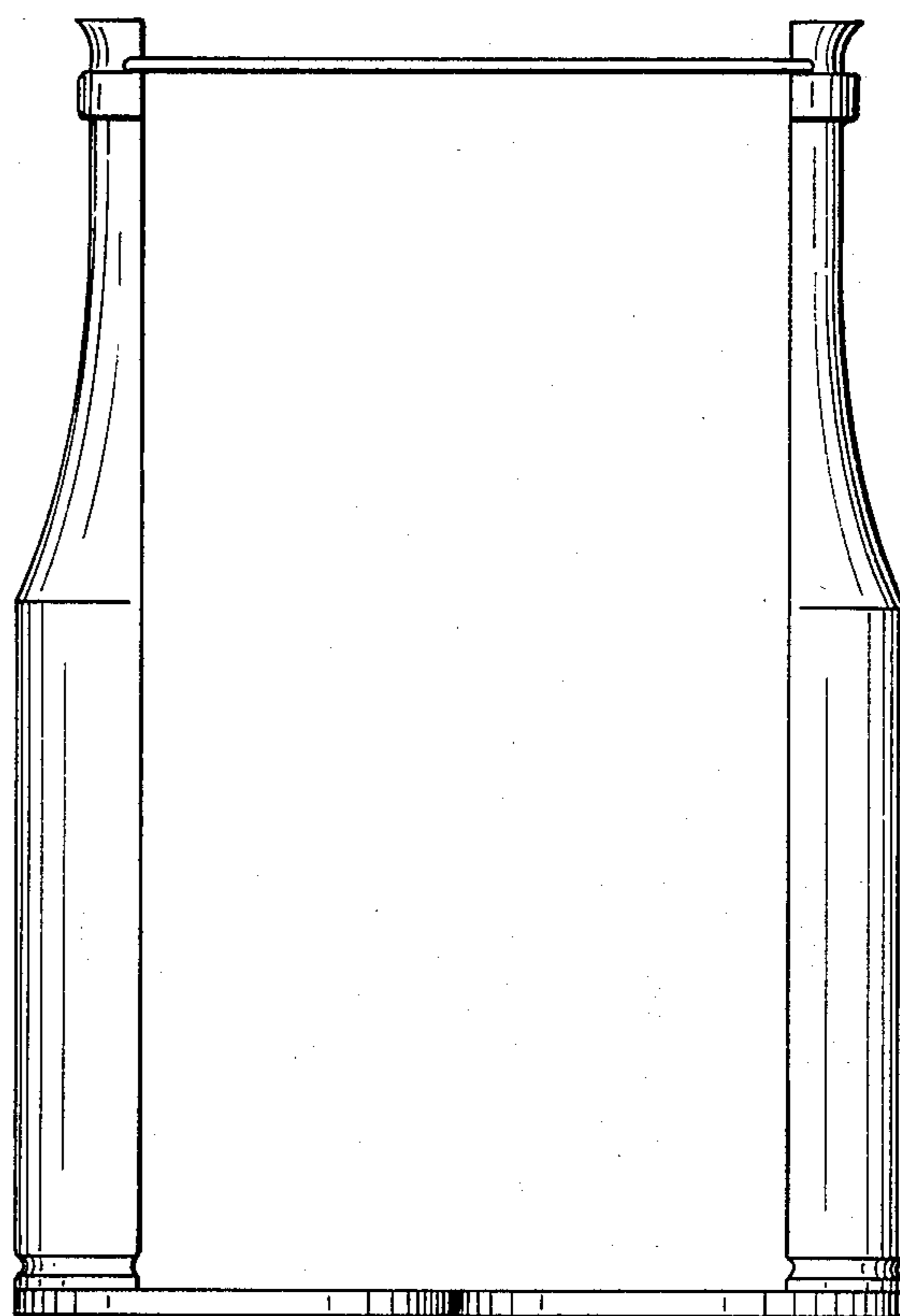


FIG. 6