

[54] COMBINED SUNGLASSES AND VISOR

608859 9/1948 United Kingdom ..... 2/450

[76] Inventor: Letantia B. Bussell, 465 N. Roxbury Dr., Ste. 912, Beverly Hills, Calif. 90210

[\*\*] Term: 14 Years

[21] Appl. No.: 889,846

[22] Filed: Jul. 28, 1986

[52] U.S. Cl. .... D16/110; D16/116; D16/121

[58] Field of Search ..... D16/102-122, D16/125, 127; D27/9, 18; 351/41, 44, 46, 51, 52, 54, 55, 60, 83, 85, 87-93, 95, 98, 102-104, 106, 108, 110, 111; 2/427, 439, 444, 447, 449, 450

[56] References Cited

U.S. PATENT DOCUMENTS

D. 116,038 8/1939 Lux ..... D16/111  
D. 170,033 7/1953 Spencer ..... D16/111  
D. 215,574 10/1969 Huggins ..... D16/111

FOREIGN PATENT DOCUMENTS

2430625 3/1980 France ..... 351/41

OTHER PUBLICATIONS

Popular Mechanics 2-1954, p. 274, "Eye Movement Glasses".

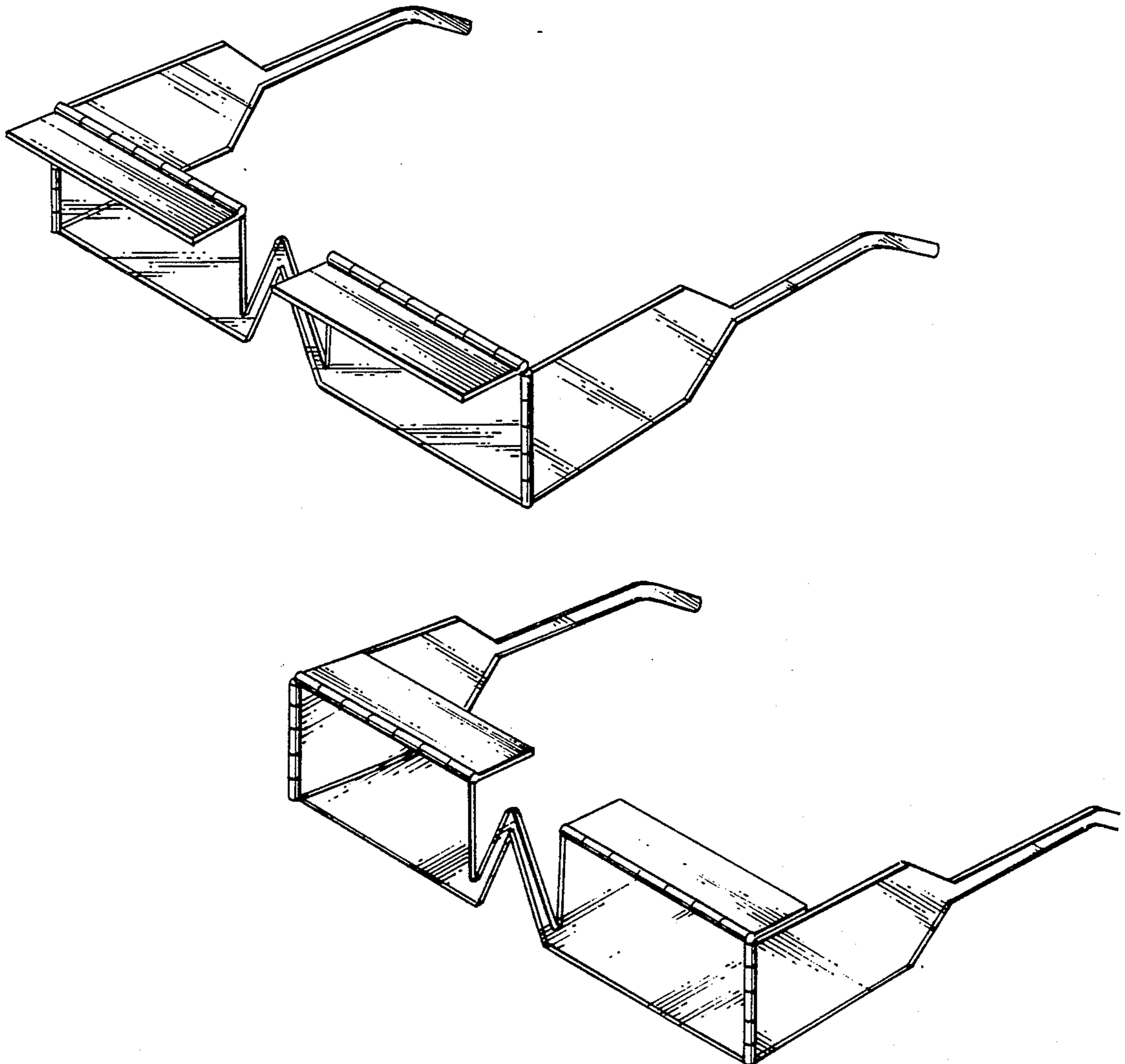
Primary Examiner—Susan J. Lucas  
Assistant Examiner—Clare E. Heflin  
Attorney, Agent, or Firm—Christie, Parker & Hale

[57] CLAIM

The ornamental design for combined sunglasses and visor, as shown and described.

DESCRIPTION

FIG. 1 is a front perspective view of the combined sunglasses and visor showing my new design; FIG. 2 is a front elevational view thereof; FIG. 3 is a side elevational view thereof; FIG. 4 is a rear elevational view thereof; FIG. 5 is a top plan view thereof; FIG. 6 is a front perspective view thereof, with the visors shown in an alternate position; and, FIG. 7 is a rear perspective view thereof, with the visors shown in a second alternate position and the temples in the folded position.



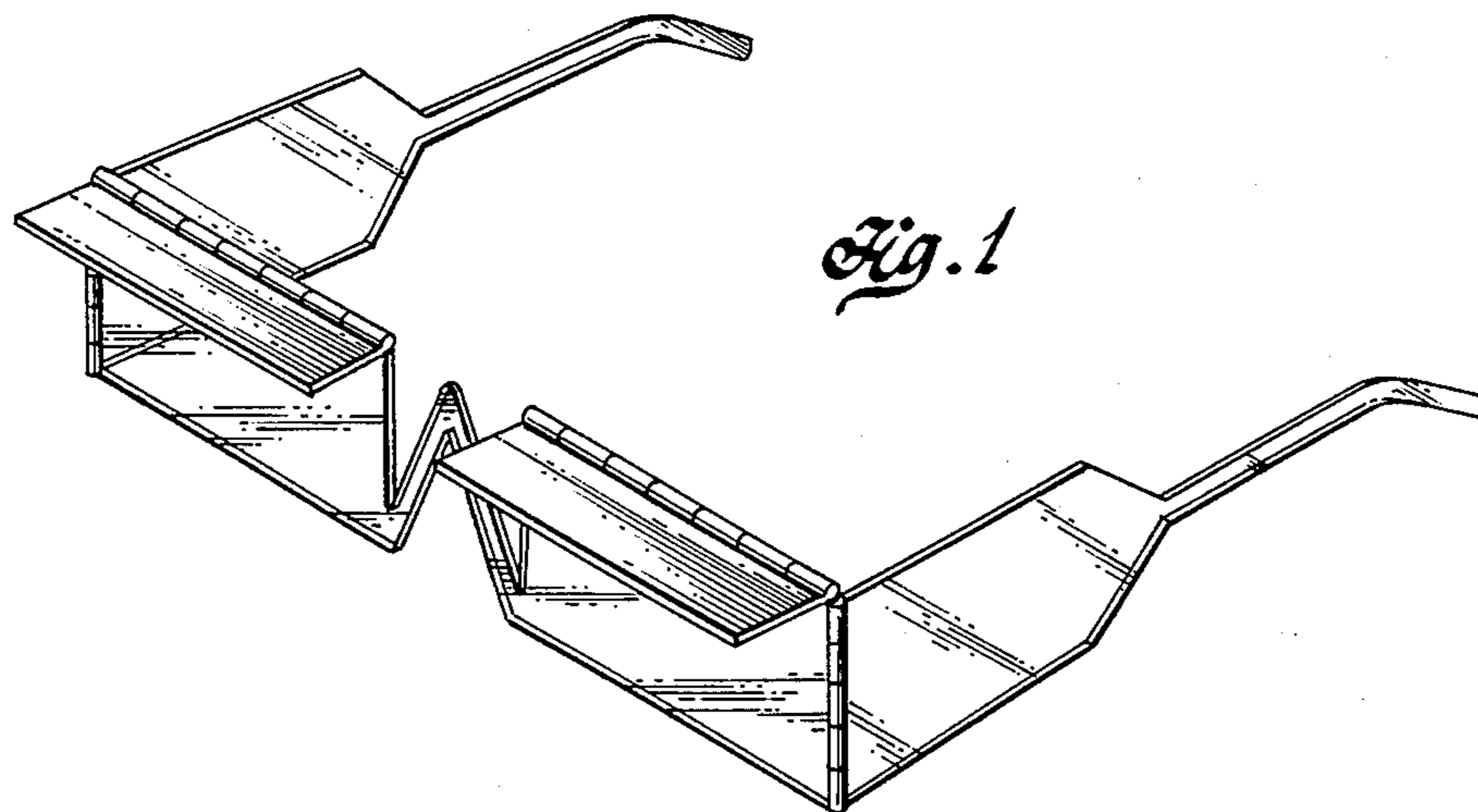


Fig. 2

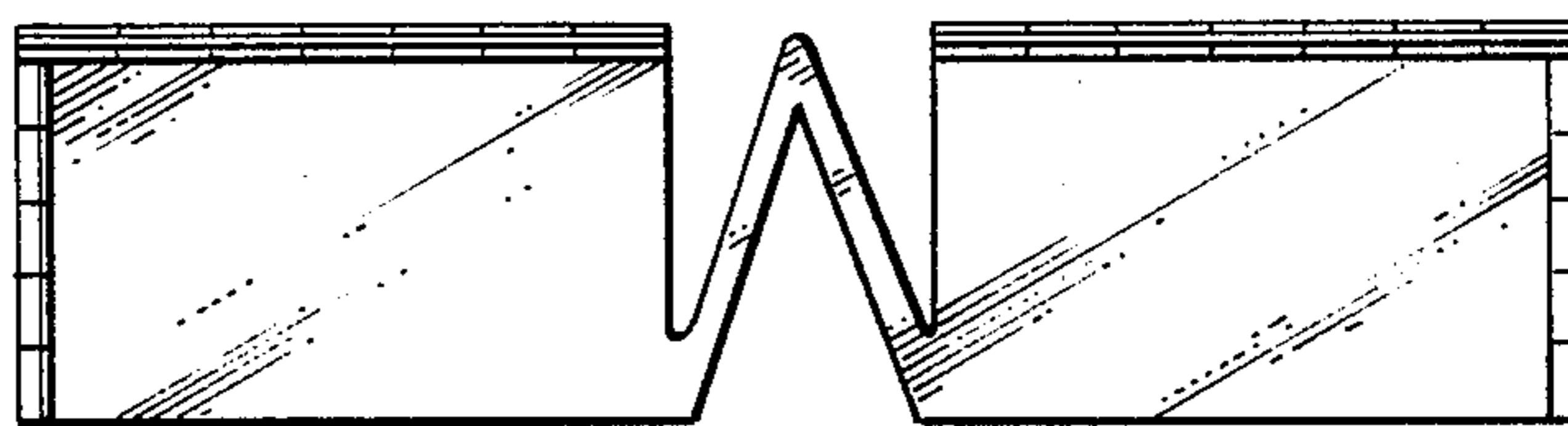


Fig. 3

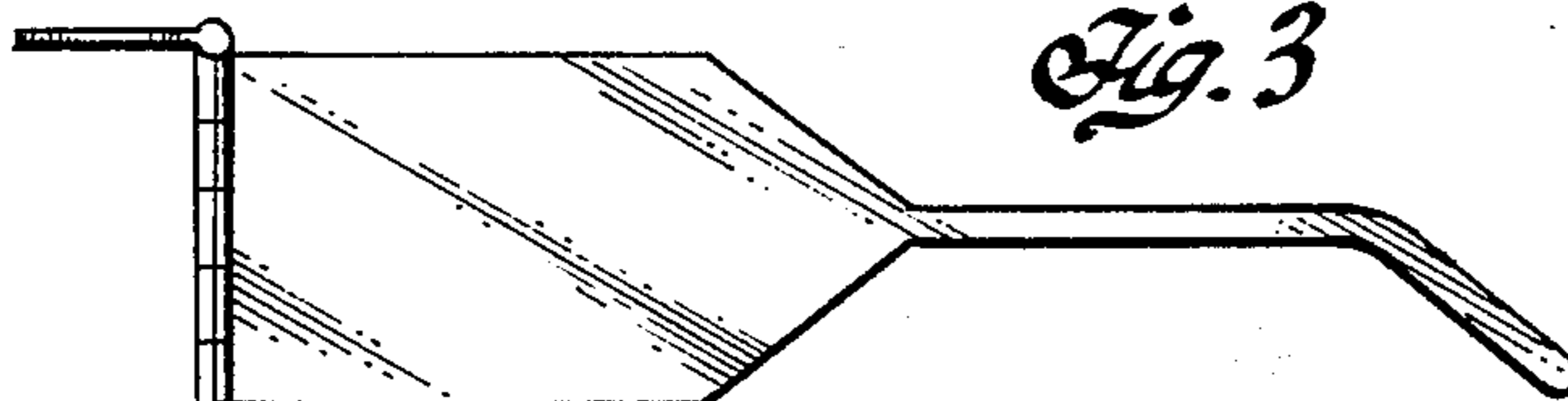
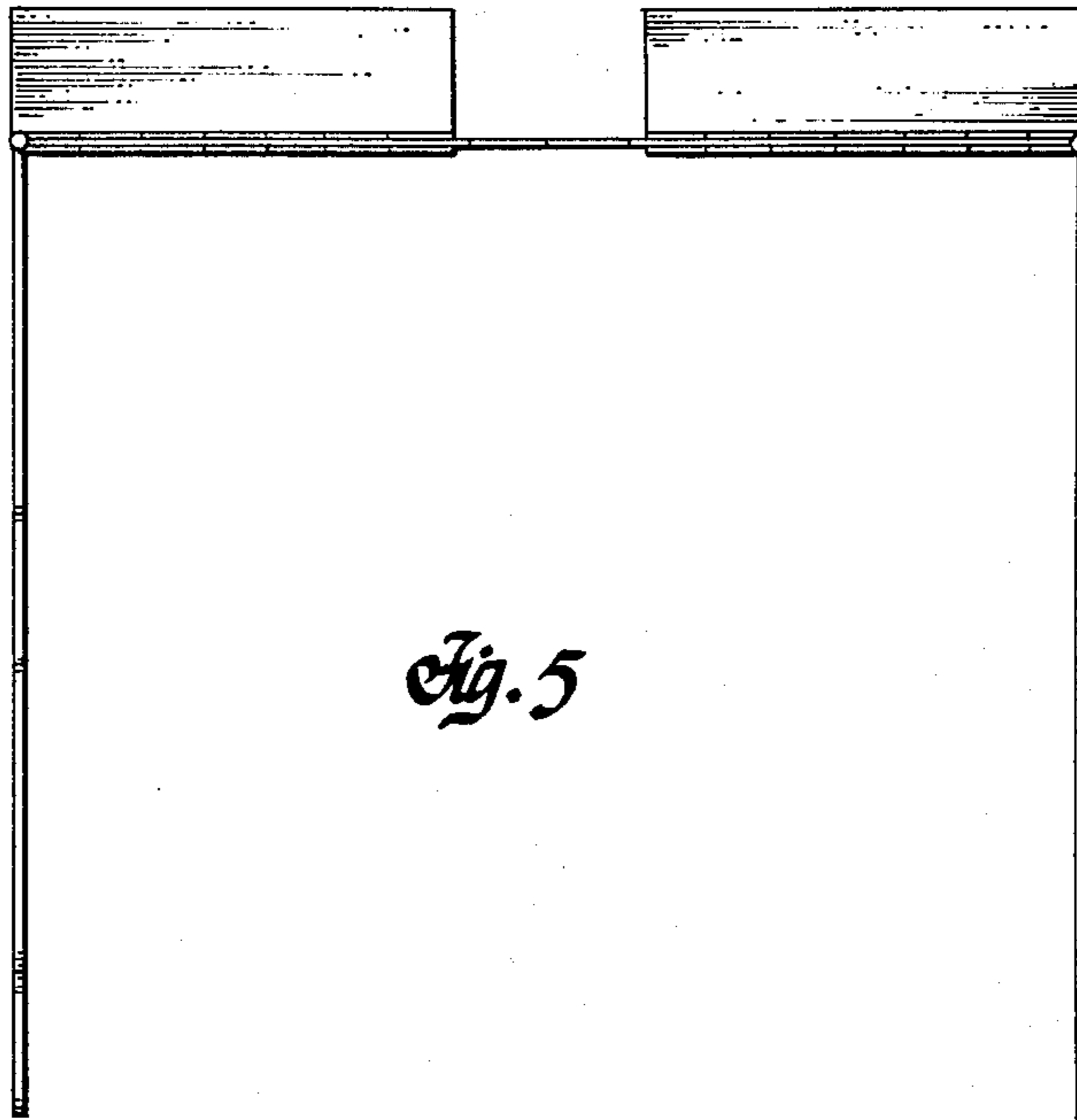
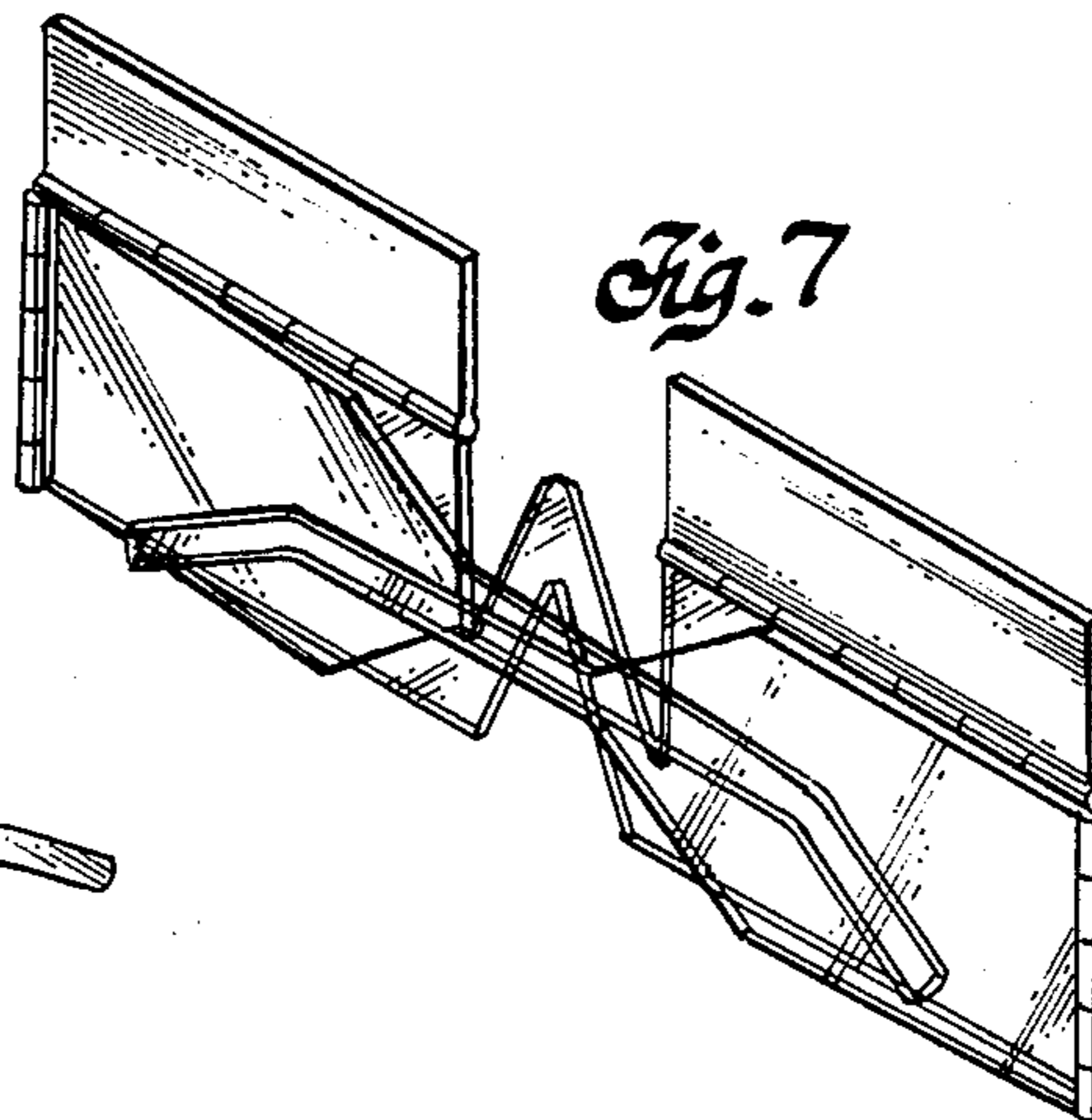


Fig. 4

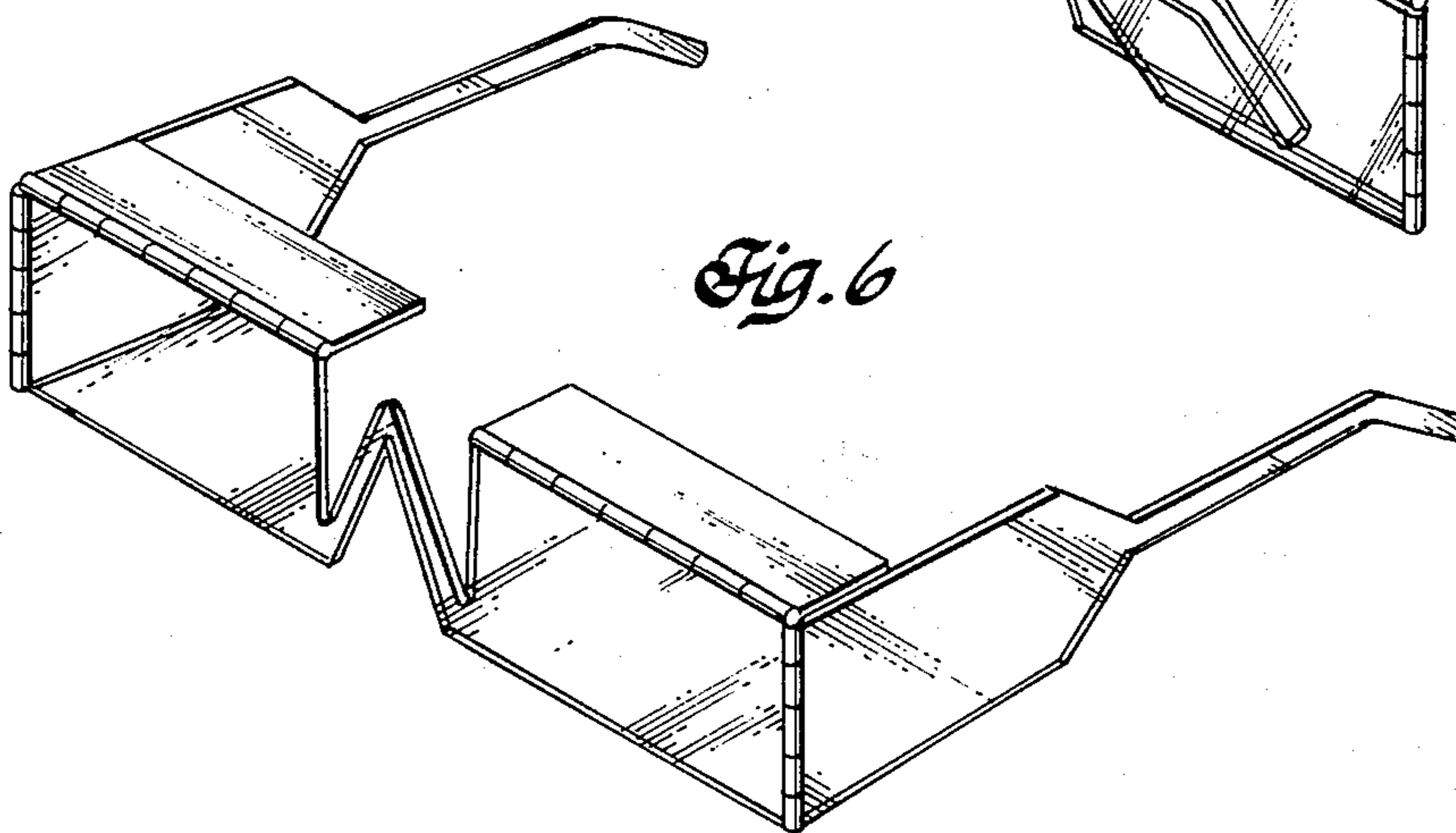




*Fig. 5*



*Fig. 7*



*Fig. 6*