

[54] COMBINED UNIT DOSE MEDICATION PACKAGING AND LABELING MACHINE

[75] Inventor: Elmer F. Chilcoate, Plainfield, Ind.

[73] Assignee: Econodose, Inc., Indianapolis, Ind.

[**] Term: 14 Years

[21] Appl. No.: 938,740

[22] Filed: Dec. 4, 1986

[52] U.S. Cl. D15/145

[58] Field of Search D15/145; 53/52, 501, 53/167, 411

[56] References Cited

U.S. PATENT DOCUMENTS

3,193,196	7/1965	Merrill et al.	53/501
3,473,287	10/1969	Littwin	53/501
3,492,779	2/1970	Russell	53/501

3,837,139	9/1974	Roseberg	53/501
4,013,192	3/1977	Pillon	53/501

Primary Examiner—B. J. Bullock
Attorney, Agent, or Firm—Woodard, Emhardt, Naughton, Moriarty & McNett

[57] CLAIM

The ornamental design for a combined unit dose medication packaging and labeling machine, as shown and described.

DESCRIPTION

FIG. 1 is a front elevational view of a combined unit dose medication packaging and labeling machine, showing my new design.

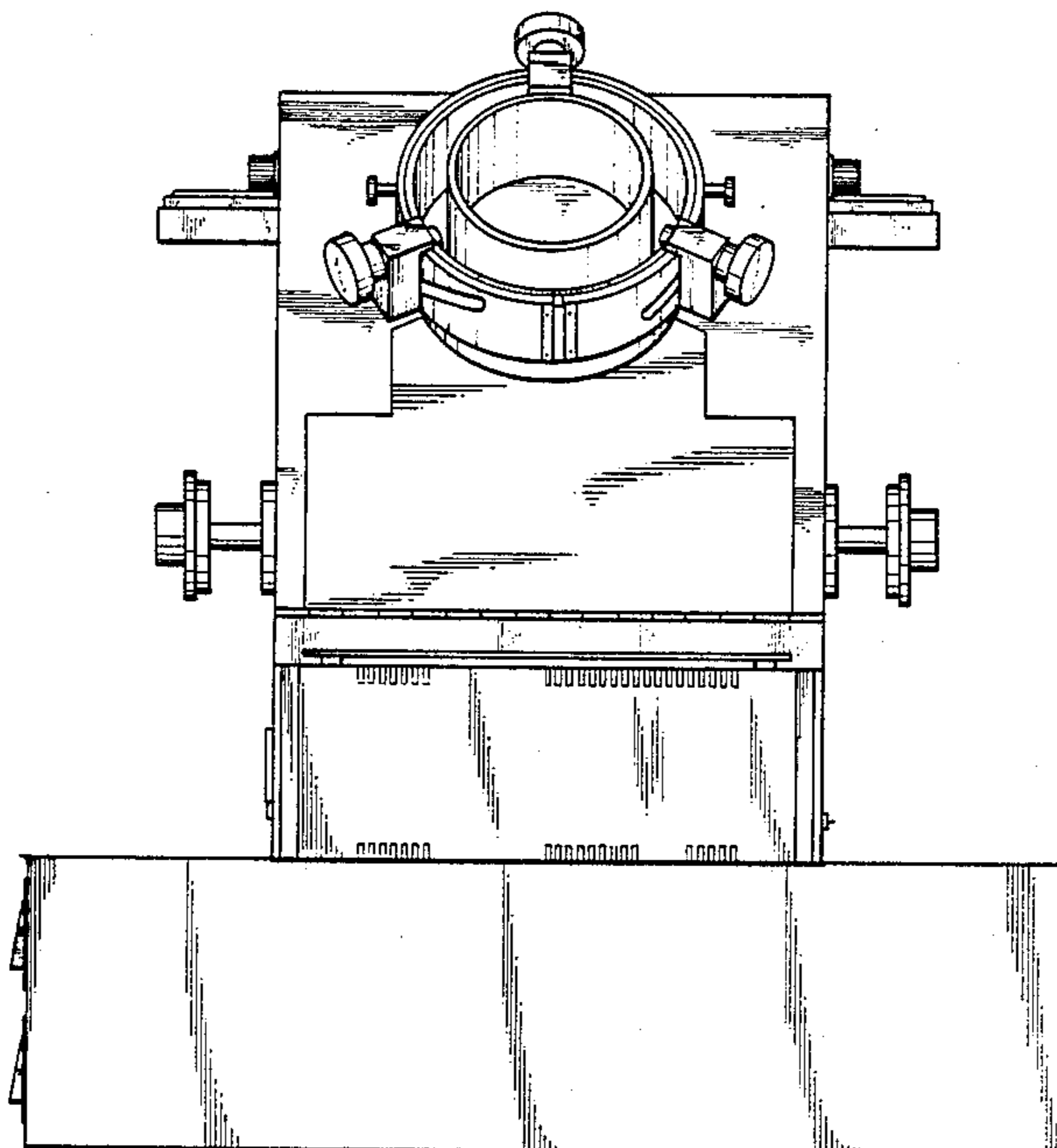
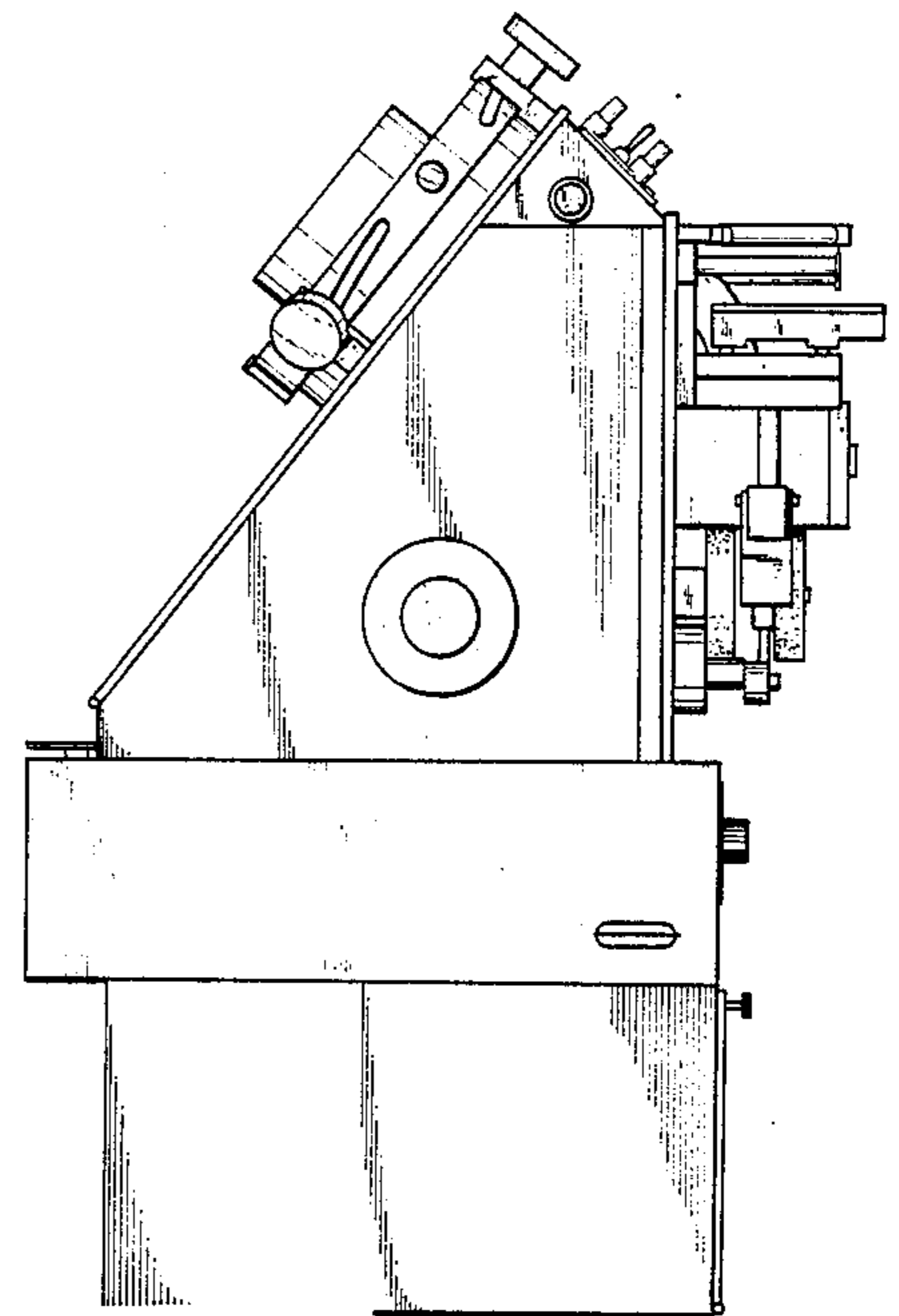
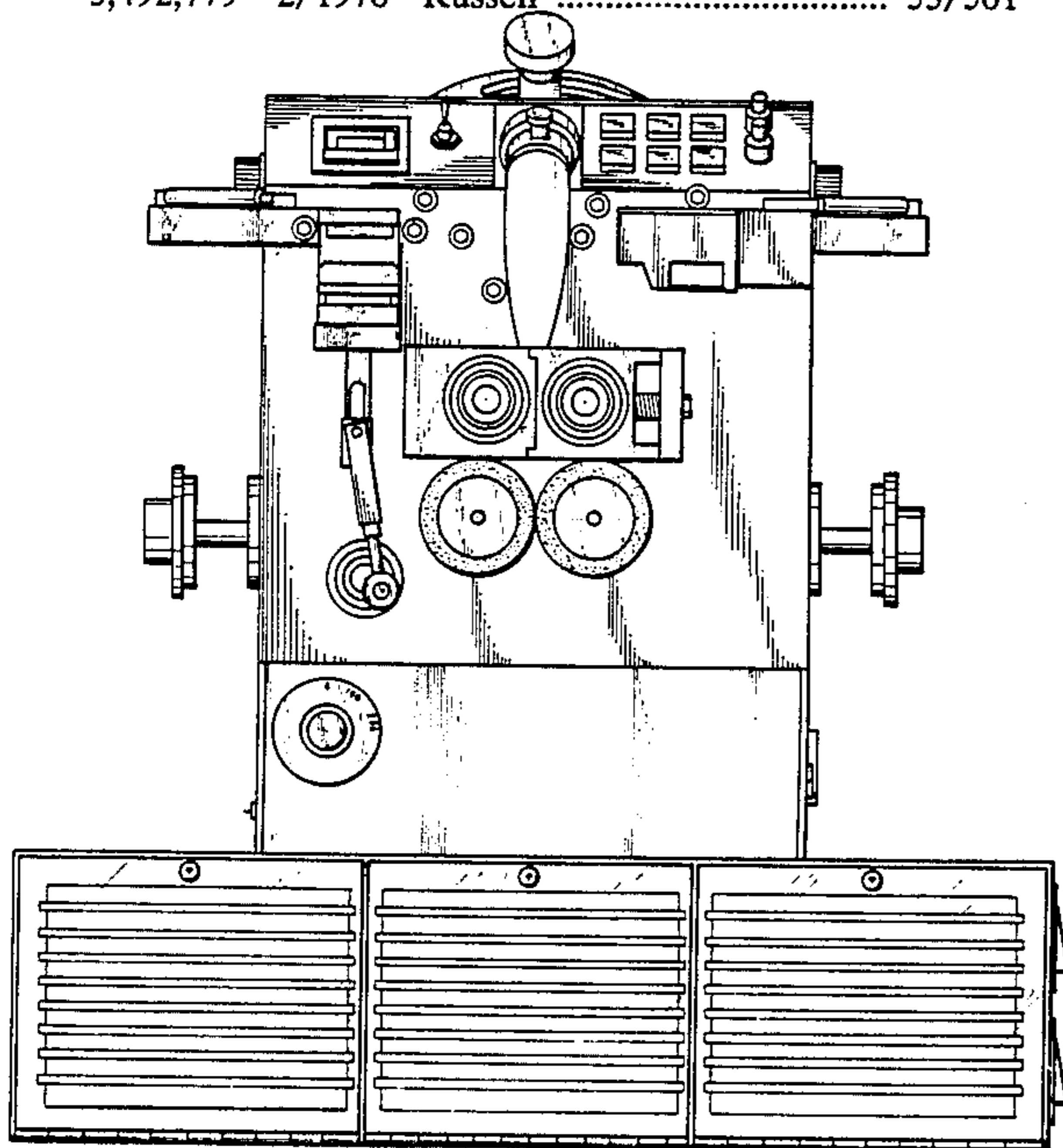
FIG. 2 is a left side view thereof.

FIG. 3 is a right side view thereof.

FIG. 4 is a rear view thereof.

FIG. 5 is a top plan view thereof.

The bottom is flat and unornamented.



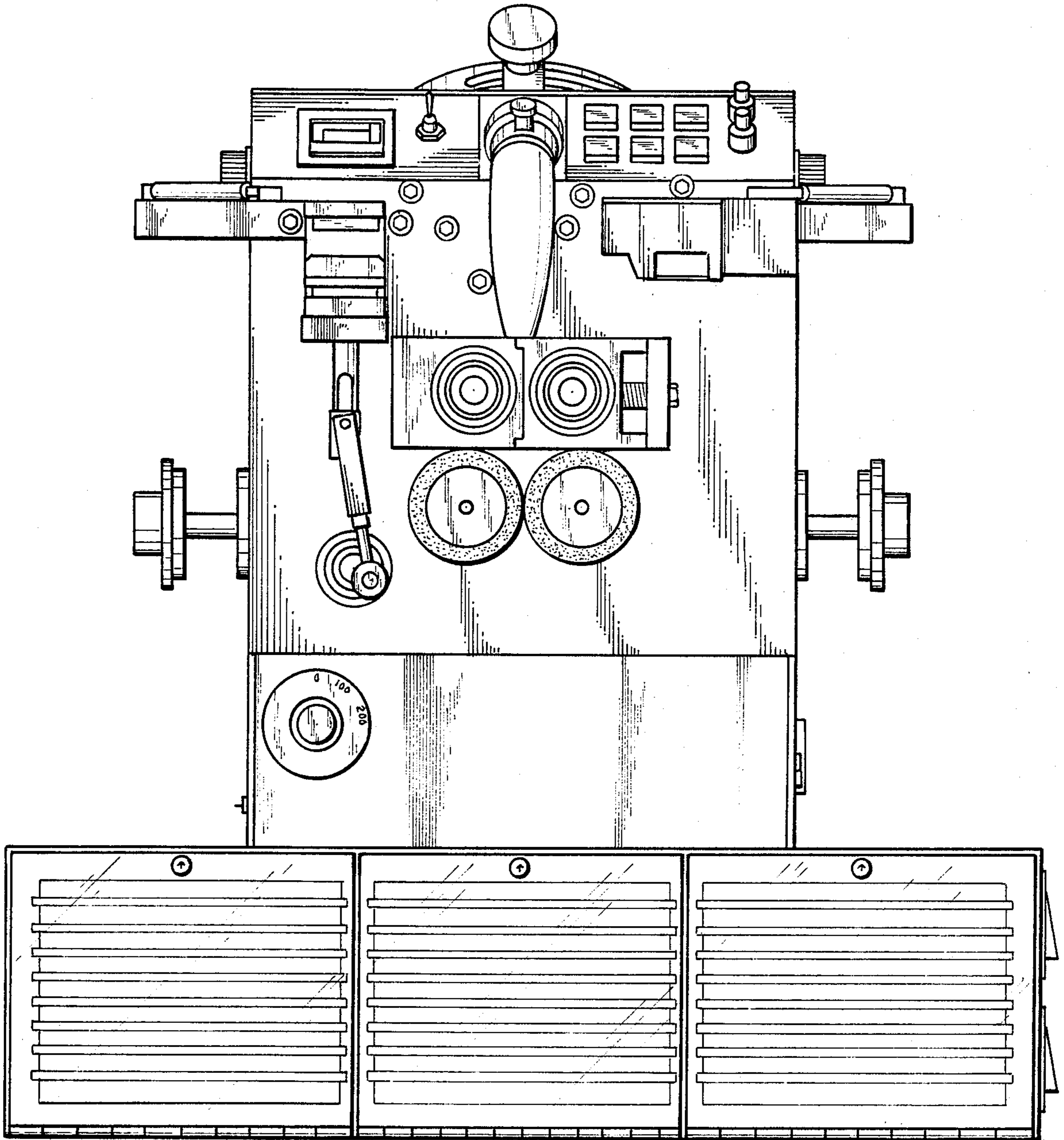


Fig.1

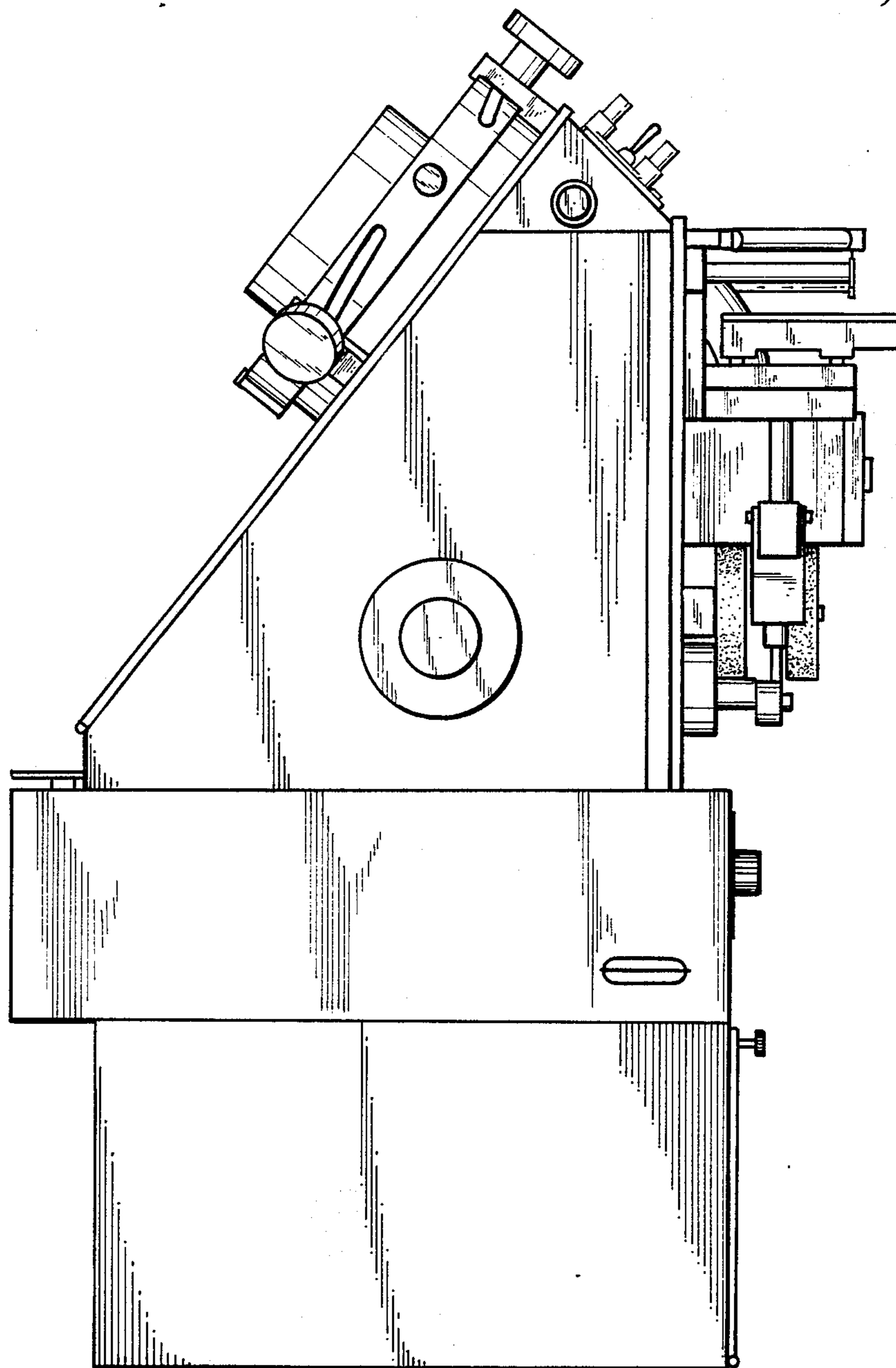


Fig.2

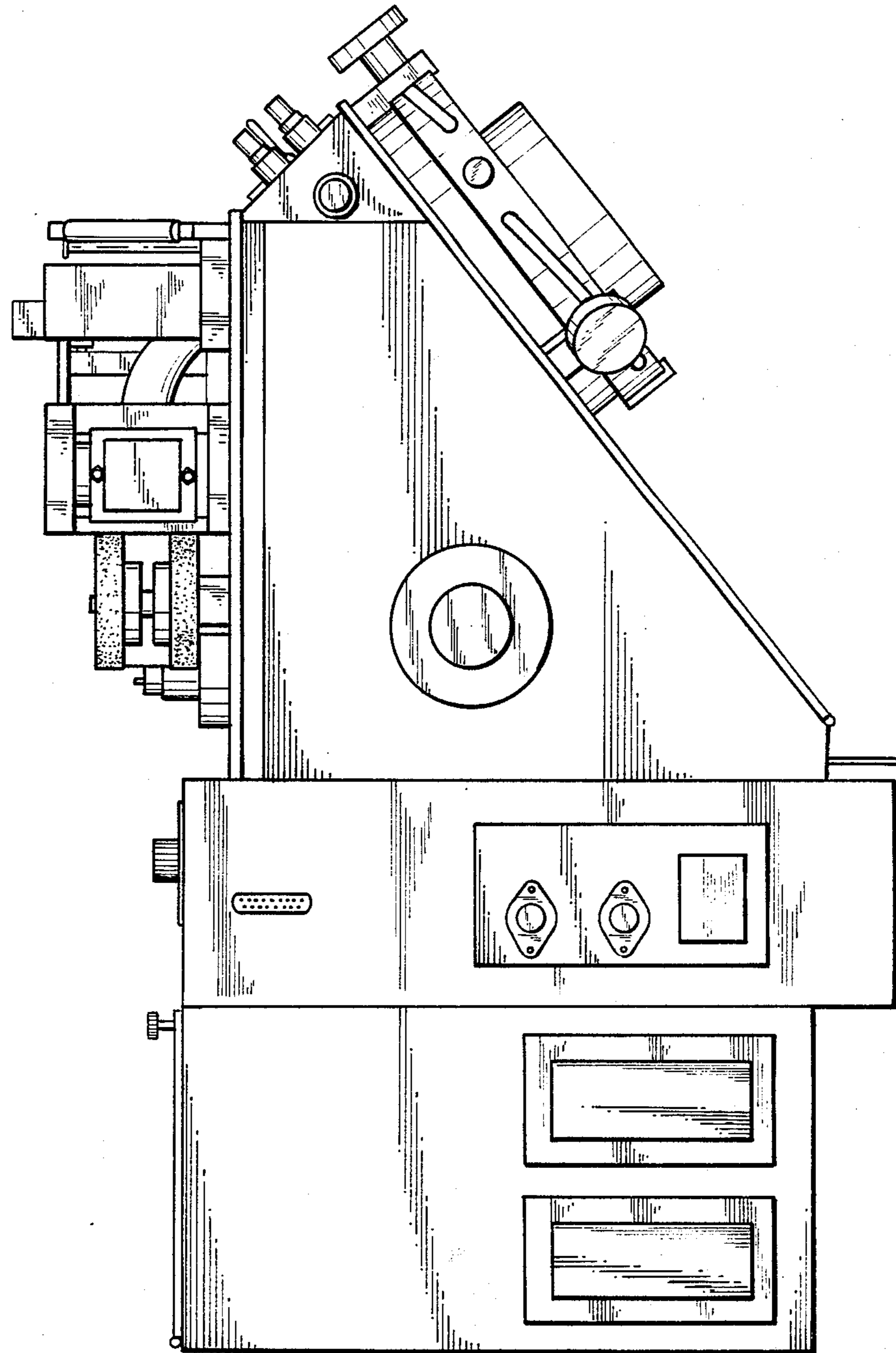


Fig. 3

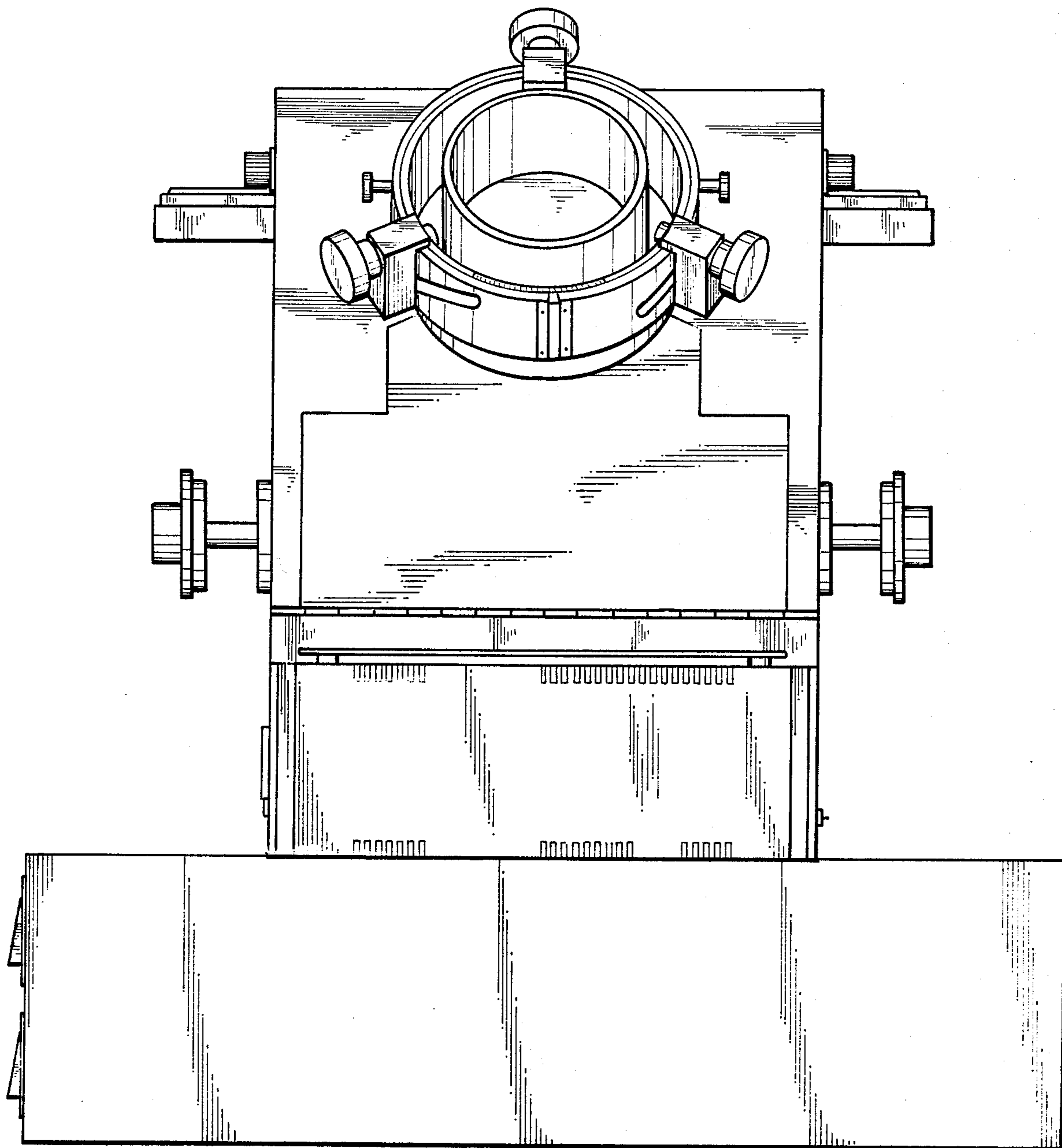


Fig.4

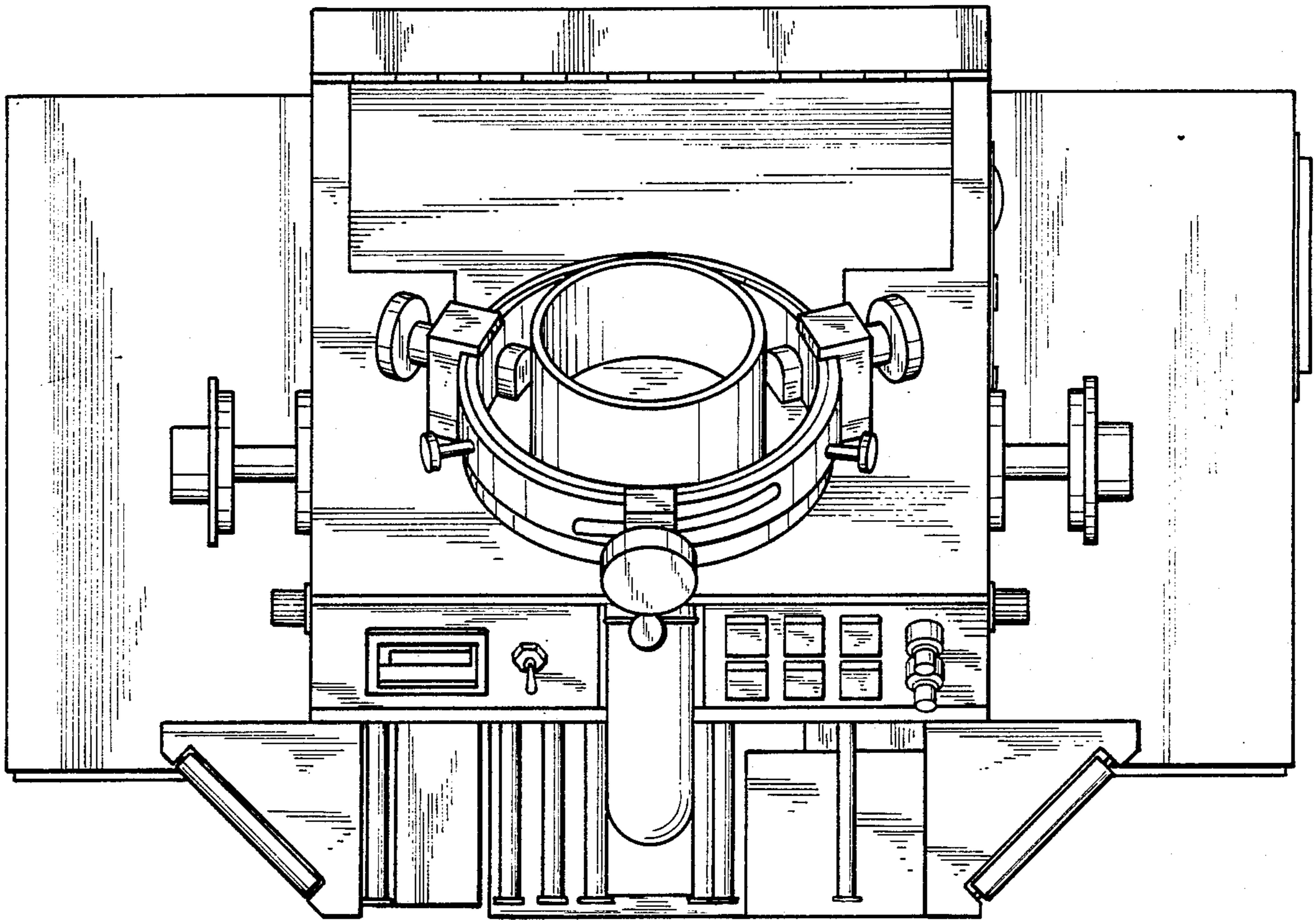


Fig.5