

[54] RADIO

[75] Inventor: Wing K. Lam, Hong Kong, Hong Kong

[73] Assignee: Win-Gold Electronics Co. Ltd., Hong Kong

[\*\*] Term: 14 Years

[21] Appl. No.: 820,154

[22] Filed: Jan. 21, 1986

[30] Foreign Application Priority Data

Jul. 23, 1985 [GB] United Kingdom ..... 1028106  
[52] U.S. Cl. .... D14/189; D21/84  
[58] Field of Search ..... D14/1, 5, 6, 68-77,  
D14/79-81; 455/344, 347, 350, 351; D21/84

[56]

References Cited

U.S. PATENT DOCUMENTS

D. 133,173	7/1942	Brooks, 2nd	.....	D14/69
D. 232,863	9/1974	Tong	.....	D14/68
D. 237,009	9/1975	Izuhara	.....	D14/68 X
D. 258,068	1/1981	Ostrum	.....	D14/68 X
D. 258,158	2/1981	Bunke	.....	D21/86
D. 266,263	9/1982	Zachar	.....	D21/86
D. 294,571	3/1988	Sabin et al.	.....	D14/68

Primary Examiner—Bernard Ansher  
Assistant Examiner—Theodore M. Shooman  
Attorney, Agent, or Firm—Bacon & Thomas

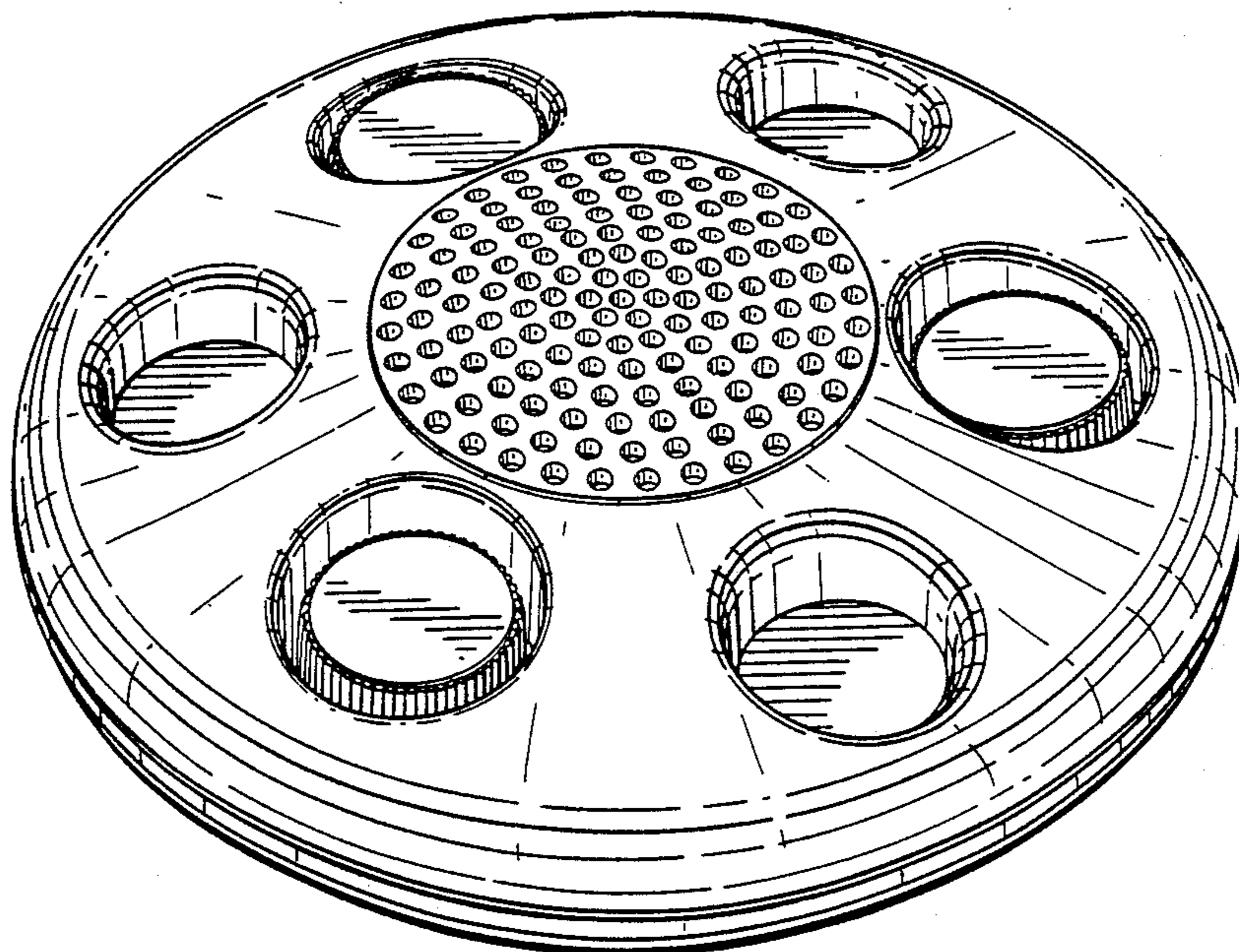
[57]

CLAIM

The ornamental design for a radio, as shown.

DESCRIPTION

FIG. 1 is a top and front perspective view of a radio showing my new design;  
FIG. 2 is a side elevational view thereof; and  
FIG. 3 is a bottom plan view thereof.



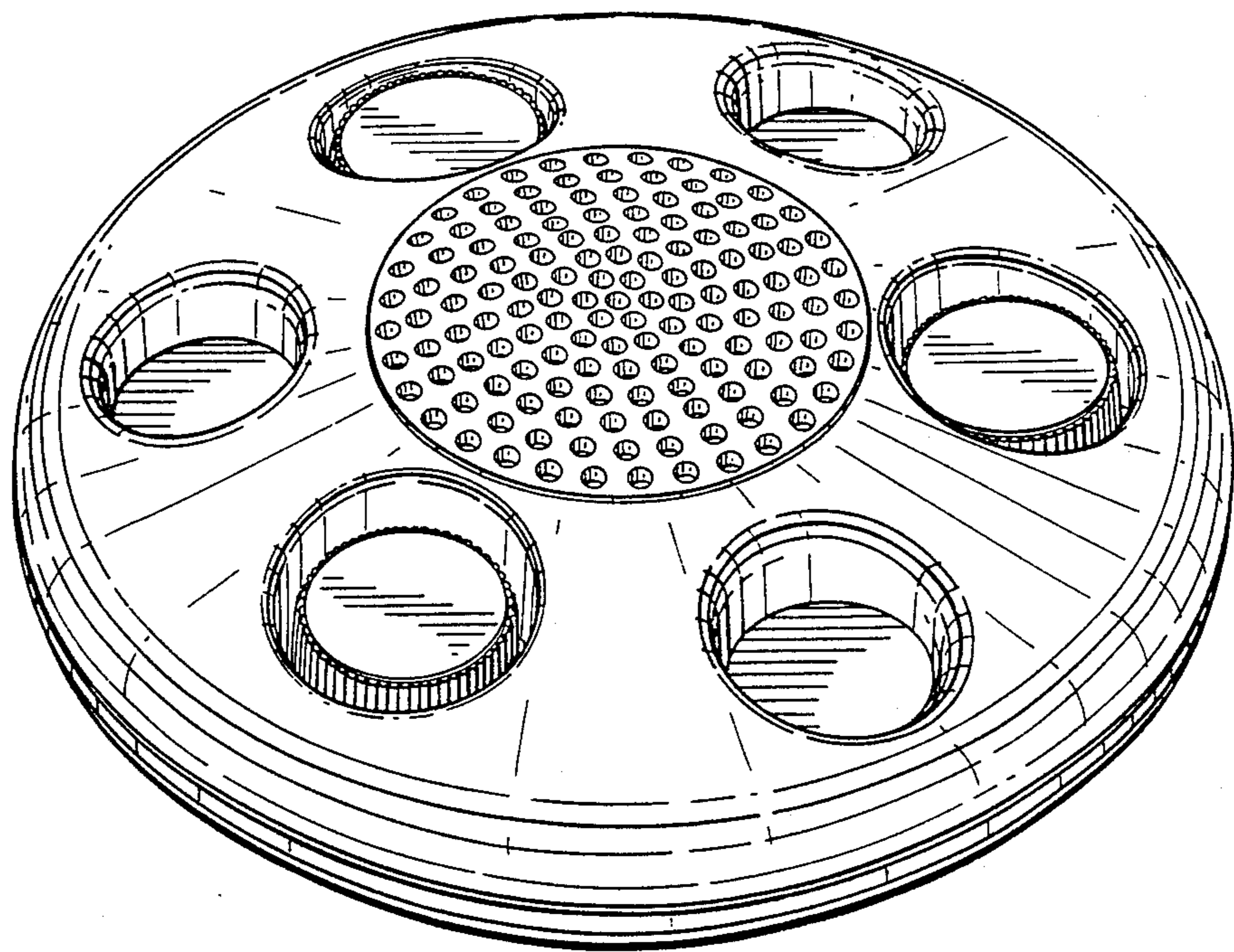


FIG.1.

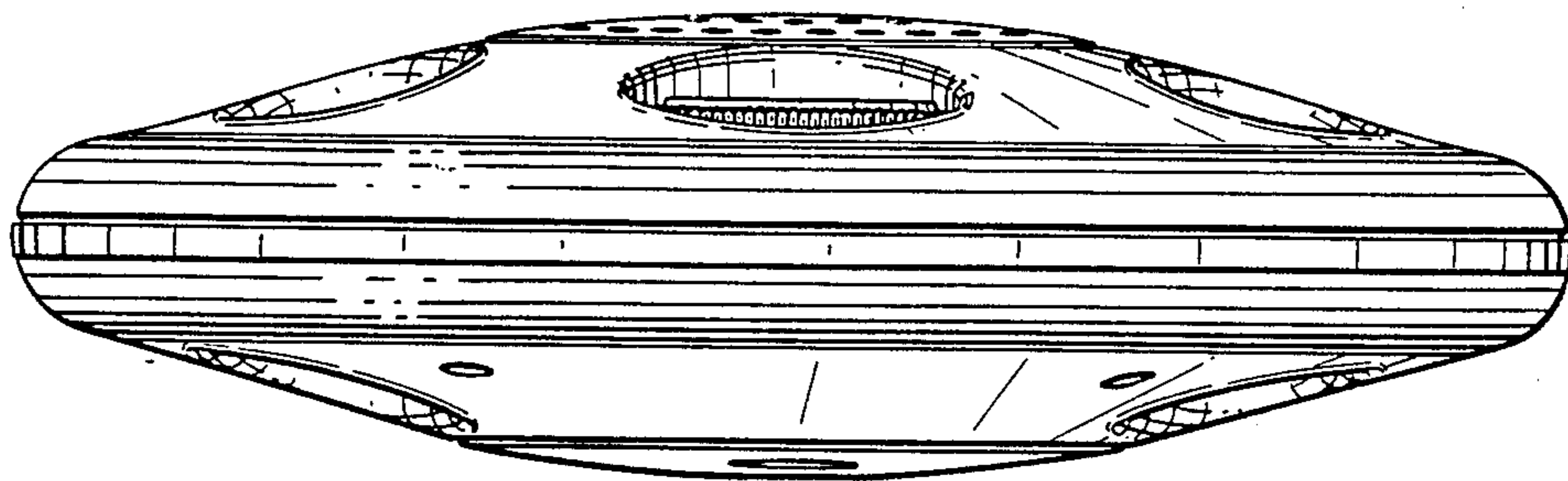


FIG. 2.

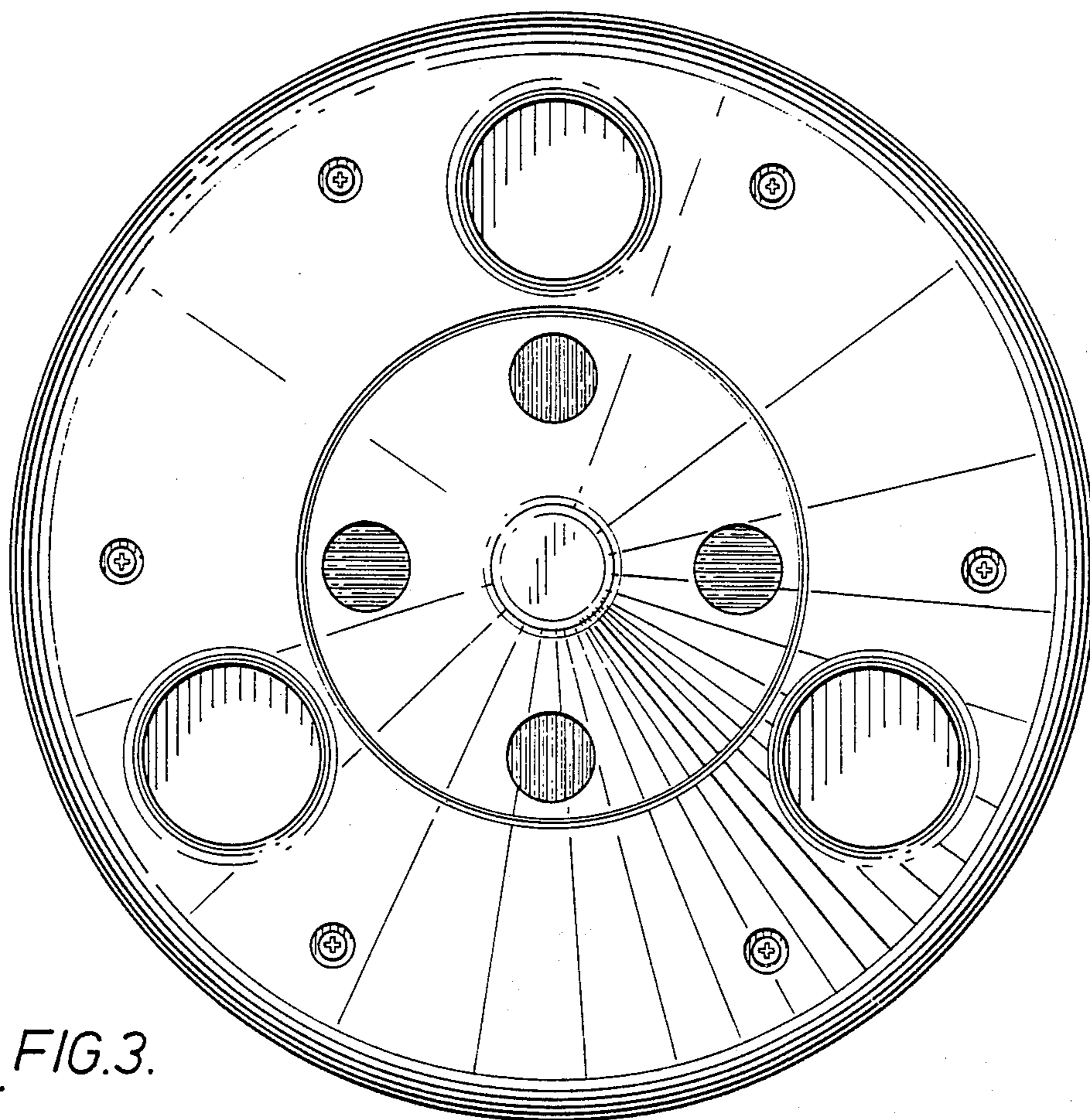


FIG. 3.