

[54] TELEPHONE SET

[75] Inventors: Marianne Stokholm; Gad Zorea, both of Risskov, Denmark

[73] Assignee: Standard Electric Kirk A.S., Horsens, Denmark

[**] Term: 14 Years

[21] Appl. No.: 84,065

[22] Filed: Aug. 11, 1987

[30] Foreign Application Priority Data

Feb. 11, 1987 [DK] Denmark 113/87

[52] U.S. Cl. D14/151

[58] Field of Search D14/53, 62, 58, 63, D14/57; 379/440, 419, 428, 433, 435, 436

[56] References Cited

U.S. PATENT DOCUMENTS

- D. 269,268 7/1983 Ko D14/58 X
- D. 282,659 2/1986 Abrams D14/64 X
- D. 284,190 6/1986 Ando et al. D14/58
- D. 291,082 7/1987 Büchin D14/53
- D. 291,308 8/1987 Preussner et al. D14/62
- D. 291,692 9/1987 Recd et al. D14/58 X
- D. 293,320 12/1987 Ng D14/58

- D. 295,624 5/1988 Garcie D14/53 X
- D. 295,743 5/1985 Weisz et al. D14/58
- D. 296,784 7/1988 Yamagishi D14/53 X
- D. 296,893 7/1988 Toniuchi et al. D14/62 X

Primary Examiner—Horace B. Fay, Jr.
Attorney, Agent, or Firm—Spencer & Frank

[57] CLAIM

The ornamental design for a telephone set, as shown and described.

DESCRIPTION

FIG. 1 is a left side, top and front perspective view of a telephone set showing our new design is cradled relationship;

FIG. 2 is a front elevational view thereof;

FIG. 3 is a top plan view thereof;

FIG. 4 is a rear elevational view thereof;

FIGS. 5 and 6 are respectively right and left side elevational views thereof;

FIG. 7 is a bottom plan view thereof;

FIG. 8 is a left side, top and front perspective view of the telephone stand of the set shown alone for clarity of illustration;

FIGS. 9 and 10 are respectively a right side elevational view of the headset and a bottom plan view of the handset, both shown alone for clarity of illustration.

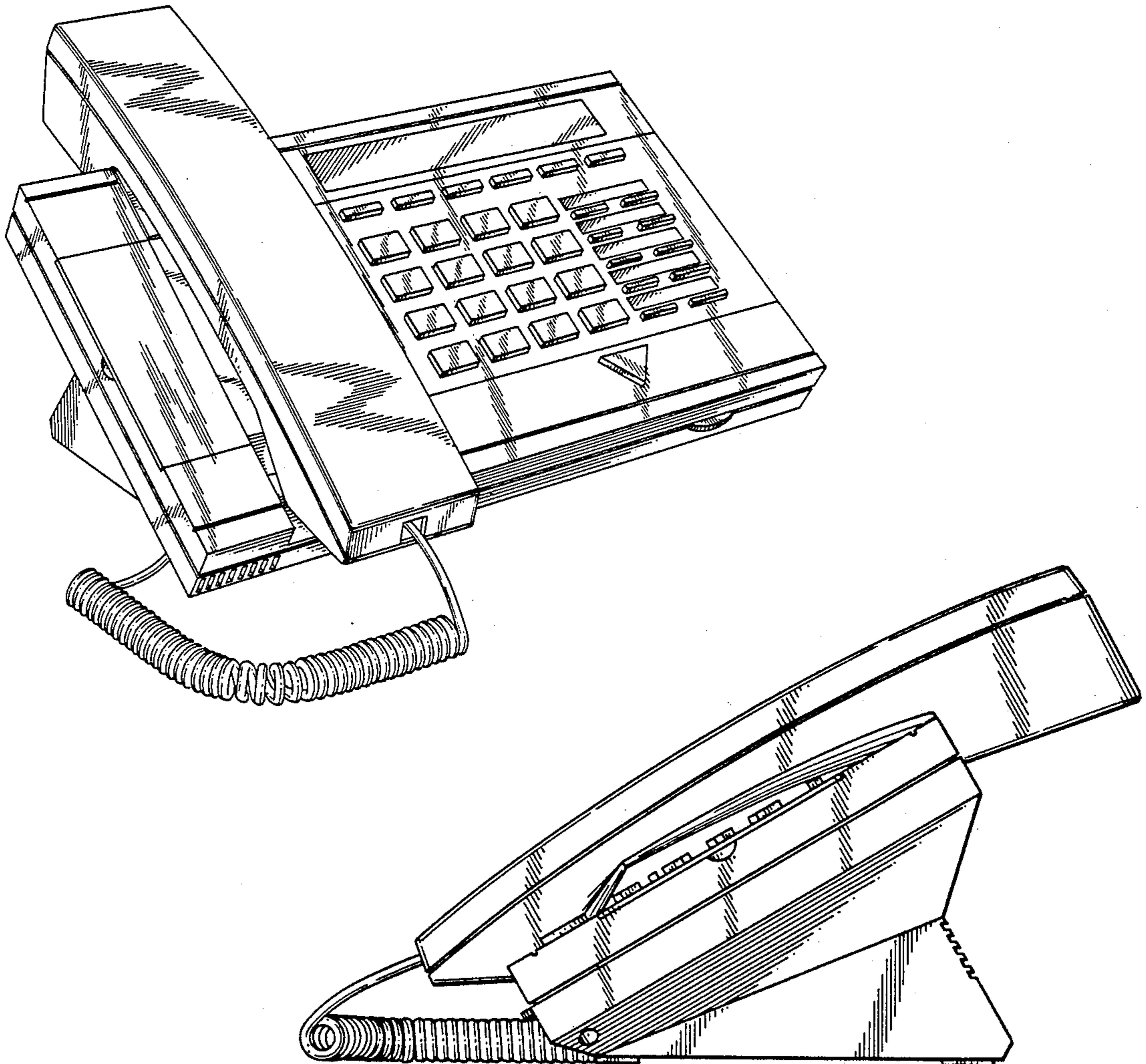


FIG. 1

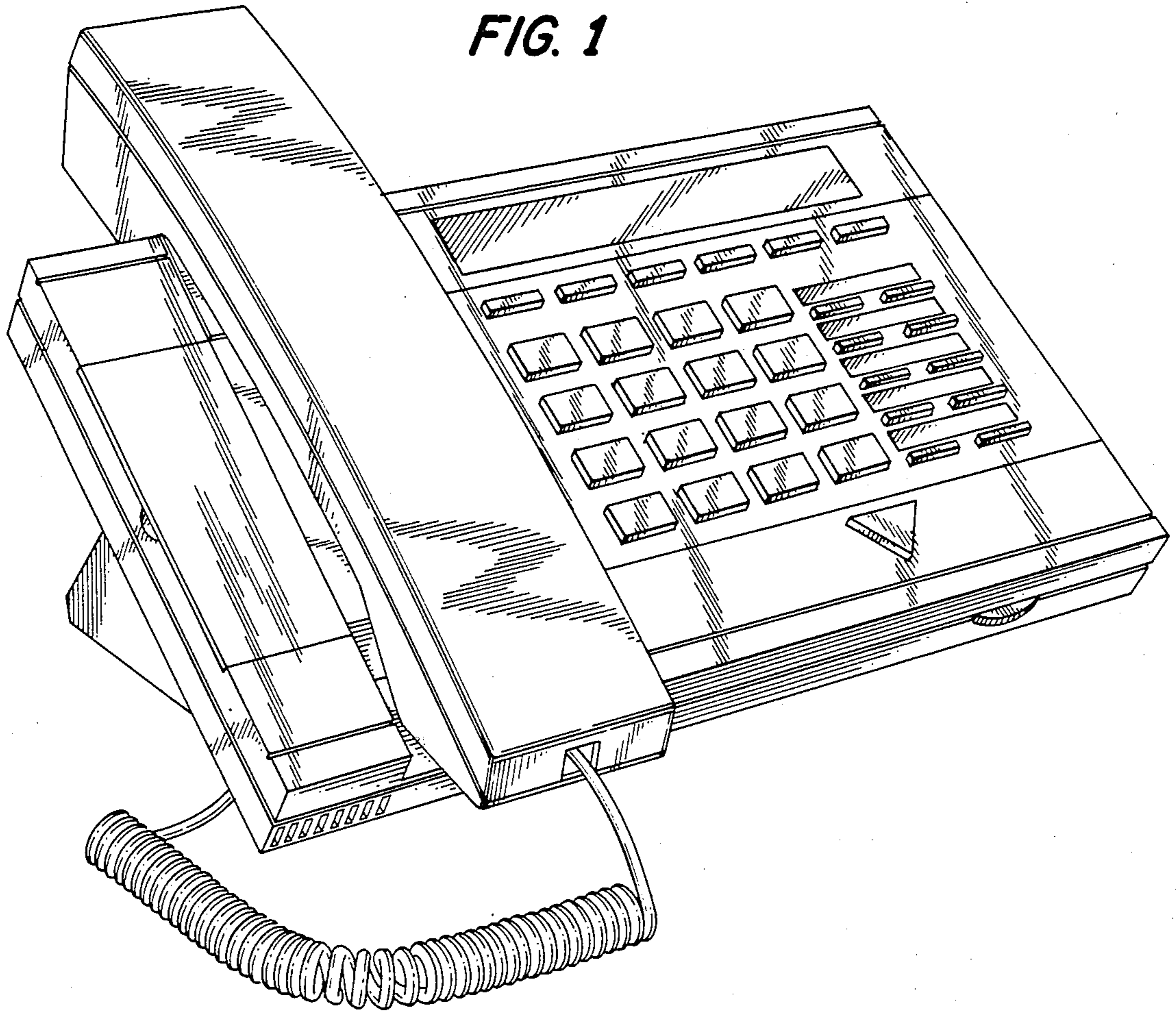


FIG. 2

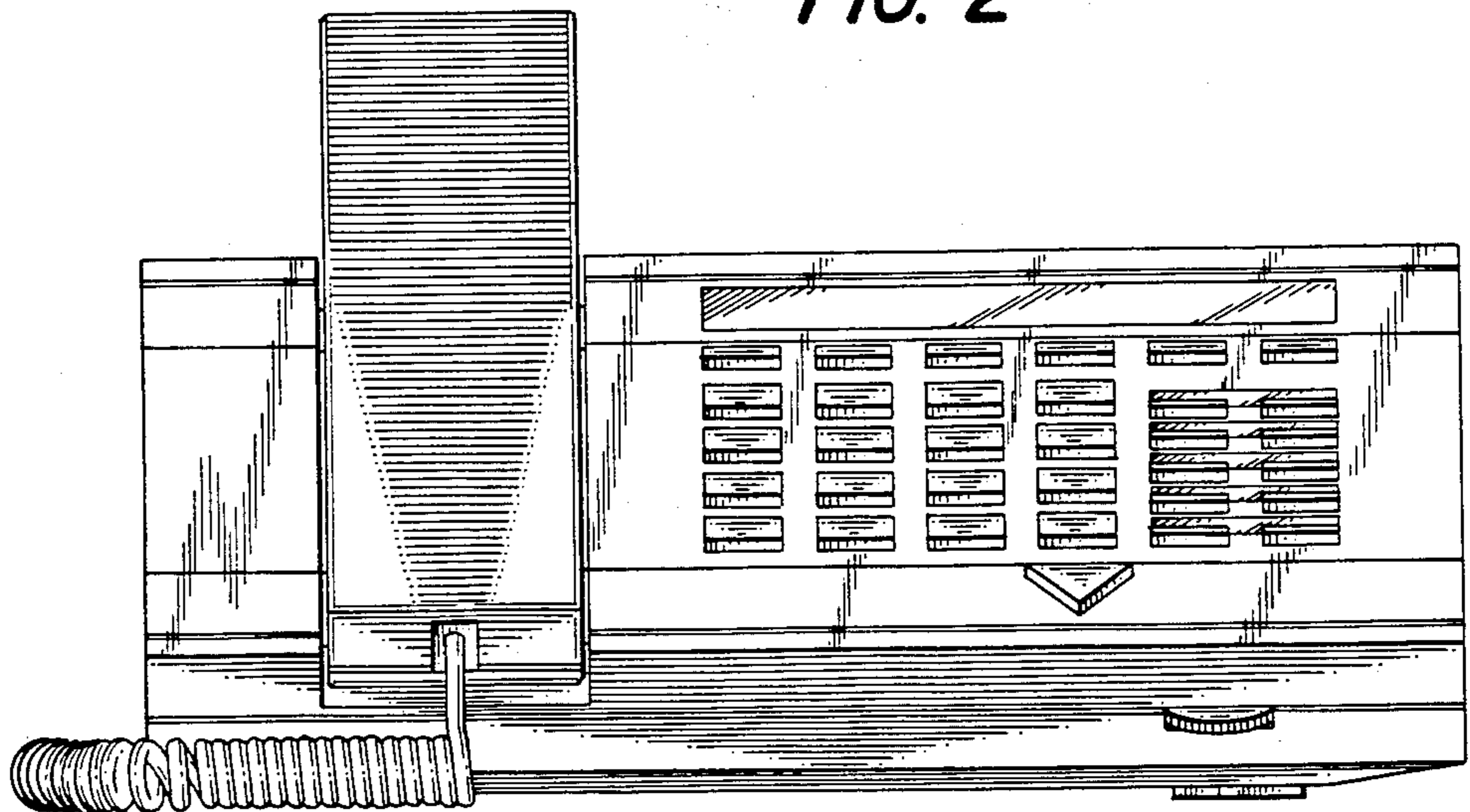


FIG. 3

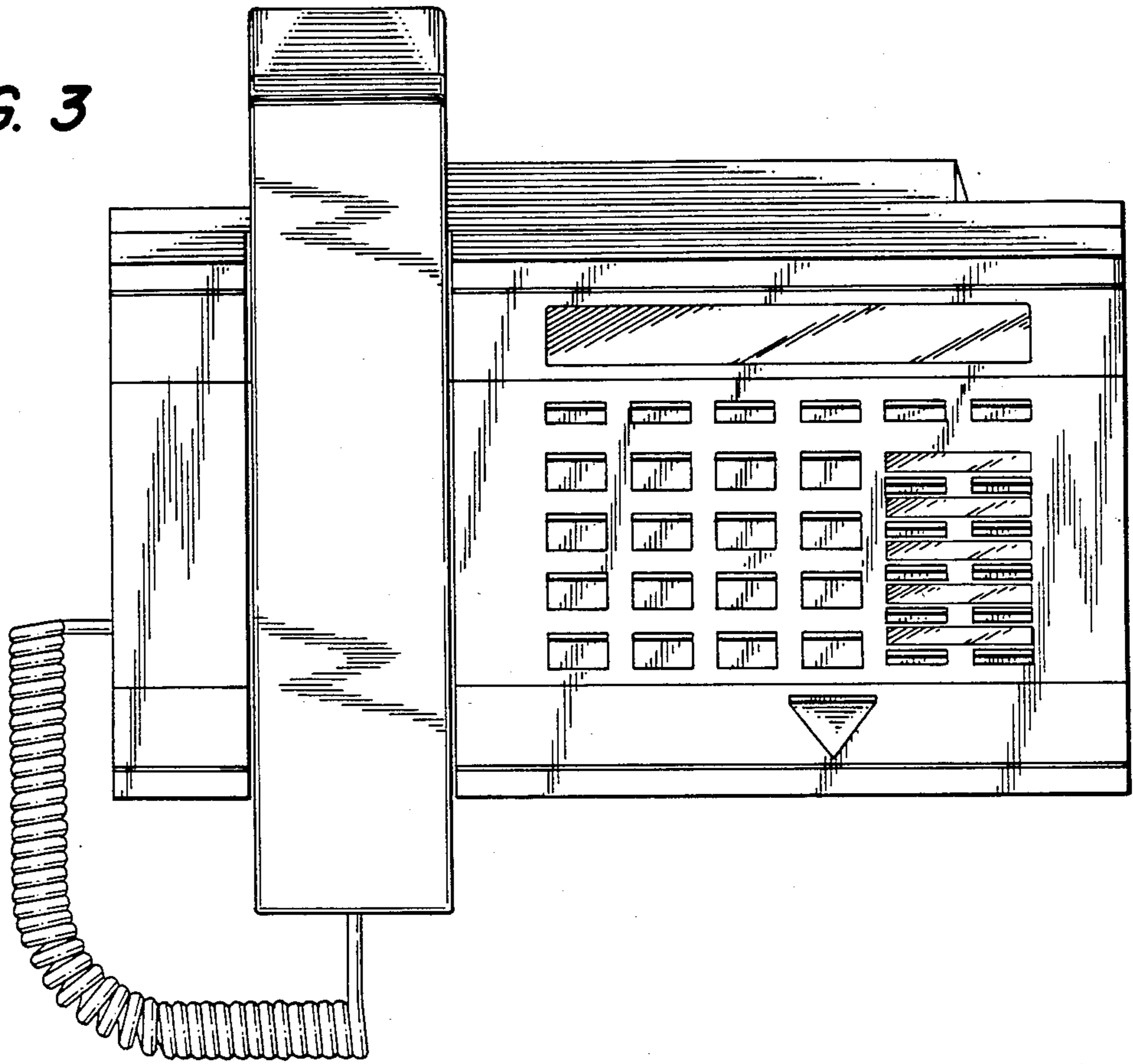


FIG. 4

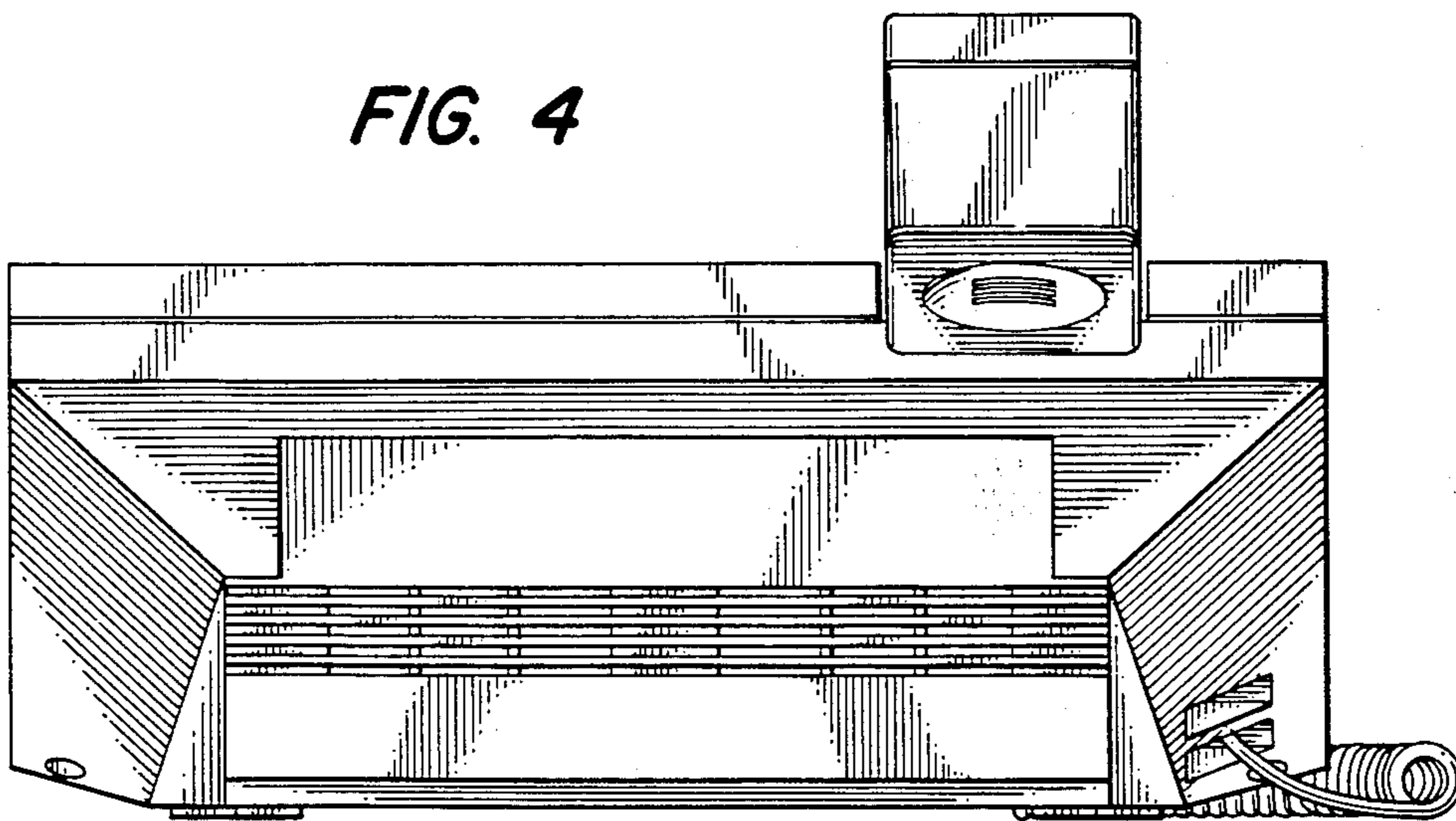


FIG. 5

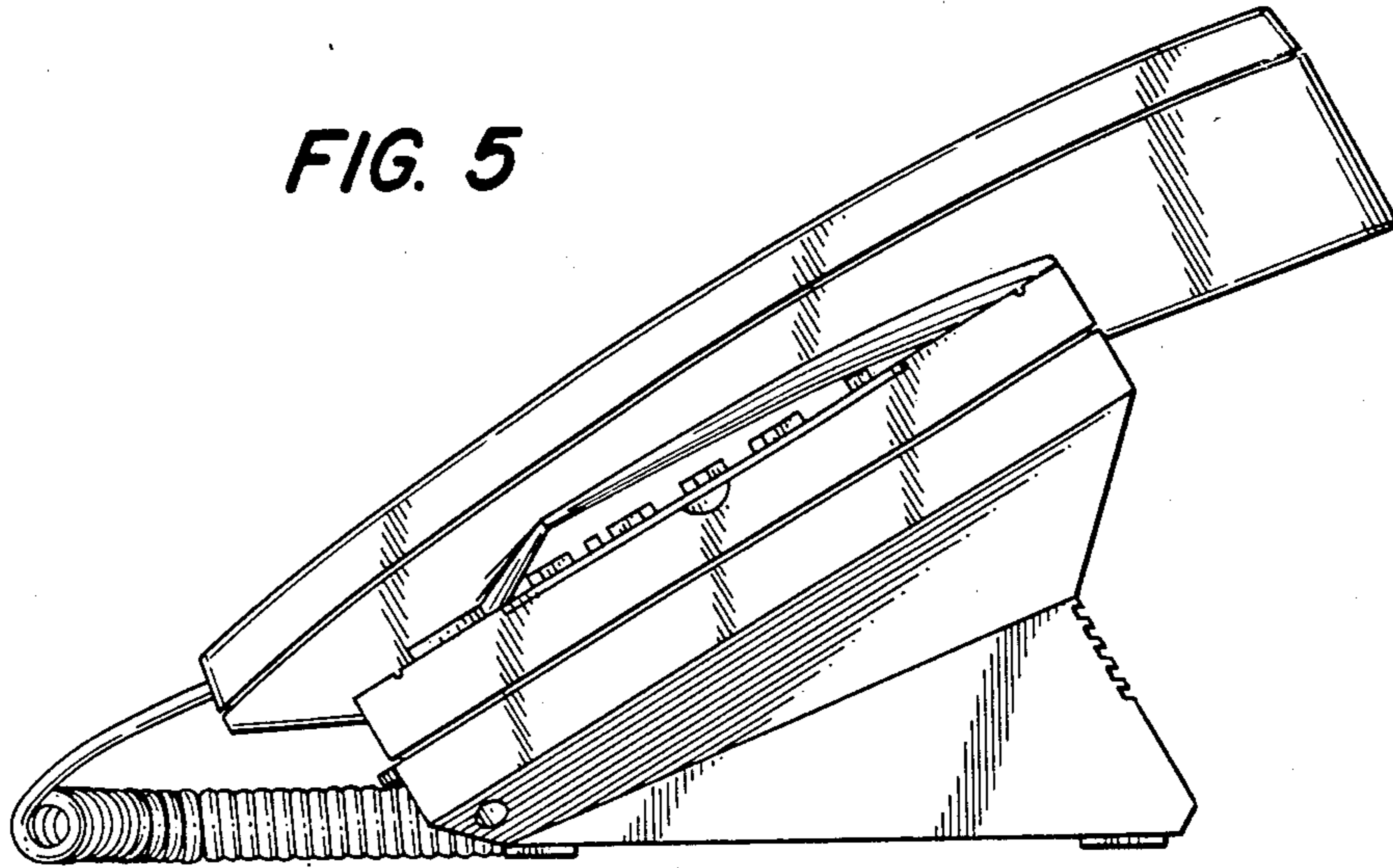


FIG. 6

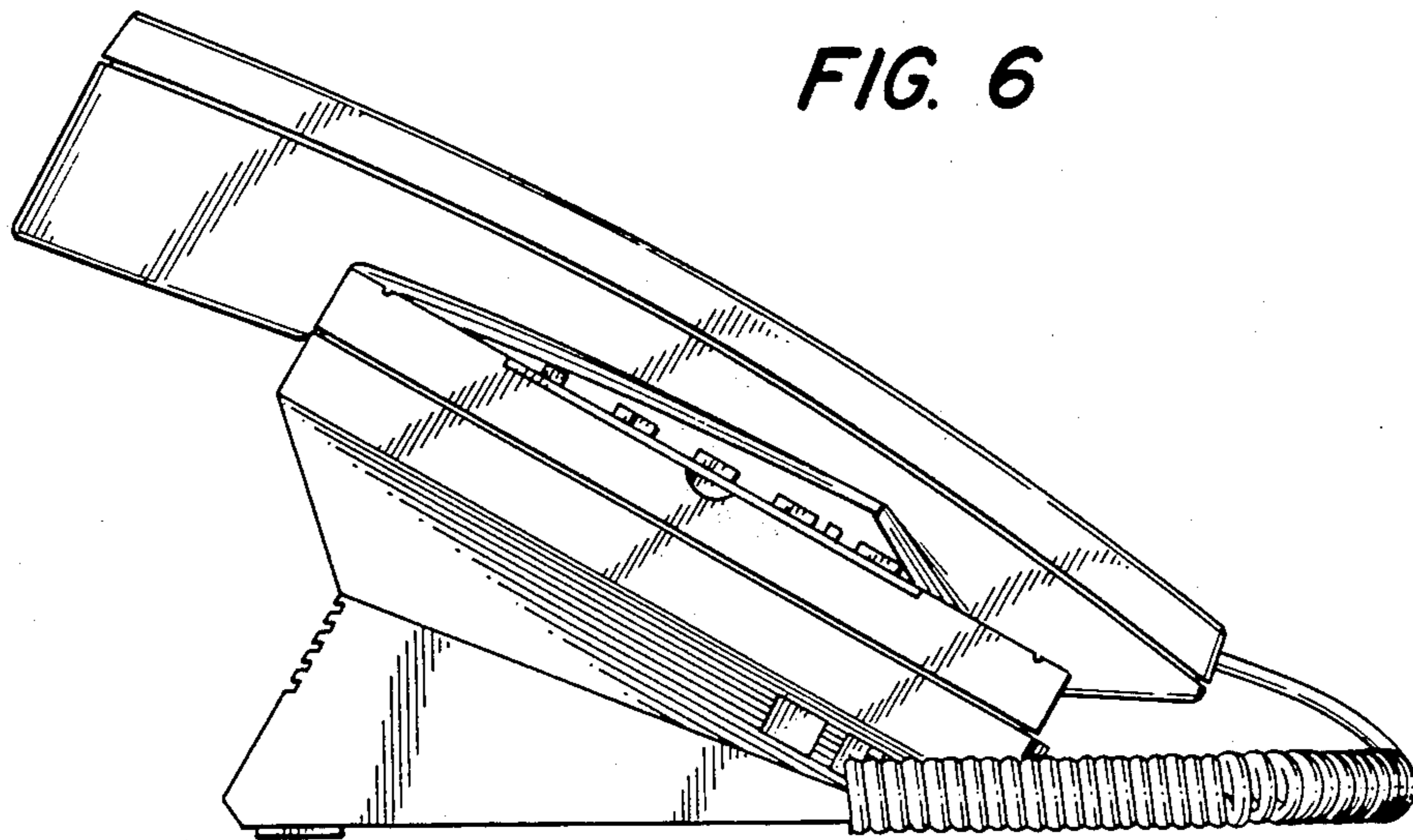


FIG. 7

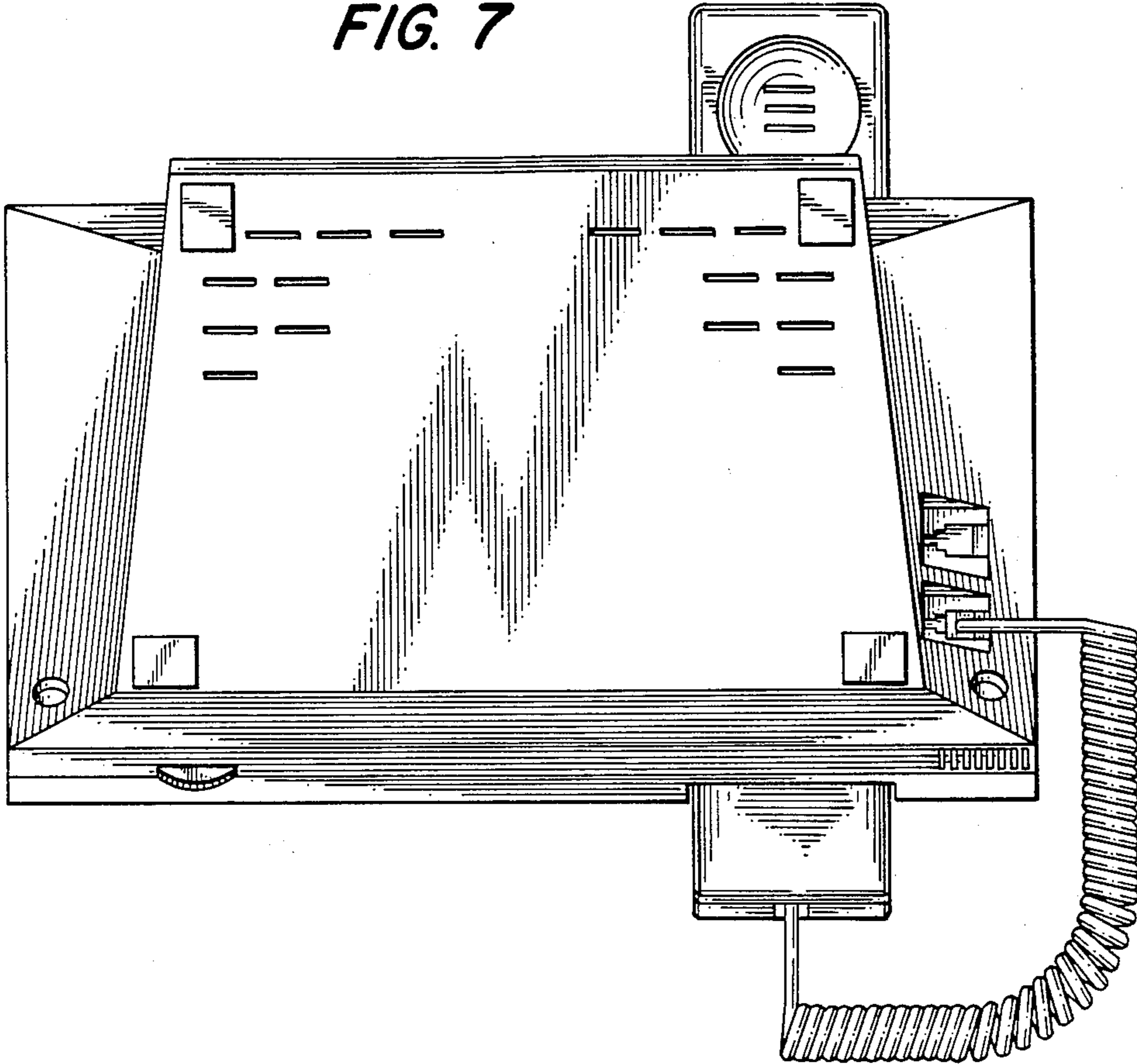


FIG. 8

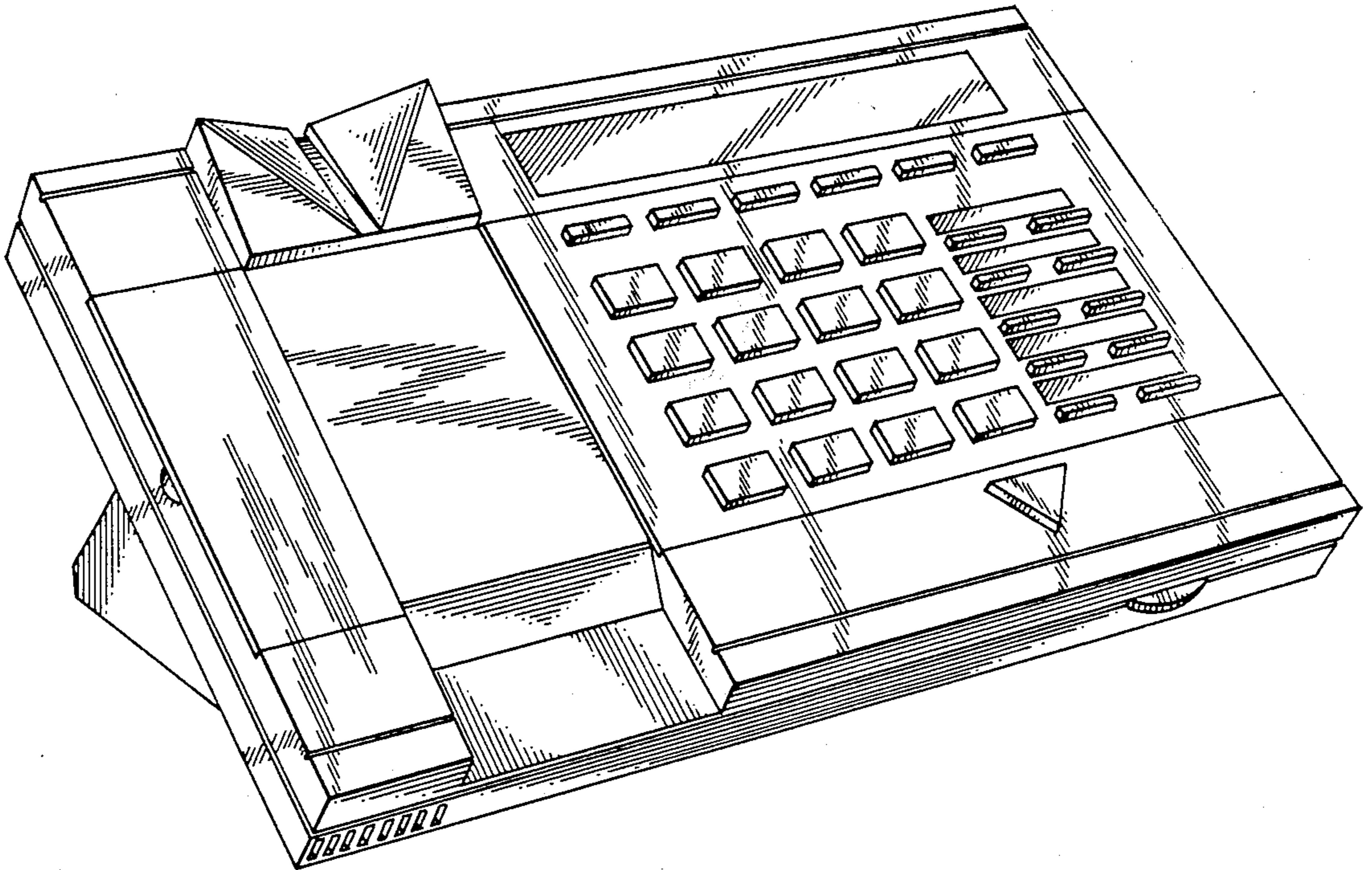


FIG. 9



FIG. 10

