

# United States Patent [19]

Ortega

[11] Patent Number: Des. 300,316

[45] Date of Patent: \*\* Mar. 21, 1989

[54] PANEL SWITCH UNIT

[75] Inventor: Charles J. Ortega, Los Angeles, Calif.

[73] Assignee: Xantech Corporation, Sylmar, Calif.

[\*\*] Term: 14 Years

[21] Appl. No.: 895,718

[22] Filed: Aug. 12, 1986

[52] U.S. Cl. .... D13/35; D8/353; D13/37

[58] Field of Search ..... D8/350, 353; D13/37, D13/38, 32, 35; 200/339; 220/241; 362/95; 174/66

[56] References Cited

### U.S. PATENT DOCUMENTS

D. 208,863 10/1967 Collins et al. .... D13/38

D. 272,241 1/1984 Dahlgren, Jr. et al. .... D13/35  
D. 282,462 2/1986 Hart ..... D13/32  
3,342,967 9/1967 Brand et al. .... 200/339  
3,619,475 11/1971 Bailey ..... 174/66

### OTHER PUBLICATIONS

House & Home; 1/1961; p. 273; switch with four buttons.

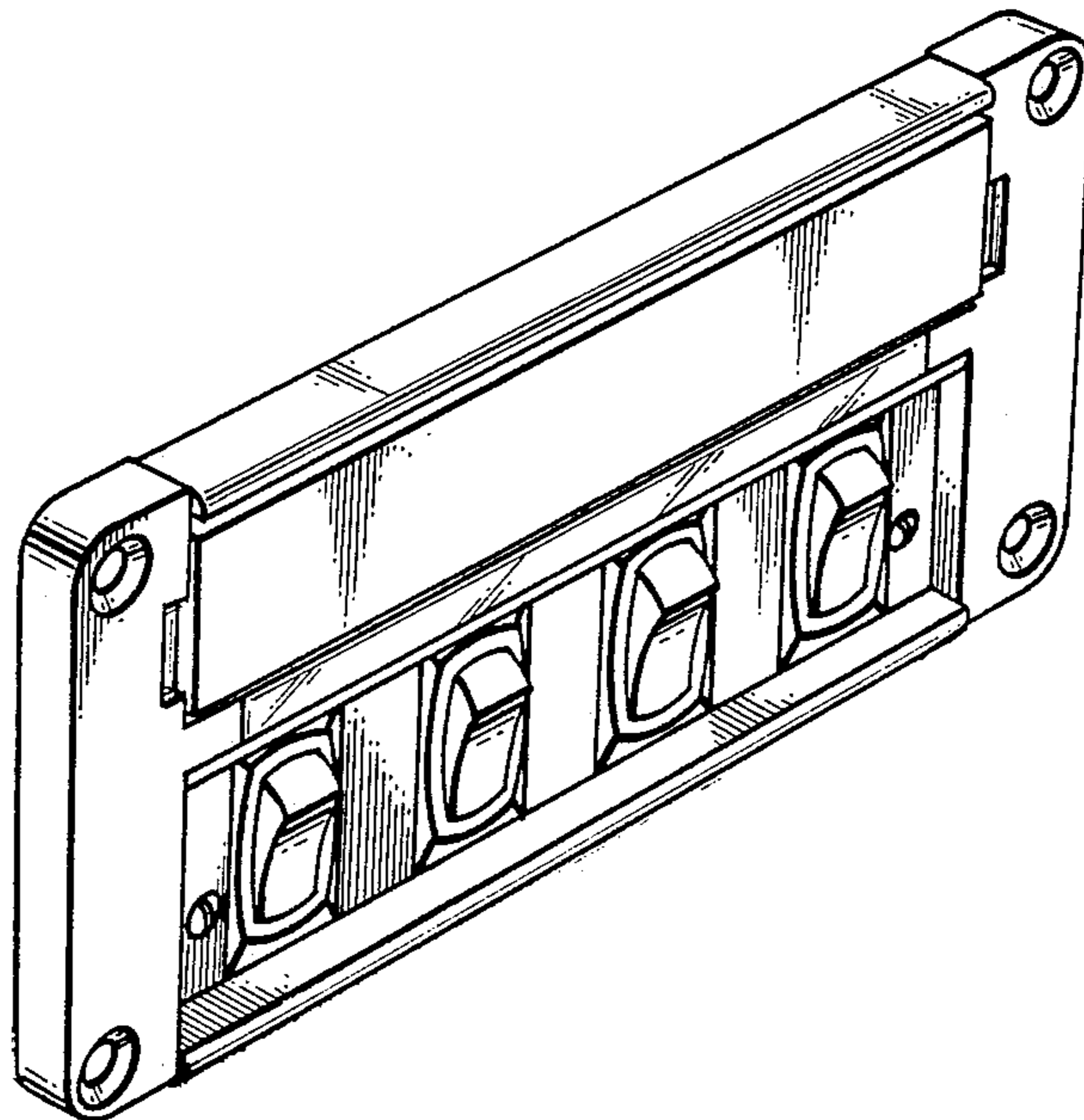
Primary Examiner—B. J. Bullock  
Attorney, Agent, or Firm—Fred Flam

### [57] CLAIM

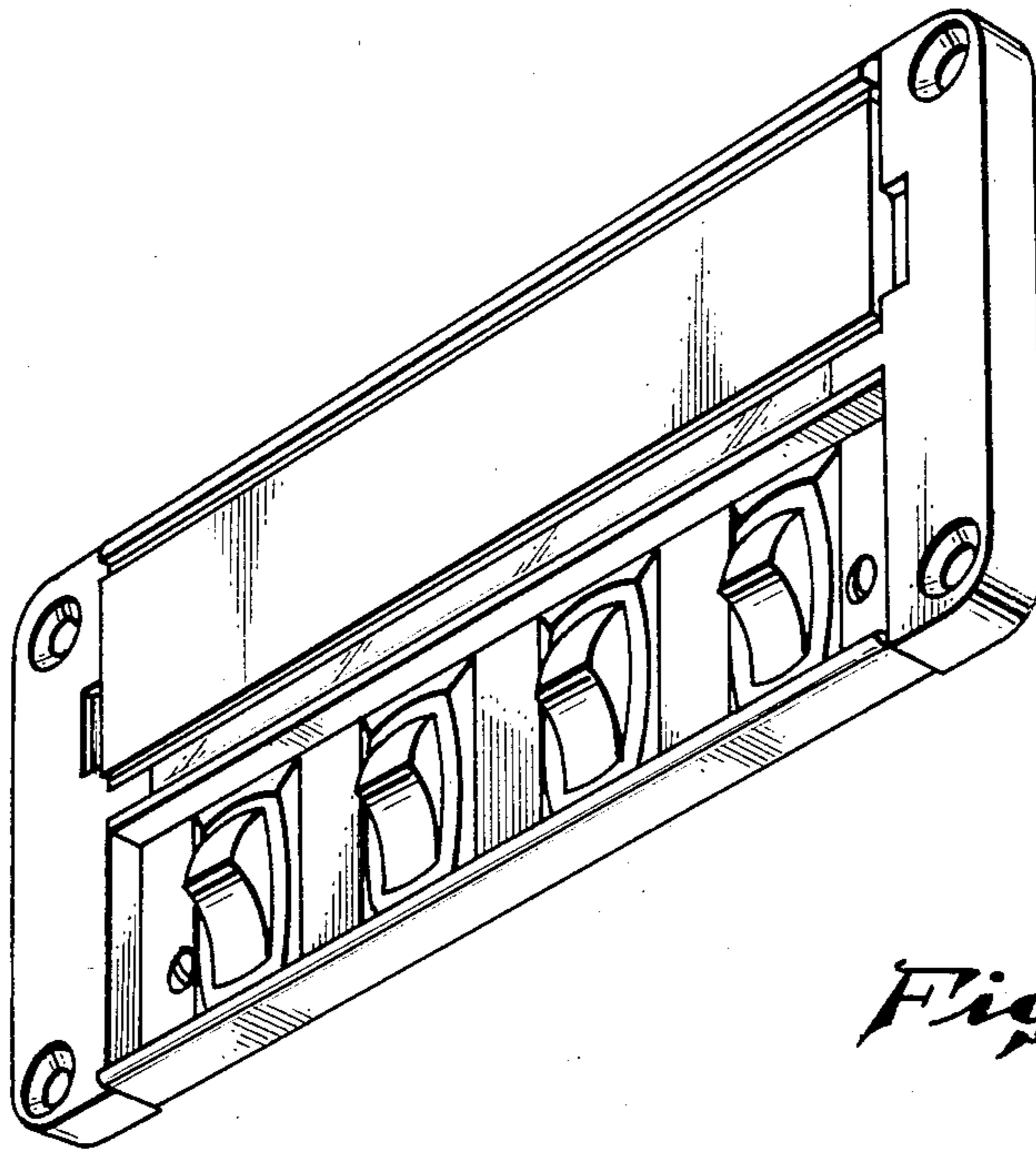
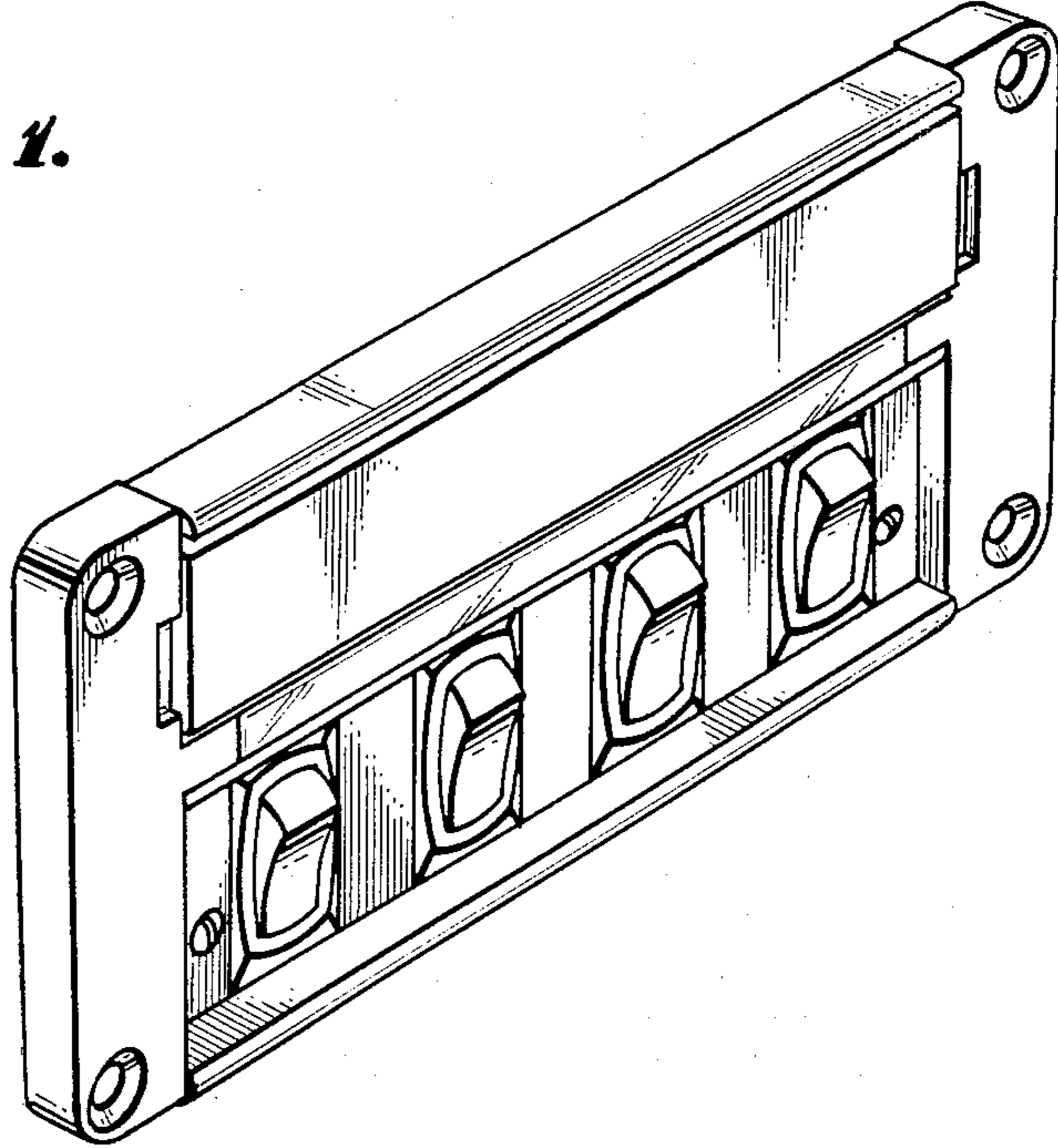
The ornamental design for a panel switch unit, as shown and described.

### DESCRIPTION

FIG. 1 is a top, left perspective view of a panel switch unit showing my new design;  
FIG. 2 is a bottom, right perspective view thereof.  
The rear is unornamented.



*Fig. 1.*



*Fig. 2.*