

[54] COMBINED CIRCUIT BREAKER AND ACCESSORIES THEREFOR

[75] Inventor: Christian Thomas, Montesson, France

[73] Assignee: La Telemecanique Electrique, France

[**] Term: 14 Years

[21] Appl. No.: 636,472

[22] Filed: Jul. 31, 1984

[30] Foreign Application Priority Data

Jan. 31, 1984 [FR] France 84 0401

[52] U.S. Cl. D13/34

[58] Field of Search D13/4, 11-13, D13/32-35, 37-41, 99; 335/7, 17, 20; 361/102, 115, 353, 354, 357, 435; 200/293-294, 296-297, 302-303; 337/186-187, 190, 194, 199, 208

[56] References Cited

U.S. PATENT DOCUMENTS

D. 221,861	9/1971	Davis	D13/34
D. 239,628	4/1976	Nicol	D13/34
3,970,975	7/1976	Gryctko	335/17
4,272,687	6/1981	Borkan	361/115
4,281,359	7/1981	Bayer et al.	361/357
4,492,941	1/1985	Nagel	361/102

Primary Examiner—Wallace R. Burke
Assistant Examiner—Ruth Takemoto
Attorney, Agent, or Firm—William A. Drucker

[57] CLAIM

The ornamental design for a combined circuit breaker and accessories therefor, as shown.

DESCRIPTION

FIG. 1 is a front perspective view of a combined circuit

breaker and accessories therefor showing my new design;

FIG. 2 is a bottom, front and left side perspective view thereof;

FIG. 3 is a bottom, front and right side perspective view thereof;

FIG. 4 is a top, front and left side perspective view thereof;

FIG. 5 is a top, front and right side perspective view thereof;

FIG. 6 is an exploded perspective view thereof, of the top, front and right side;

FIG. 7 is an exploded perspective view thereof, of the top, front and left side;

FIG. 8 is an exploded perspective view thereof, of the bottom, front and right side;

FIG. 9 is an exploded perspective view thereof, of the bottom, front and left side;

FIG. 10 is a front perspective view of a second embodiment thereof;

FIG. 11 is a bottom, front and left side perspective view thereof;

FIG. 12 is a bottom, front and right side perspective view thereof;

FIG. 13 is a top, front and left side perspective view thereof;

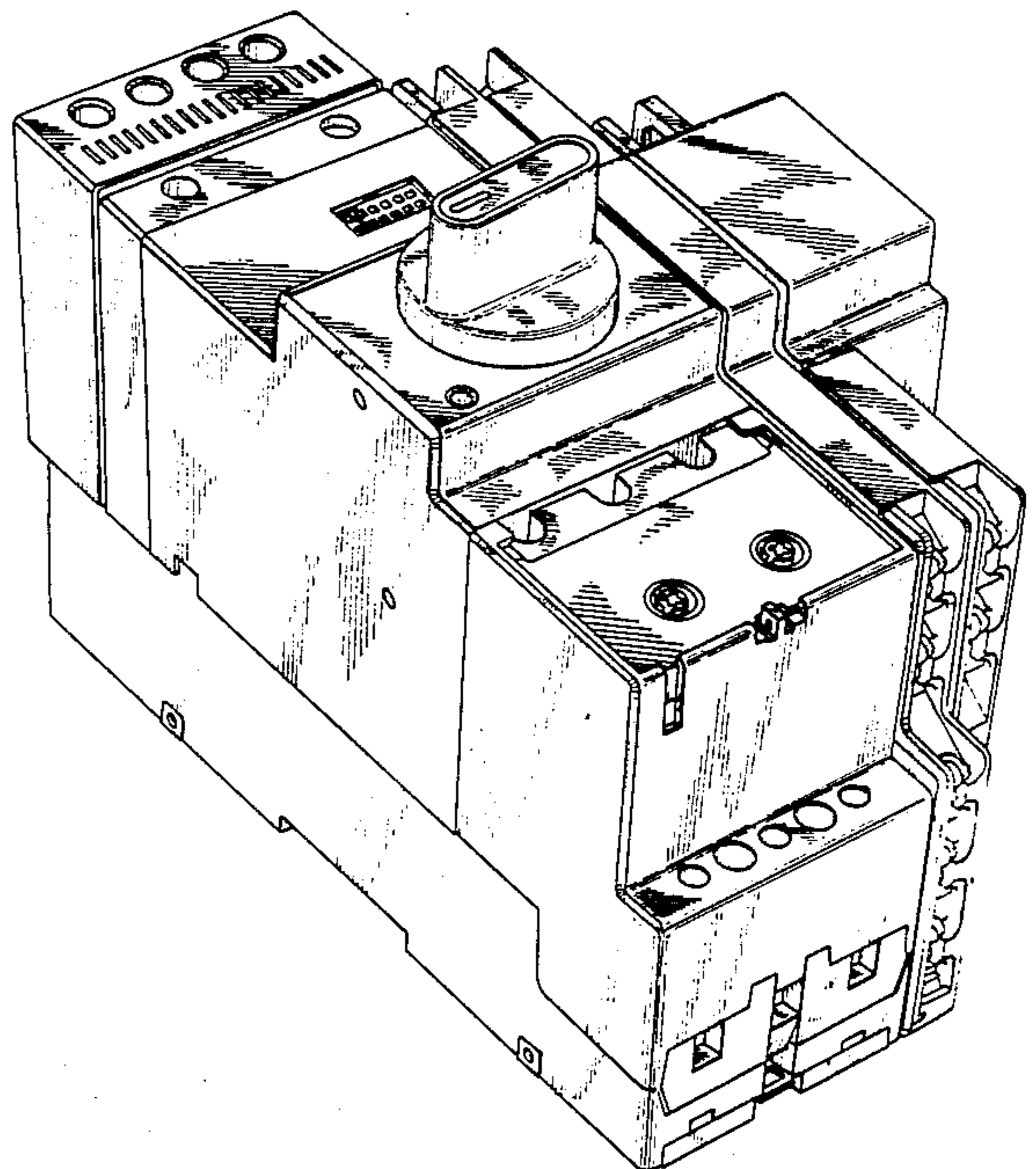
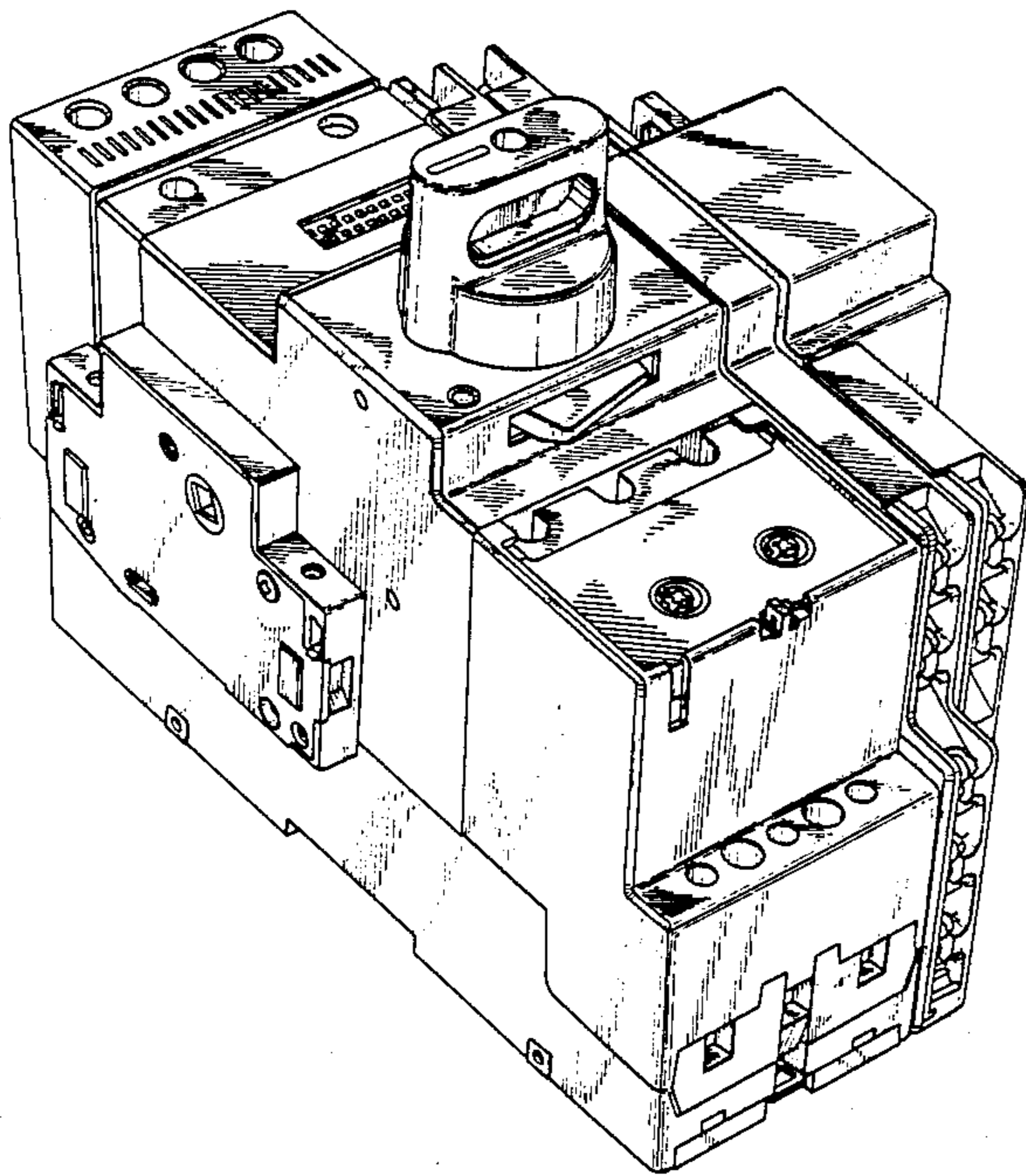
FIG. 14 is a top, front and right side perspective view thereof;

FIG. 15 is an exploded perspective view thereof, of the top, front and right side;

FIG. 16 is an exploded perspective view thereof, of the top, front and left side;

FIG. 17 is an exploded perspective view thereof, of the bottom, front and right side; and

FIG. 18 is an exploded perspective view thereof, of the bottom, front and right side.



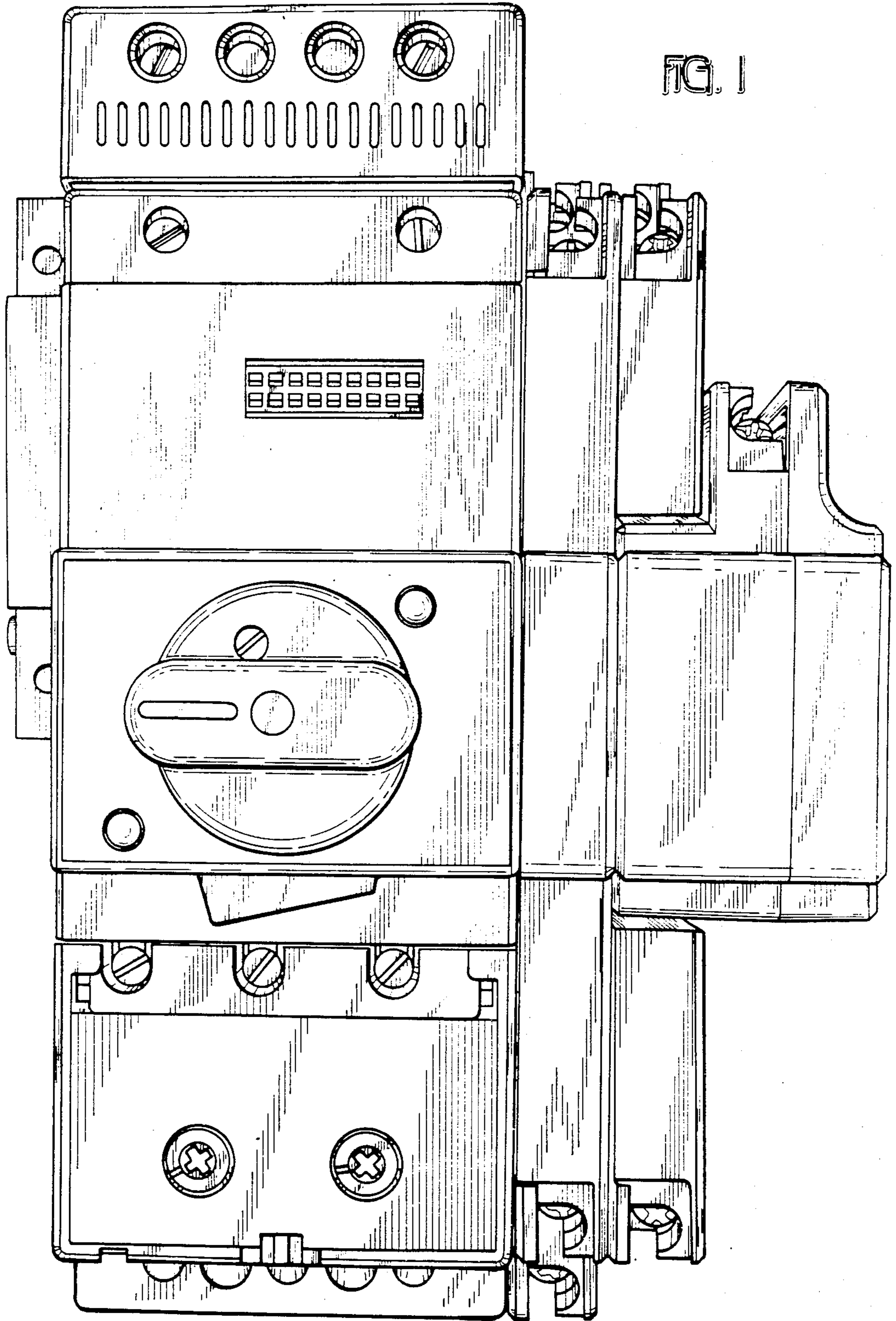


FIG. 1

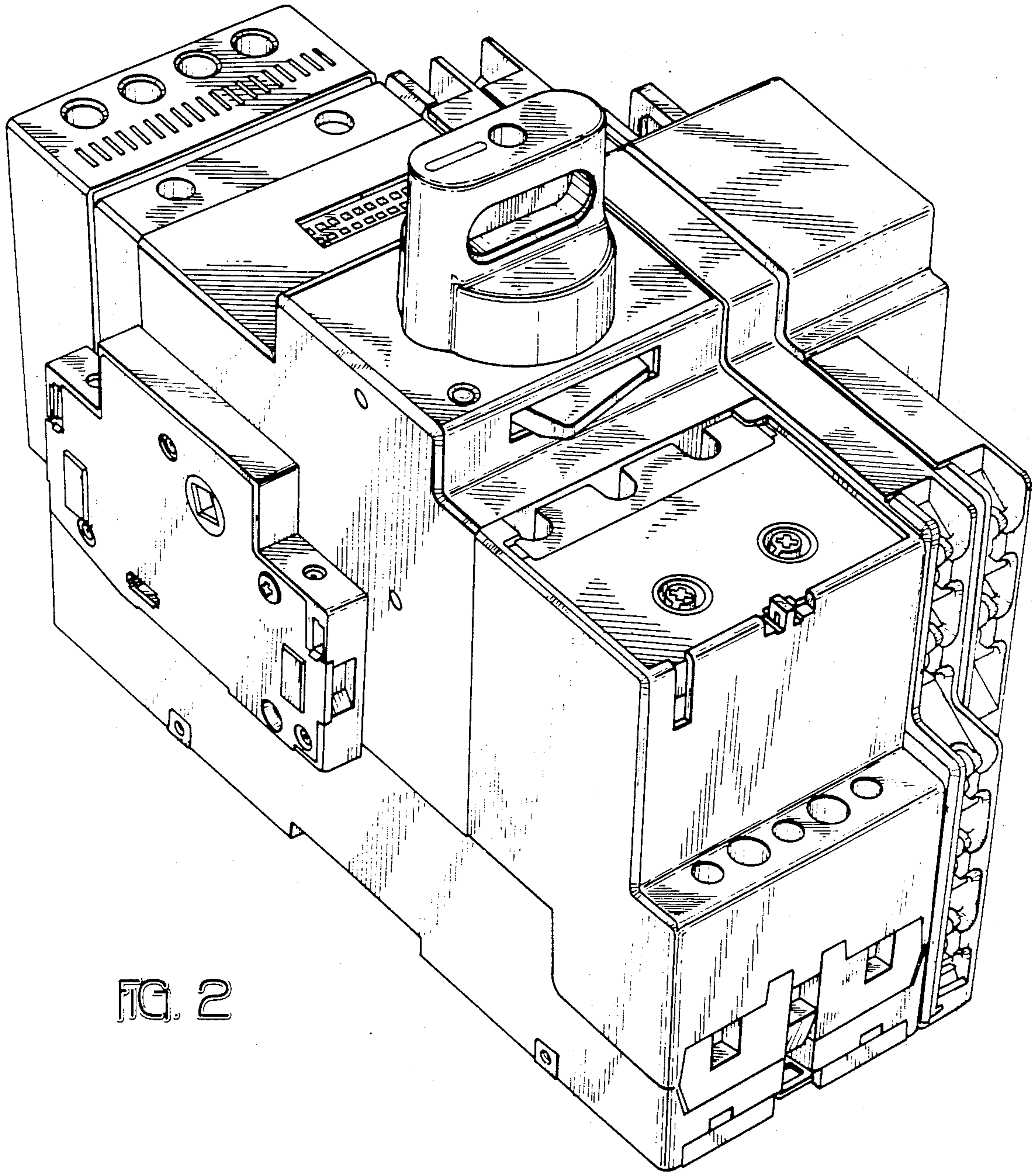


FIG. 2

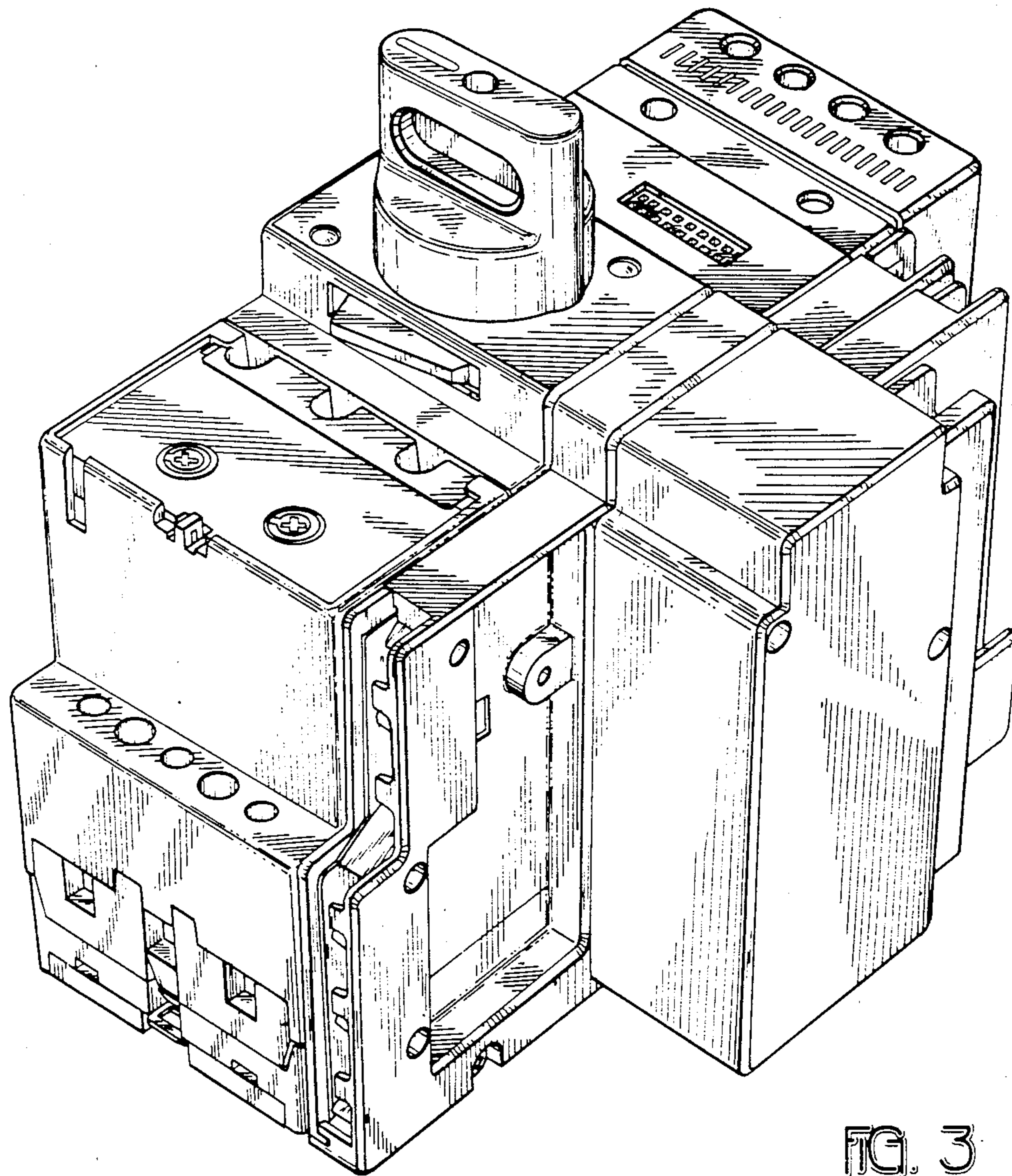
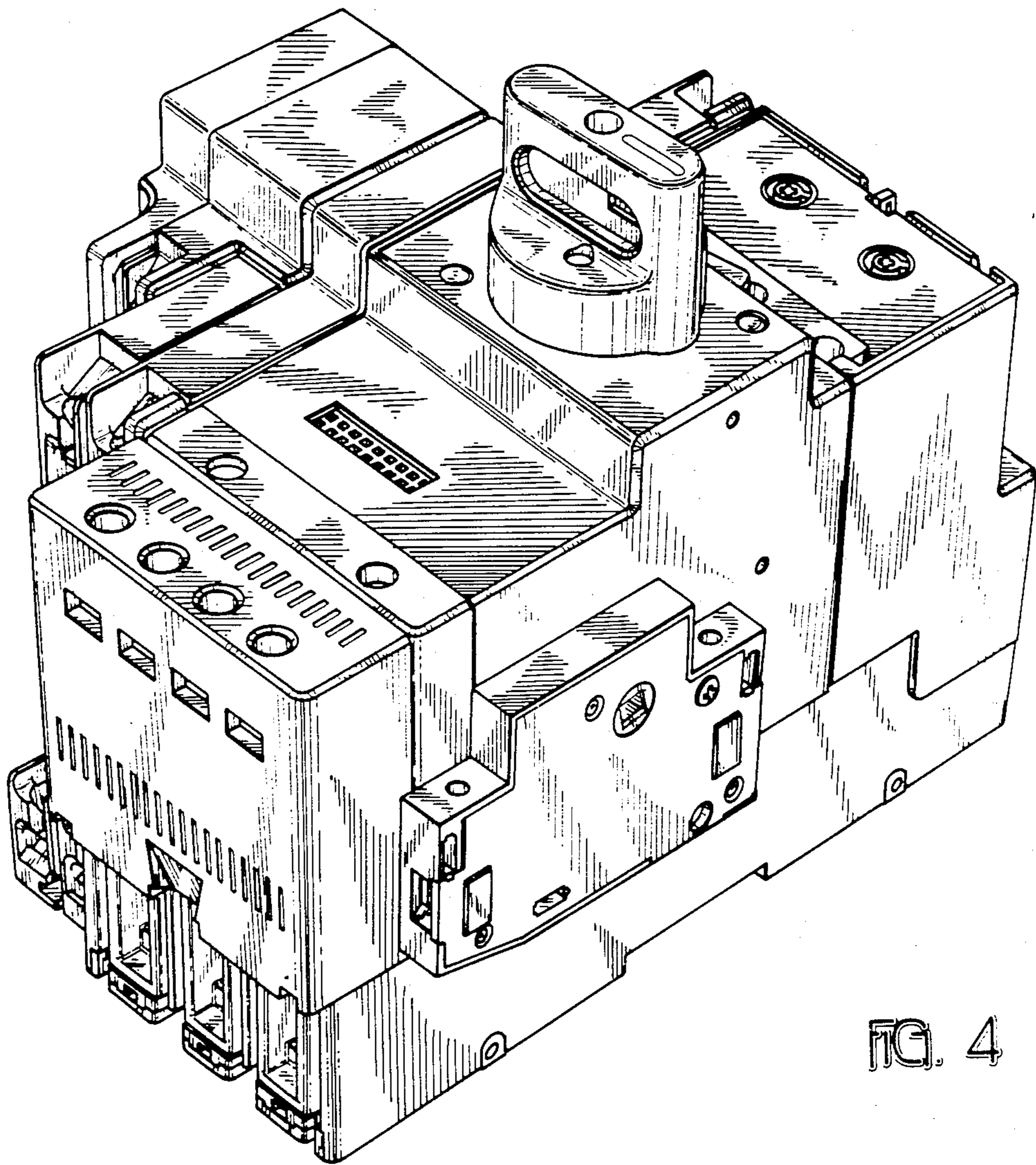
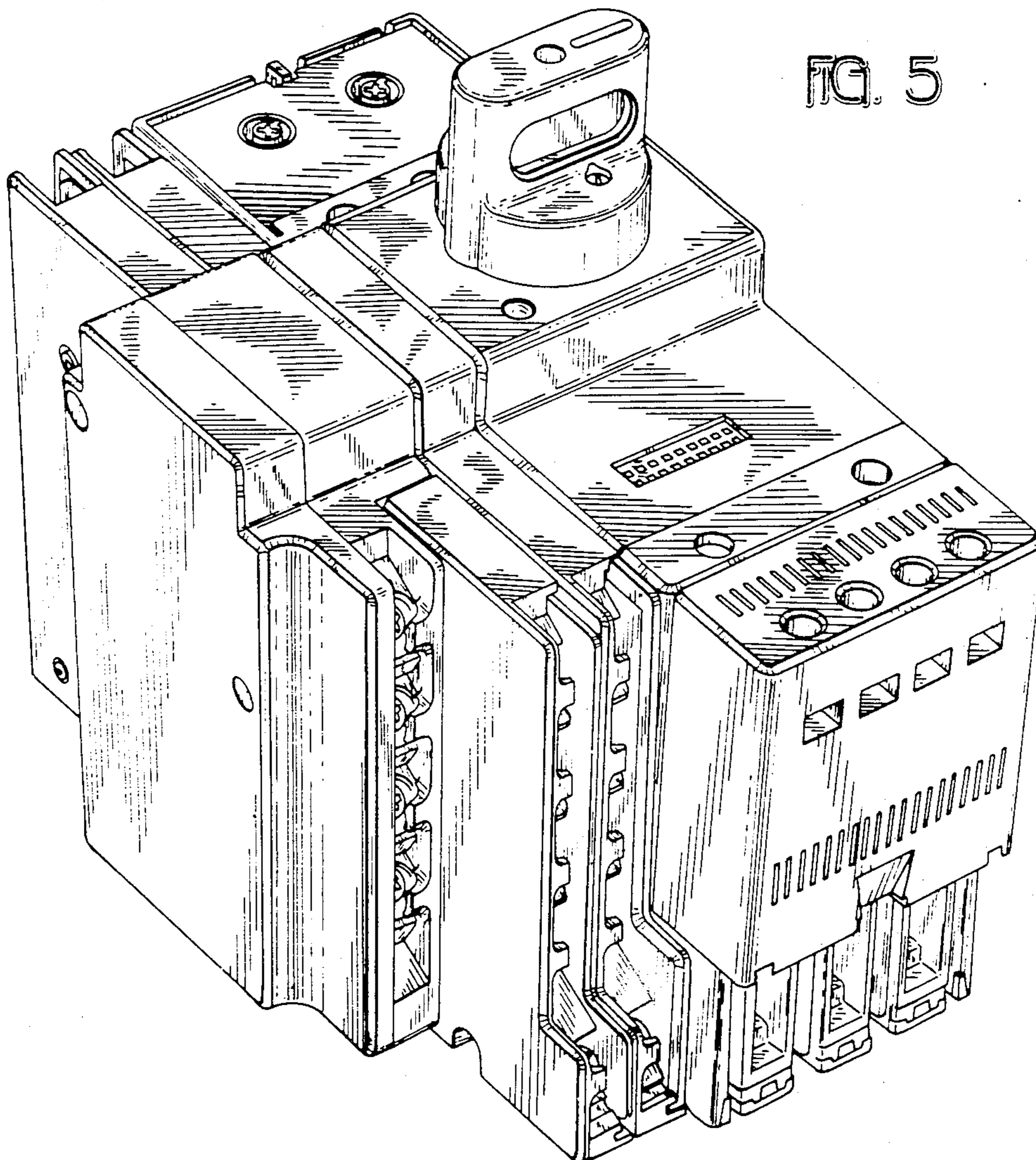
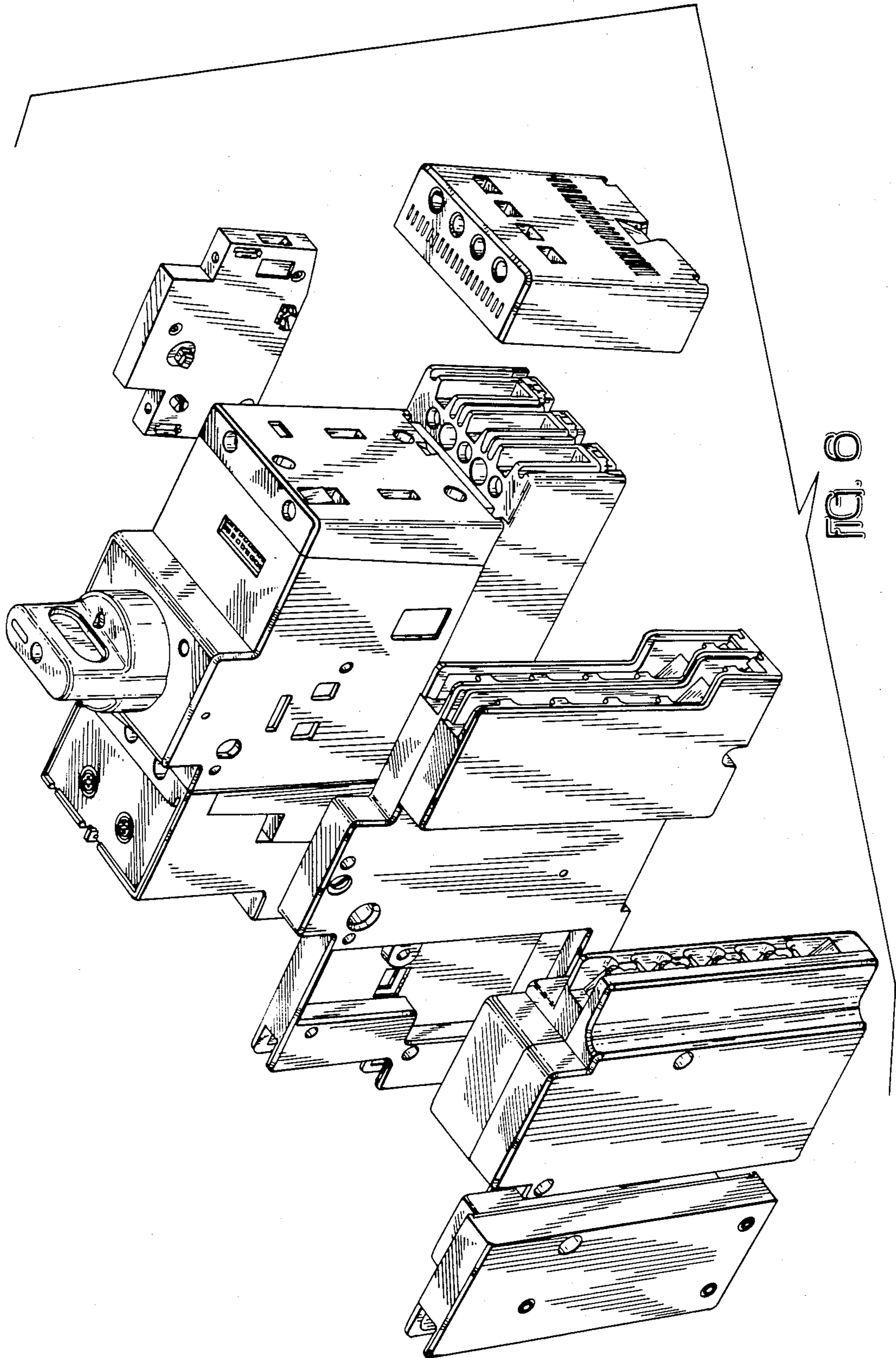
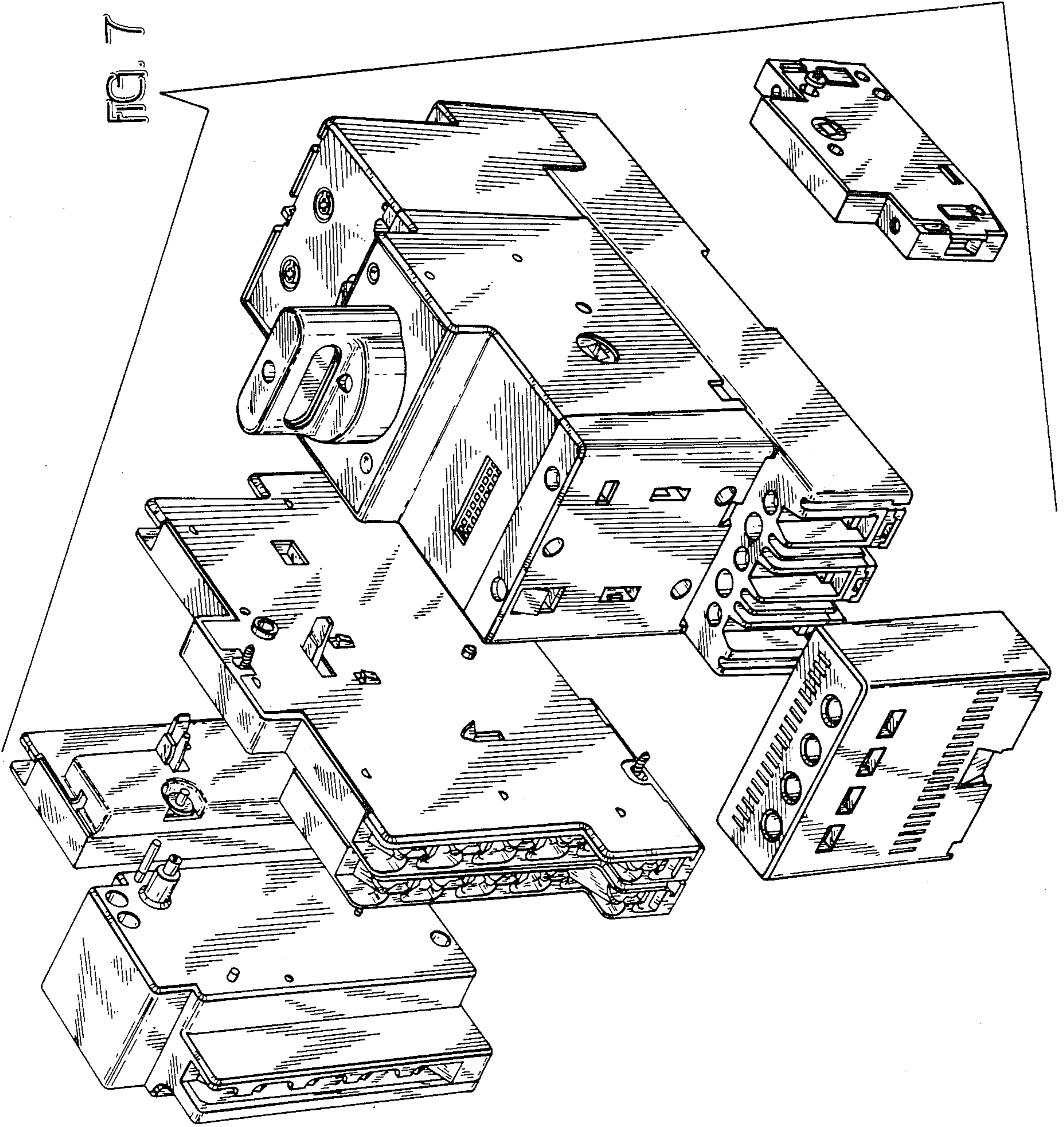


FIG. 3









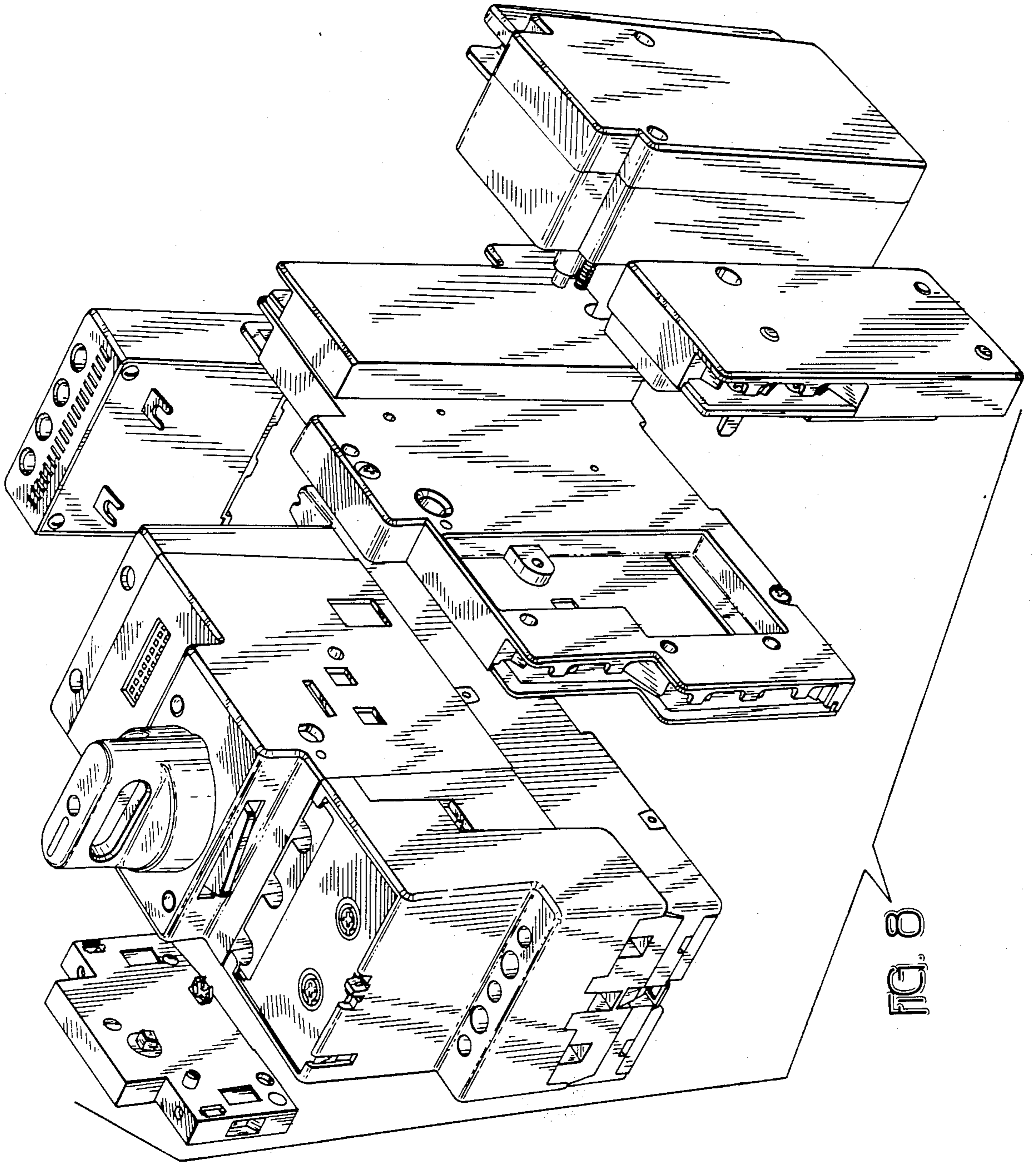
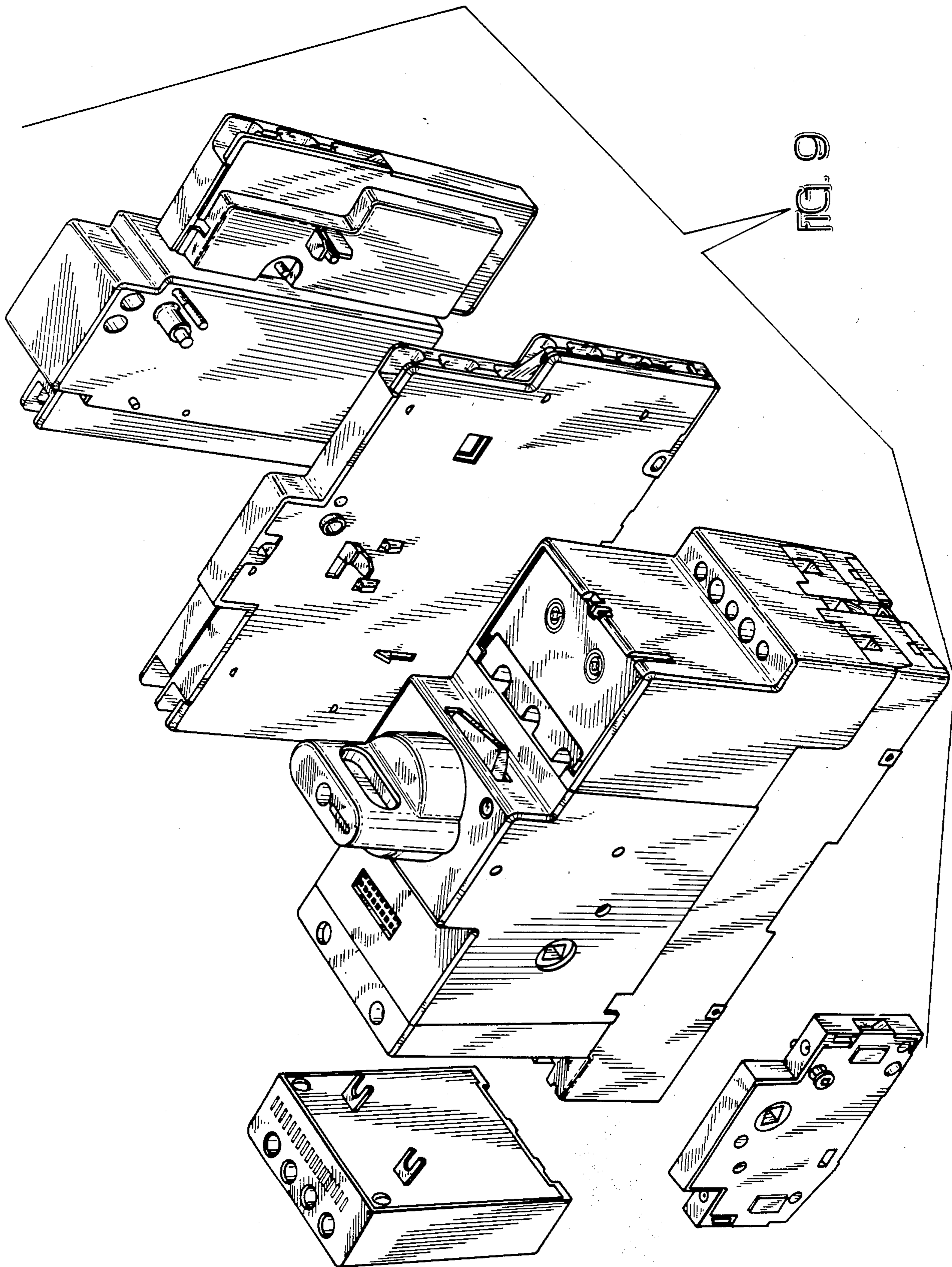


FIG. 8



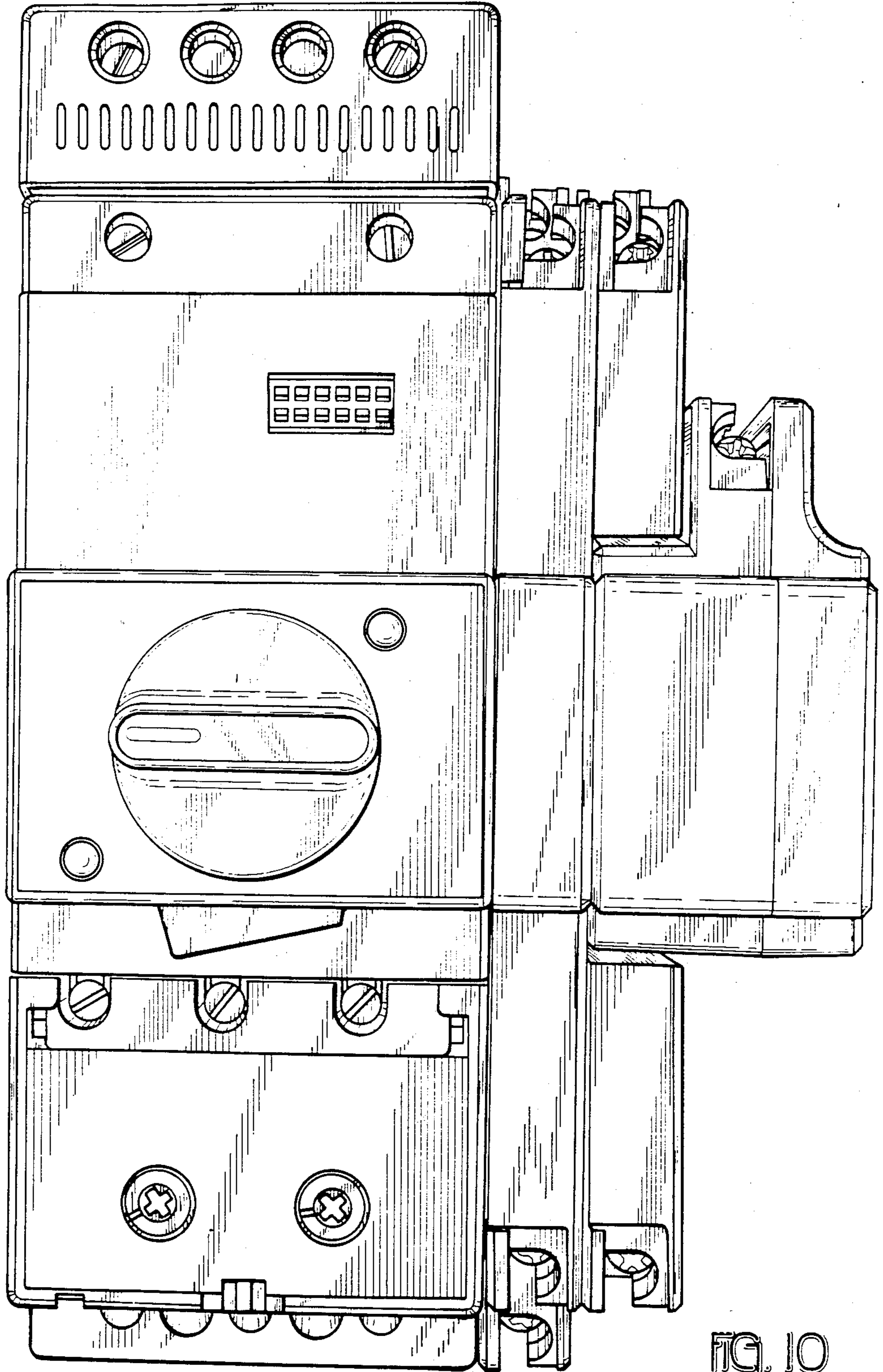


FIG. 10

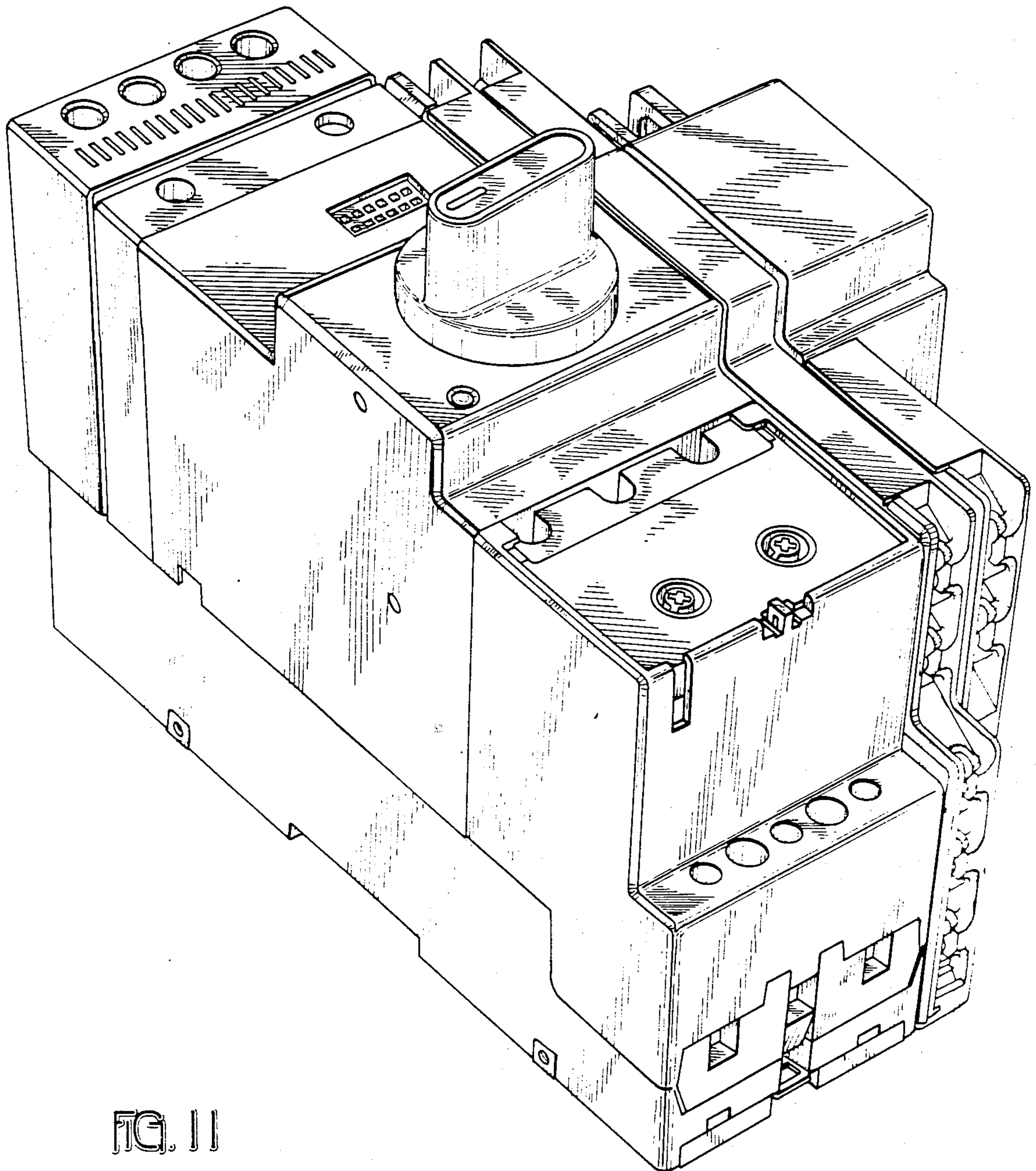


FIG. 11

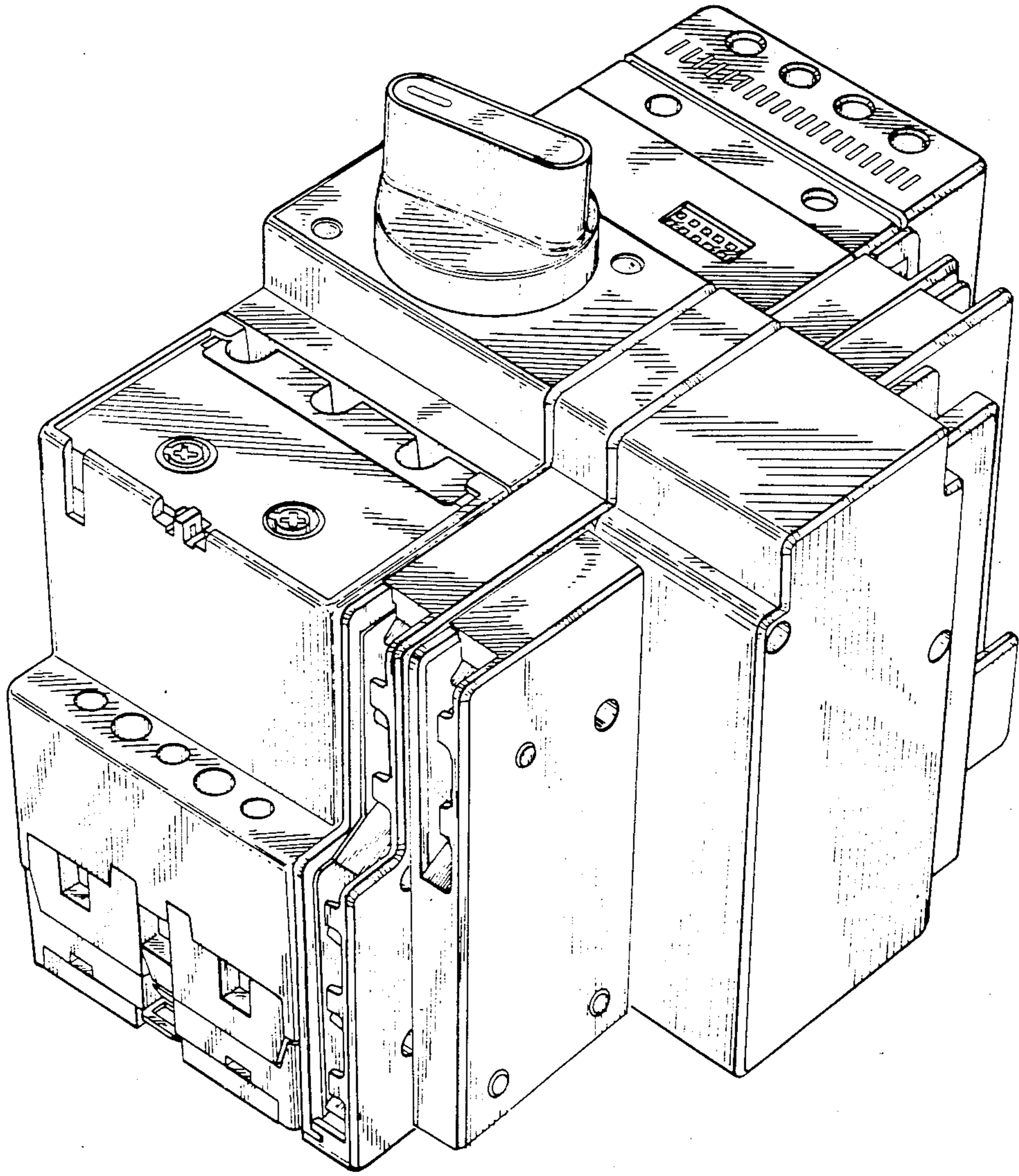


FIG. 12

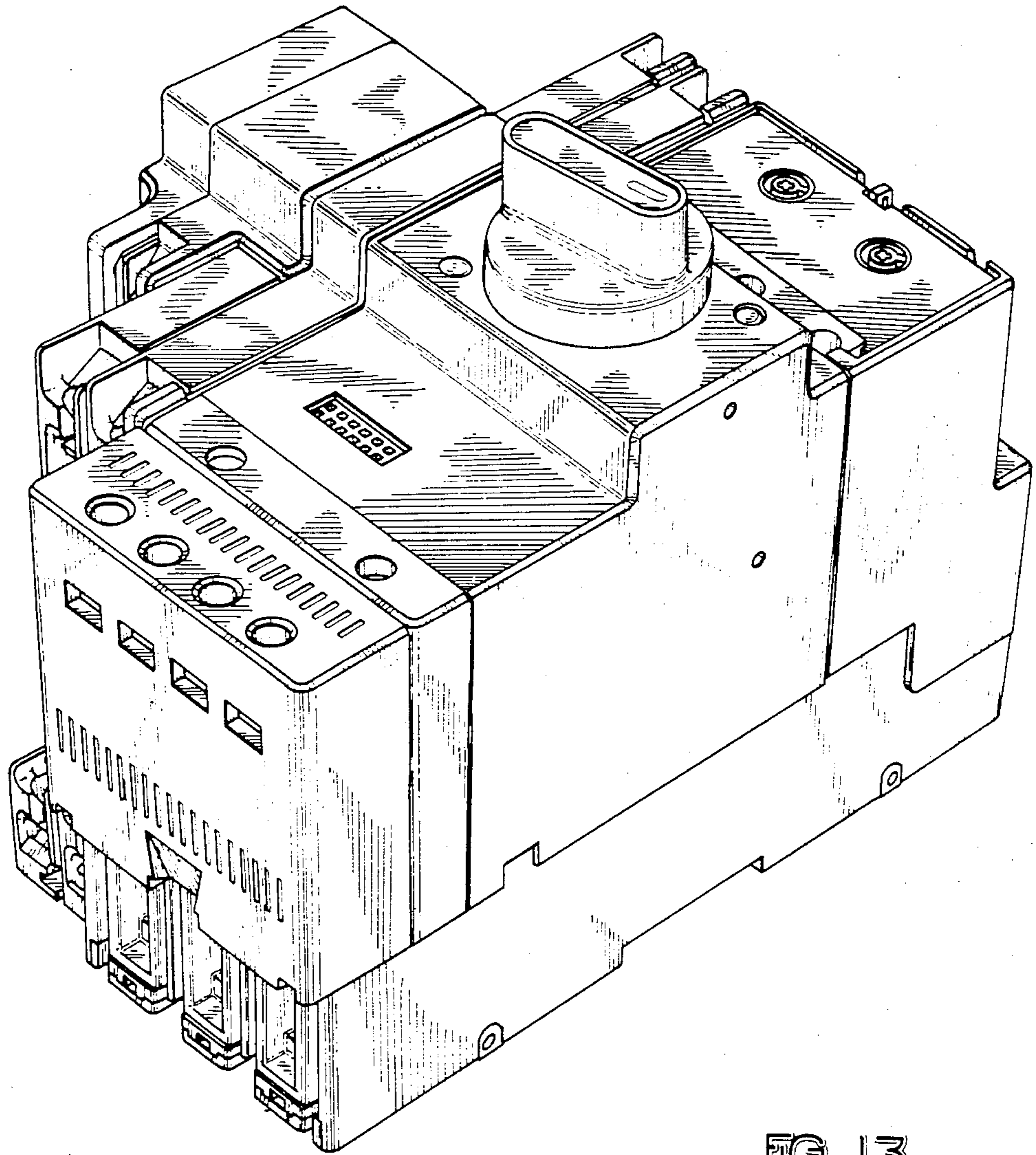


FIG. 13

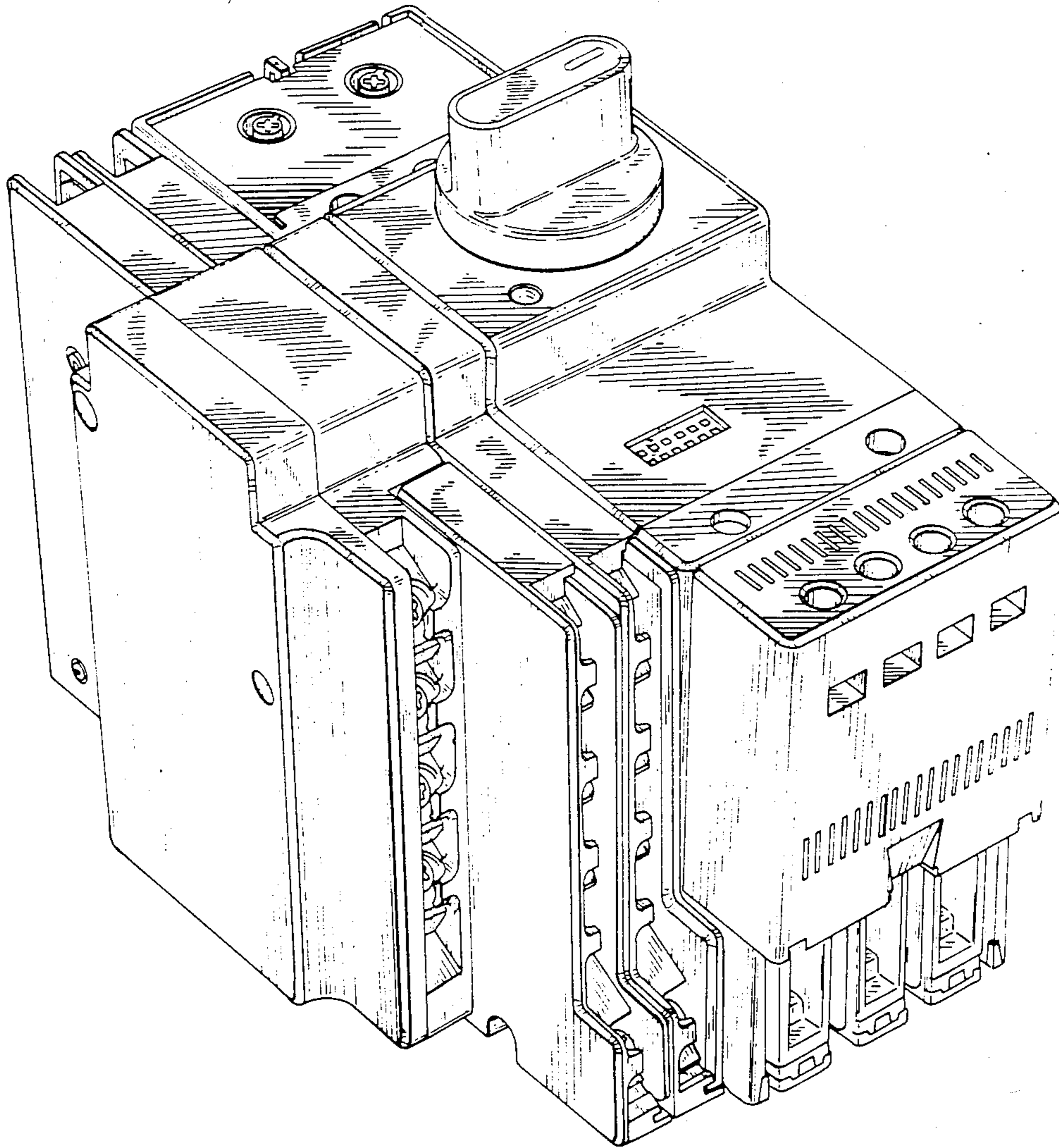


FIG. 14

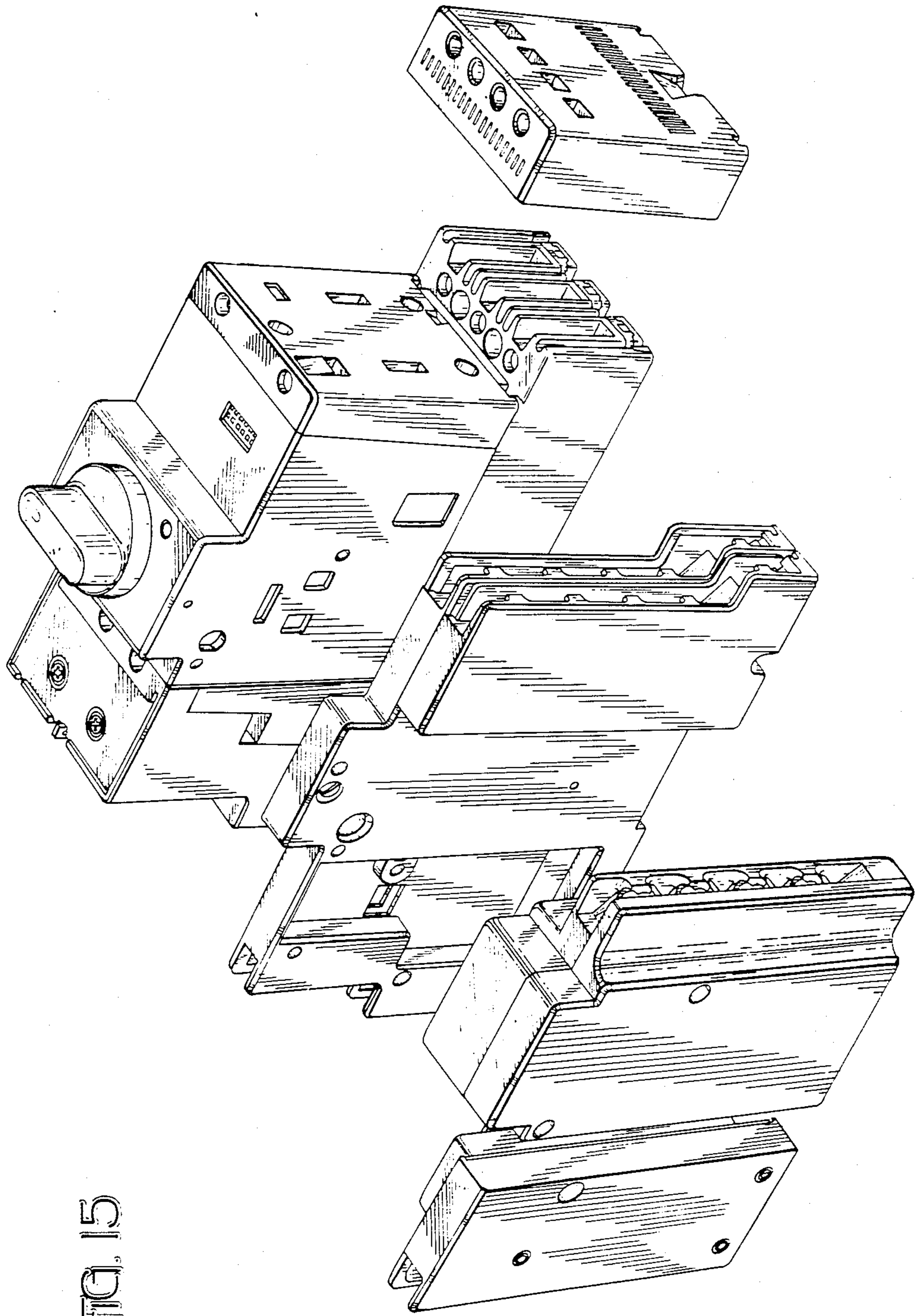


FIG. 15

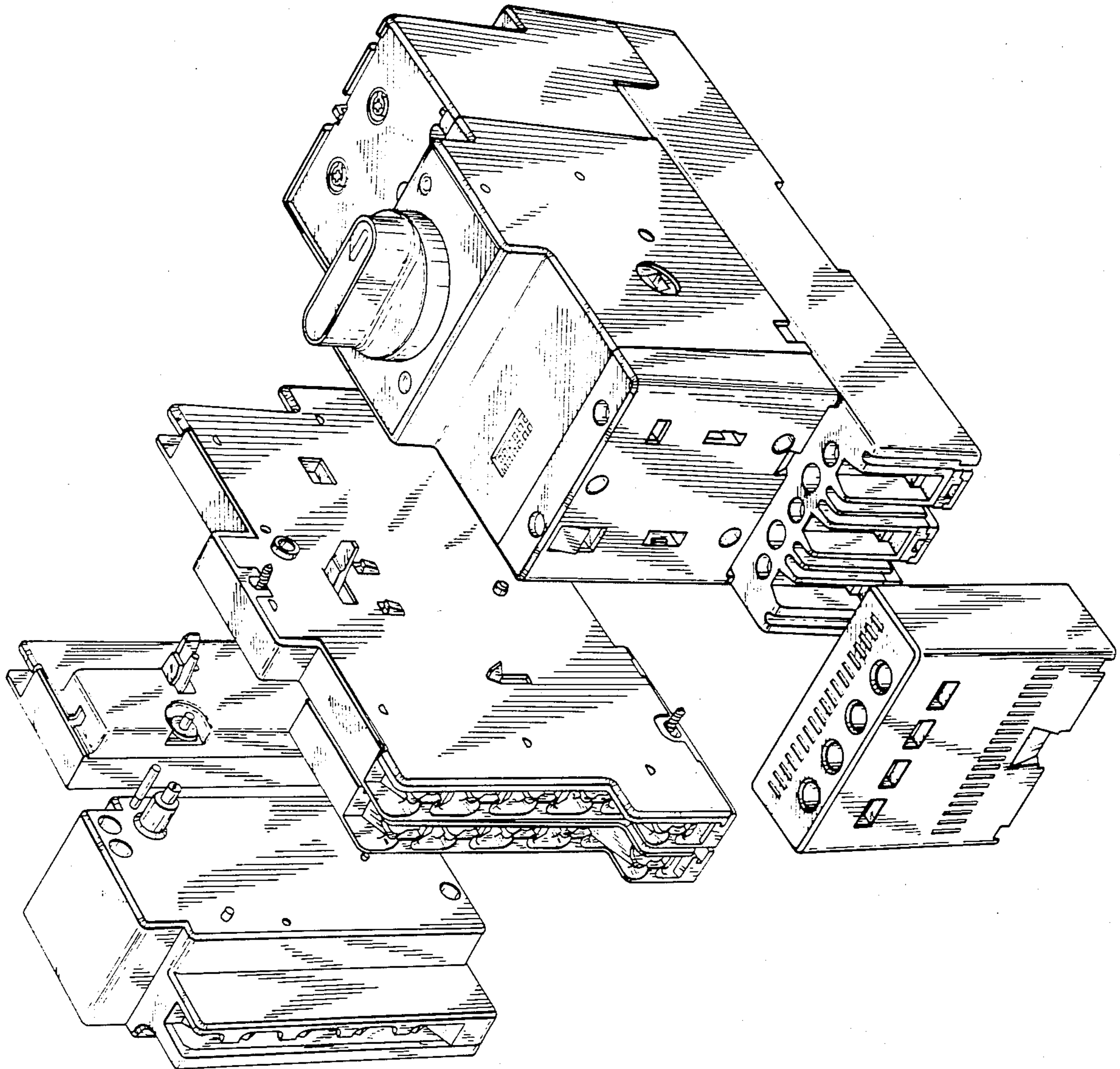


FIG. 16

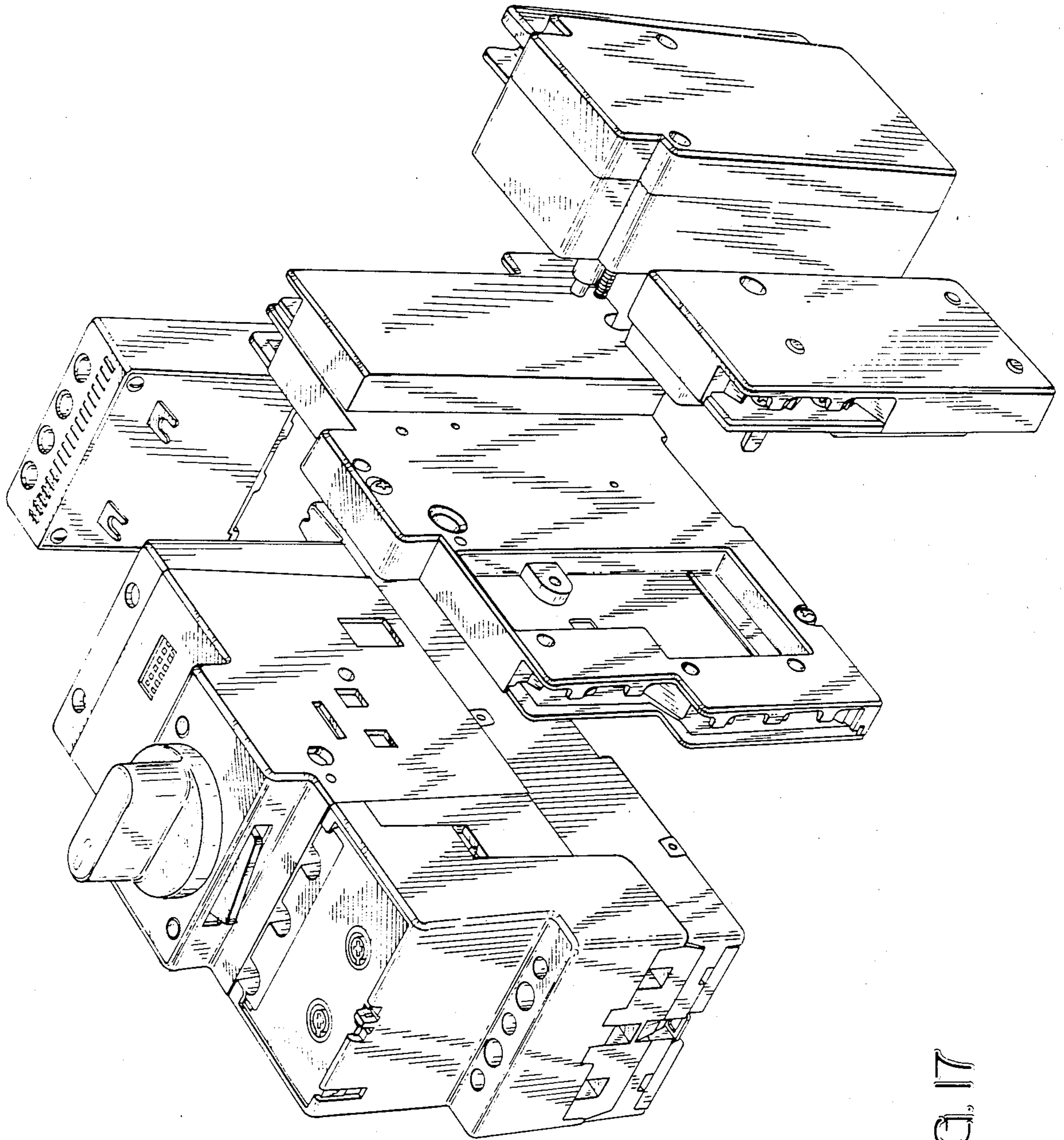


FIG. 17

FIG. 18

