

[54] COMBINED PLUG AND CONDUCTOR DETECTOR

[75] Inventors: Sergius P. Krzyzanowski, Flushing; Richard Doyle, Greenlawn, both of N.Y.

[73] Assignee: Leviton Manufacturing Company, Inc., Little Neck, N.Y.

[**] Term: 14 Years

[21] Appl. No.: 773,243

[22] Filed: Sep. 9, 1985

[52] U.S. Cl. D13/28

[58] Field of Search D13/24, 28, 29; 361/42; 439/103, 353, 358, 470, 476

[56] References Cited

U.S. PATENT DOCUMENTS

- D. 246,241 11/1977 Jacobs D13/28
- D. 292,281 10/1987 Poliak et al. D13/28
- 4,687,906 8/1987 Fujishima et al. 361/42

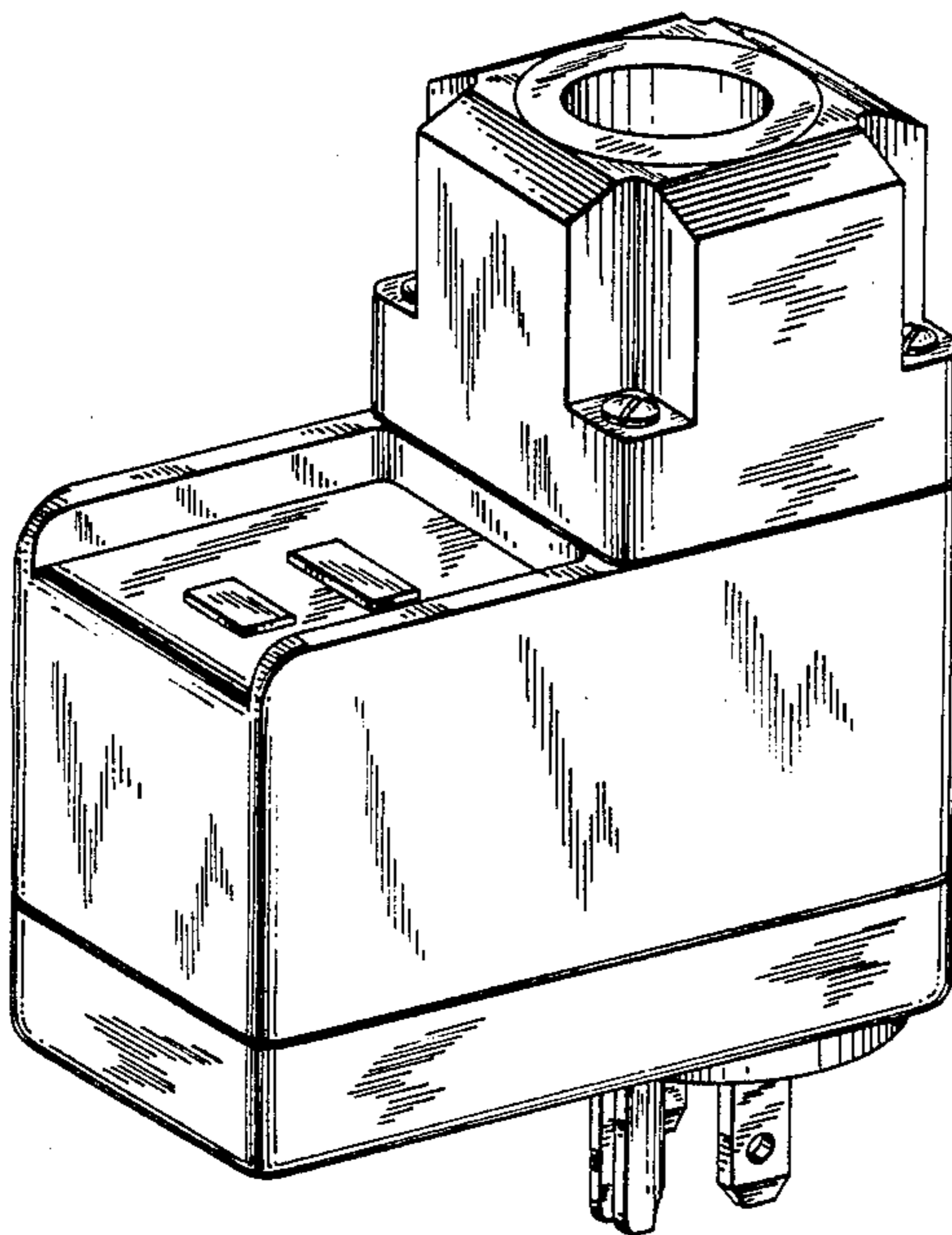
Primary Examiner—James M. Gandy
Attorney, Agent, or Firm—Paul J. Sutton

[57] CLAIM

The ornamental design for a combined plug and conductor detector, as shown.

DESCRIPTION

FIG. 1 is a left front perspective view of a combined plug and conductor detector showing our new design; FIG. 2 is a top plan view thereof; FIG. 3 is a left side elevational view thereof; FIG. 4 is a right side elevational view thereof; FIG. 5 is a rear elevational view thereof; and FIG. 6 is a bottom plan view thereof.



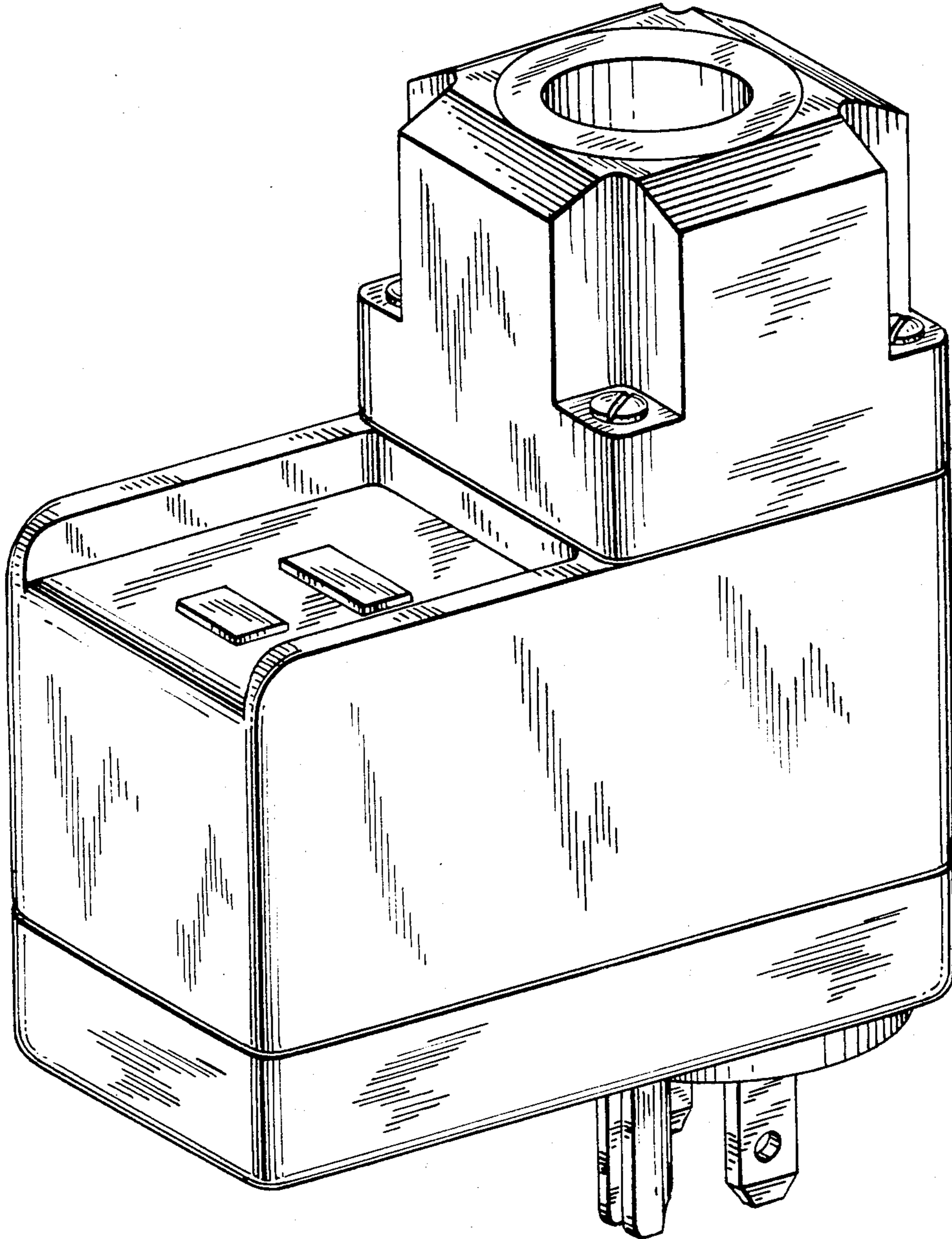


FIG. 1

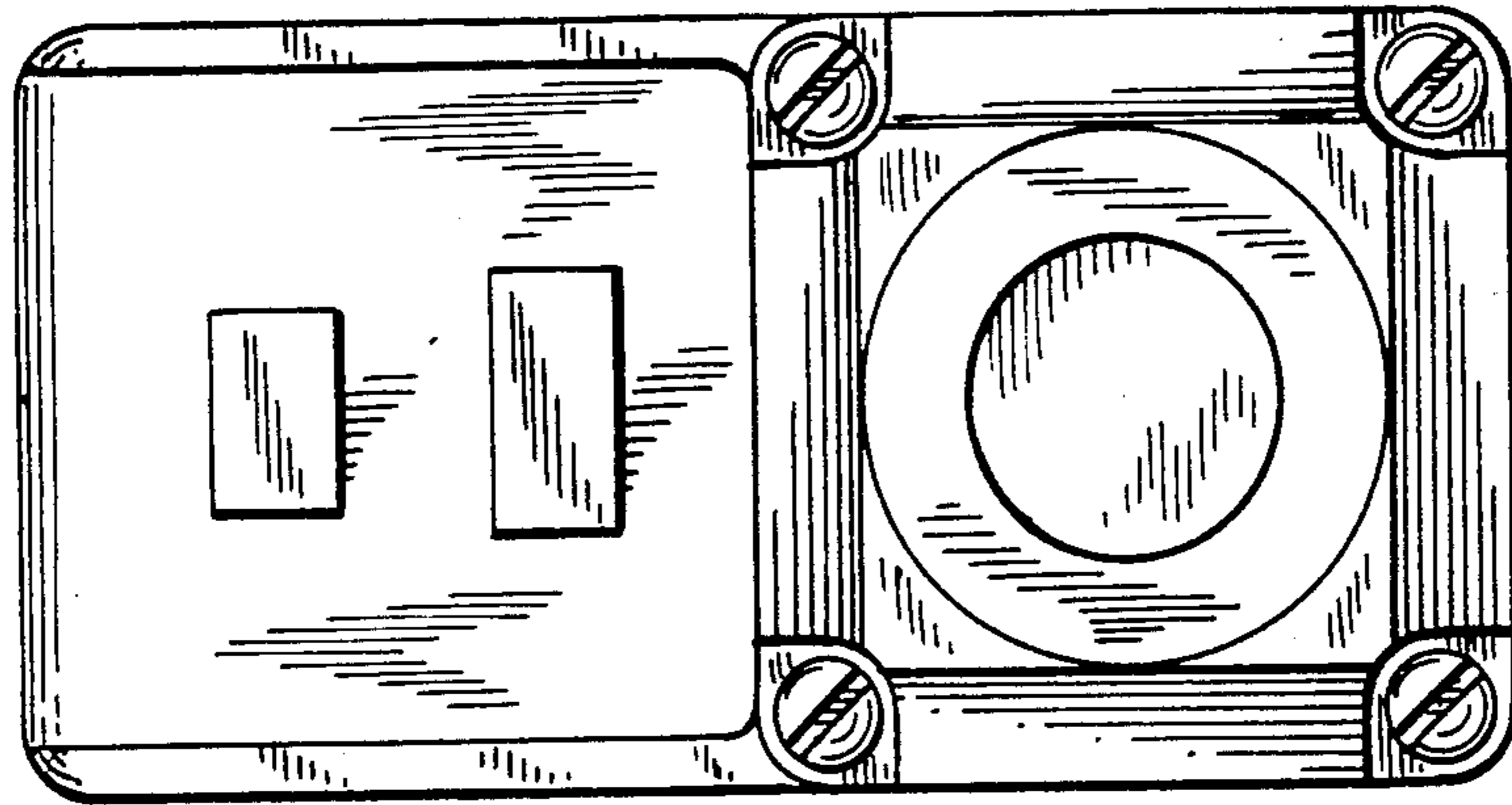


FIG. 2

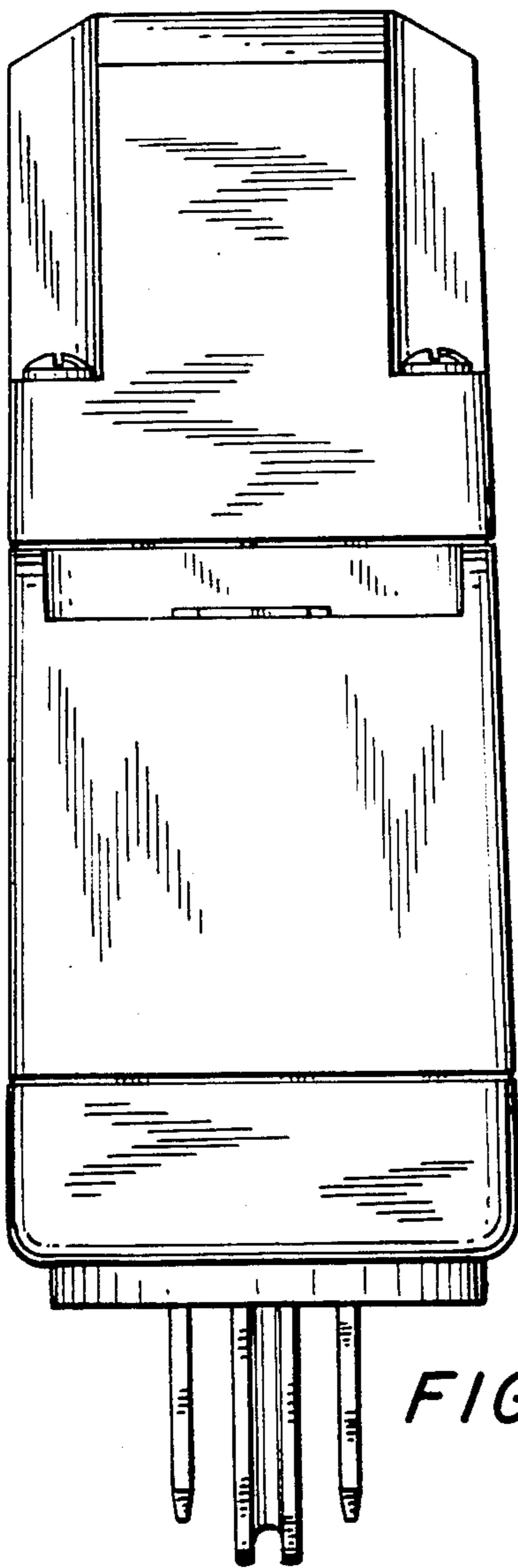


FIG. 3

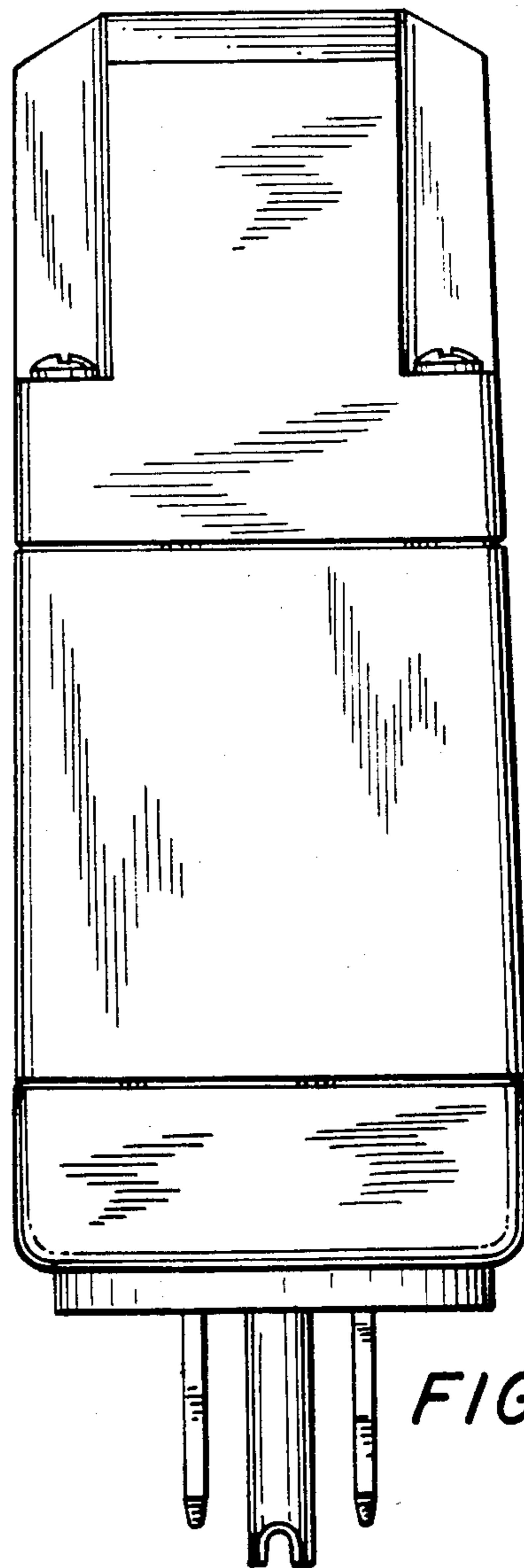


FIG. 4

