

[54] PORTABLE PNEUMATIC TOOL

[76] Inventor: Osamu Izumisawa, No. 24-10,  
2-chome Asahicho, Nerimaku,  
Tokyo, Japan

[\*\*] Term: 14 Years

[21] Appl. No.: 704,015

[22] Filed: Feb. 21, 1985

[30] Foreign Application Priority Data

Aug. 23, 1984 [JP] Japan ..... 59-35272

[52] U.S. Cl. .... D8/68

[58] Field of Search ..... D8/61, 68, 59, 60;  
173/93, 93.5, 93.6; 418/76, 270; 81/54, 57,  
57.11, 57.44, 57.13, 467, 469, 469, 470, 431,  
57.29, 57.39, 58.1

[56] References Cited

U.S. PATENT DOCUMENTS

D. 222,029 9/1971 McElroy ..... D8/68  
D. 233,130 10/1974 Slany ..... D8/68  
D. 233,131 10/1974 Slany ..... D8/68  
D. 259,392 6/1981 Elmessaar et al. .... D8/68  
D. 261,222 10/1981 Bunyea ..... D8/68

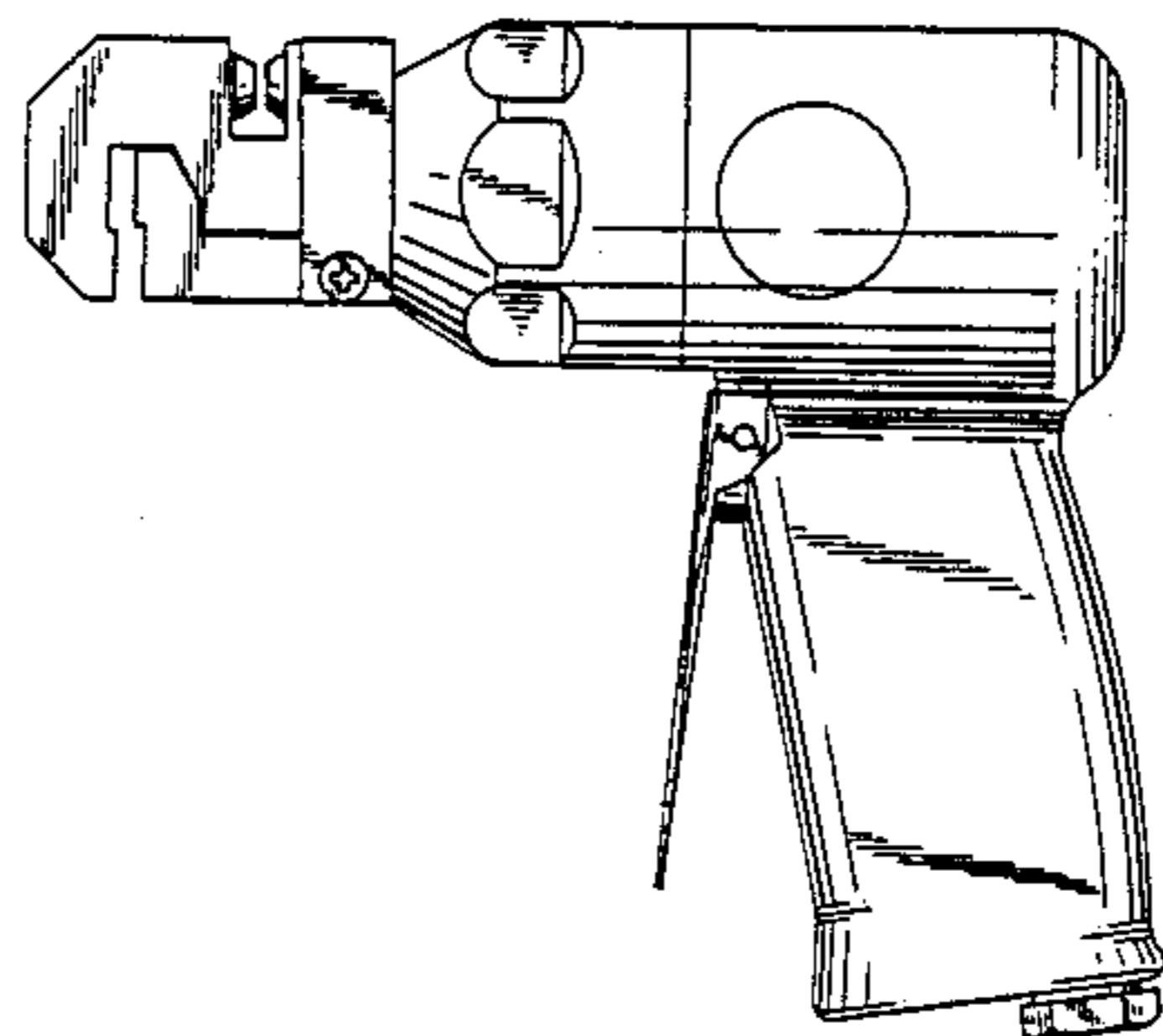
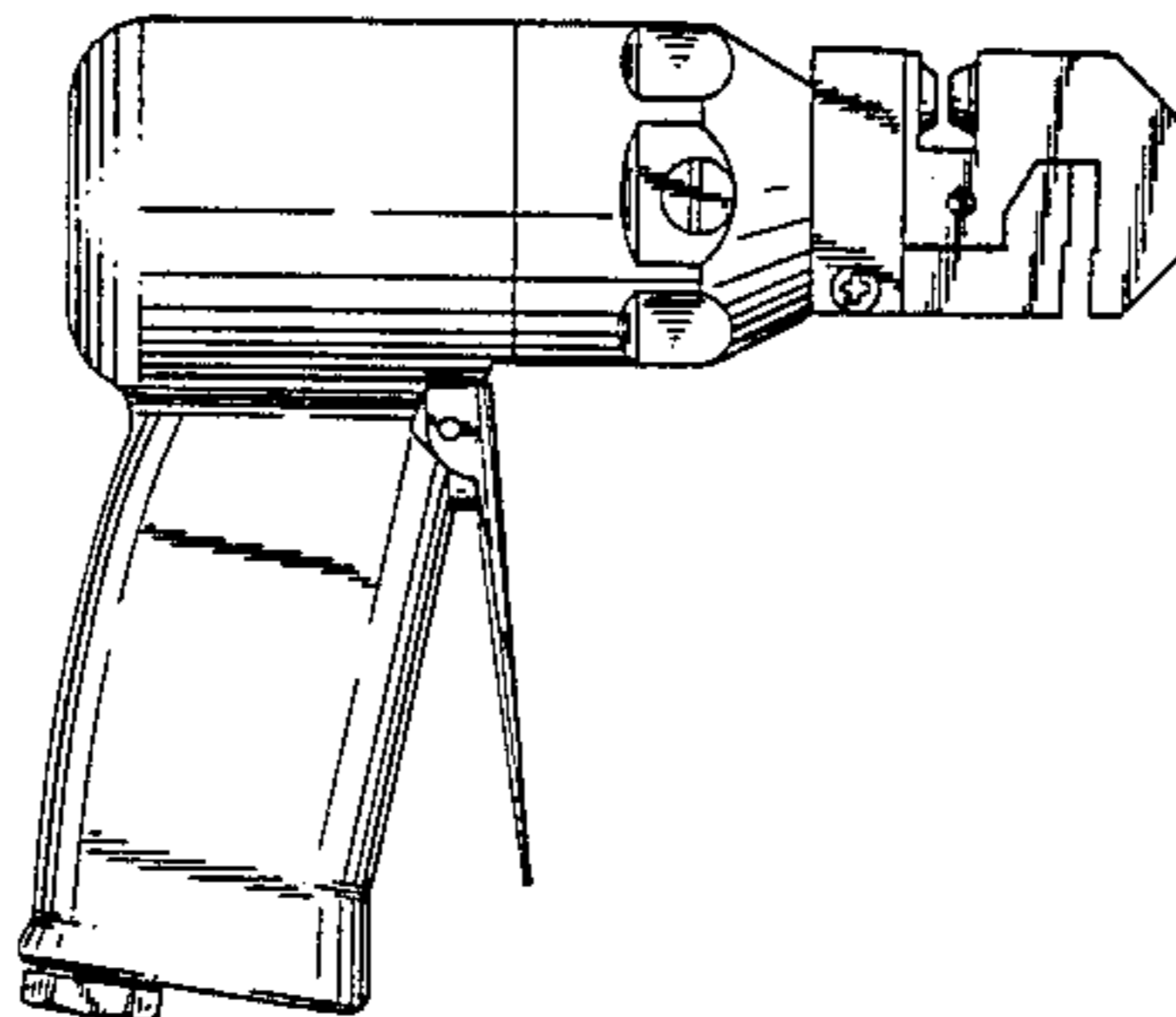
Primary Examiner—Susan J. Lucas  
Attorney, Agent, or Firm—Wenderoth, Lind & Ponack

[57] CLAIM

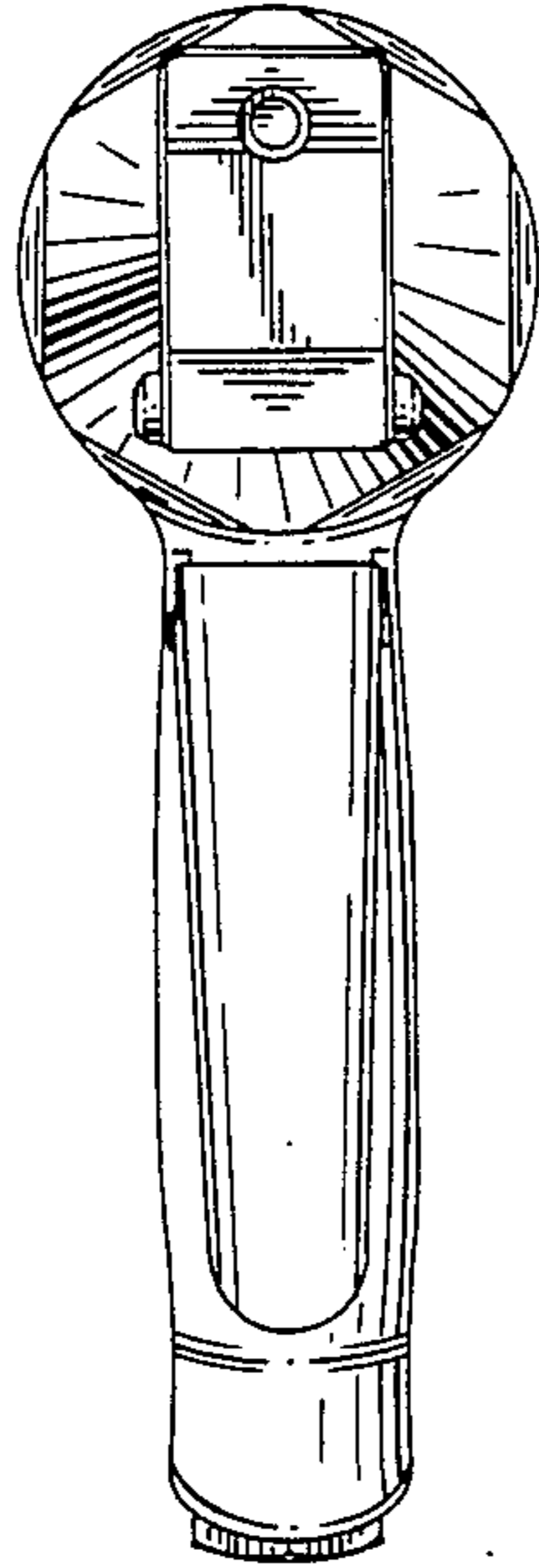
The ornamental design for a portable pneumatic tool, substantially as shown and described.

DESCRIPTION

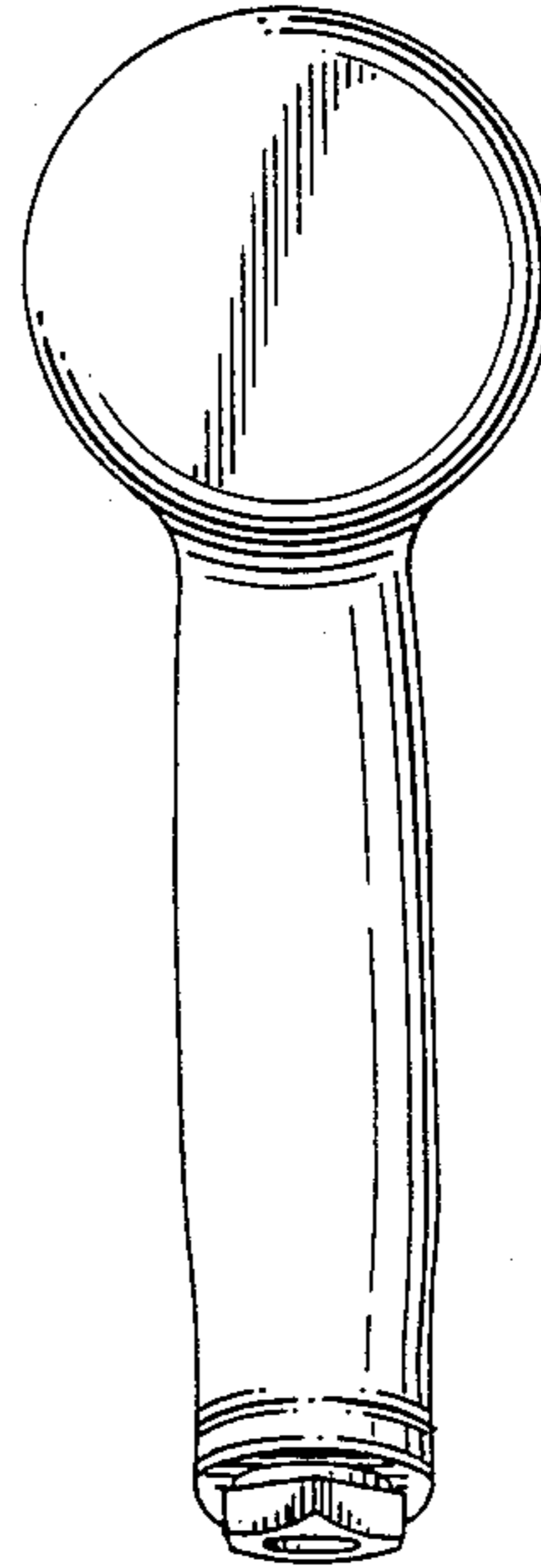
FIG. 1 is a front elevational view of a portable pneumatic tool, showing my new design;  
FIG. 2 is a rear elevation view thereof;  
FIG. 3 is a top plan view thereof;  
FIG. 4 is a bottom plan view thereof;  
FIG. 5 is a left side elevation view thereof; and  
FIG. 6 is a right side elevation view thereof.



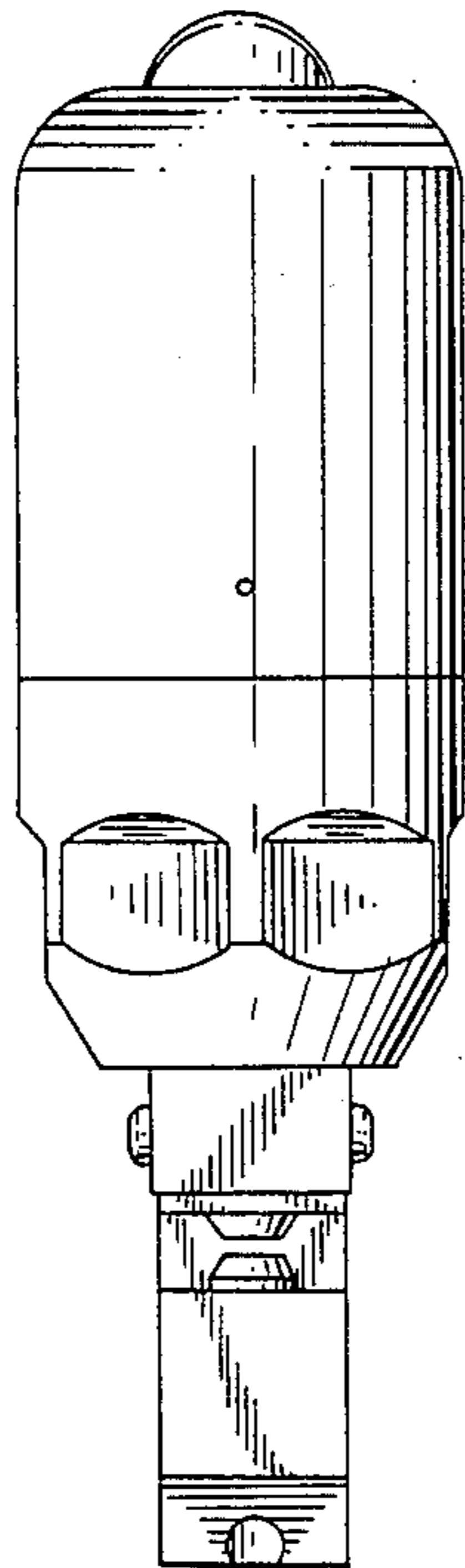
**FIG. 1**



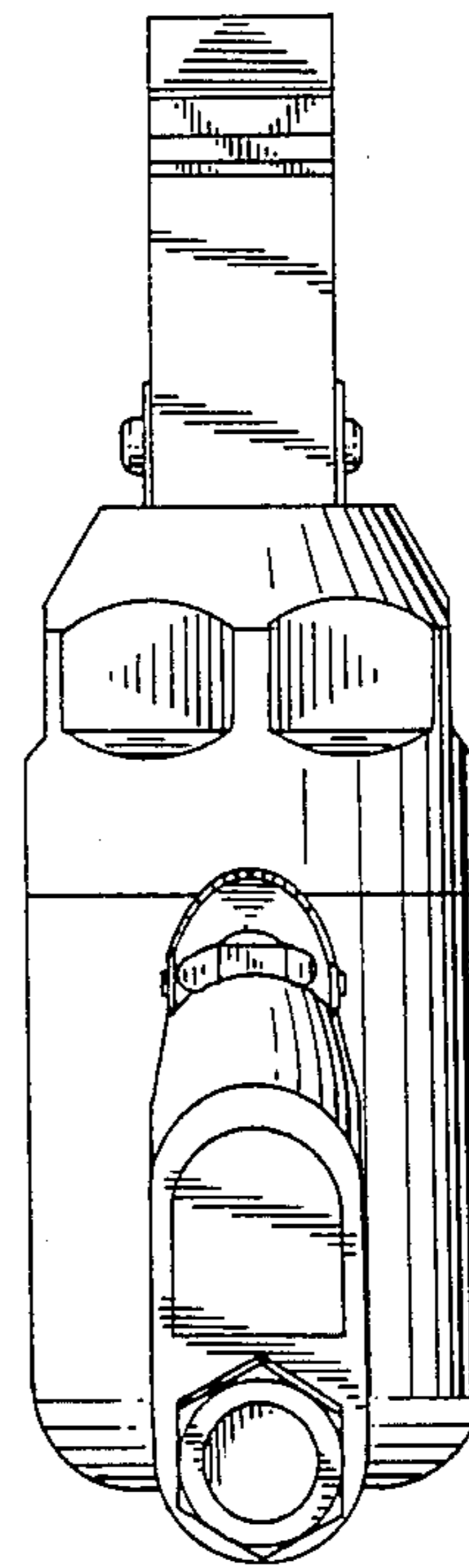
**FIG. 2**



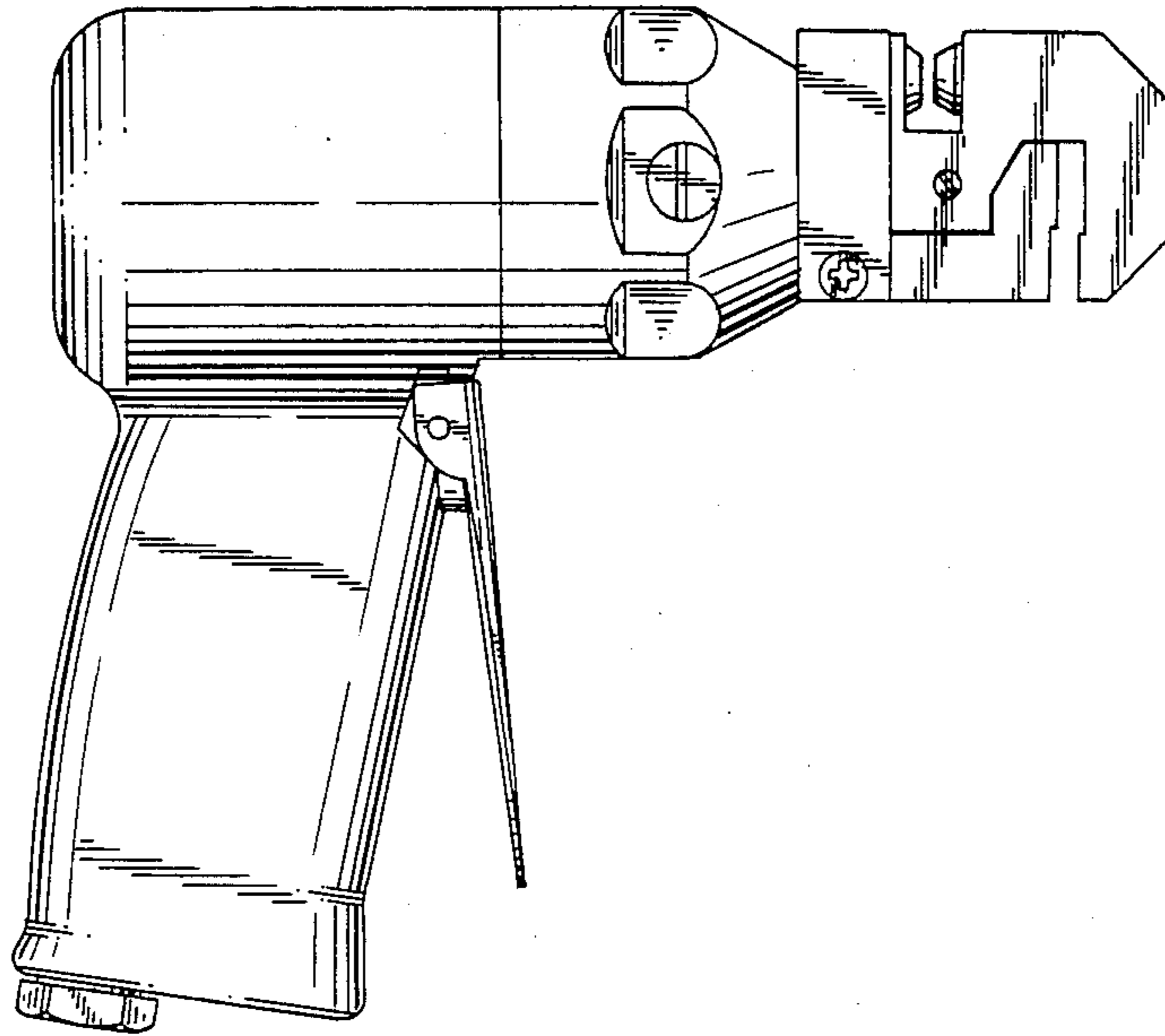
**FIG. 3**



**FIG. 4**



**FIG. 5**



**FIG. 6**

