

[54] CLASS RING

[75] Inventor: Dale L. Deain, Austin, Tex.

[73] Assignee: Lenox, Incorporated, Lawrenceville, N.J.

[**] Term: 14 Years

[21] Appl. No.: 60,779

[22] Filed: Jun. 12, 1987

[52] U.S. Cl. D11/34

[58] Field of Search D11/2, 26-39; 63/1.1, 2, 15-15.8

[56] References Cited

U.S. PATENT DOCUMENTS

D. 79,463	9/1929	Gross	D11/35
D. 83,602	3/1931	Granat	D11/36
D. 177,546	4/1956	Weiss	D11/36 X
1,898,263	2/1933	Patt	D11/26 X
4,753,087	6/1988	D'Annunzio	63/15.45

Primary Examiner—Louis S. Zarfes

Attorney, Agent, or Firm—Lerner, David, Littenberg, Krumholz & Mentlik

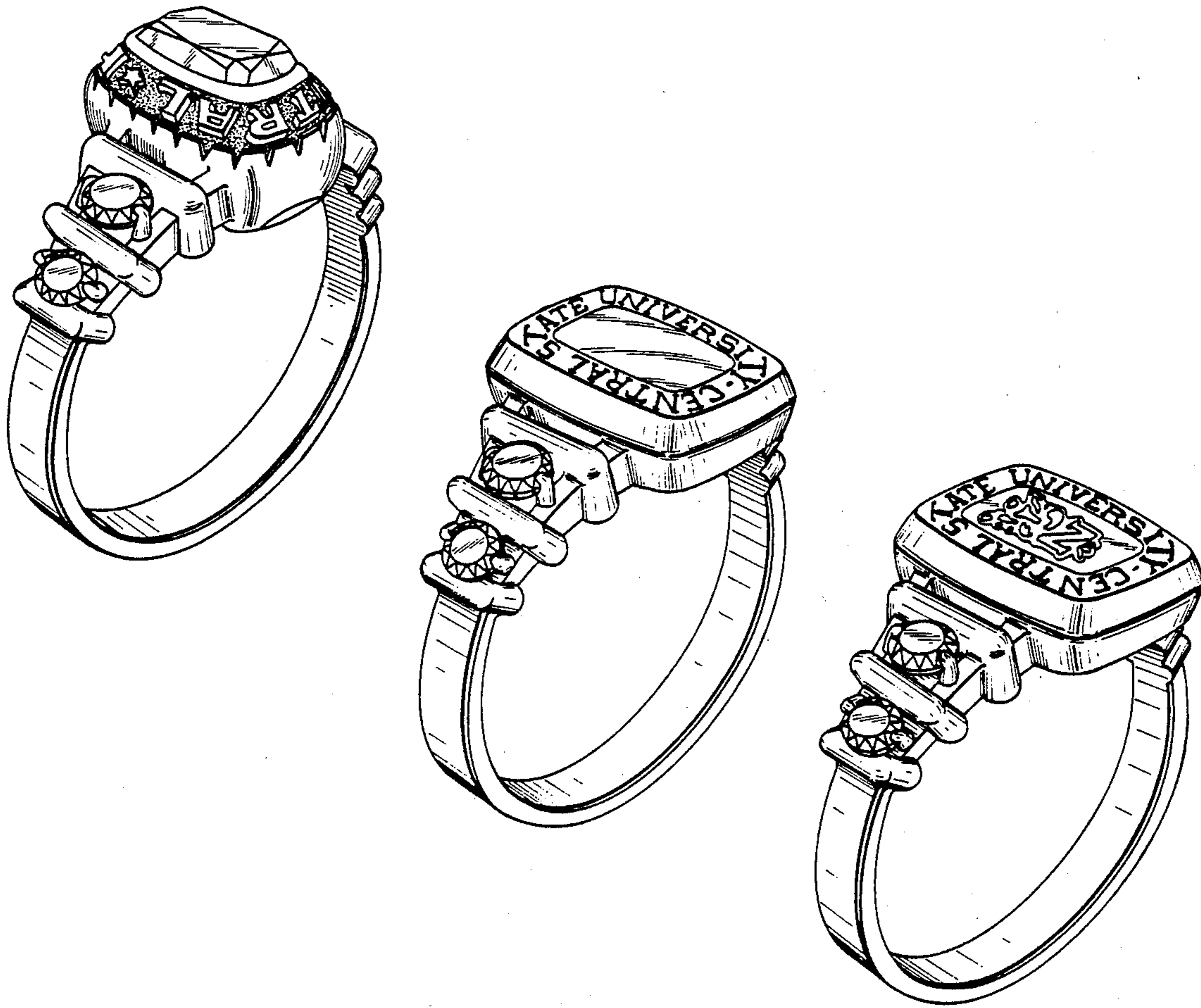
[57] CLAIM

The ornamental design for a class ring, as shown and described.

DESCRIPTION

FIG. 1 is a perspective view of a class ring showing my new design;

FIG. 2 is a top plan view of the class ring of FIG. 1; FIG. 3 is a bottom plan view of the class ring of FIG. 1; FIG. 4 is a right side elevational view of the class ring of FIG. 1; FIG. 5 is a left side elevational view of the class ring of FIG. 1; FIG. 6 is a front elevational view of the class ring of FIG. 1; FIG. 7 is a back elevational view of the class ring of FIG. 1; FIG. 8 is a perspective view of a class ring showing a second embodiment of my new design; FIG. 9 is a top plan view of the class ring of FIG. 8; FIG. 10 is a bottom plan view of the class ring of FIG. 8; FIG. 11 is a right side elevational view of the class ring of FIG. 8; a left side elevational view would be a mirror image of FIG. 11; FIG. 12 is a front elevational view of the ring of FIG. 8; a back elevational view would be a mirror image of the drawing shown in FIG. 12; FIG. 13 is a perspective view of a class ring showing a third embodiment of my new design; FIG. 14 is a top plan view of the ring of FIG. 13; FIG. 15 is a bottom plan view of the class ring of FIG. 13; FIG. 16 is a right side elevational view of the class ring of FIG. 13; a left side elevational view would be a mirror image of FIG. 16; FIG. 17 is a front elevational view of the ring of FIG. 13; a rear elevational view would be a mirror image of FIG. 17.



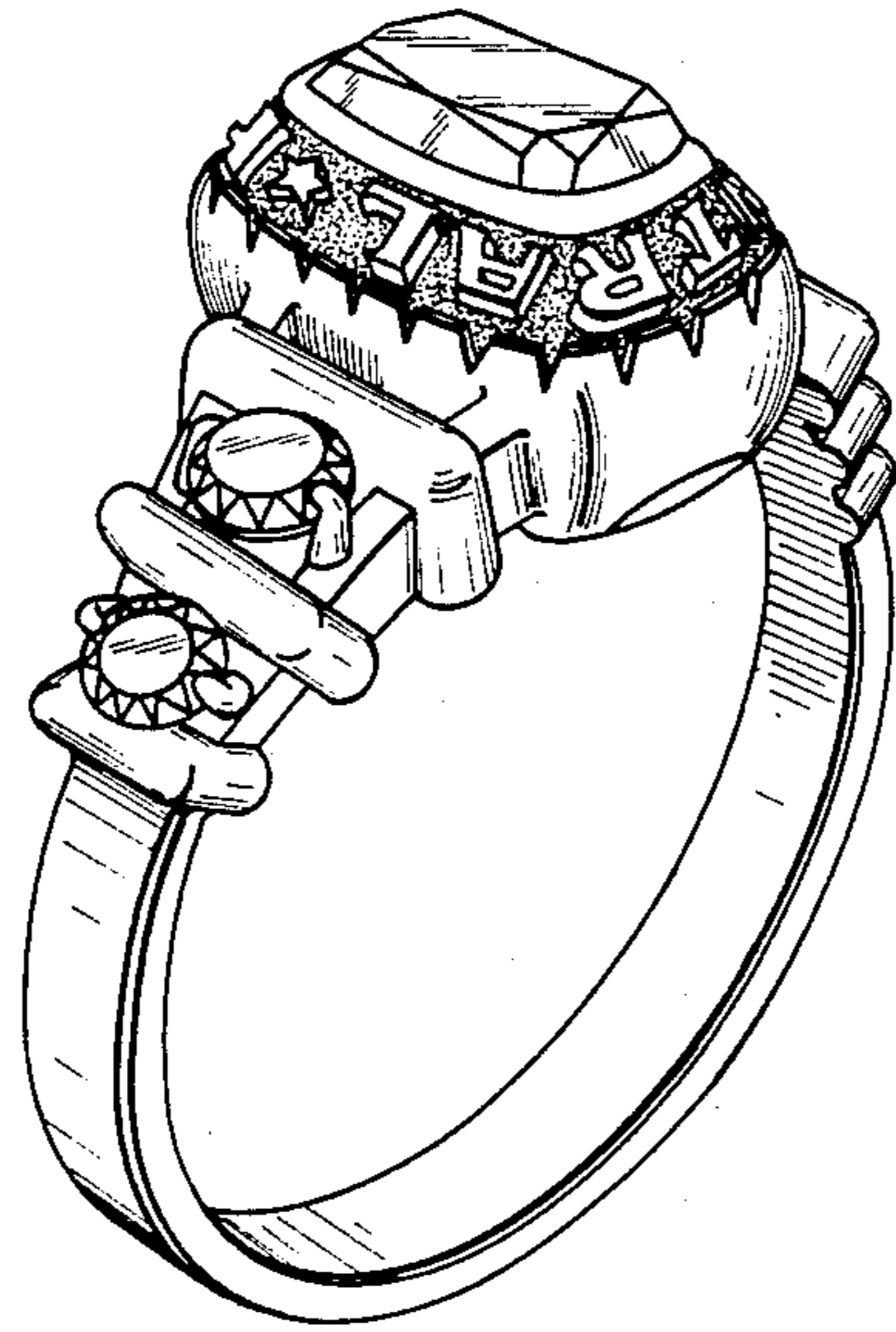


FIG. 1



FIG. 2

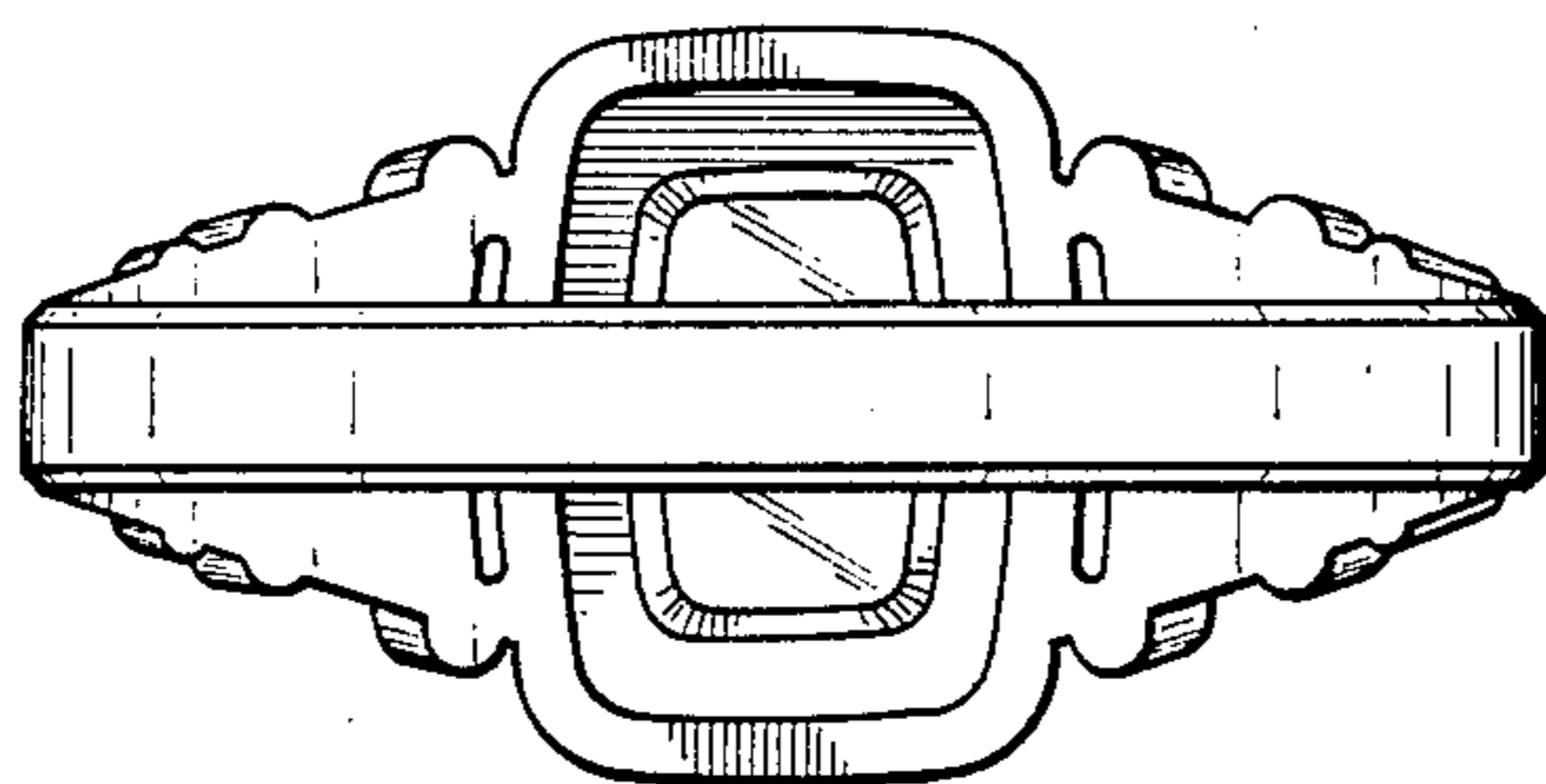


FIG. 3

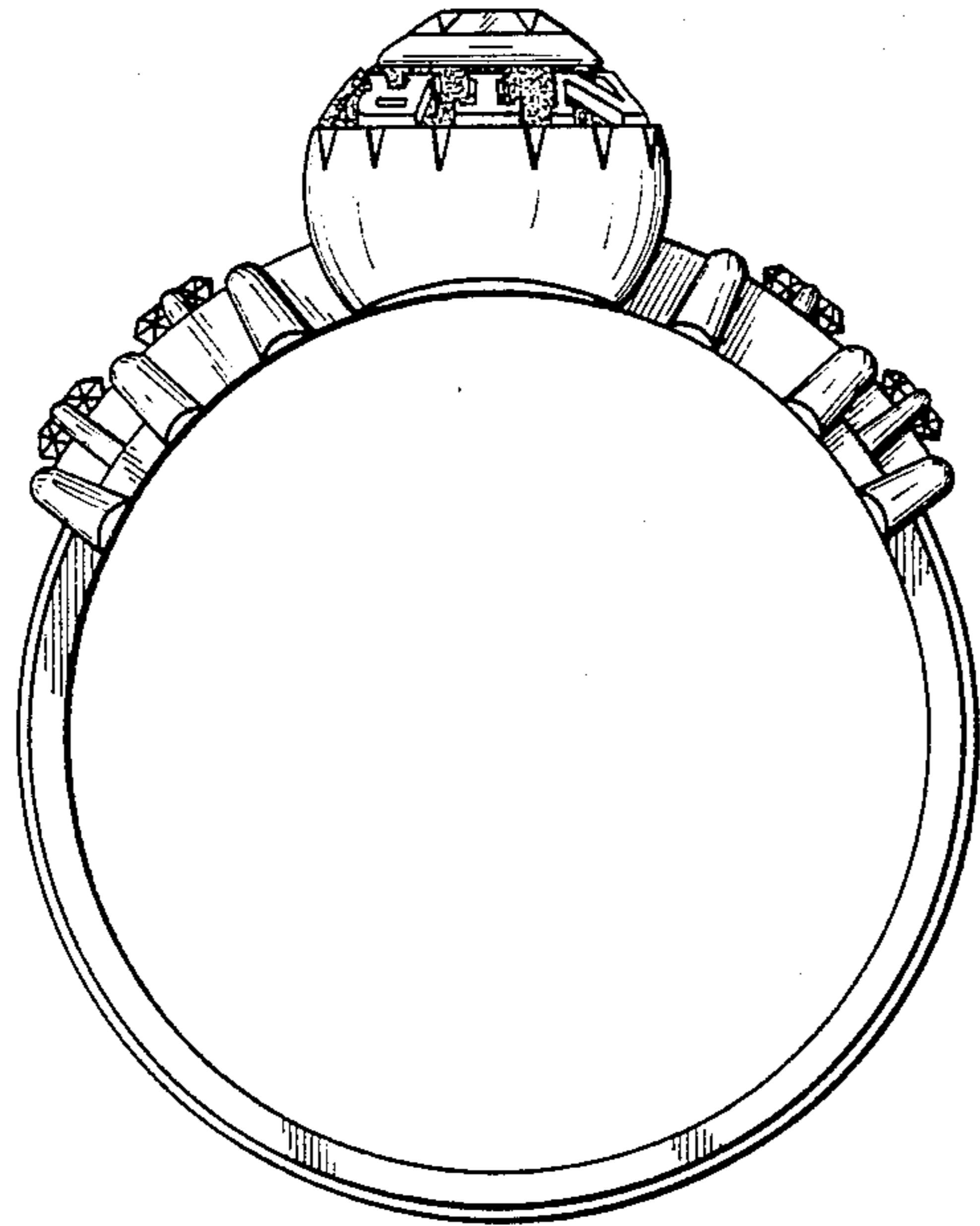


FIG.4

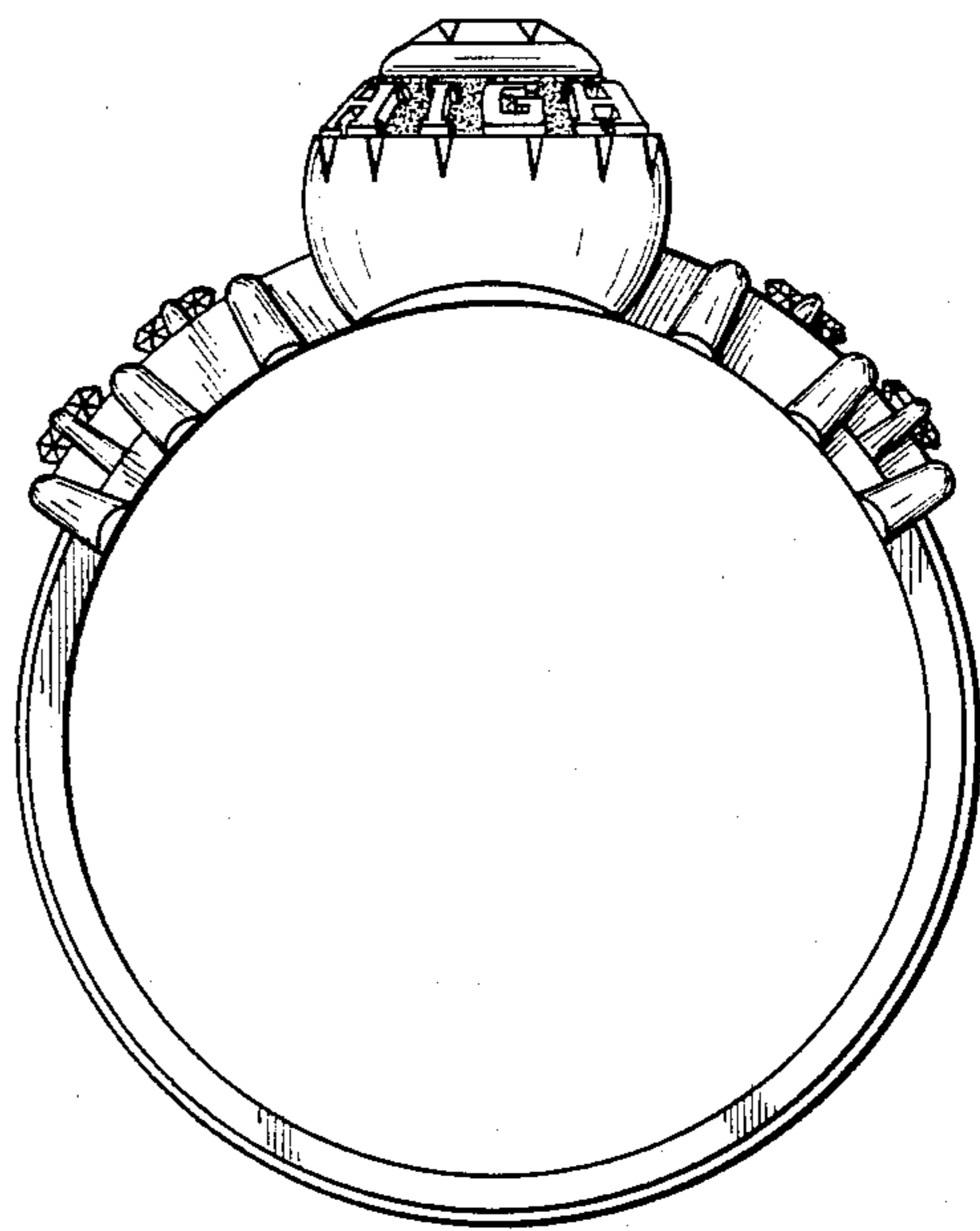


FIG.5

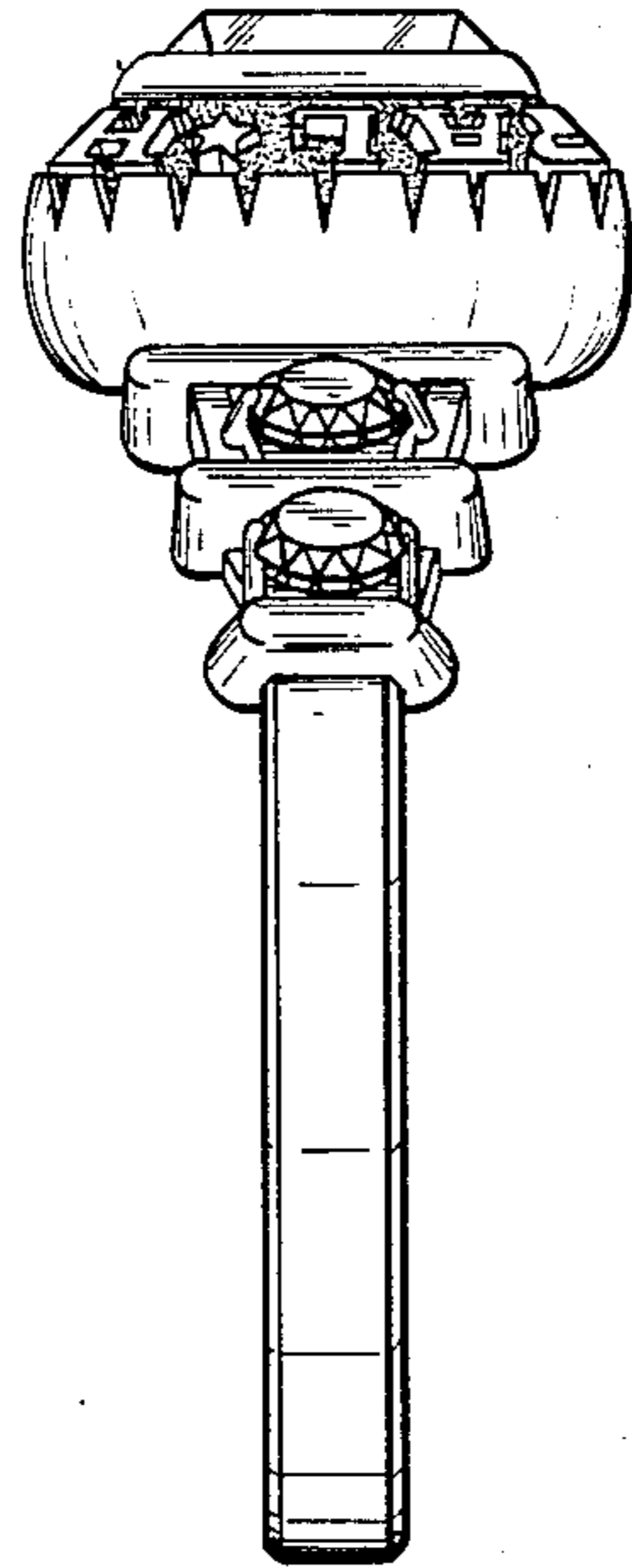


FIG. 6

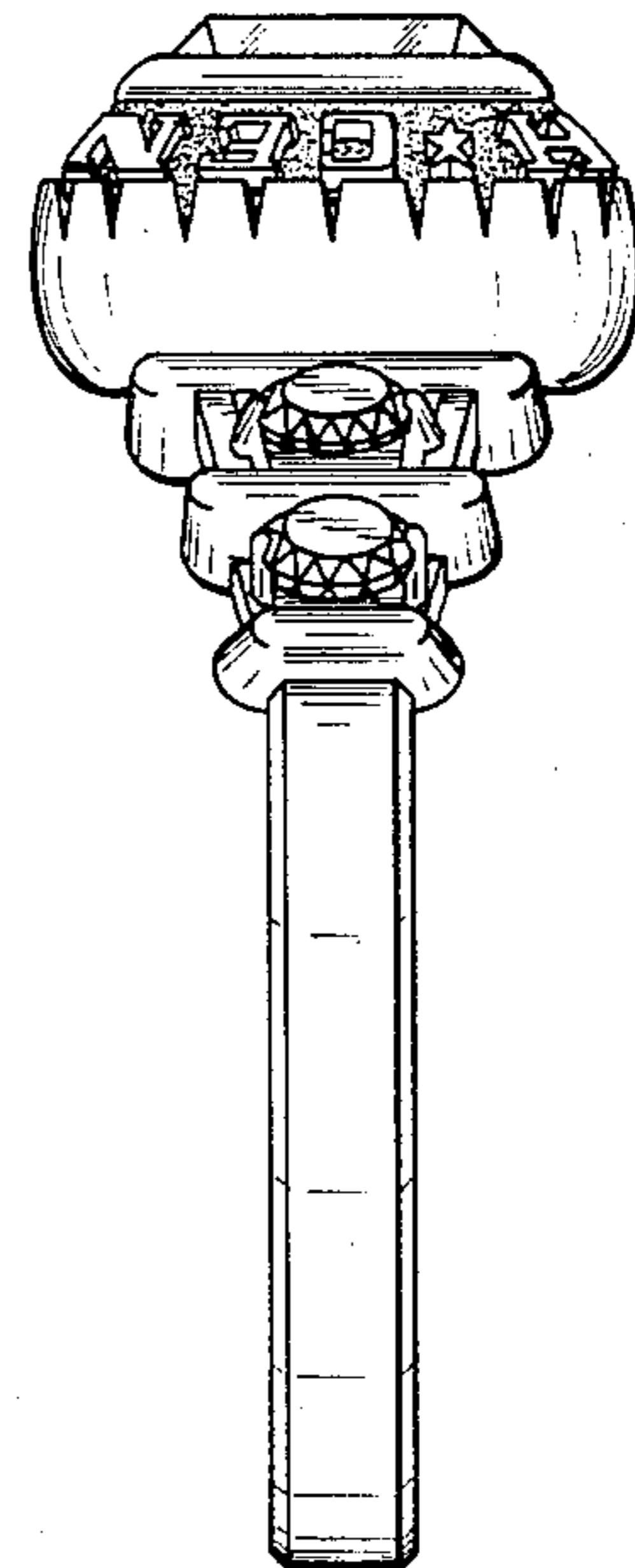


FIG. 7

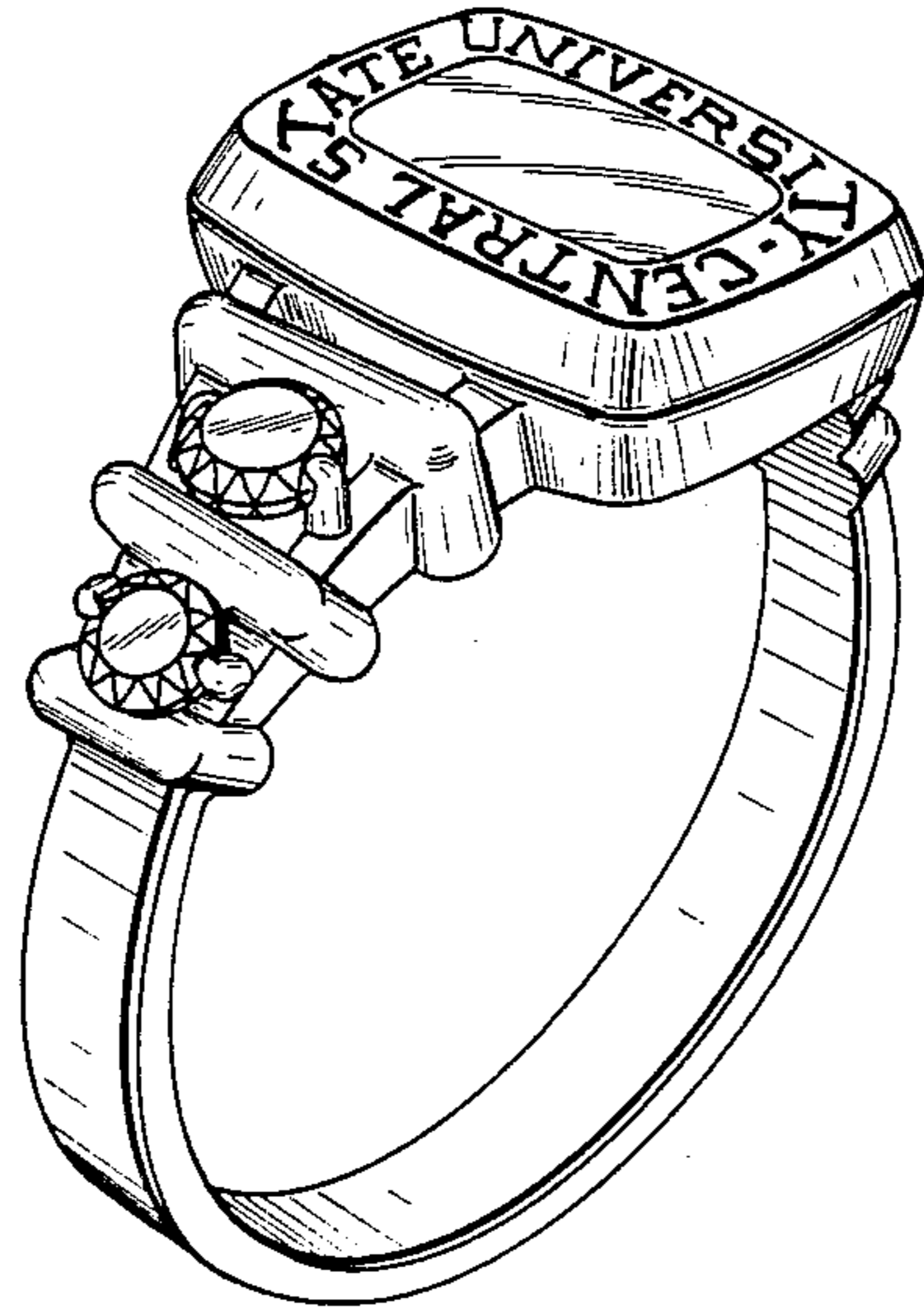


FIG. 8

FIG. 9

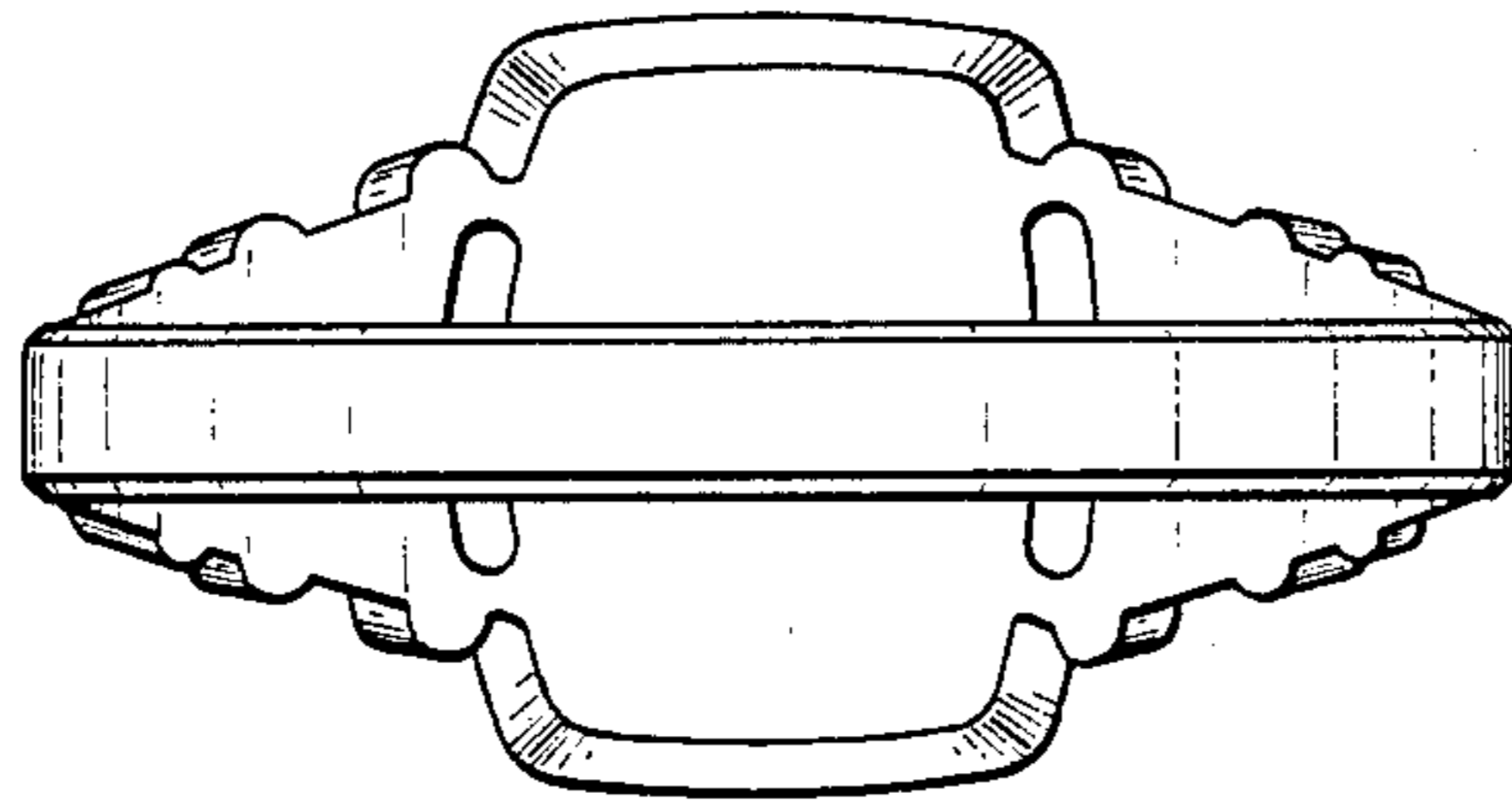
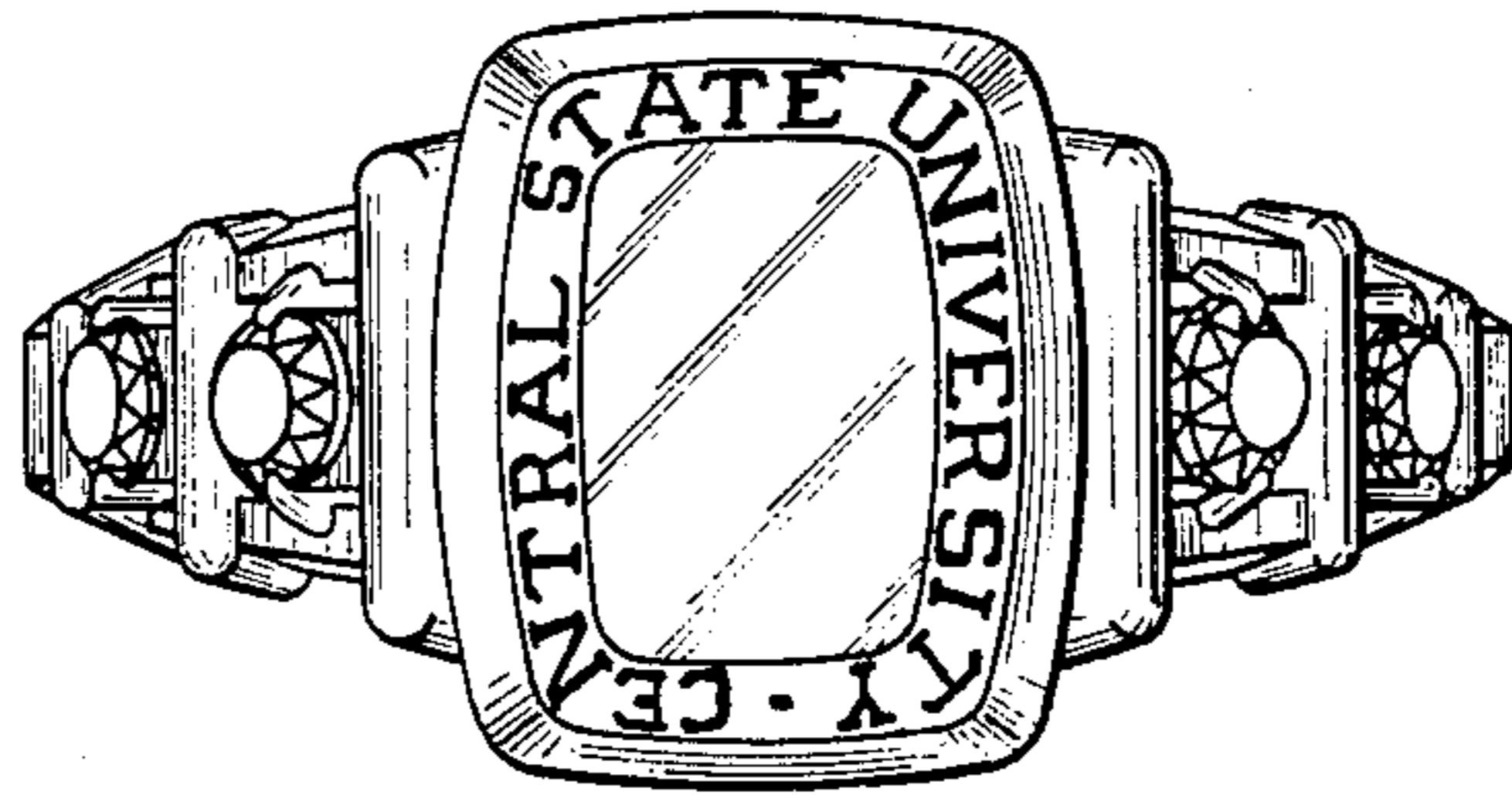


FIG. 10

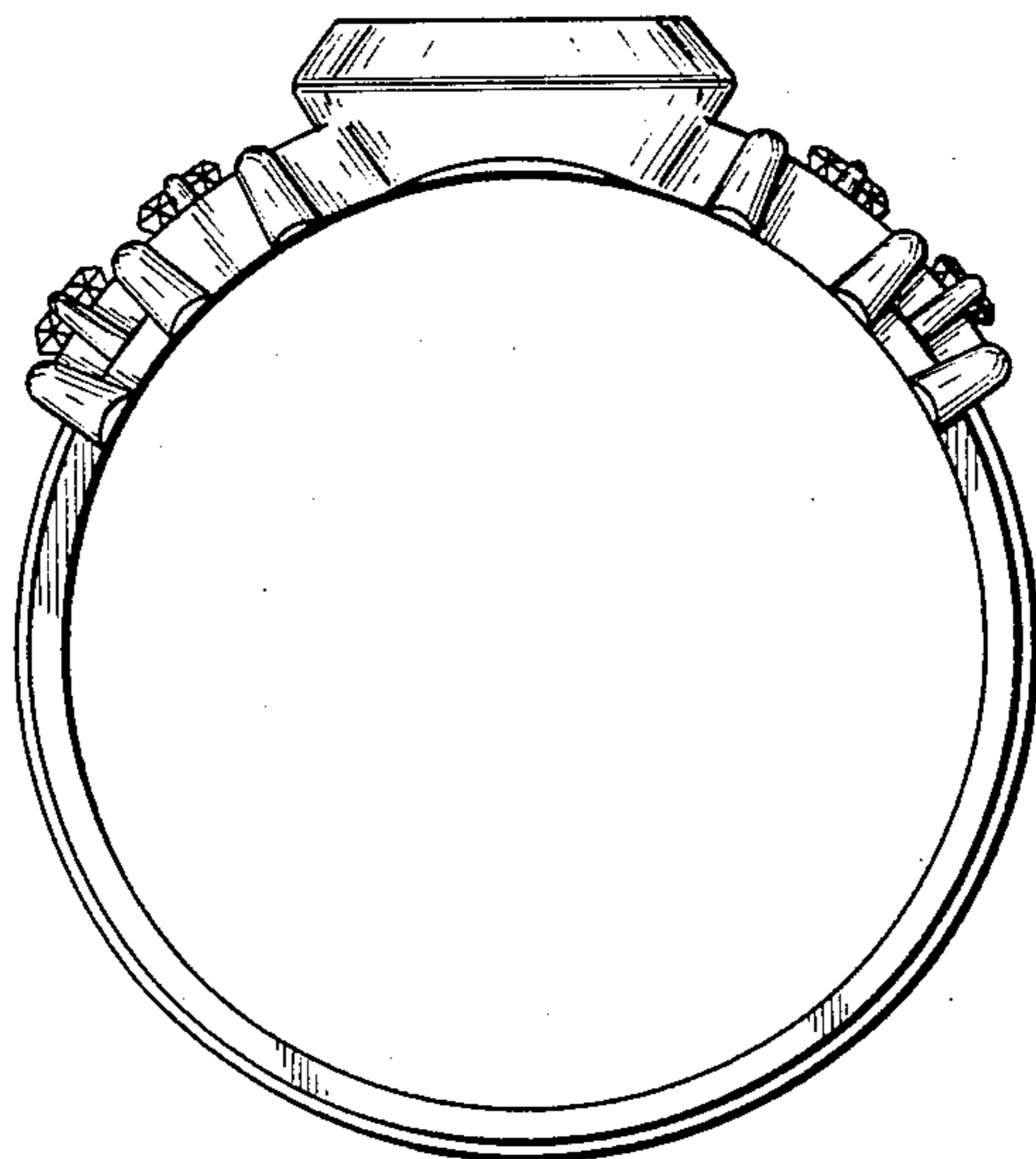


FIG.11

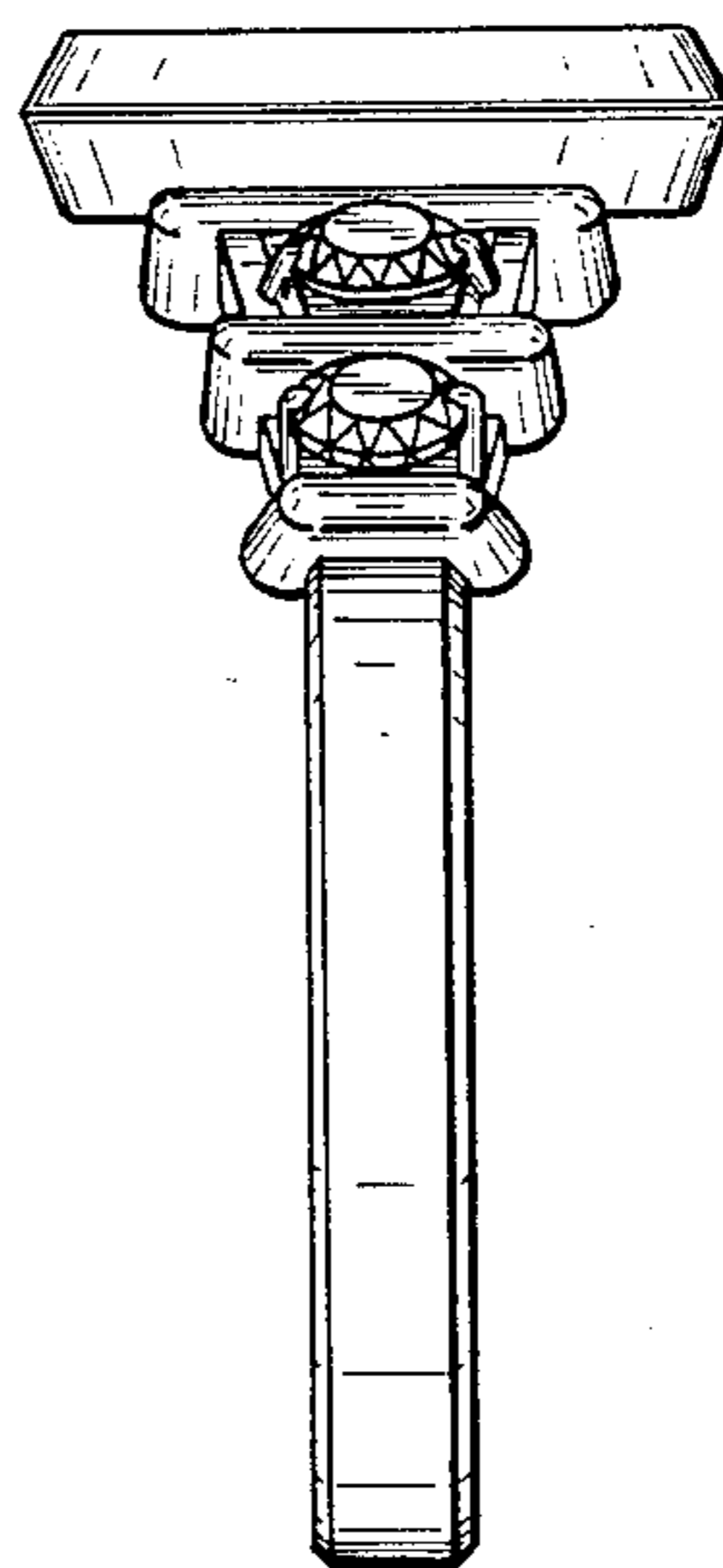


FIG.12

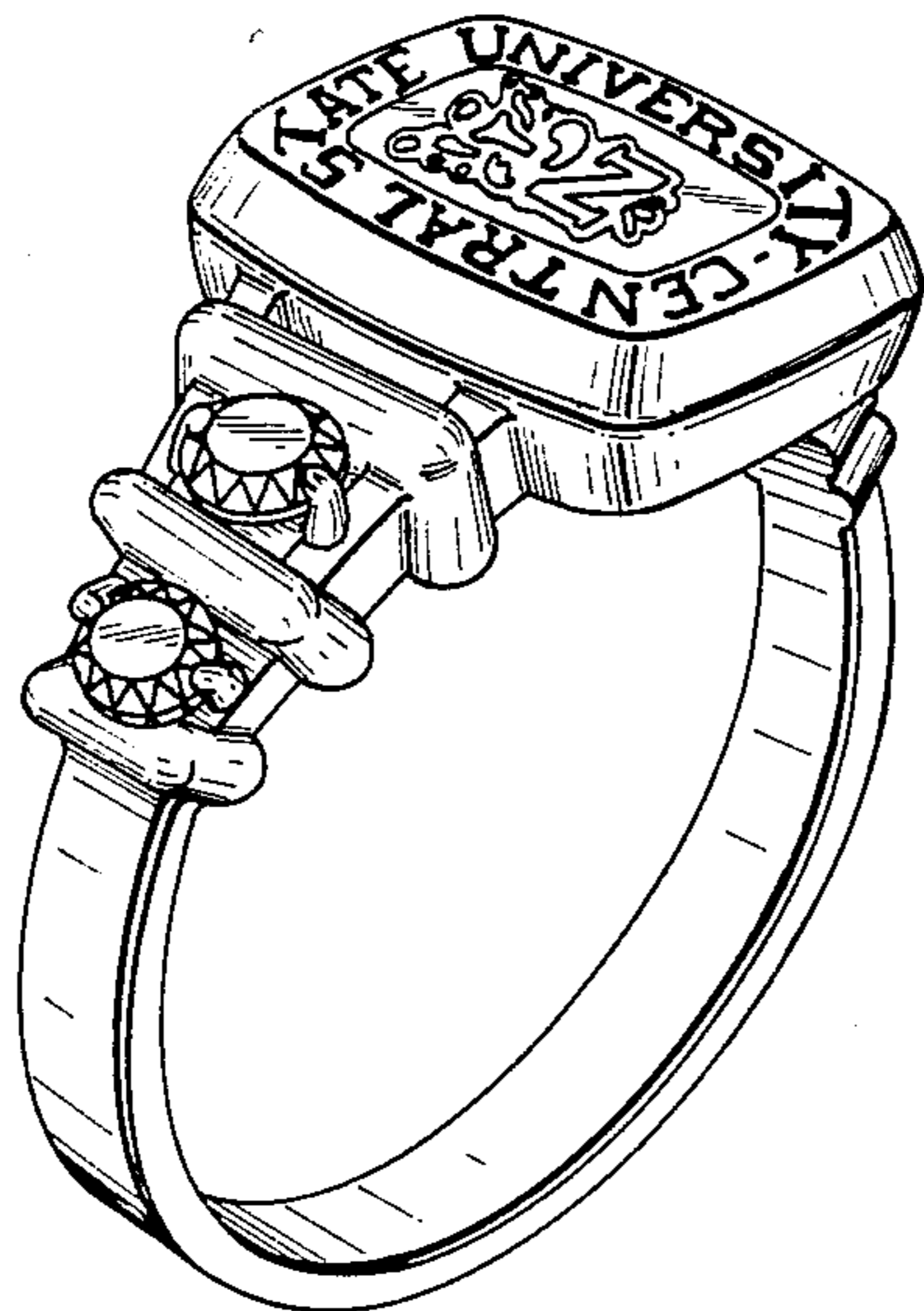


FIG. 13

FIG. 14

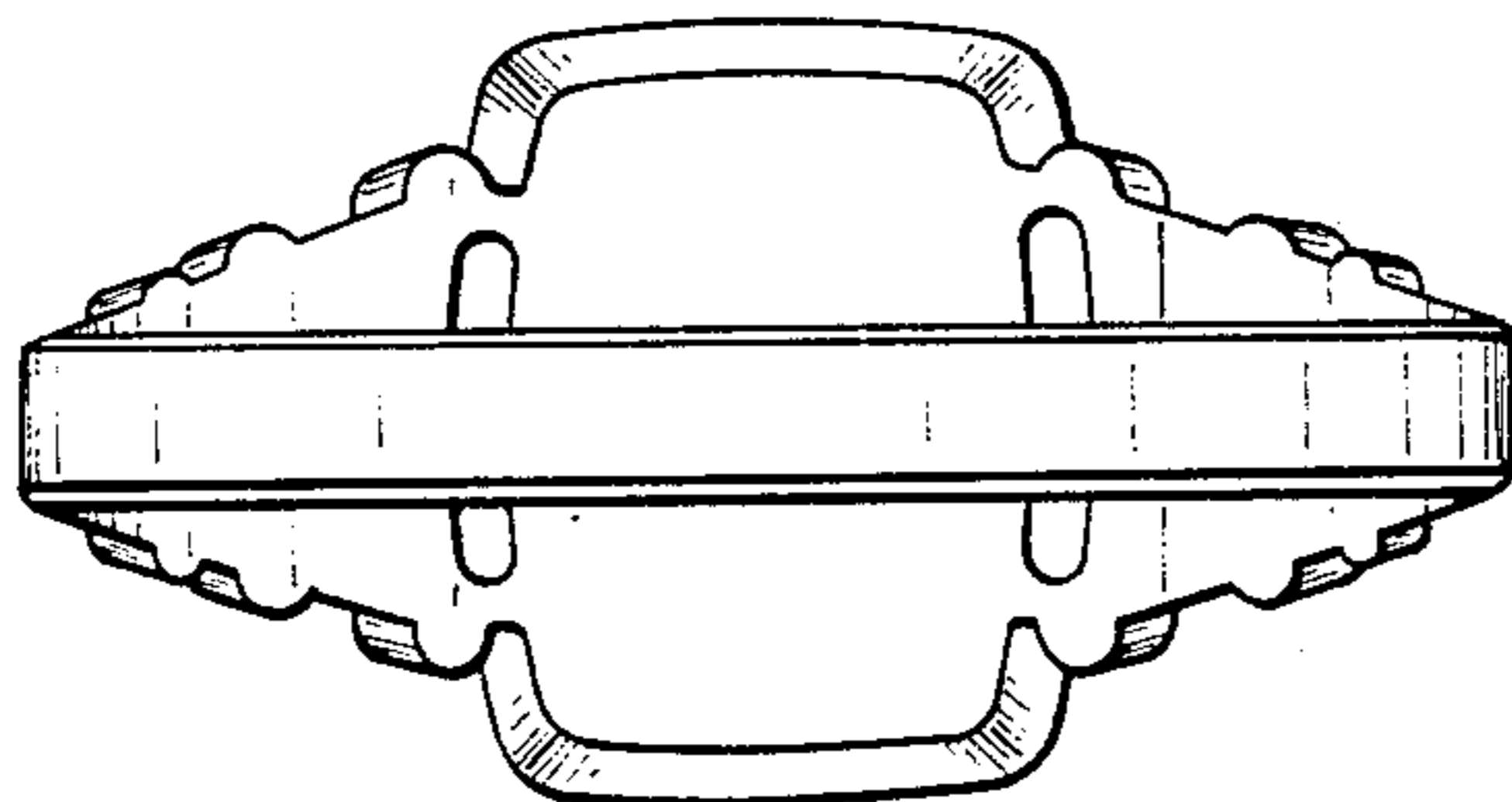


FIG. 15

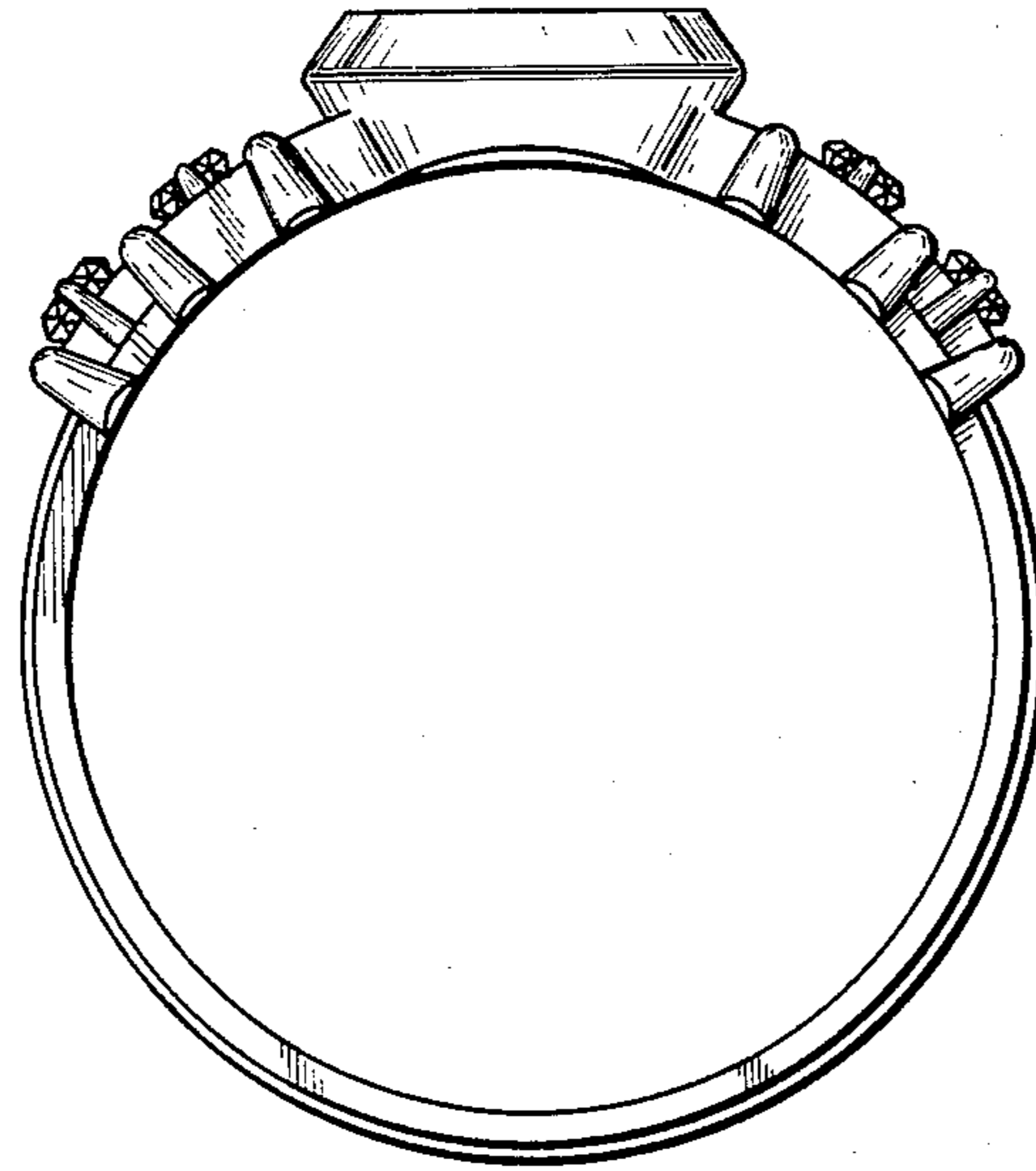


FIG.16

FIG.17

