

[54] CLAMP-ON CURRENT PROBE

[56] References Cited

[75] Inventors: Daniel Arnoux, St. Germain en Laye; Christian Anton, Taverny; Claude Genter, Paris, all of France

U.S. PATENT DOCUMENTS

D. 288,301 2/1987 Arnoux D10/79
4,378,525 3/1983 Burdick 324/117 R X

[73] Assignee: Societe Chauvin Arnoux, Paris, France

Primary Examiner—Nelson C. Holtje
Attorney, Agent, or Firm—Wolf, Greenfield & Sacks

[**] Term: 14 Years

[57] CLAIM

The ornamental design for a clamp-on current probe, as shown and described.

[21] Appl. No.: 851,667

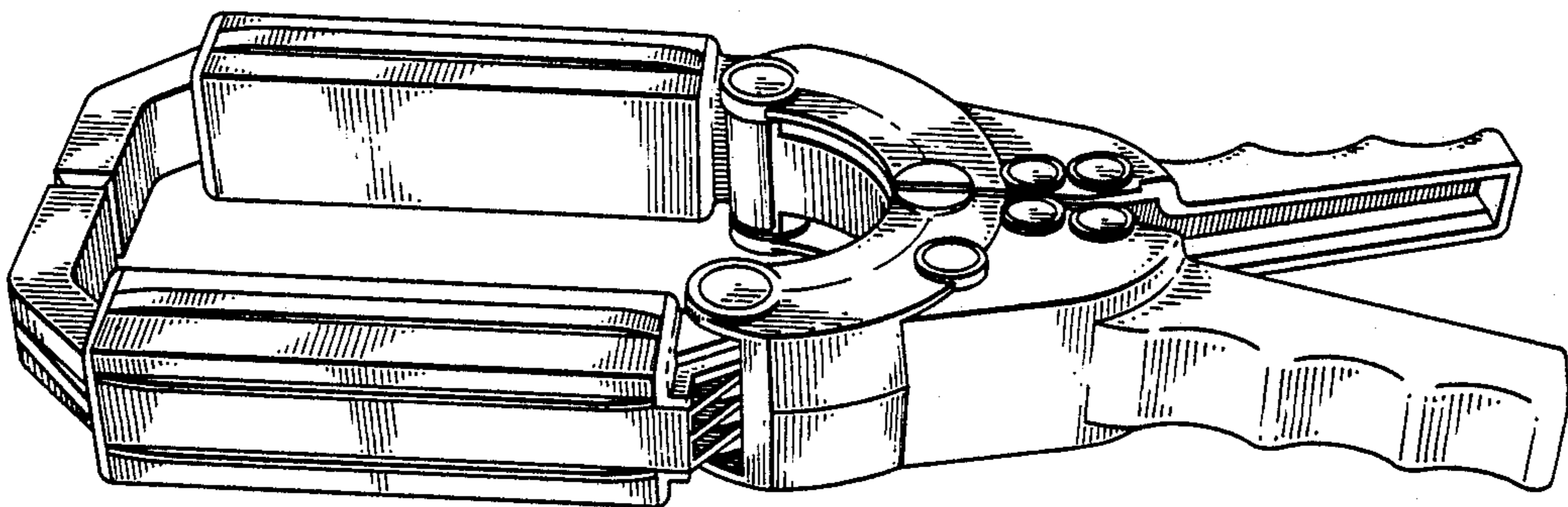
DESCRIPTION

FIG. 1 is a top-front perspective view of clamp-on current probe showing our new design;
FIG. 2 is a top plan view thereof, the bottom being a mirror image thereto;
FIG. 3 is a front elevational view thereof, the rear being a mirror image thereto;
FIG. 4 is a left side elevational view thereof;
FIG. 5 is a right side elevational view thereof.

[22] Filed: Apr. 11, 1986

[52] U.S. Cl. D10/79

[58] Field of Search D10/79; 324/127 R, 117 R



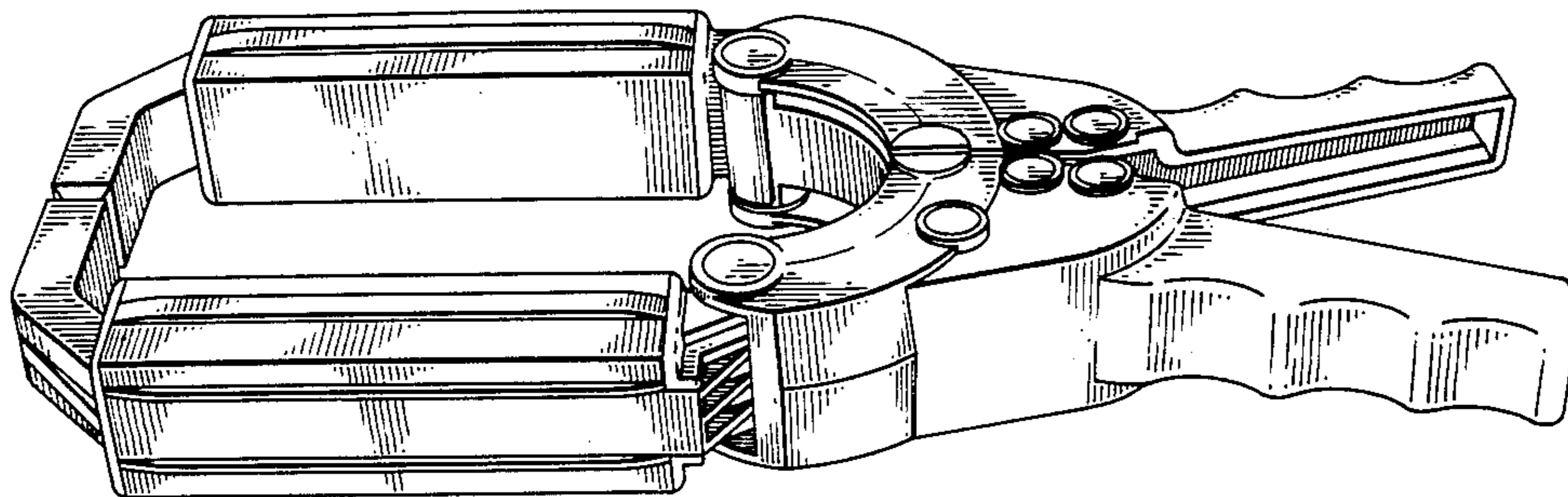


FIG. 1

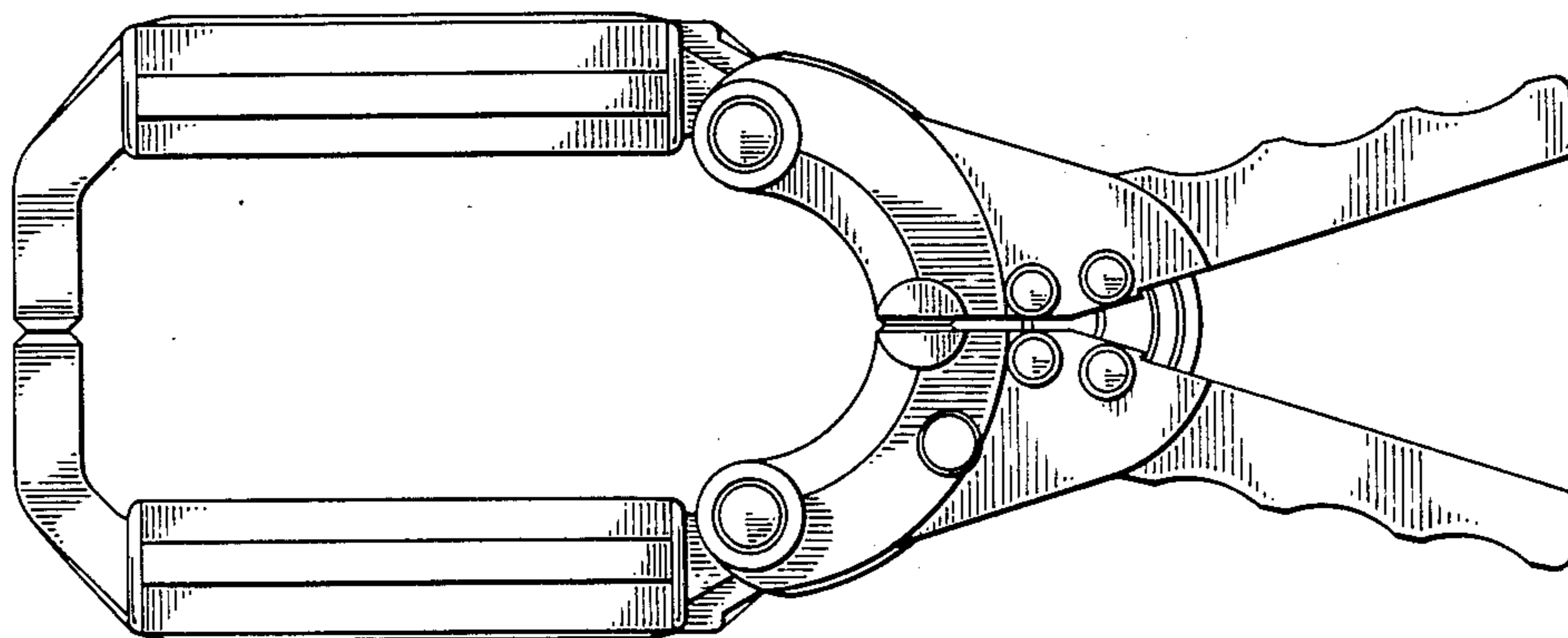


FIG. 2

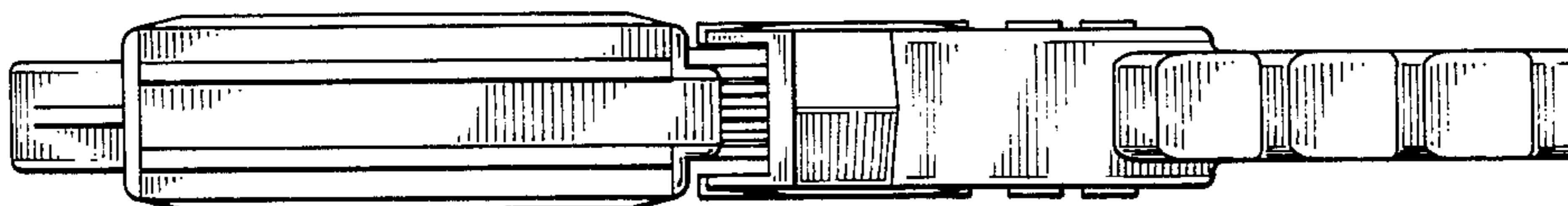


FIG. 3

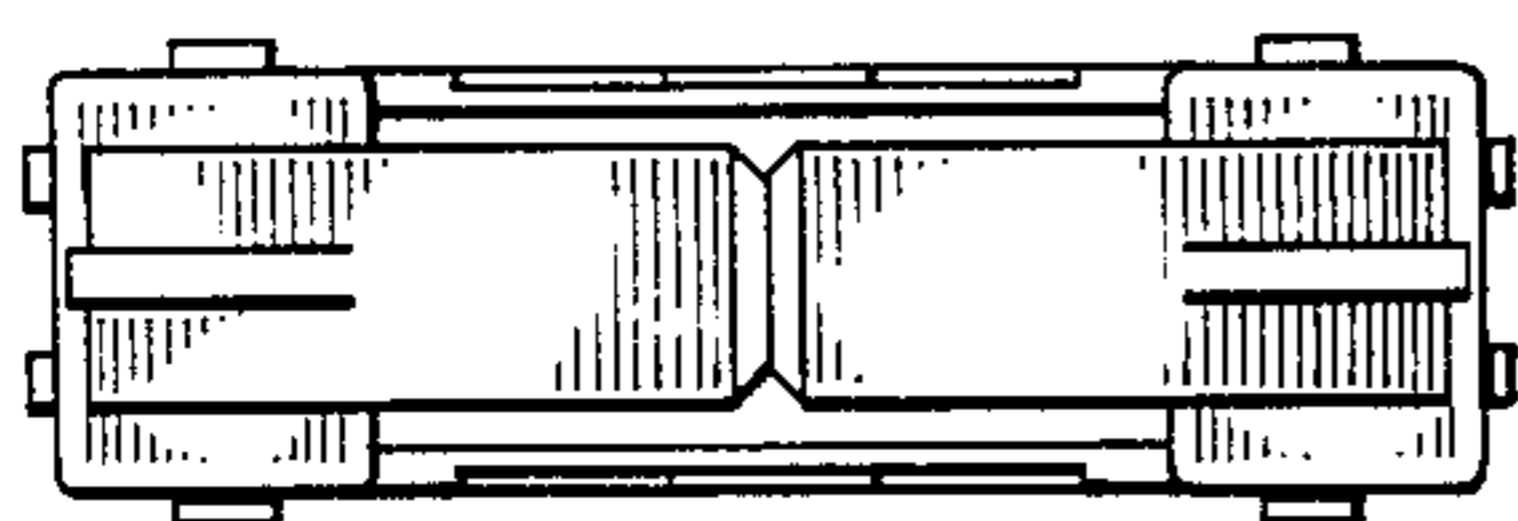


FIG. 4

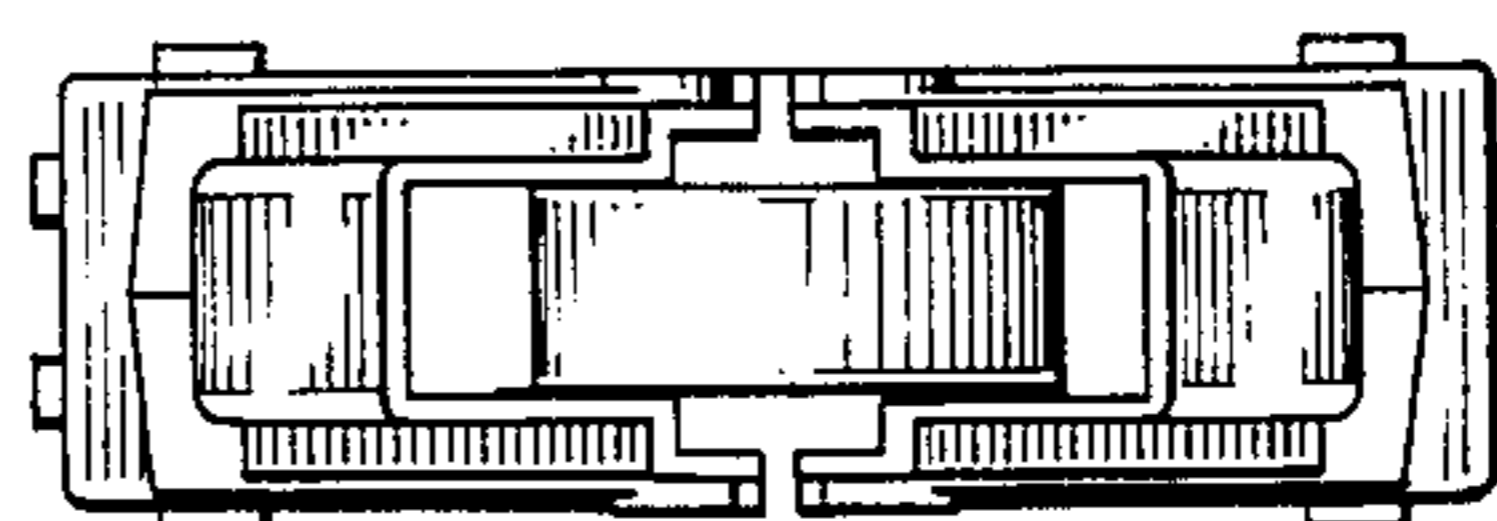


FIG. 5