

# United States Patent [19]

Arnoux et al.

[11] Patent Number: Des. 300,306

[45] Date of Patent: \*\* Mar. 21, 1989

[54] MULTI-METER

[75] Inventors: Daniel Arnoux, St. Germain en Laye; Christian Anton, Taverny; Claude Genter, Paris, all of France

[73] Assignee: Societe Chauvin Arnoux, Paris, France

[\*\*] Term: 14 Years

[21] Appl. No.: 826,624

[22] Filed: Feb. 6, 1986

### [30] Foreign Application Priority Data

Sep. 13, 1985 [FR] France ..... 85 4286  
[52] U.S. Cl. .... D10/78; D10/15  
[58] Field of Search ..... D10/15, 75, 78, 80; 324/72.5, 73 R, 76 R, 115, 156

### [56] References Cited

#### U.S. PATENT DOCUMENTS

D. 255,551 6/1980 Hirota ..... D10/15

D. 257,235 10/1980 Cheung ..... D10/15  
D. 258,221 2/1981 Shimasaki ..... D10/15 X  
D. 264,944 6/1982 Palmer ..... D10/15  
D. 269,328 6/1983 Cheung ..... D10/15  
D. 270,337 8/1983 Tanabe ..... D10/78  
D. 274,798 7/1984 O'Hara ..... D10/15 X  
D. 282,645 2/1986 Larson ..... D10/78

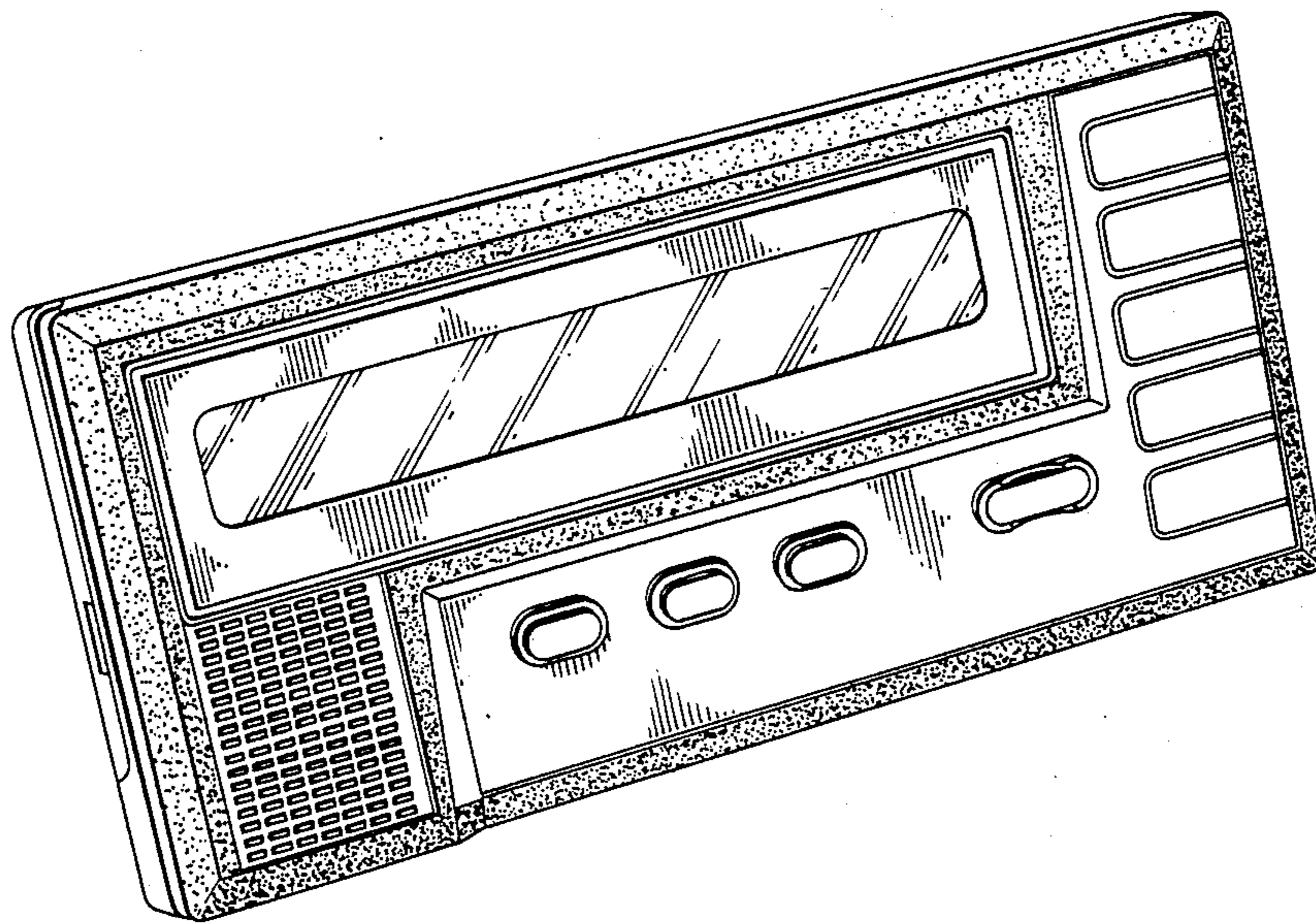
Primary Examiner—Nelson C. Holtje  
Attorney, Agent, or Firm—Wolf, Greenfield & Sacks

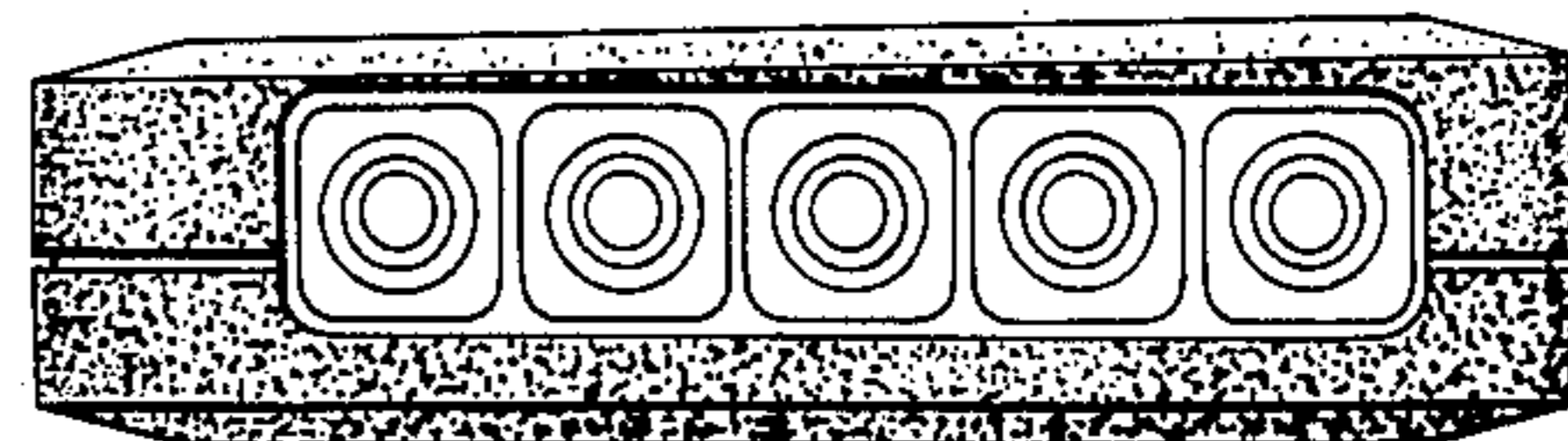
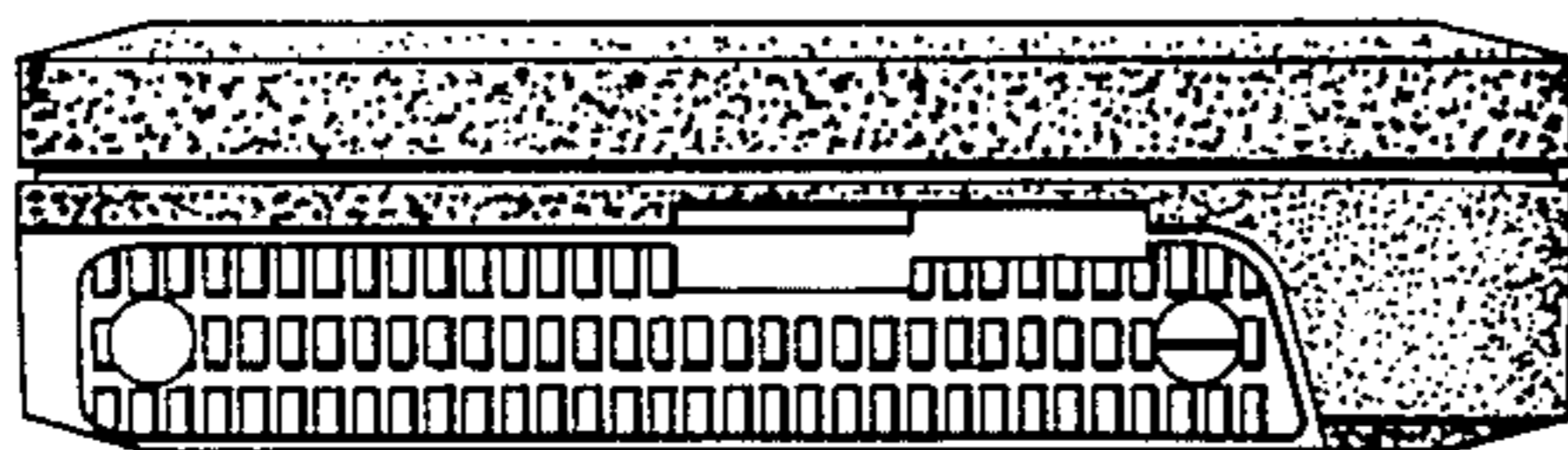
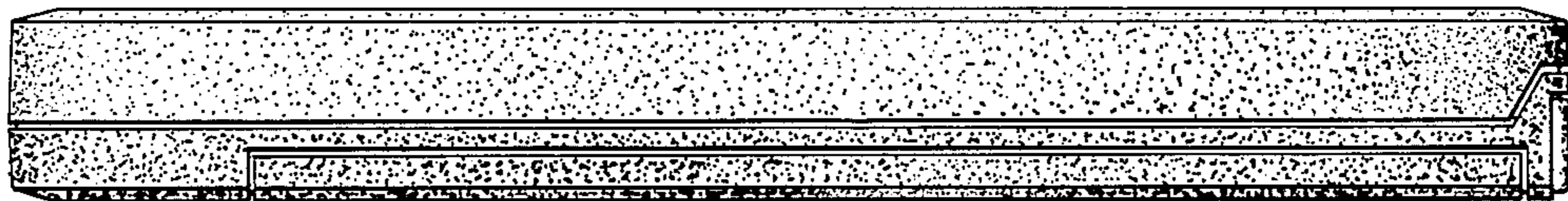
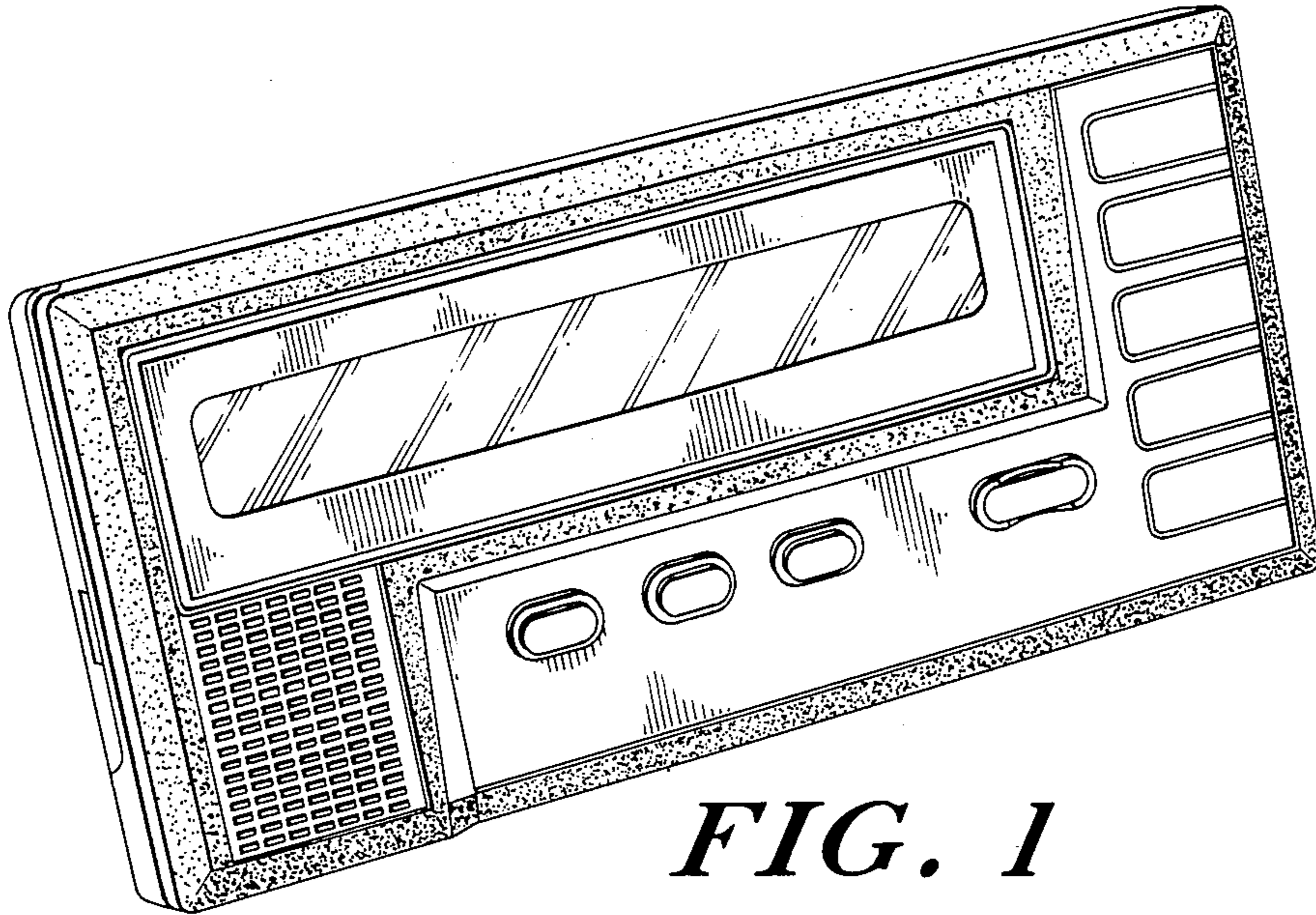
### [57] CLAIM

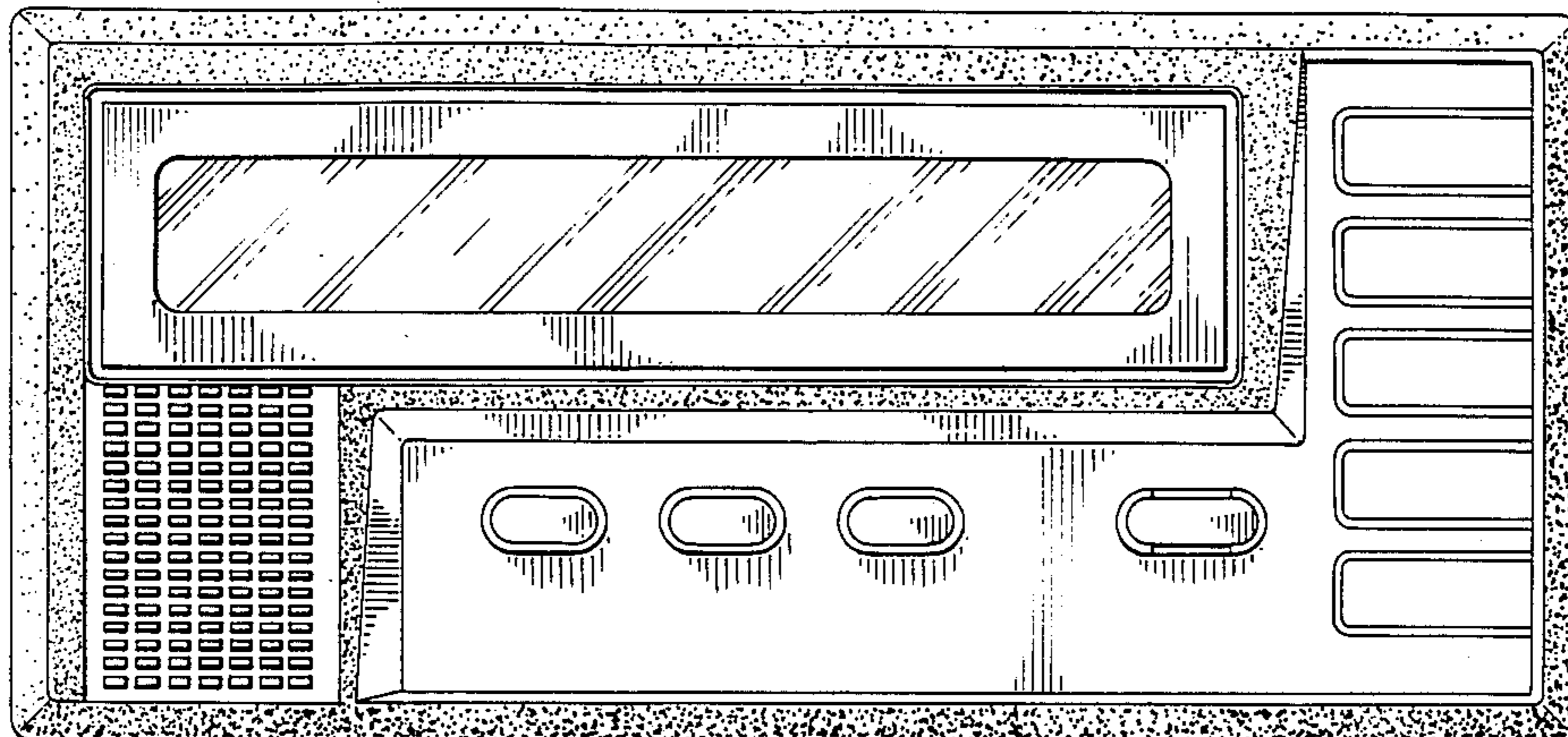
The ornamental design for a multi-meter, as shown and described.

### DESCRIPTION

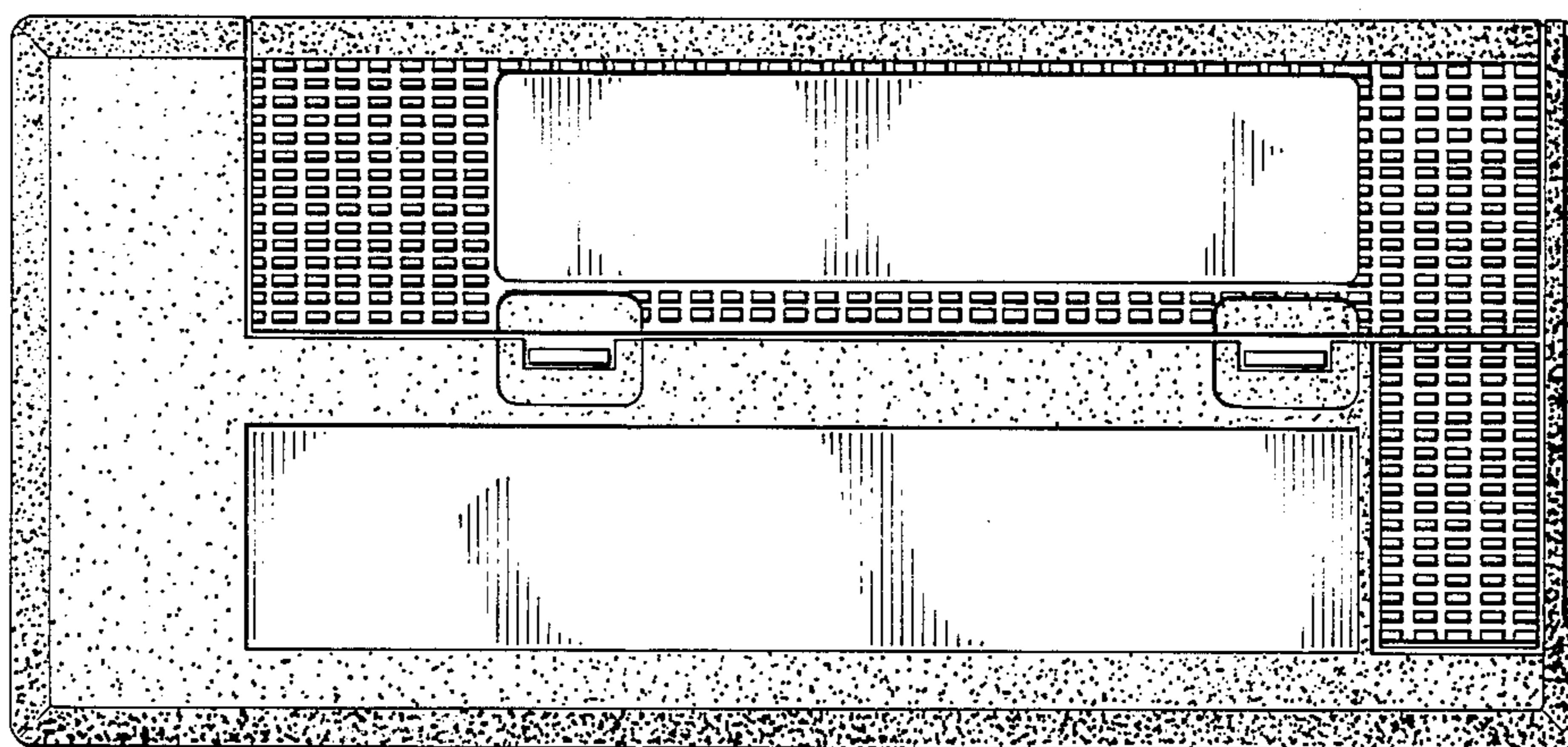
FIG. 1 is a front and top-left perspective view of a multi-meter showing our new design; FIG. 2 is a top plan view thereof; FIG. 3 is a bottom plan view thereof; FIG. 4 is a left side elevational view thereof; FIG. 5 is a right side elevational view thereof; FIG. 6 is a front elevational view thereof; and FIG. 7 is a rear elevational view thereof.







*FIG. 6*



*FIG. 7*