

[54] COMBINED CLOCK, THERMOMETER AND COMPASS MODULE

[75] Inventor: Marc R. Iacovelli, Miami, Fla.

[73] Assignee: Rally Manufacturing, Inc., Miami, Fla.

[**] Term: 14 Years

[21] Appl. No.: 867,758

[22] Filed: May 29, 1986

[52] U.S. Cl. D10/2; D10/57; D10/53; D10/68; D10/102

[58] Field of Search D10/2, 15, 57, 60, 53, D10/18, 68, 102, 103; 368/10, 11, 14; 374/141-142, 107, 205; 33/272-273, 347, 355, 364

[56] References Cited

U.S. PATENT DOCUMENTS

- D. 160,077 9/1980 Eaves D10/53
- D. 223,404 4/1972 Schwartz D10/102 X
- D. 235,093 5/1975 Kroner D10/18
- D. 274,042 5/1984 Bulgari D10/18

- D. 274,505 7/1984 Westberg D10/102
- D. 286,751 11/1986 Hsieh D10/2
- D. 287,943 1/1987 Tanaka D10/57 X
- D. 288,536 3/1987 Tanaka D10/53
- 1,804,048 5/1931 Bosch D10/18 X
- 3,768,314 10/1973 Metzler D10/102 X

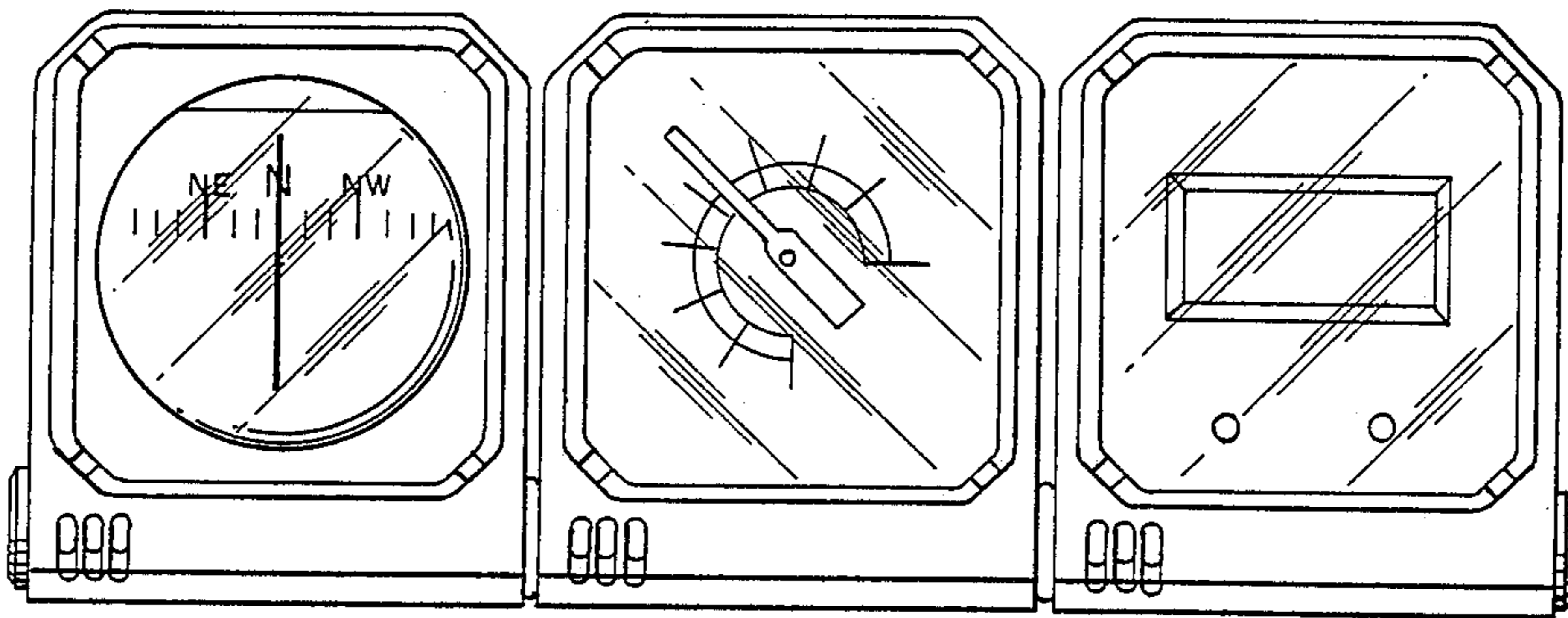
Primary Examiner—Nelson C. Holtje
Attorney, Agent, or Firm—Gilbert L. Wells

[57] CLAIM

The ornamental design for a combined clock, thermometer and compass, as shown.

DESCRIPTION

FIG. 1 is a exploded front and top left perspective view of a combined clock, thermometer and compass module showing my new design in the flip-up position;
 FIG. 2 is a front elevational view thereof in the retracted position;
 FIG. 3 is a left side elevational view of FIG. 2;
 FIG. 4 is a top plan view of FIG. 2;
 FIG. 5 is a bottom plan view of FIG. 2;
 FIG. 6 is a rear elevational view of FIG. 2;
 FIG. 7 is a right side elevational view of FIG. 2.



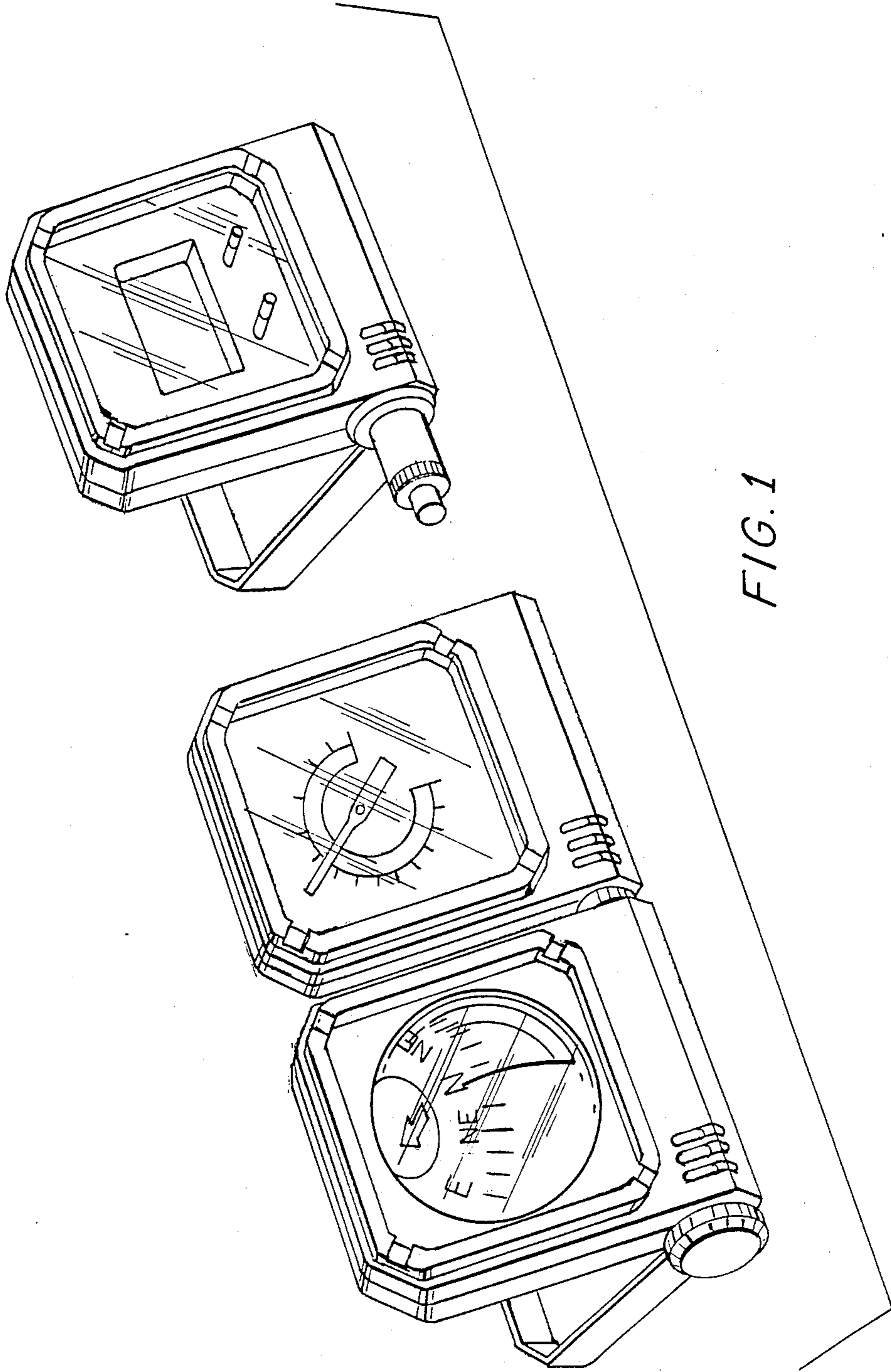


FIG. 1

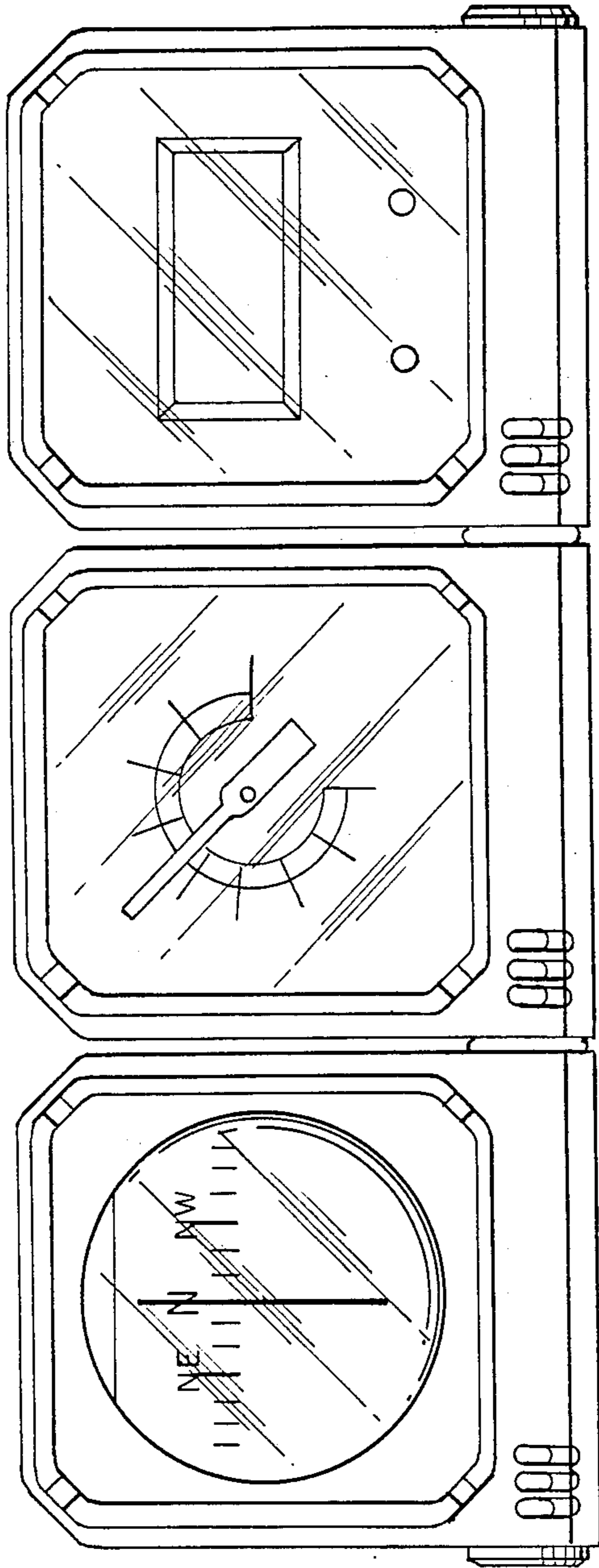


FIG. 2

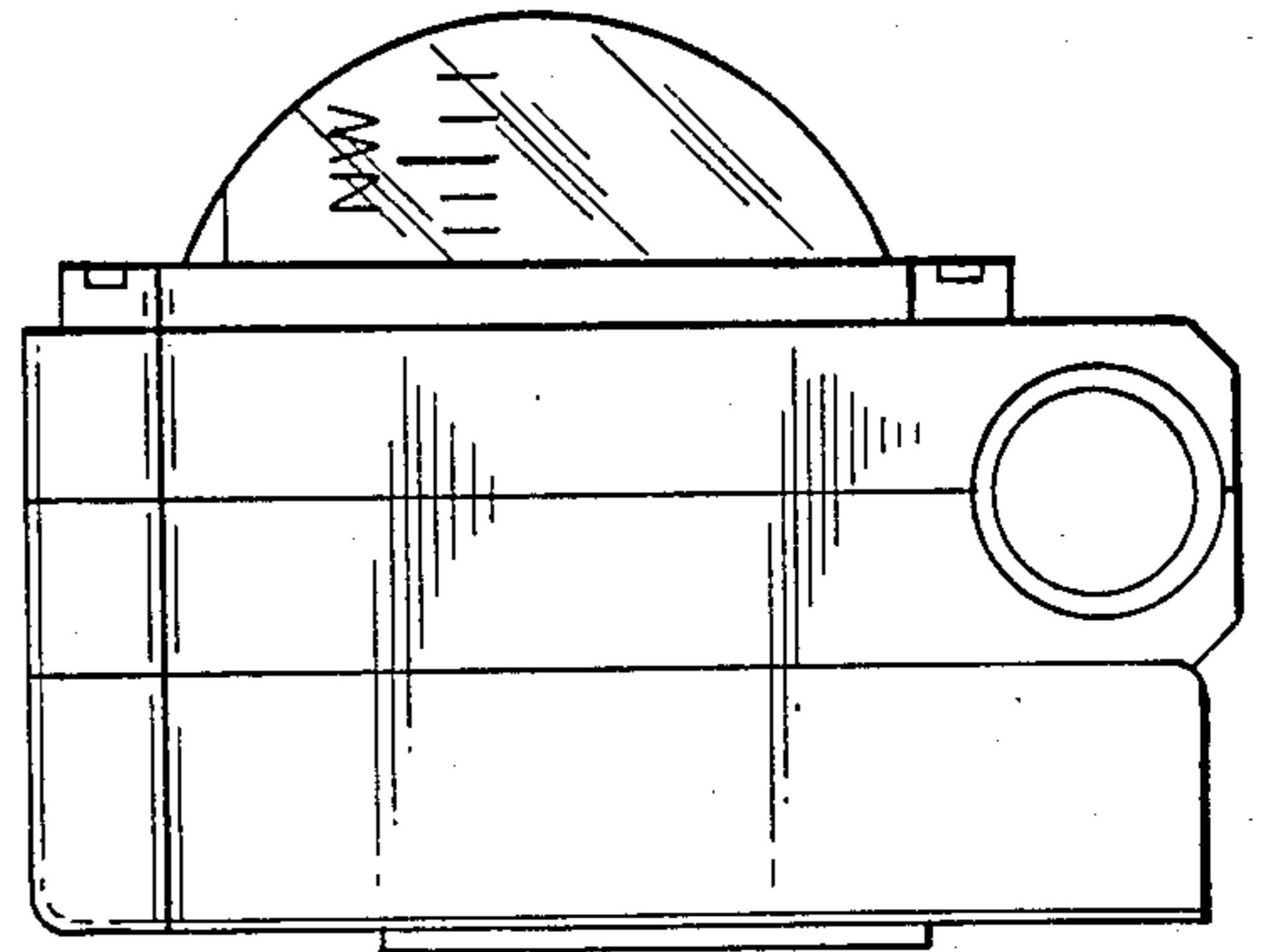


FIG. 3

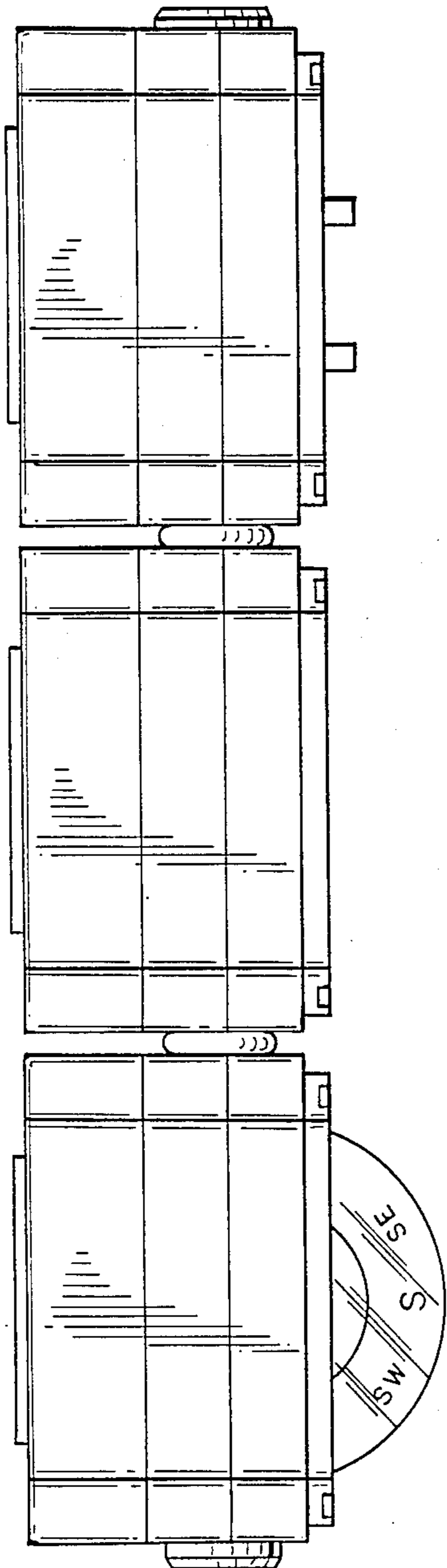


FIG. 4

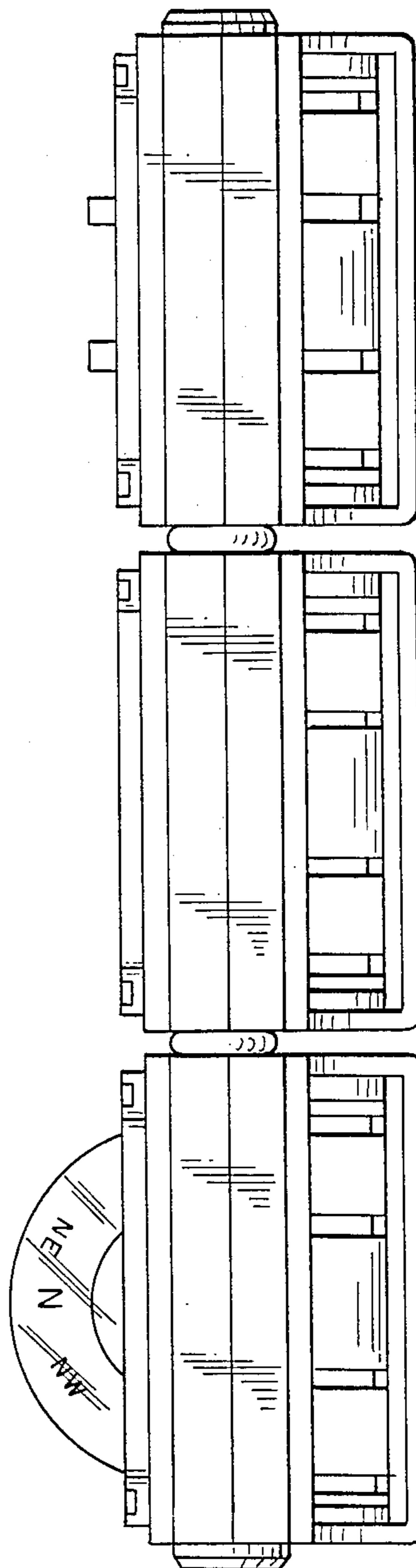


FIG. 5

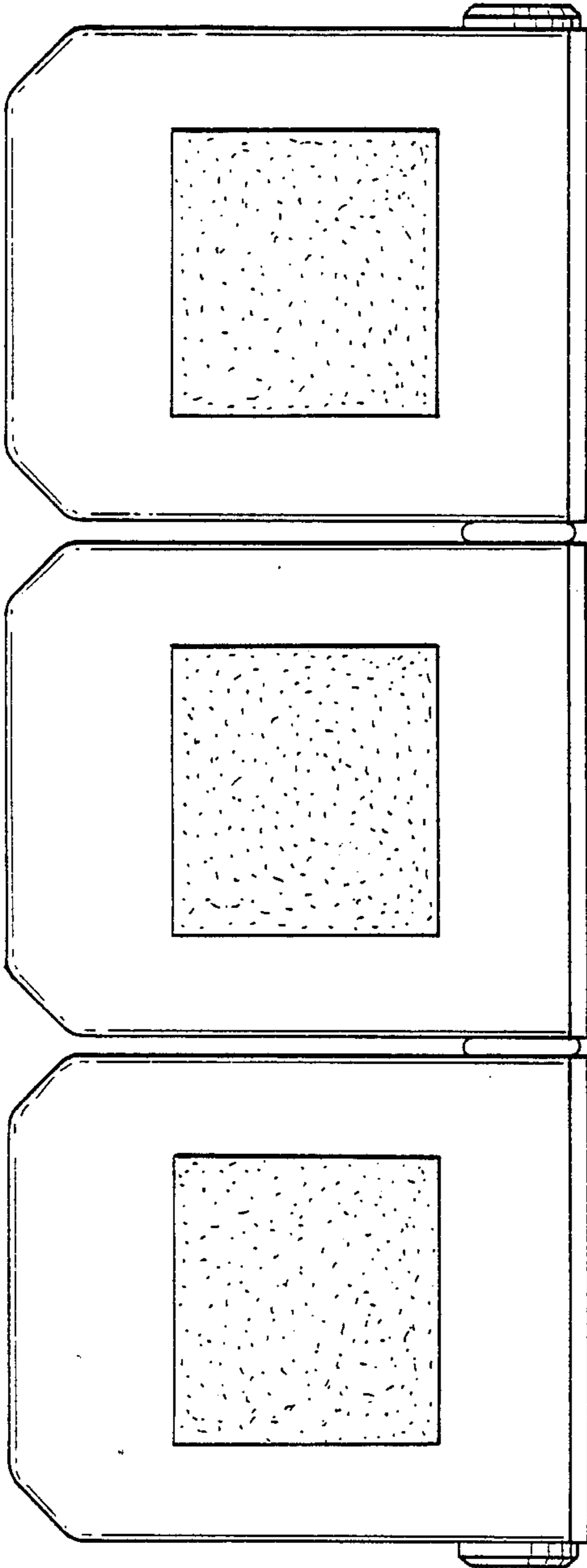


FIG. 6

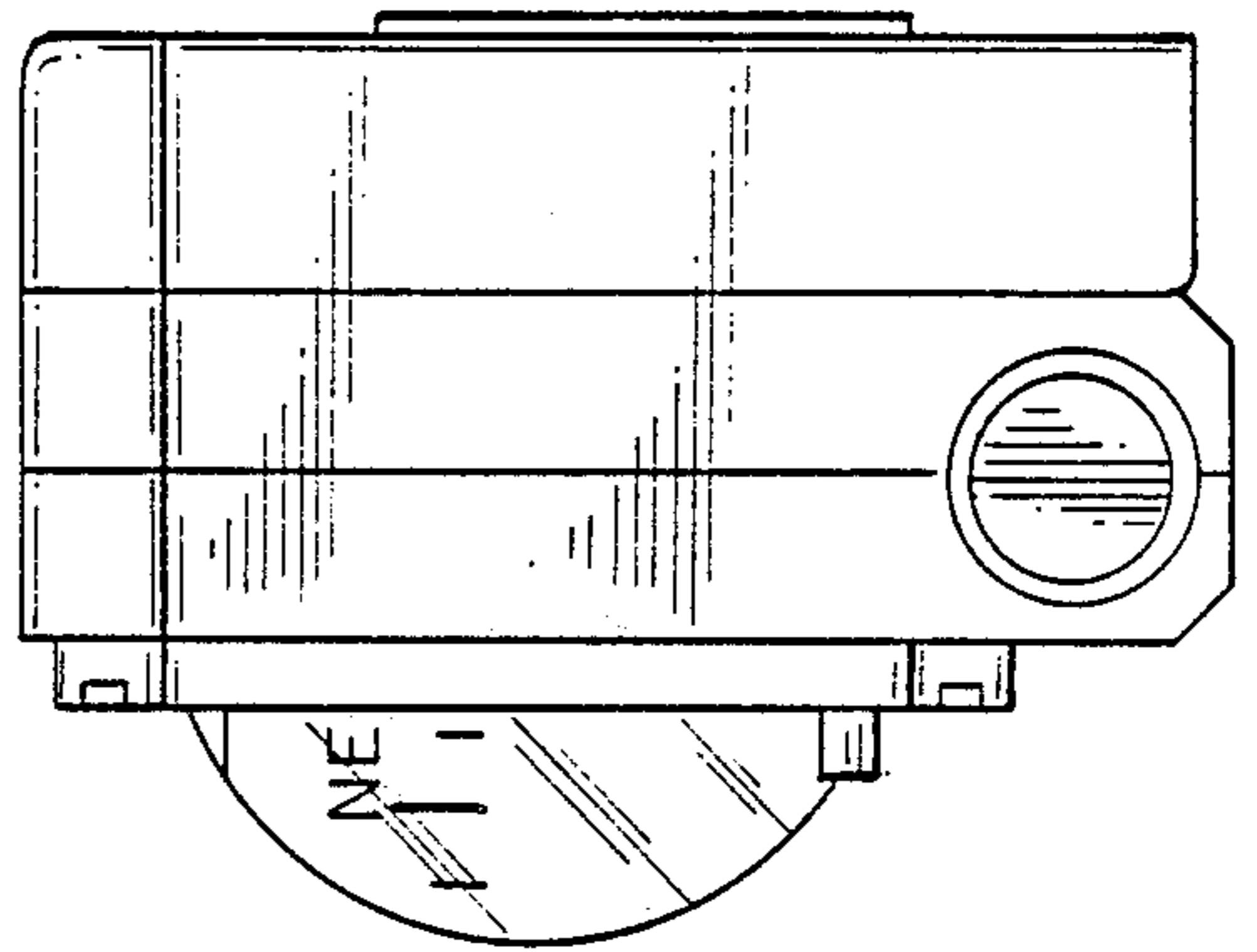


FIG. 7