

[54] INTERCONNECTABLE BEVERAGE CONTAINER

[76] Inventor: Michael Sparling, 34 Tyler St., Rochester, N.Y. 14621

[**] Term: 14 Years

[21] Appl. No.: 822,147

[22] Filed: Jan. 24, 1986

[52] U.S. Cl. D9/337; 206/427

[58] Field of Search D9/337, 356, 396, 397, D9/406, 405, 436, 443, 425, 355, 369, 509, 367; 220/23.4; 206/161, 427; 215/10, 100 P; 446/127

[56] References Cited

U.S. PATENT DOCUMENTS

- D. 243,070 1/1977 Burgheimer D9/436
- D. 243,316 2/1977 Reynolds D9/355

- 3,194,426 7/1965 Brown, Jr. D9/367
- 4,509,639 4/1985 Thompson 206/427
- 4,573,595 3/1986 Mednis 206/509 X

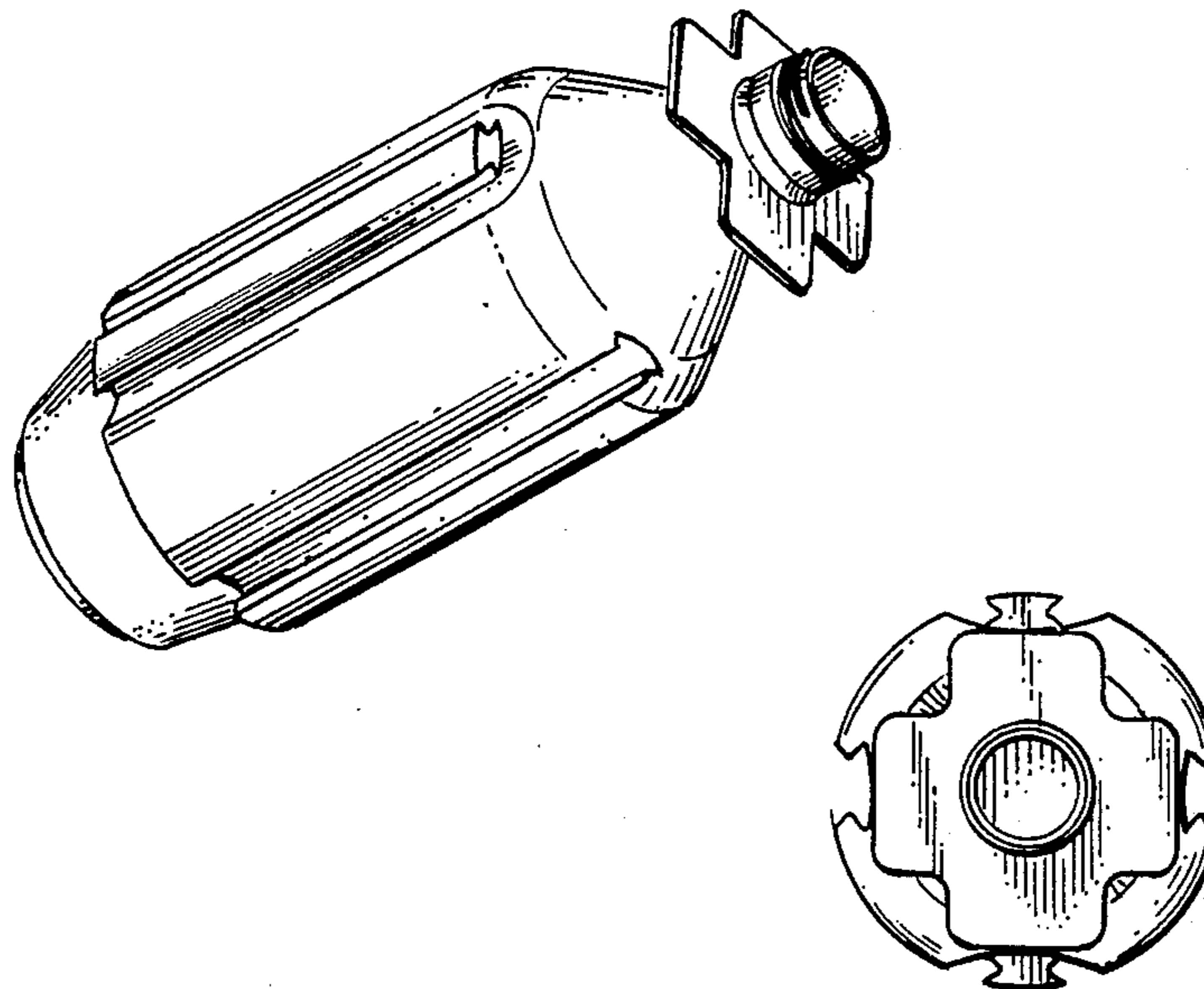
Primary Examiner—Bernard Ansher
Assistant Examiner—Ralf Seifert
Attorney, Agent, or Firm—Wall and Roehrig

[57] CLAIM

The ornamental design for an interconnectable beverage container, as shown and described.

DESCRIPTION

FIG. 1 is a perspective view of a beverage container embodying my new design;
FIG. 2 is a top plan view thereof;
FIG. 3 is a side elevation thereof, which is substantially identical with the opposite side elevation;
FIG. 4 is a front elevation thereof, which is substantially identical with the rear elevation; and
FIG. 5 is a bottom plan view thereof.



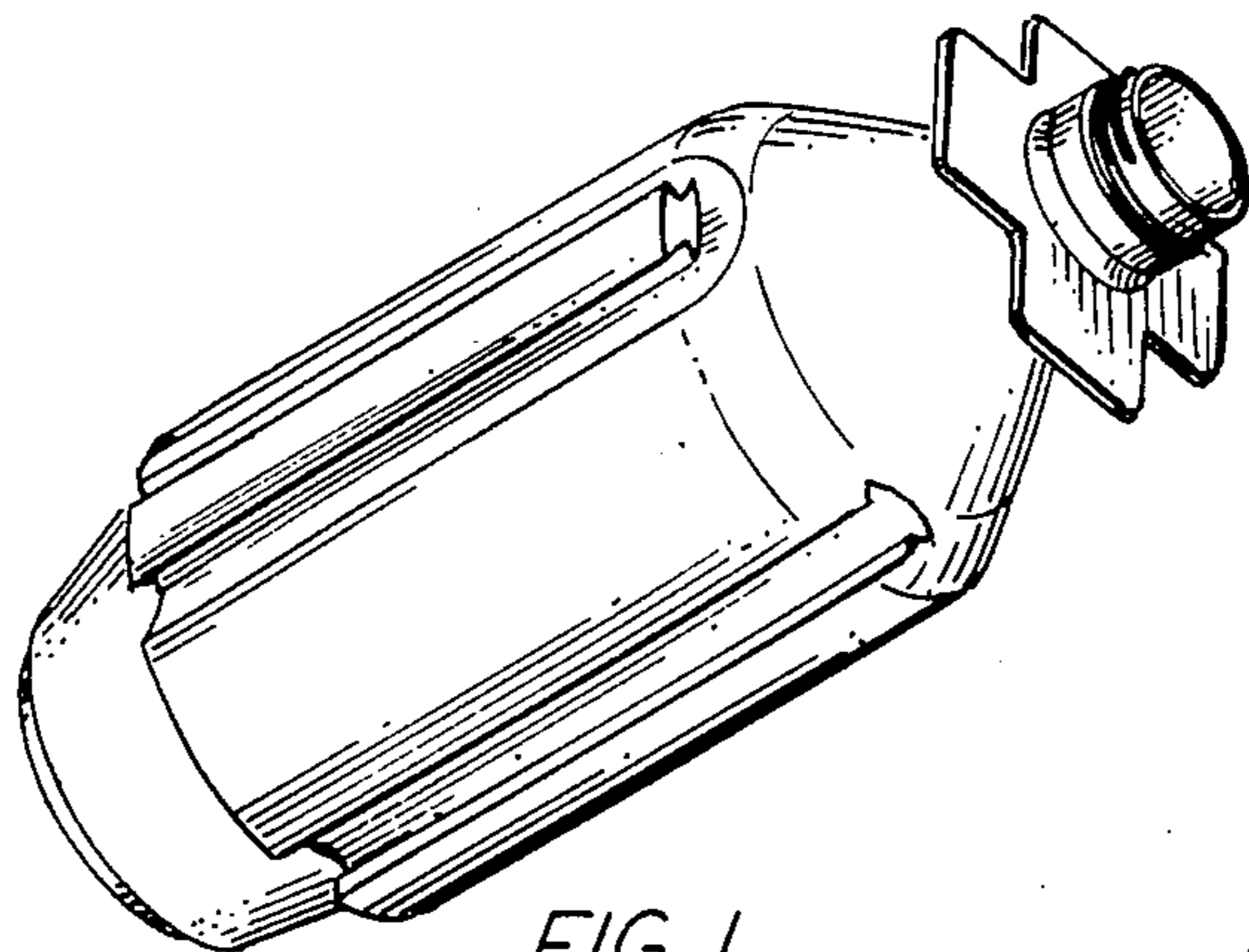


FIG. 1

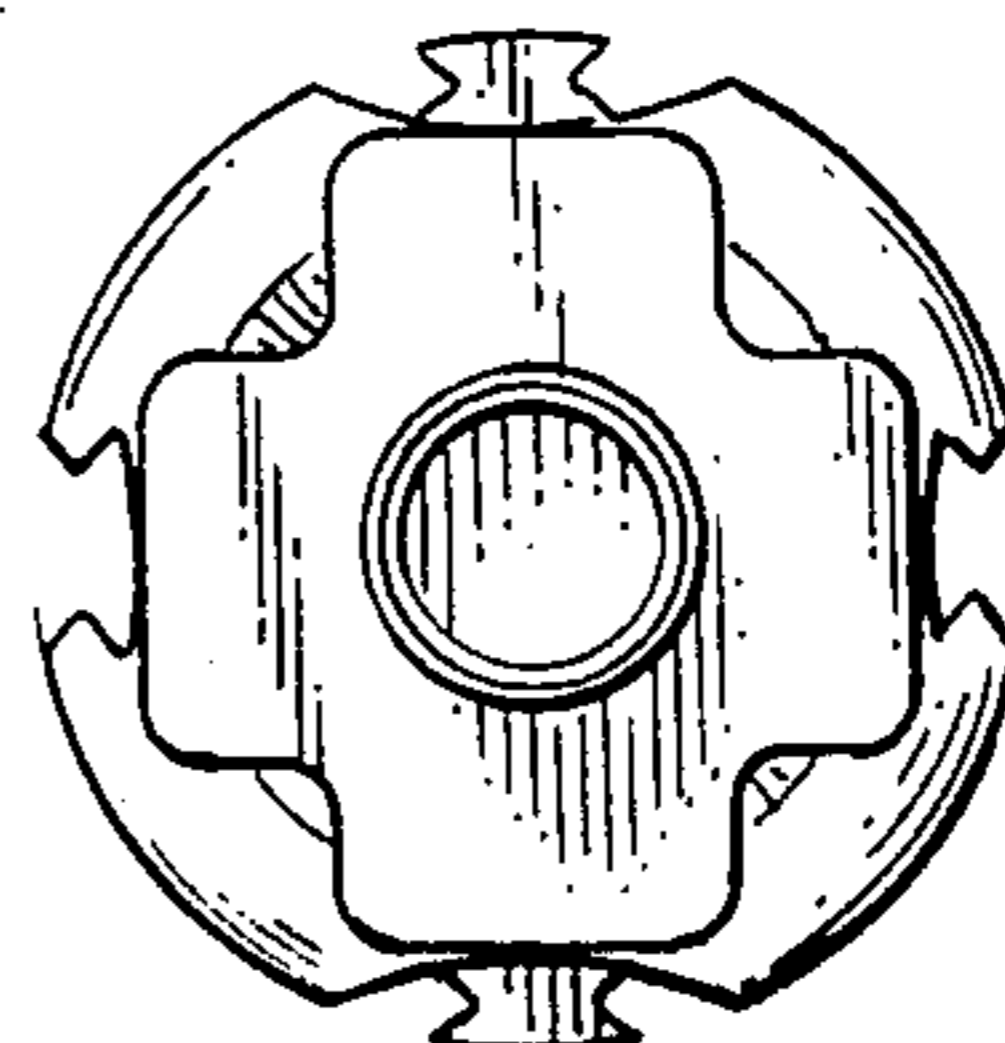


FIG. 2

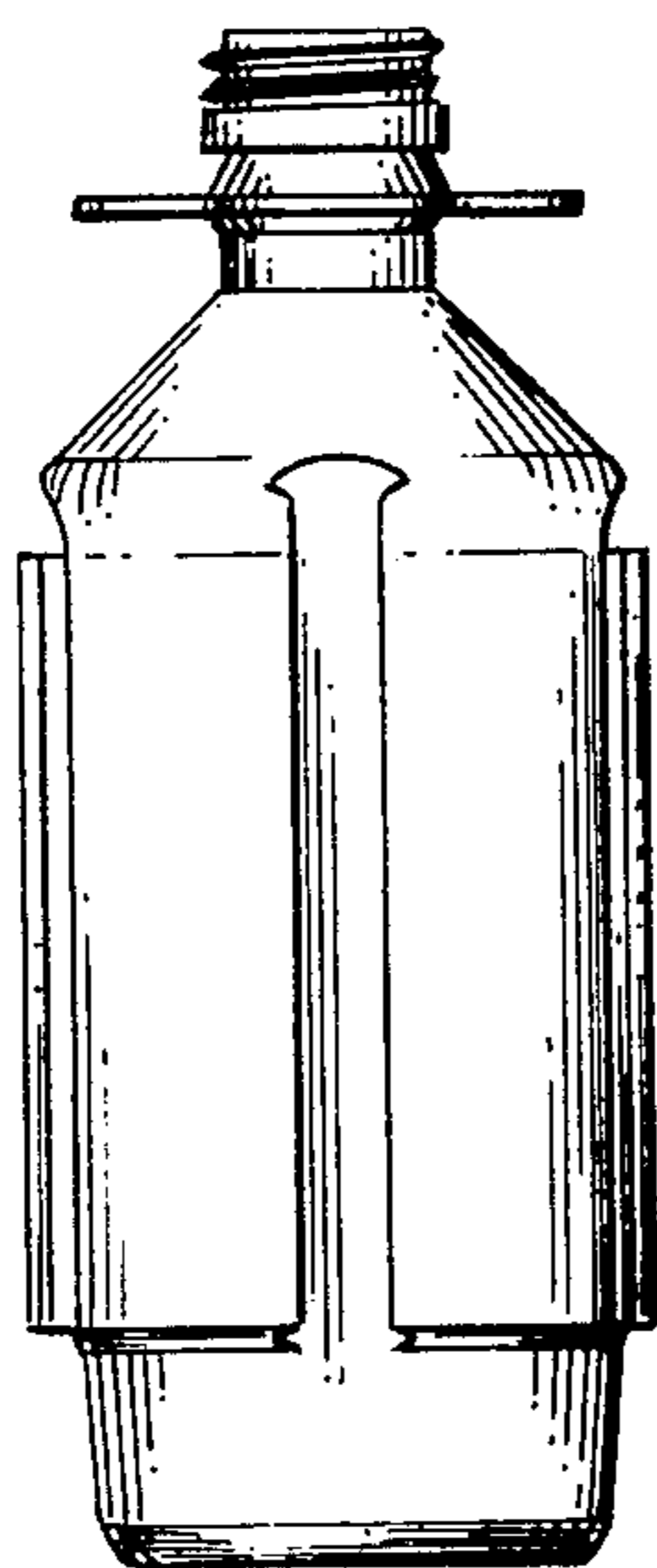


FIG. 3

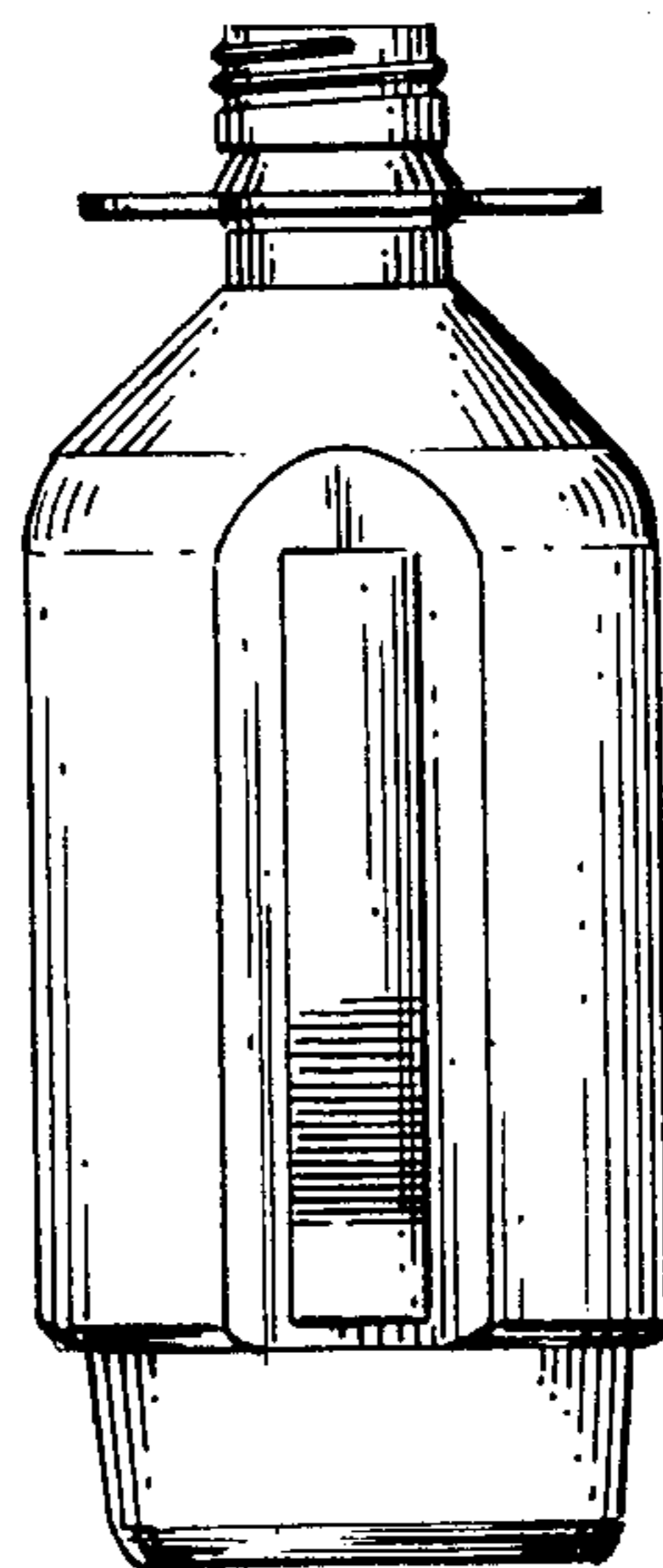


FIG. 4

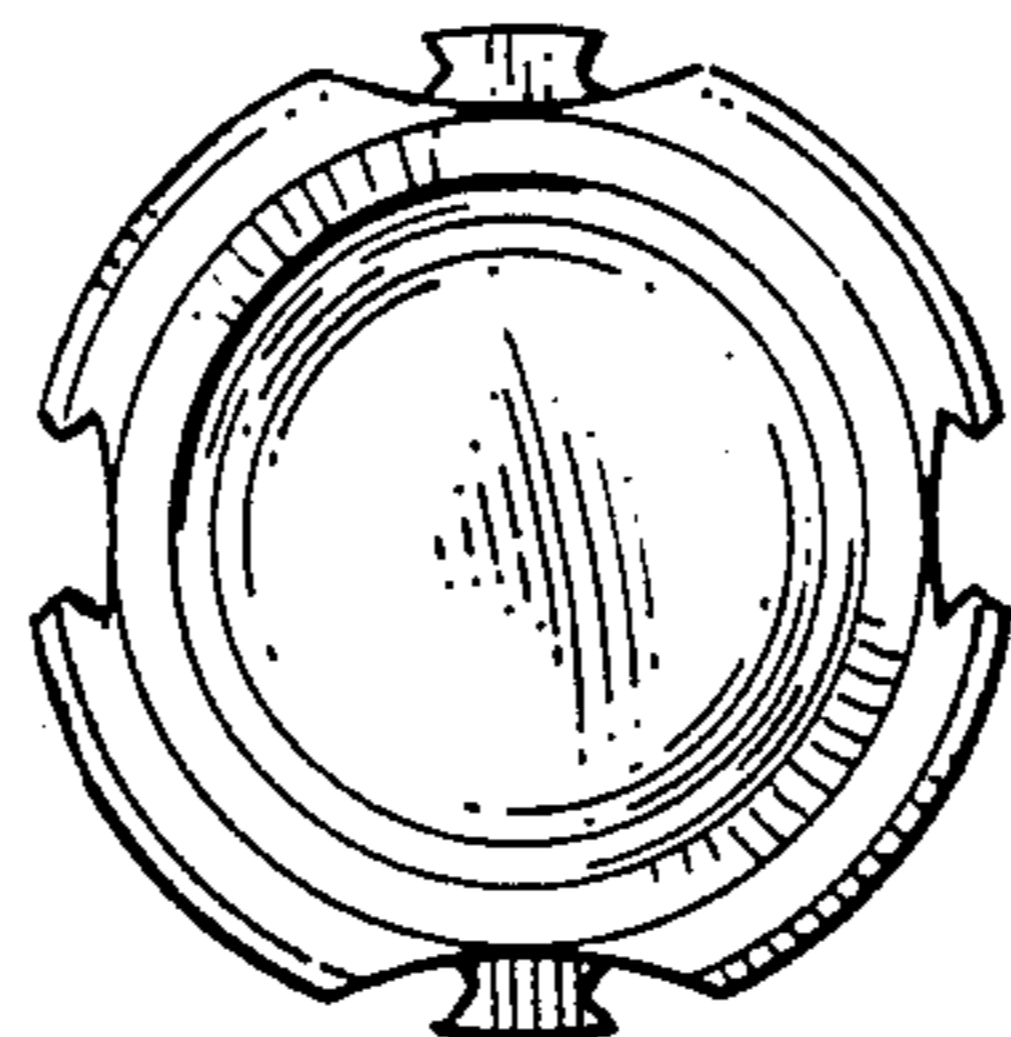


FIG. 5