

[54] DISPLAY HOOK

[75] Inventors: Melvin S. Furst, Weston; Michael L. Catacchio, Worcester; David C. Rasmusson, Norwell, all of Mass.

[73] Assignee: American Brush Company, Inc., Claremont, N.H.

[\*\*] Term: 14 Years

[21] Appl. No.: 819,251

[22] Filed: Jan. 14, 1986

[52] U.S. Cl. .... D8/363; D8/367

[58] Field of Search ..... D8/363, 367, 380, 381; 248/221.6, 339, 340; D6/552

[56] References Cited

U.S. PATENT DOCUMENTS

D. 191,609	10/1961	Gordon	.....	D8/367
D. 245,134	7/1977	Friedberg	.....	D8/363 X
D. 245,652	9/1977	Crysdale	.....	D8/363 X
D. 276,195	11/1984	Smith	.....	D6/553 X
D. 294,113	2/1988	Smyth	.....	D8/381 X
2,872,145	2/1959	Goldsholl	.....	D8/363 X
3,227,412	1/1966	Terlinde	.....	248/221.2
4,405,110	9/1983	Gibbons	.....	248/221.2

OTHER PUBLICATIONS

"Display Fixtures", by Lozier Store Fixtures, Box X4, at pp. 4 & 11.

"Fastback", Brochure by Southern Imperial, Inc.; at pp. 4 & 6 (F1 & Fasturst FTM-6).

Armstrong Brochure, Harger Brackets at pp. 48, 59 and 61.

Primary Examiner—Horace B. Fay, Jr.

Attorney, Agent, or Firm—Wolf, Greenfield & Sacks

[57] CLAIM

The ornamental design for a display hook, as shown and described.

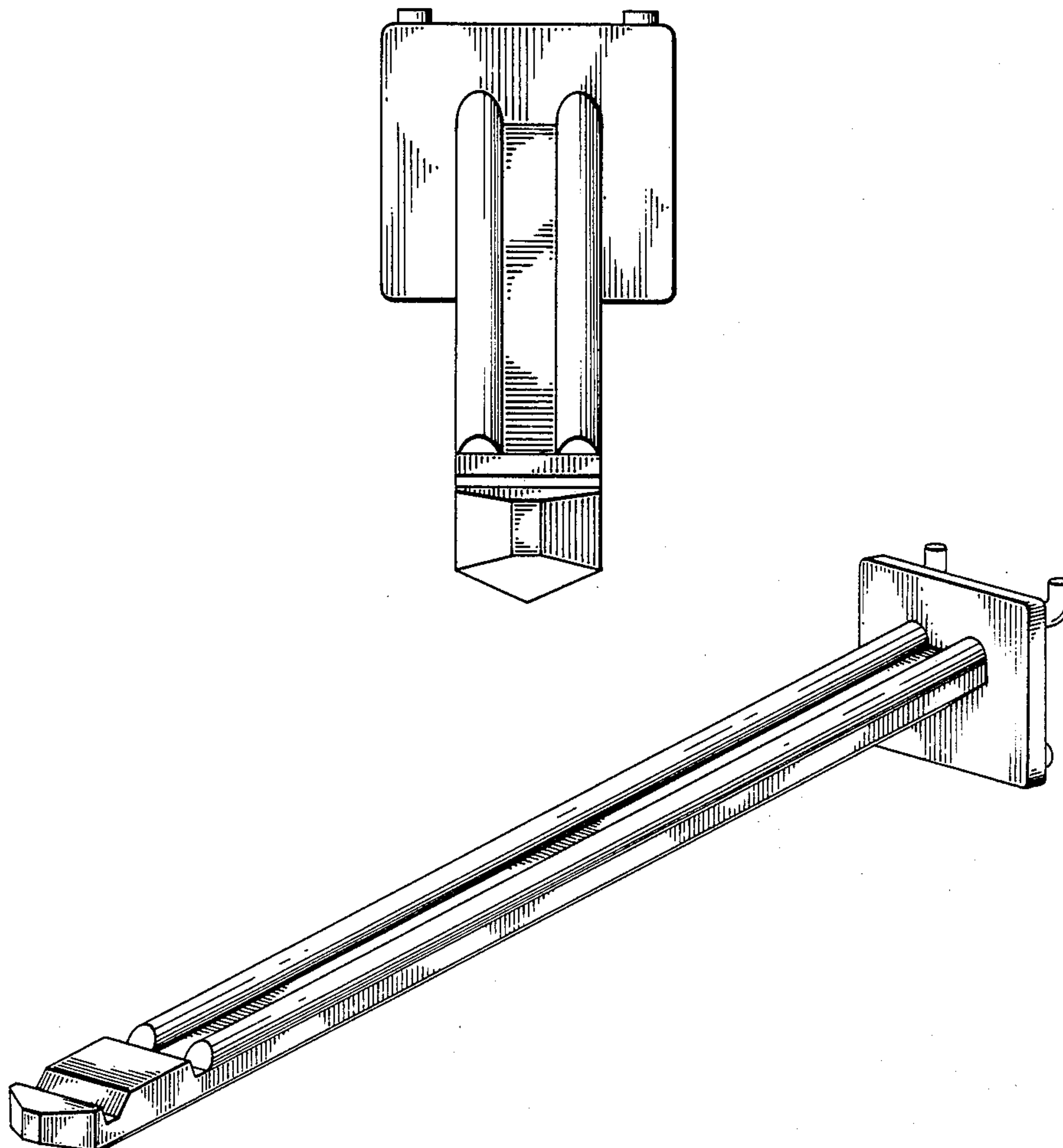
DESCRIPTION

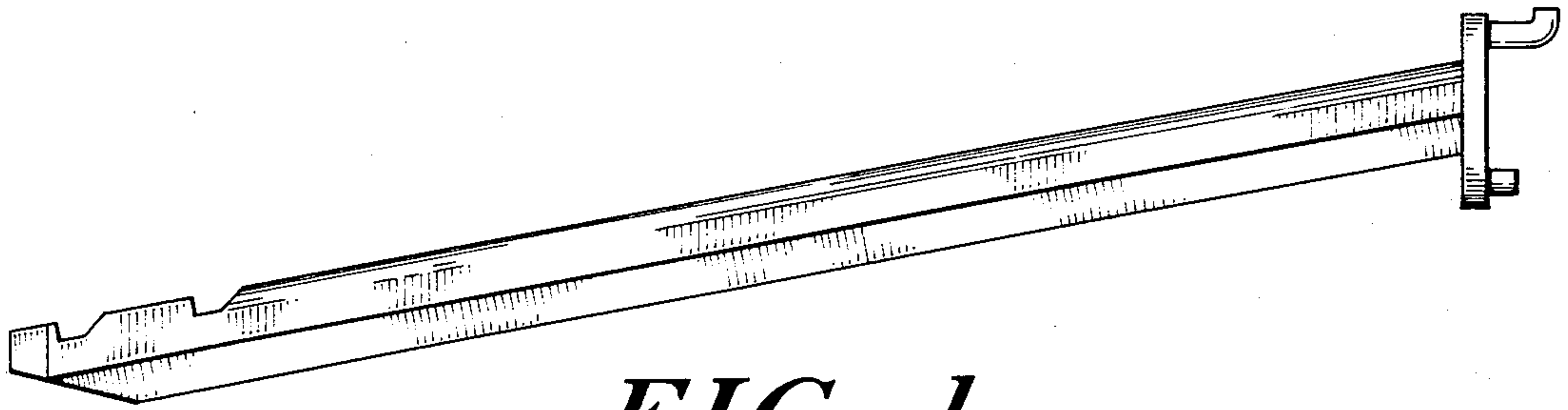
FIG. 1 is a left side elevational view of a display hook showing our new design, the side opposite being a mirror image;

FIGS. 2 and 3 are respectively top and bottom plan views thereof;

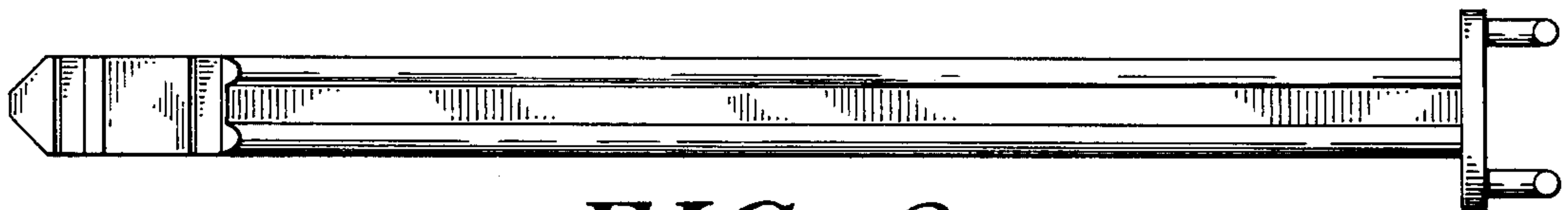
FIGS. 4 and 5 are respectively front and rear elevational views thereof; and,

FIG. 6 is a front, top and left side perspective view thereof.

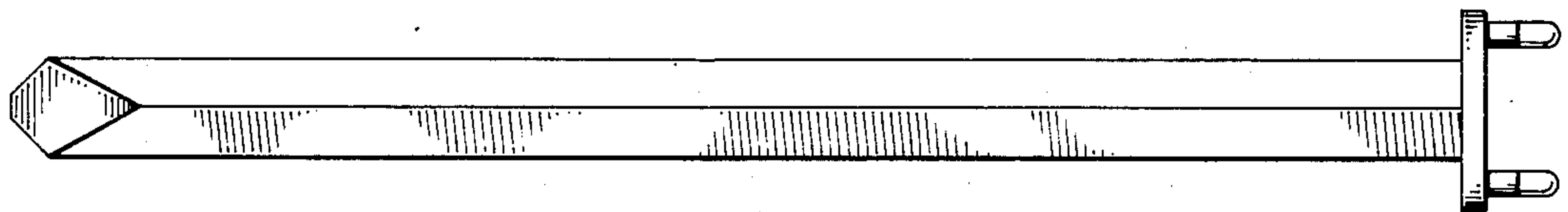




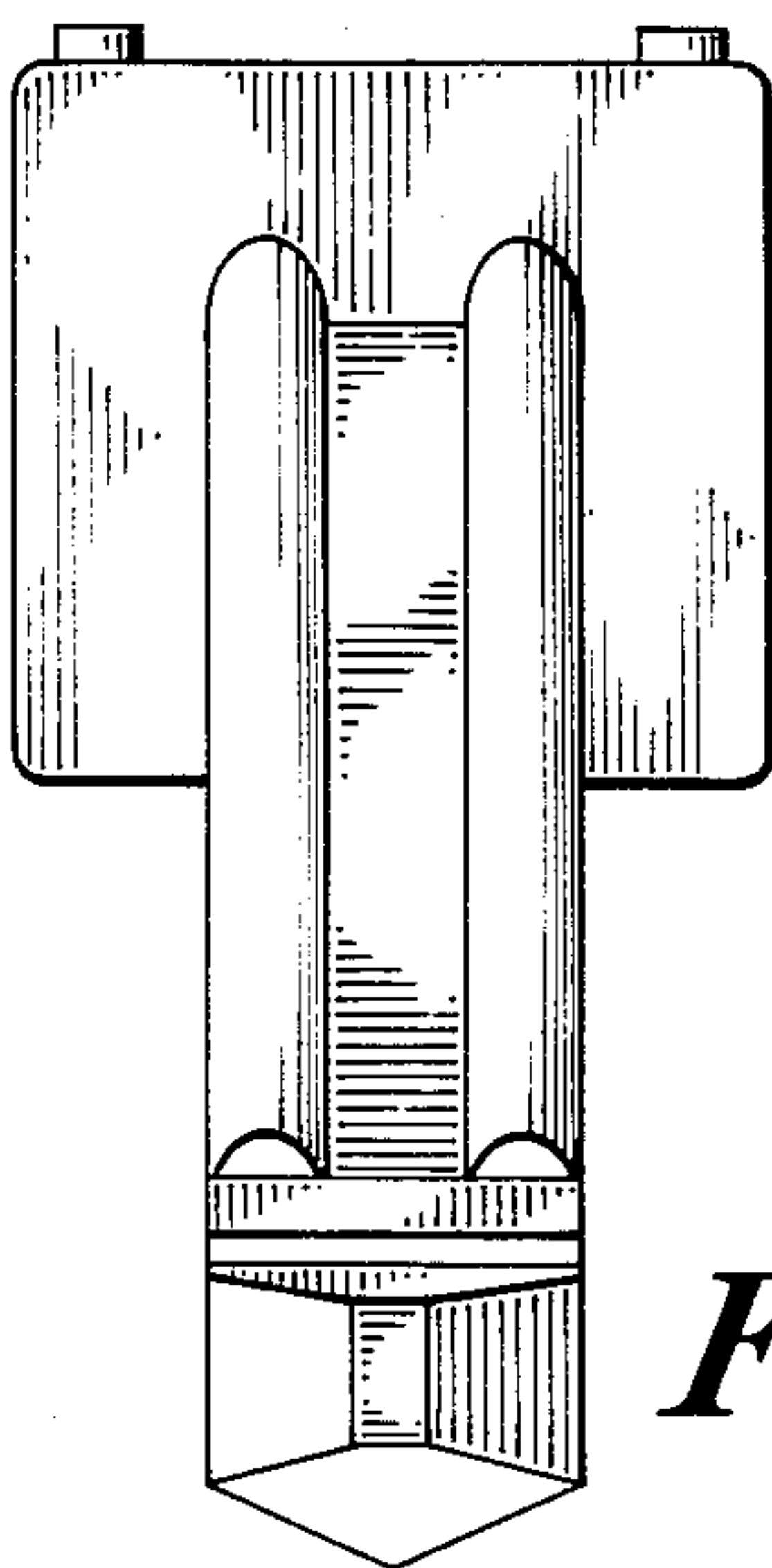
*FIG. 1*



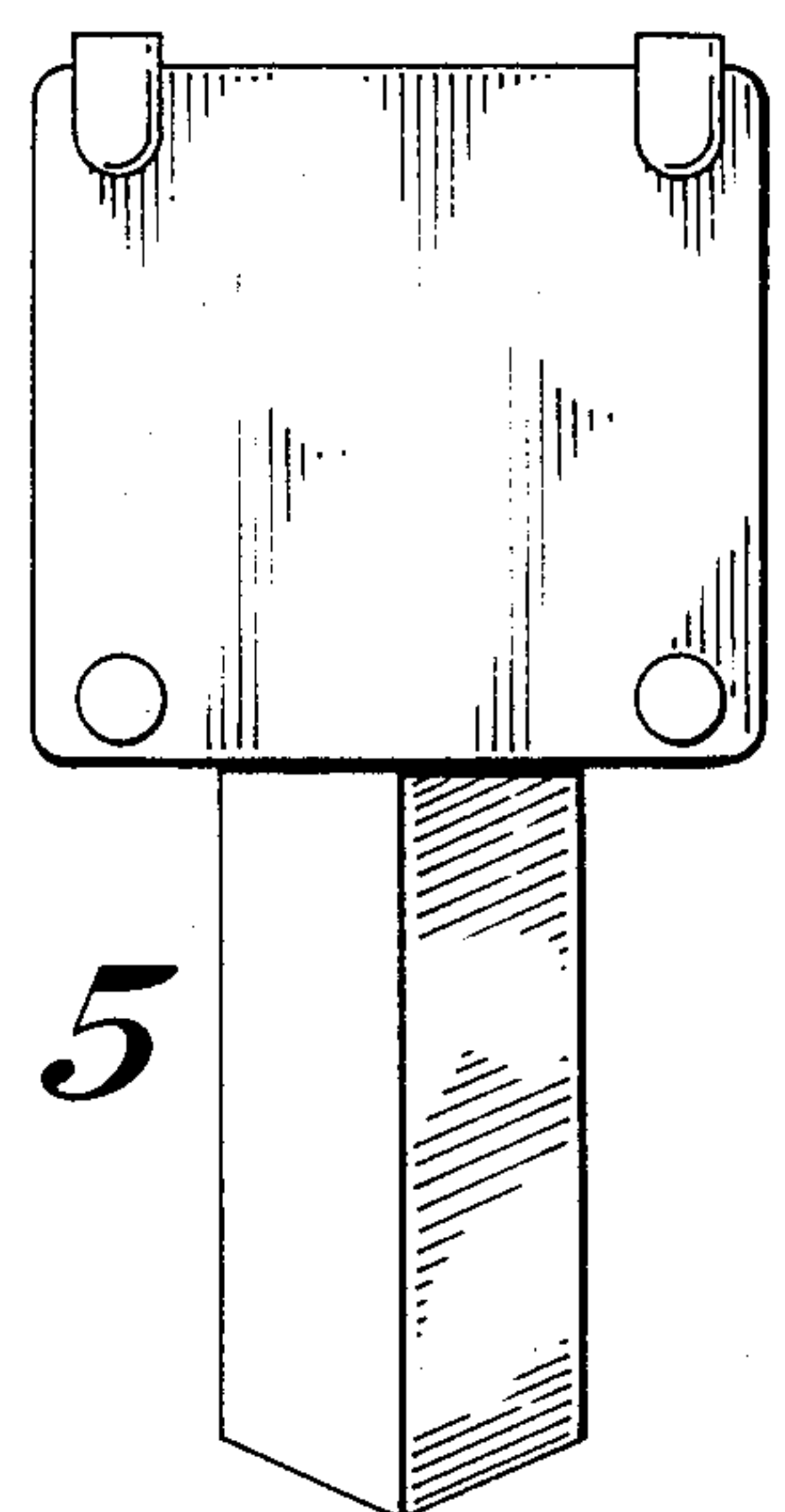
*FIG. 2*



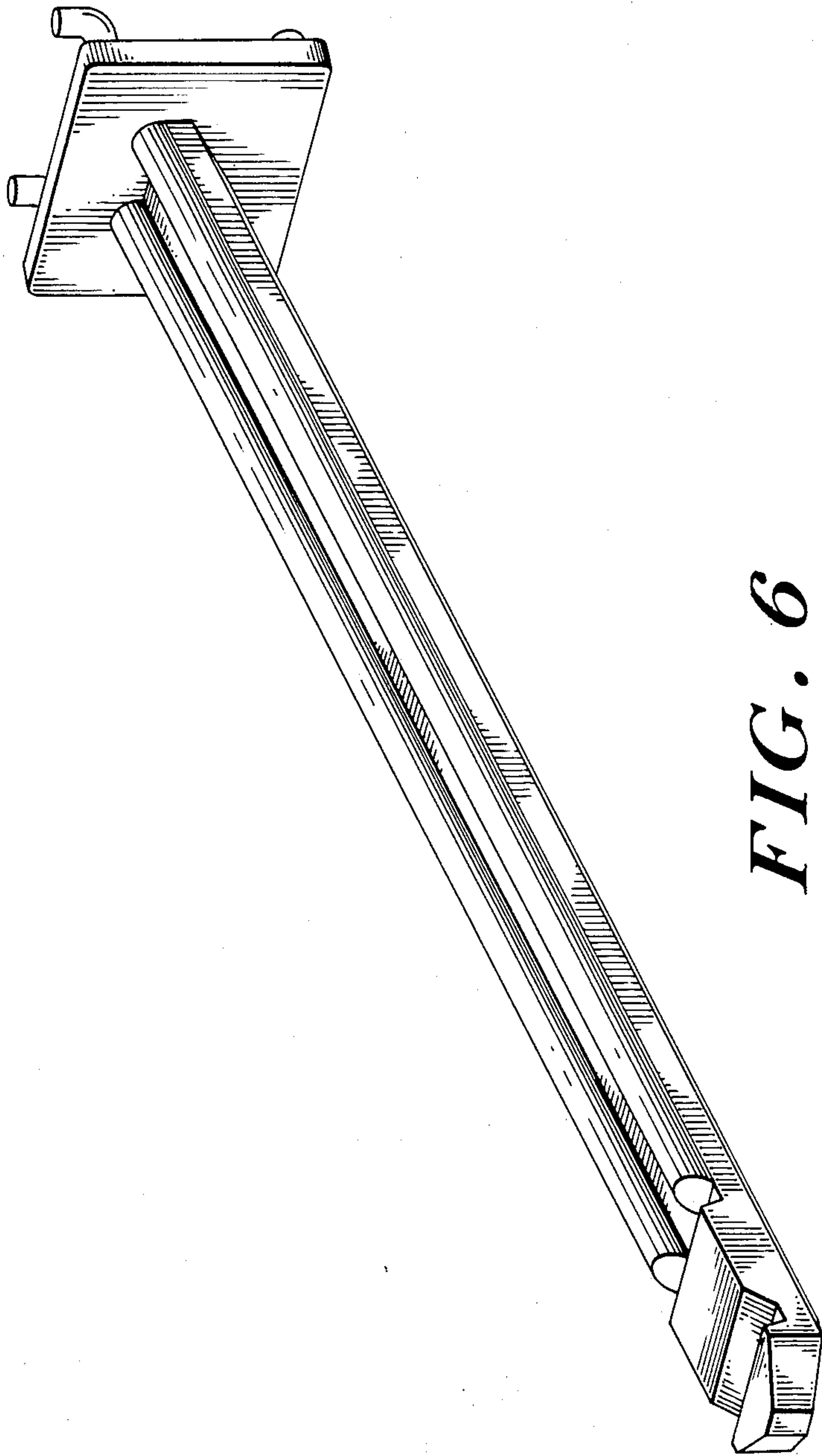
*FIG. 3*



*FIG. 4*



*FIG. 5*



*FIG. 6*