

[54] **COMBINED HANDLE AND ESCUTCHEON FOR DOORS, WINDOWS, OR THE LIKE**

[76] Inventor: **Mario Bellini**, Corso Venezia, 11, 20121 Milan, Italy

[**] Term: **14 Years**

[21] Appl. No.: **19,550**

[22] Filed: **Feb. 26, 1987**

[30] **Foreign Application Priority Data**

Sep. 2, 1986 [IT] Italy 22869/86[U]

[52] U.S. Cl. **D8/301; D8/308**

[58] Field of Search **D8/300, 301, 307, 308, D8/350, 353; 16/110 R; 74/523**

[56] **References Cited**

U.S. PATENT DOCUMENTS

D. 91,809 3/1934 Ferris D8/307
D. 190,562 6/1961 Schultz D8/308

FOREIGN PATENT DOCUMENTS

0895575 9/1953 Fed. Rep. of Germany 292/356

OTHER PUBLICATIONS

Schlage Cat.; Handcrafted; ©1974; p. 15; Sentinel Lever & Rose.

Paul Associates Cat.; p. 49; Levers 552 and 1096.

Sager Cat. No. 37; ©1937; p. 126; Lever 2338.

Primary Examiner—B. J. Bullock

Attorney, Agent, or Firm—Steinberg & Raskin

[57] **CLAIM**

The ornamental design for a combined handle and escutcheon for doors, windows, or the like, as shown.

DESCRIPTION

FIG. 1 is a top view of a combined handle and escutcheon for doors, windows, or the like showing my new design;

FIG. 2 is a perspective view thereof;

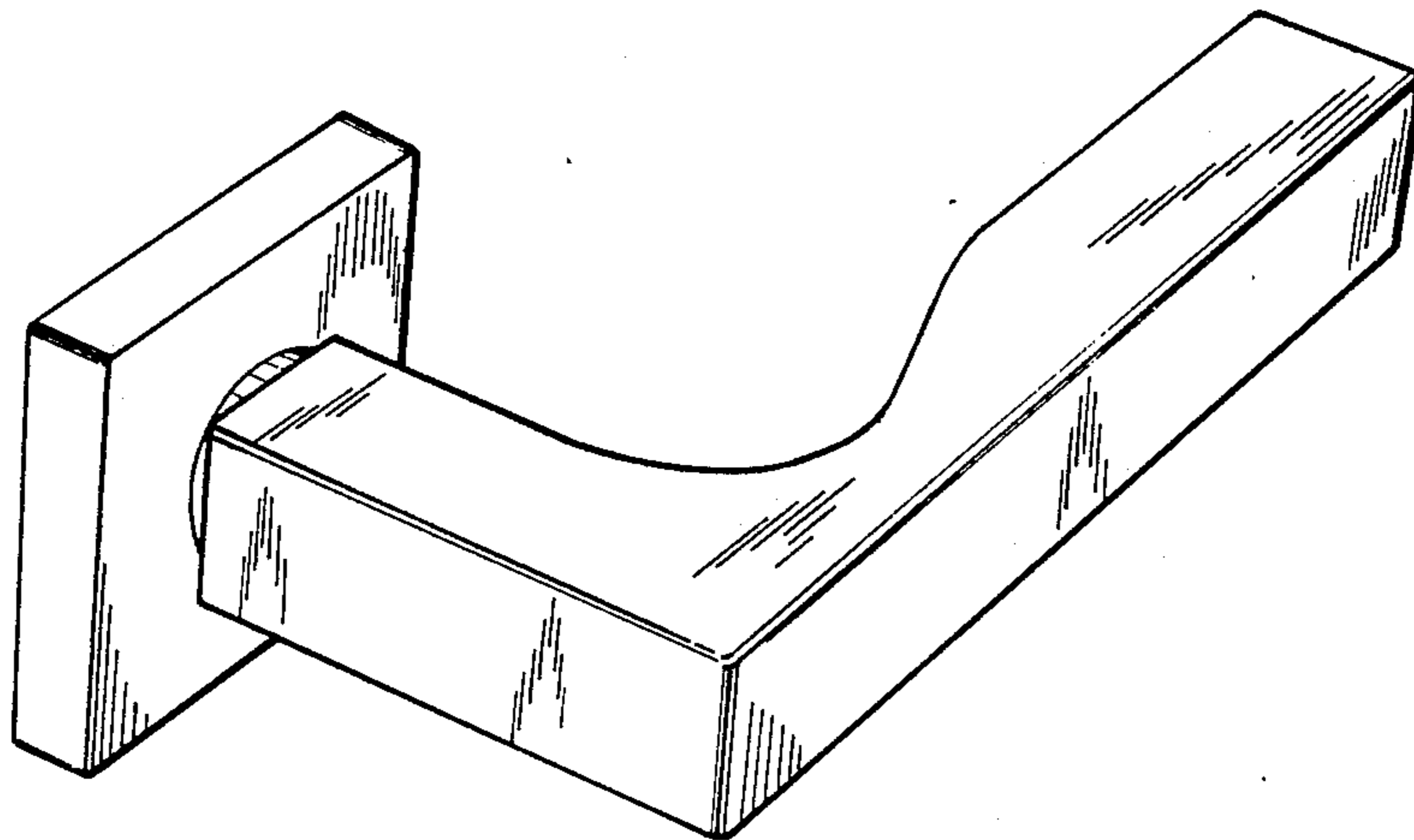
FIG. 3 is a bottom plan view thereof;

FIG. 4 is a right side view thereof;

FIG. 5 is a front view thereof;

FIG. 6 is a rear view thereof;

FIG. 7 is a left side view thereof.



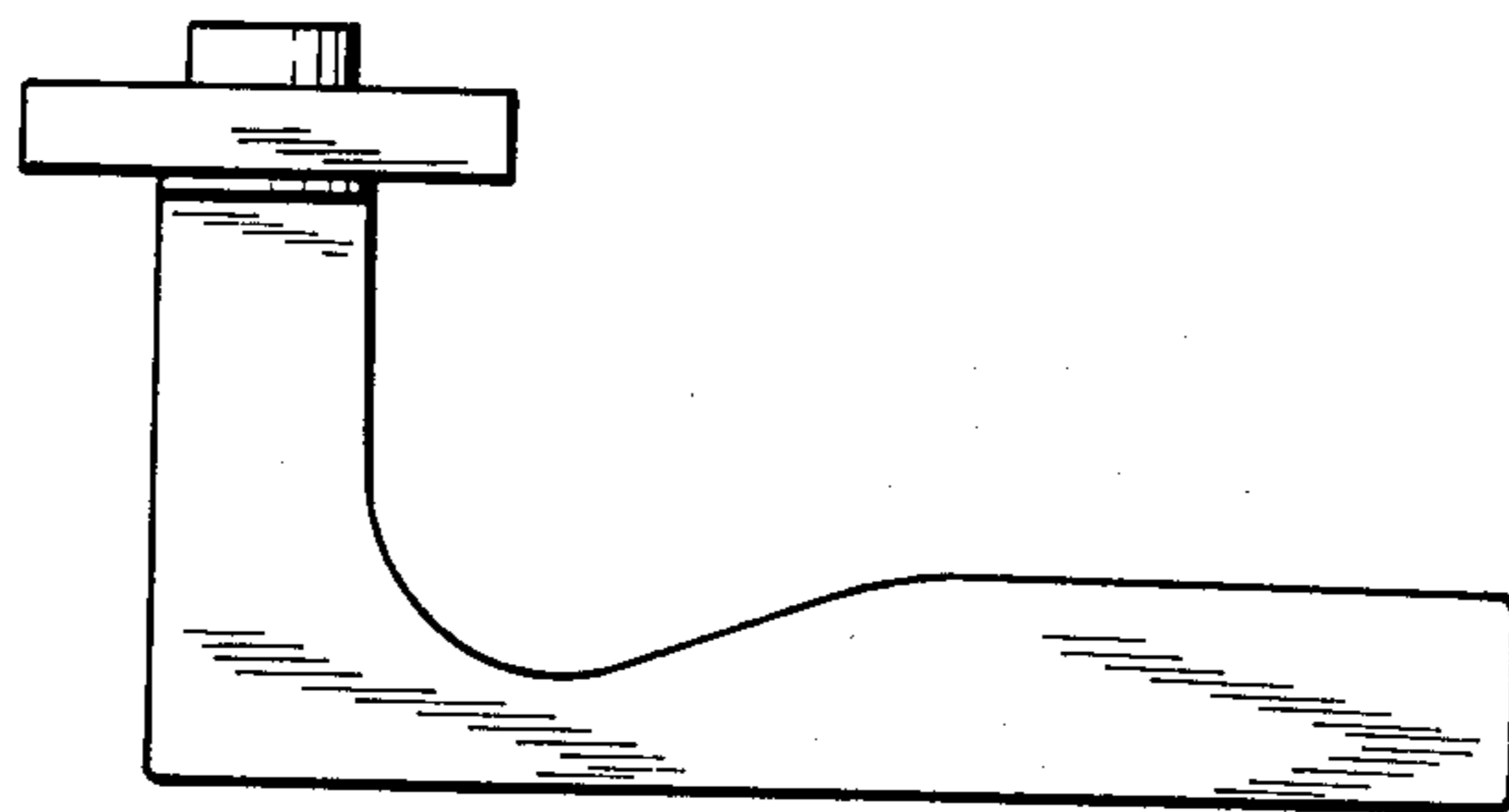


Fig. 1

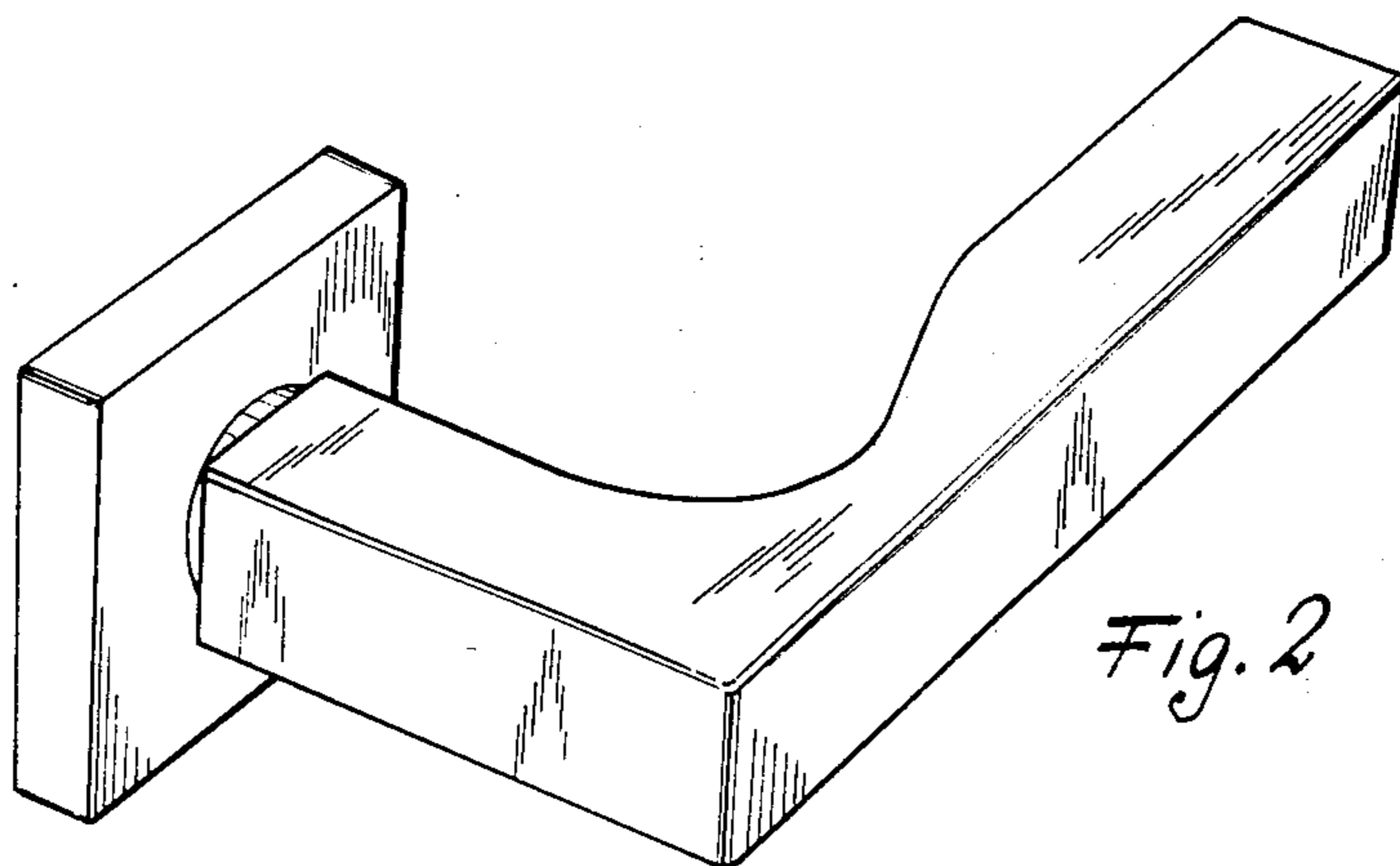


Fig. 2

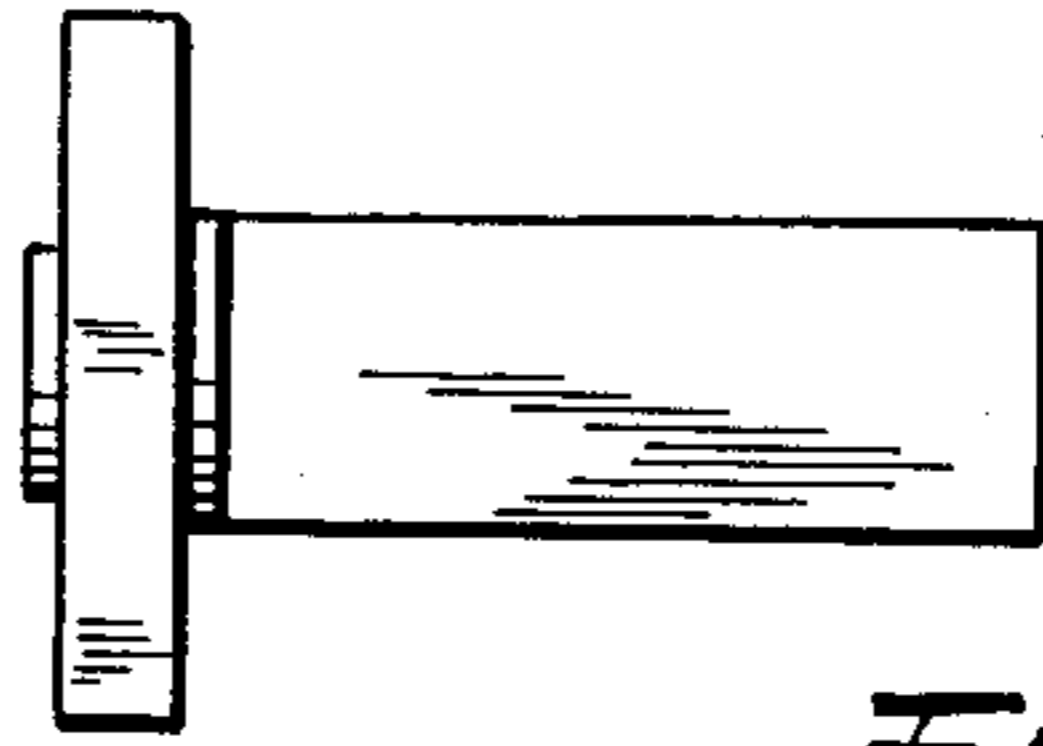


Fig. 7

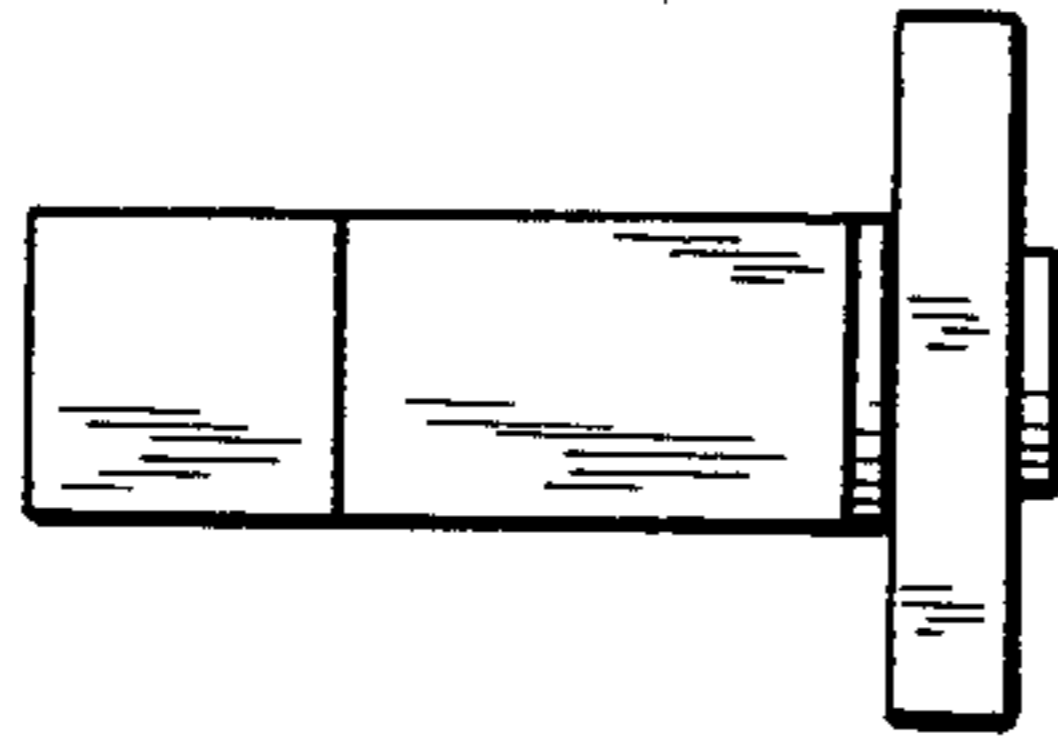


Fig. 4

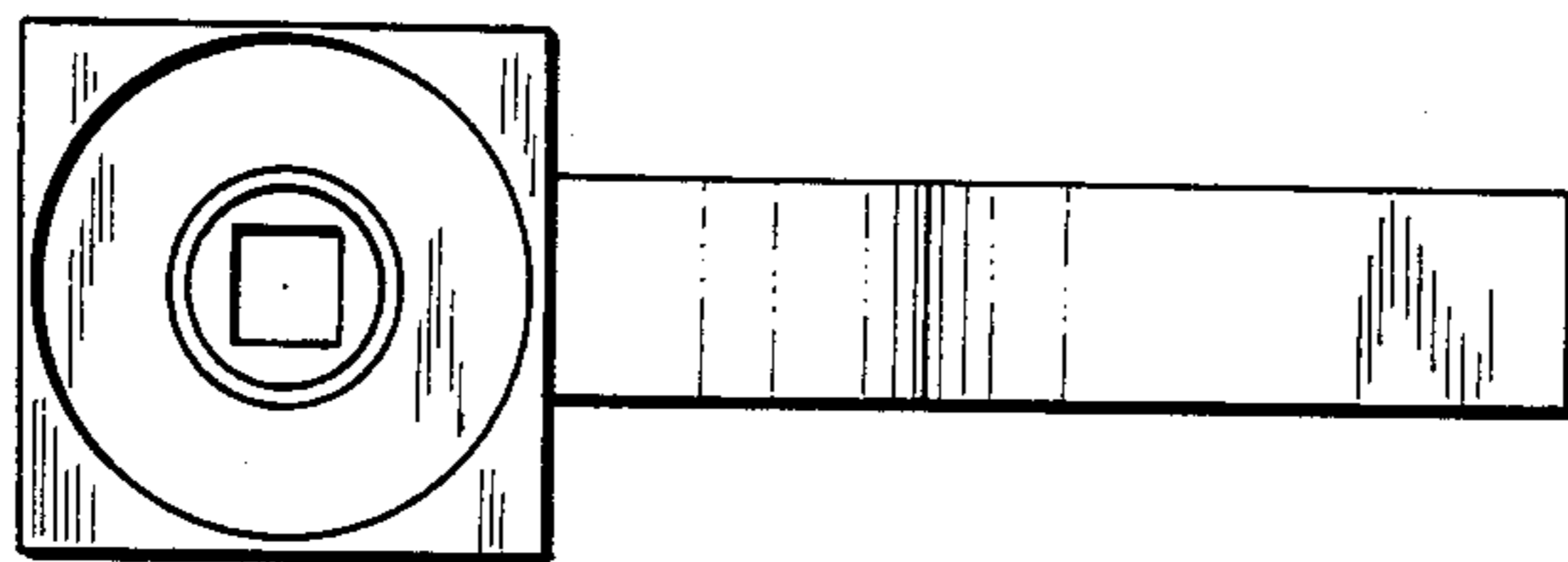


Fig. 6

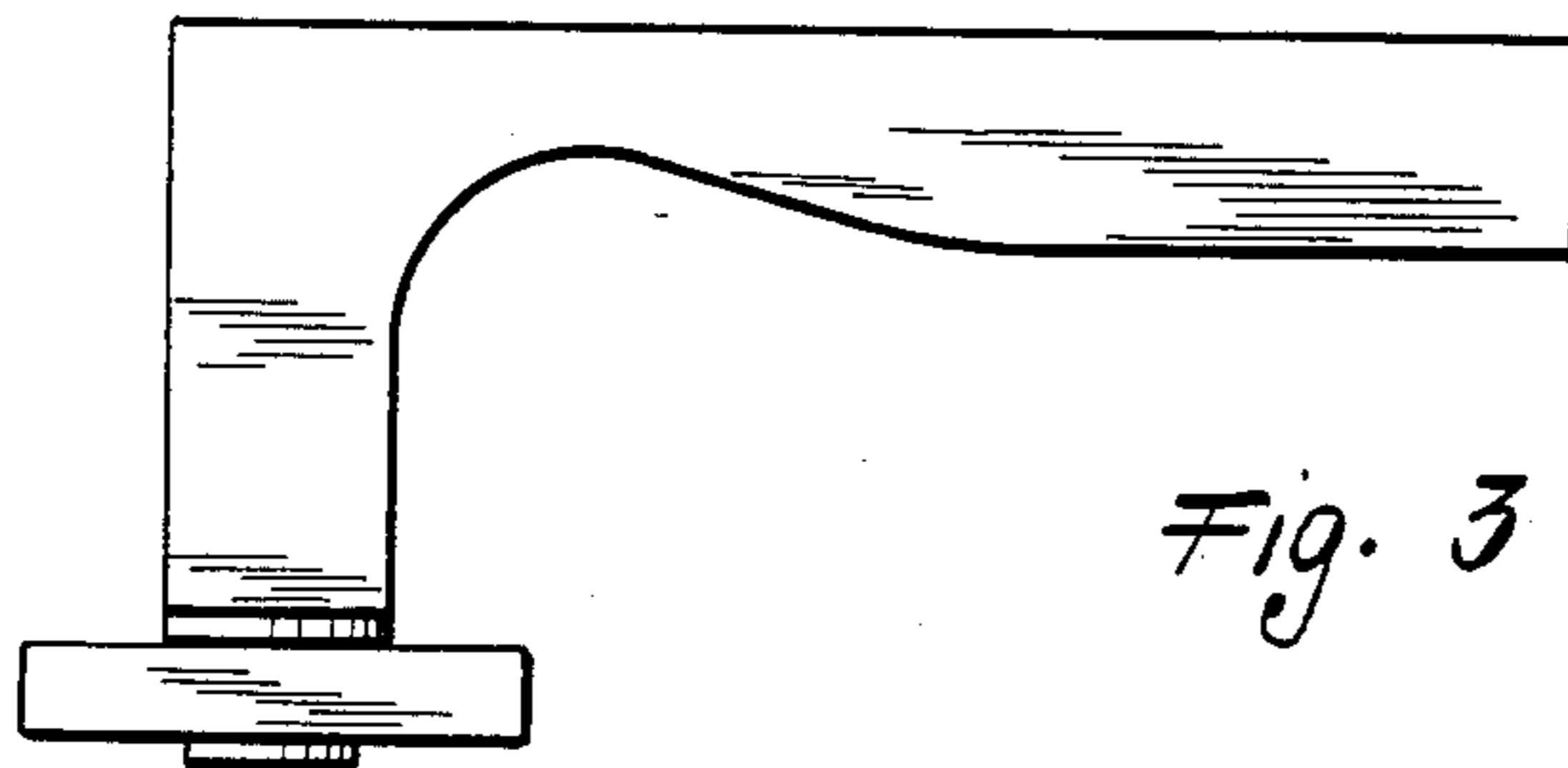


Fig. 3

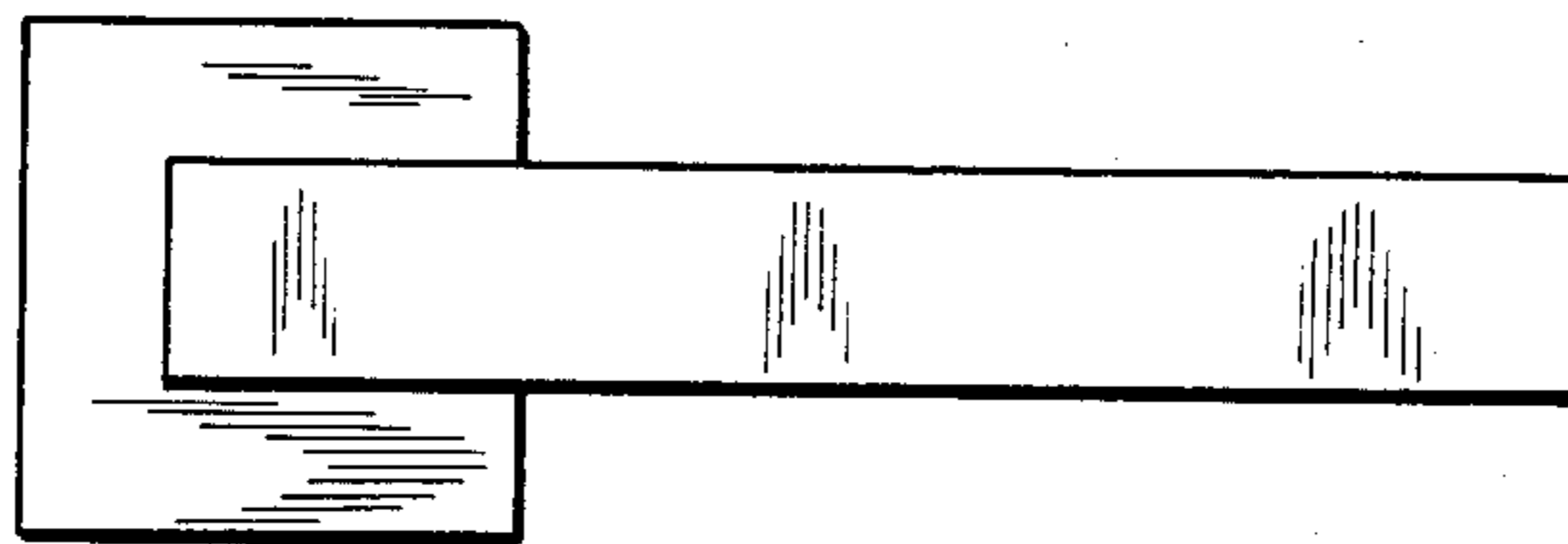


Fig. 5