

[54] COMBINED HOUSEHOLD ESPRESSO COFFEE MACHINE AND ELECTRIC COFFEE GRINDER

[75] Inventor: Virginio Cortese, Turin, Italy

[73] Assignee: Essegelle S.r.l., Torino, Italy

[**] Term: 14 Years

[21] Appl. No.: 760,194

[22] Filed: Jul. 29, 1985

[52] U.S. Cl. D7/305; D7/309; D7/373

[58] Field of Search D7/305, 309, 373, 310, D7/311, 312, 397-401, 300; 99/305, 286

[56] References Cited

U.S. PATENT DOCUMENTS

- D. 254,892 5/1980 Smit D7/310
- D. 254,893 5/1980 Smit D7/401 X
- D. 258,065 1/1981 Bardeau D7/309

FOREIGN PATENT DOCUMENTS

- 2330078 1/1974 Fed. Rep. of Germany 99/286

OTHER PUBLICATIONS

HFD-Retailing Home Furnishings, Apr. 19, 1982, sec. one, p. 26, top right, "Benjamin & Medwin Espresso 2000".

Bloomington's Spectacular Summer Home Sale, p. 25, bottom center #H push-button Avanti Espresso.

Primary Examiner—Winifred E. Herrmann
Attorney, Agent, or Firm—Klauber & Jackson

[57] CLAIM

The ornamental design for a combined household espresso coffee machine and electric coffee grinder, as shown and described.

DESCRIPTION

FIG. 1 is a front elevational view of a combined household espresso coffee machine and electric coffee grinder showing my new design;

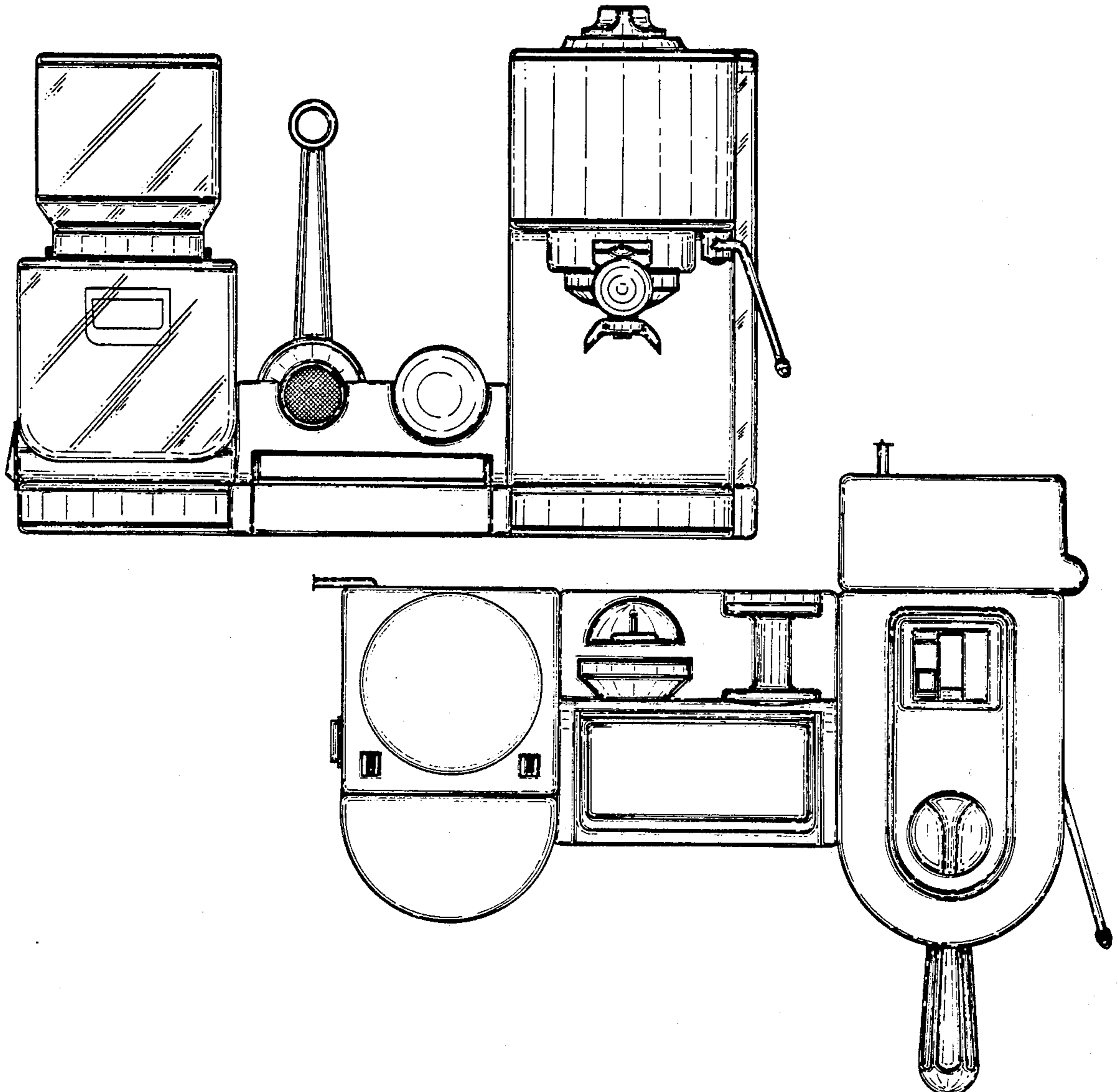
FIG. 2 is a left side elevational view thereof;

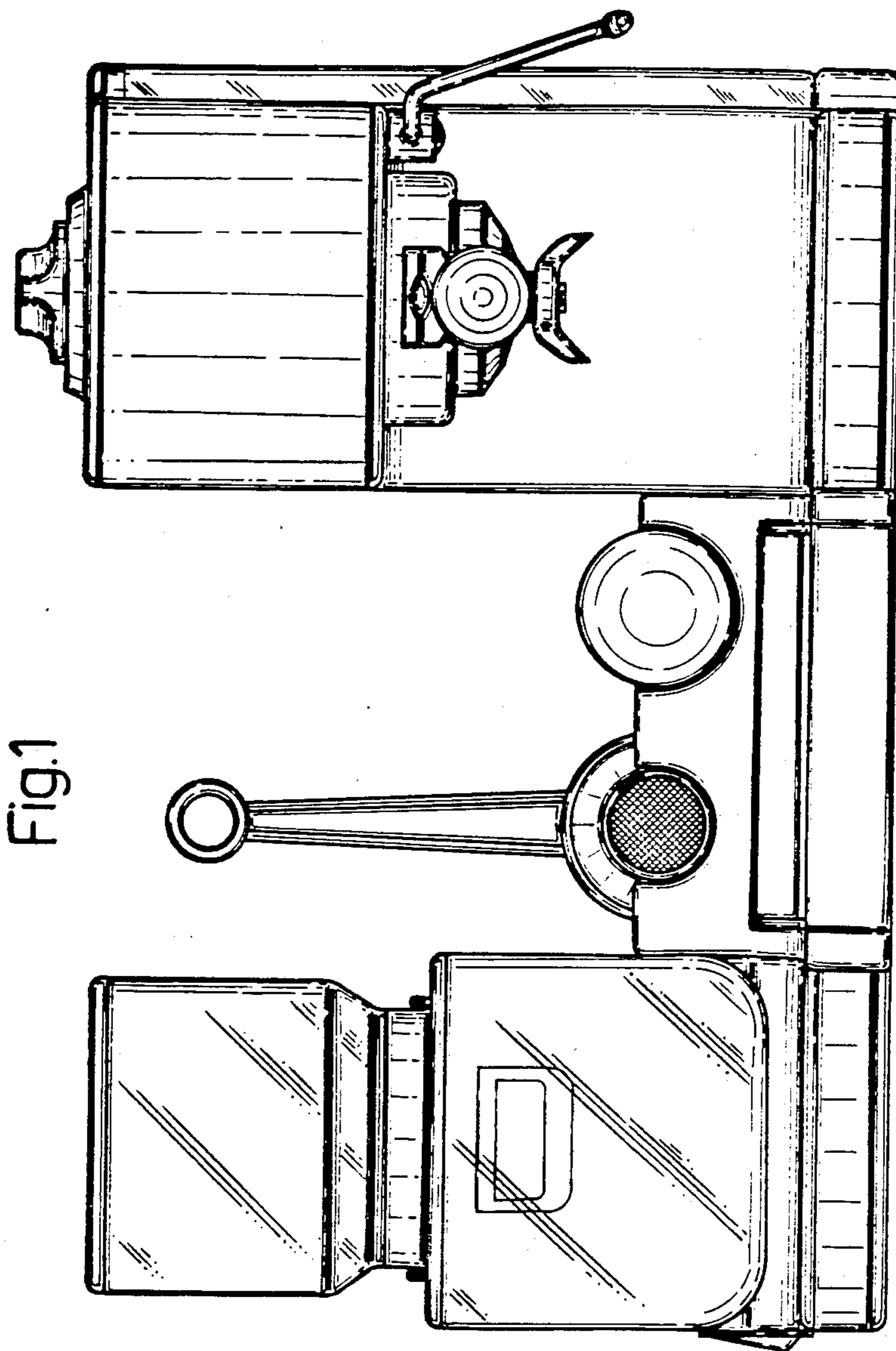
FIG. 3 is a right side elevational view thereof;

FIG. 4 is a rear elevational view thereof; and

FIG. 5 is a top plan view thereof;

The bottom of the claimed design is flat and unornamented.





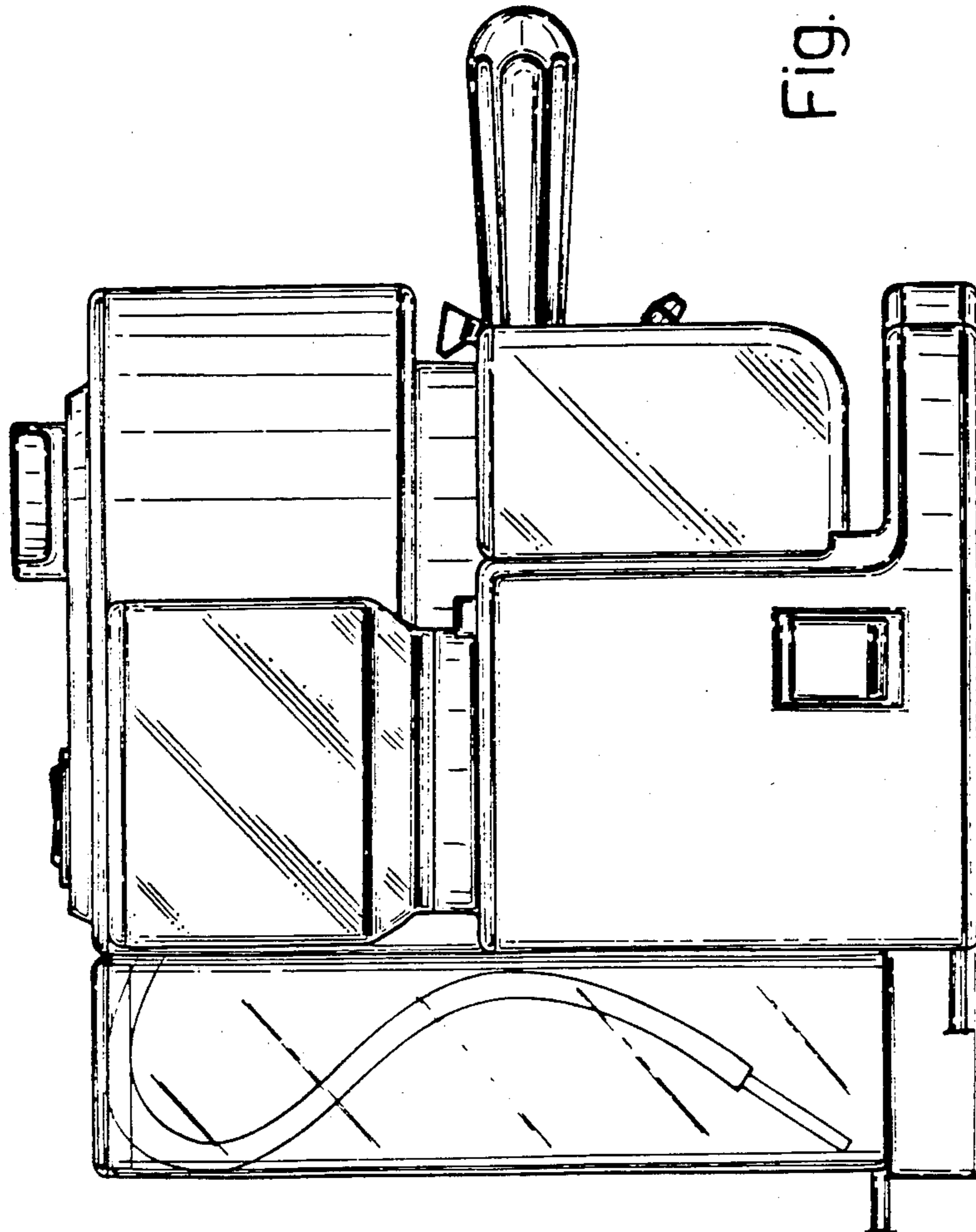
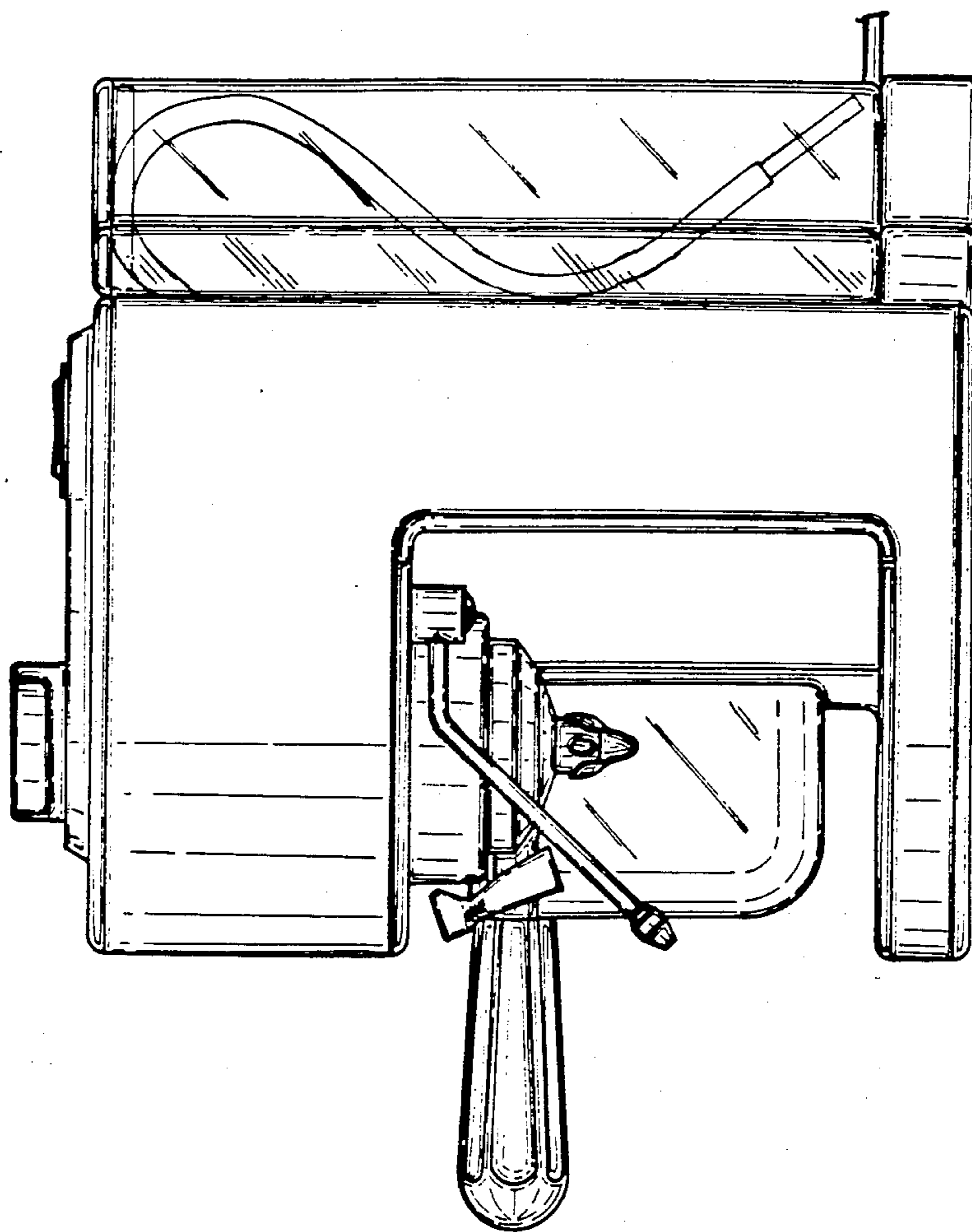
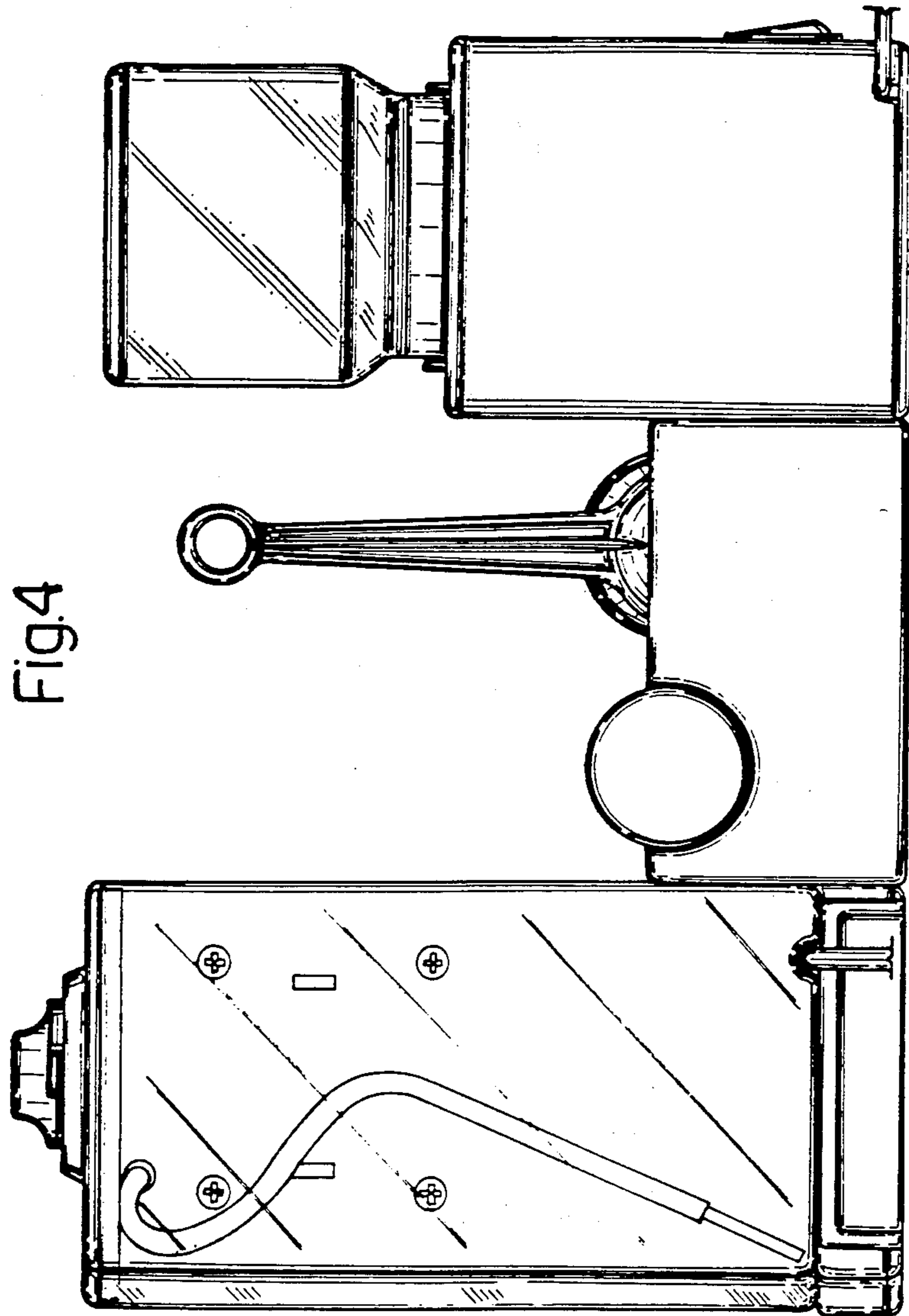


Fig. 2

Fig. 3





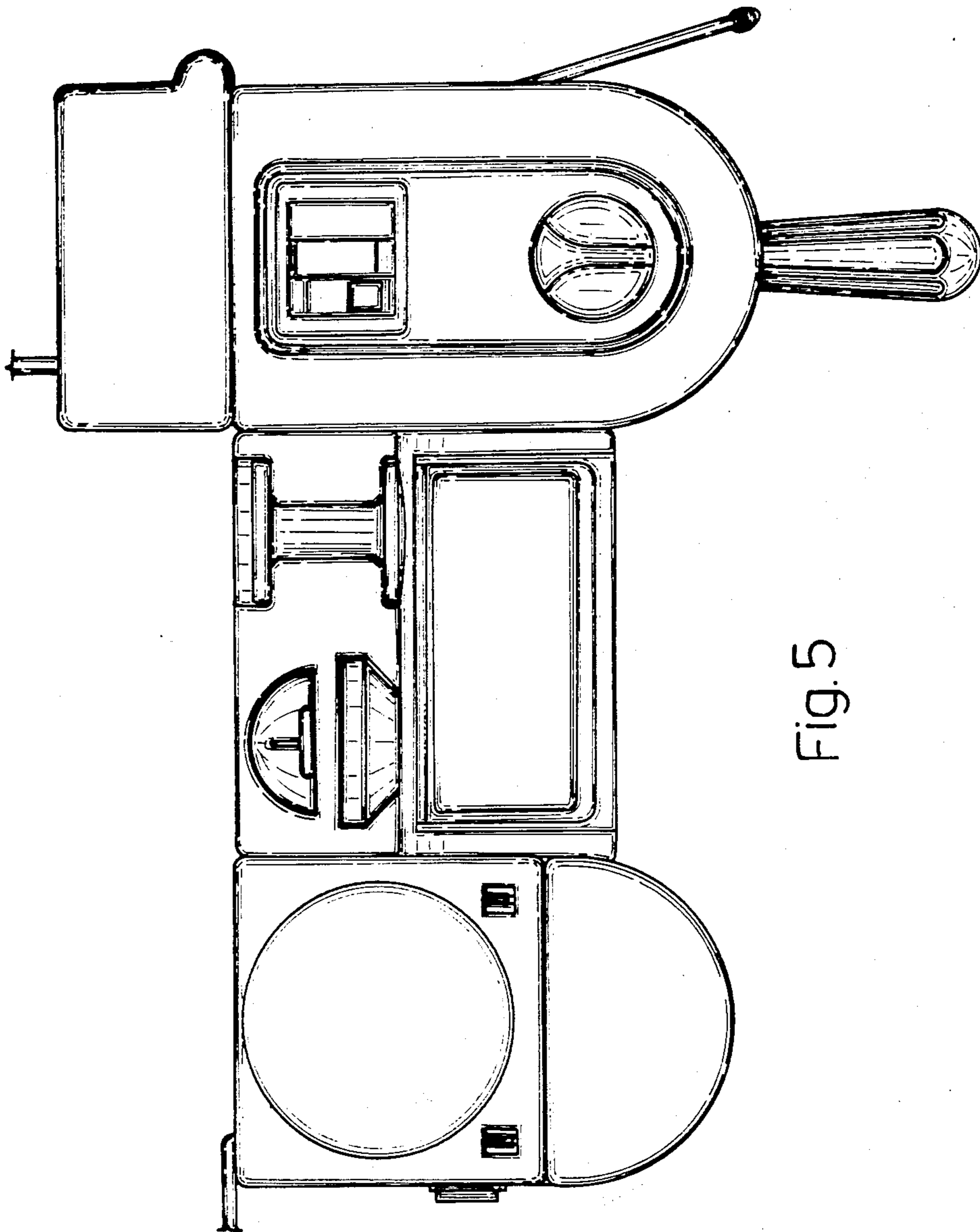


Fig. 5